



US00D896453S

(12) **United States Design Patent** (10) **Patent No.:** **US D896,453 S**  
**No et al.** (45) **Date of Patent:** **\*\* Sep. 15, 2020**

(54) **WASHING MACHINE**

37/225; D06F 37/24; D06F 37/267; D06F 37/28; D06F 37/36; D06F 37/40; D06F 39/005; D06F 39/006; D06F 39/007; D06F 39/024; D06F 39/12; D06F 39/14; D06F 58/20

(71) Applicant: **LG ELECTRONICS INC.**, Seoul (KR)

(72) Inventors: **Yanghwan No**, Seoul (KR); **Minkyu Oh**, Seoul (KR); **Seongwoo An**, Seoul (KR); **Yongnam Kim**, Seoul (KR)

See application file for complete search history.

(73) Assignee: **LG ELECTRONICS INC.**, Seoul (KR)

(56) **References Cited**

(\*\*) Term: **15 Years**

(21) Appl. No.: **35/507,429**

(22) Filed: **Nov. 22, 2018**

(80) **Hague Agreement Data**

Int. Filing Date: **Nov. 22, 2018**  
Int. Reg. No.: **DM/202706**  
Int. Reg. Date: **Nov. 22, 2018**  
Int. Reg. Pub. Date: **Sep. 13, 2019**

U.S. PATENT DOCUMENTS

|          |   |   |         |            |       |       |
|----------|---|---|---------|------------|-------|-------|
| D139,126 | S | * | 10/1944 | Gerhardt   | ..... | D32/6 |
| D153,921 | S | * | 5/1949  | Boldt      | ..... | D32/6 |
| D178,004 | S | * | 6/1956  | Nadherny   | ..... | D32/6 |
| D476,782 | S | * | 7/2003  | Huddleston | ..... | D32/6 |
| D688,013 | S | * | 8/2013  | Kim        | ..... | D32/6 |
| D764,723 | S | * | 8/2016  | Jo         | ..... | D32/6 |
| D781,510 | S | * | 3/2017  | Glassman   | ..... | D32/6 |
| D825,868 | S | * | 8/2018  | Chung      | ..... | D32/6 |
| D838,063 | S | * | 1/2019  | Ha         | ..... | D32/6 |
| D838,419 | S | * | 1/2019  | Ha         | ..... | D32/6 |
| D839,504 | S | * | 1/2019  | Ha         | ..... | D32/6 |
| D867,693 | S | * | 11/2019 | Wang       | ..... | D32/6 |

\* cited by examiner

*Primary Examiner* — Khawaja Anwar

(74) *Attorney, Agent, or Firm* — Birch, Stewart, Kolasch & Birch, LLP

(30) **Foreign Application Priority Data**

May 28, 2018 (KR) ..... 30-2018-0024700

(51) **LOC (12) Cl.** ..... **15-05**

(52) **U.S. Cl.**  
USPC ..... **D32/6**

(58) **Field of Classification Search**

USPC ..... D32/1, 5, 6, 8, 10, 25, 28, 29, 29.1  
CPC ..... D06F 33/02; D06F 37/22; D06F 39/02; D06F 2058/2864; D06F 2058/287; D06F 2204/086; D06F 35/006; D06F 37/265; D06F 37/268; D06F 58/206; D06F 58/28; D06F 13/00; D06F 13/02; D06F 17/06; D06F 17/10; D06F 2202/085; D06F 2202/10; D06F 2202/12; D06F 2204/04; D06F 2204/065; D06F 2204/082; D06F 2222/00; D06F 23/04; D06F 25/00; D06F 29/005; D06F 37/02; D06F 37/04; D06F 37/14; D06F 37/203; D06F 37/206; D06F

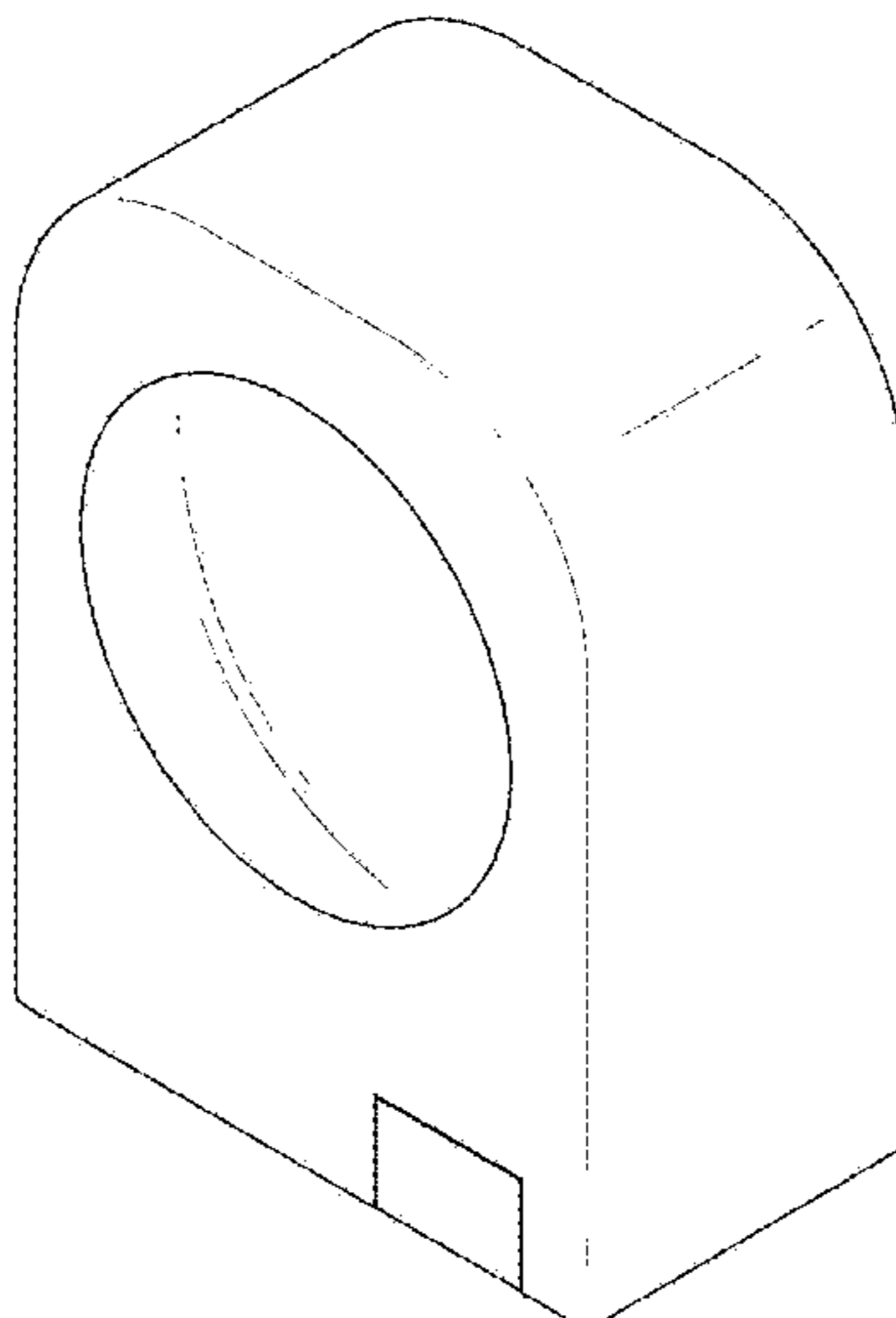
(57) **CLAIM**

The ornamental design for washing machine, as shown and described.

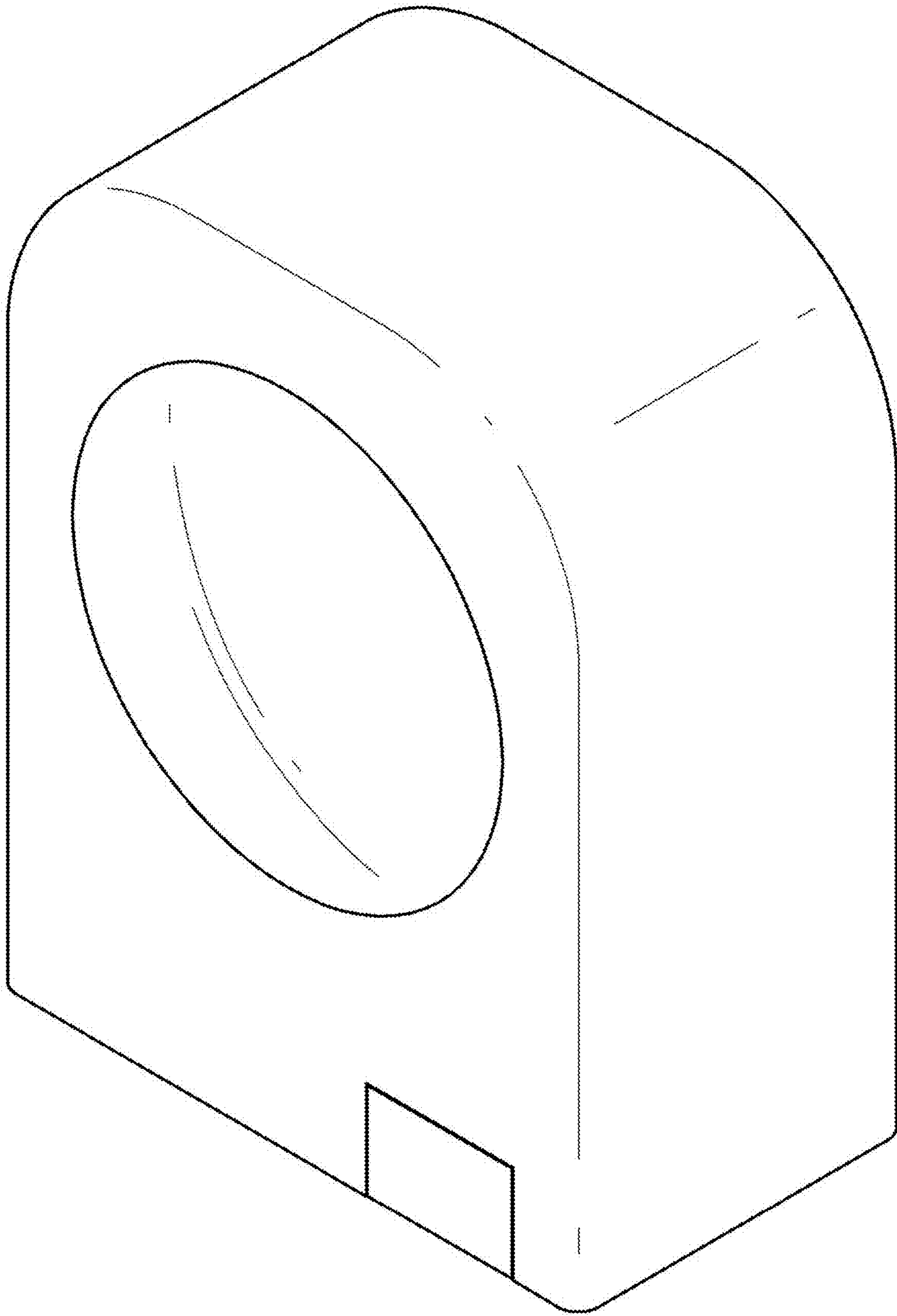
**DESCRIPTION**

- 1. Washing machine
- 1.1 : Perspective
- 1.2 : Front
- 1.3 : Back
- 1.4 : Left
- 1.5 : Right
- 1.6 : Top
- 1.7 : Bottom

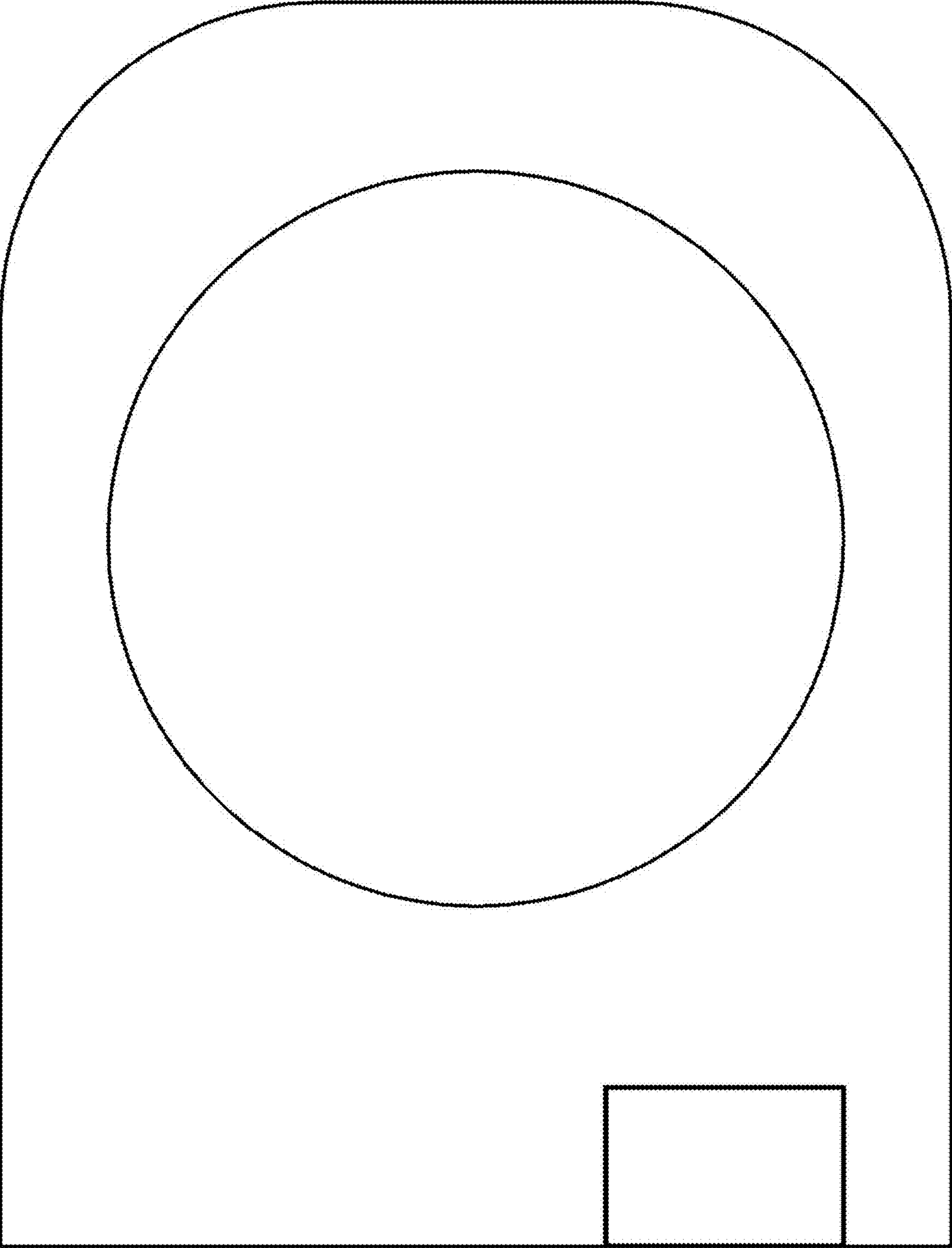
**1 Claim, 7 Drawing Sheets**



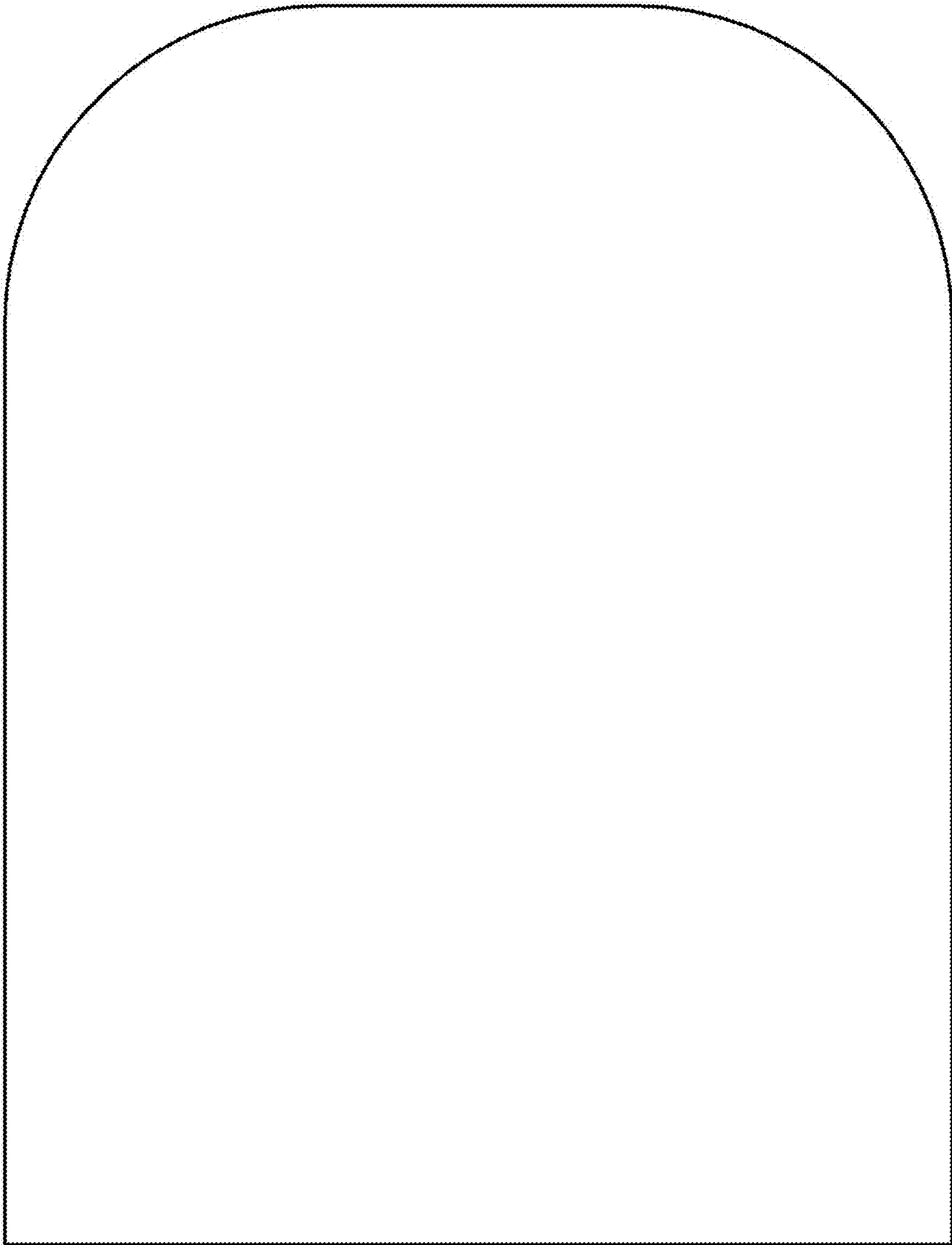
1.1



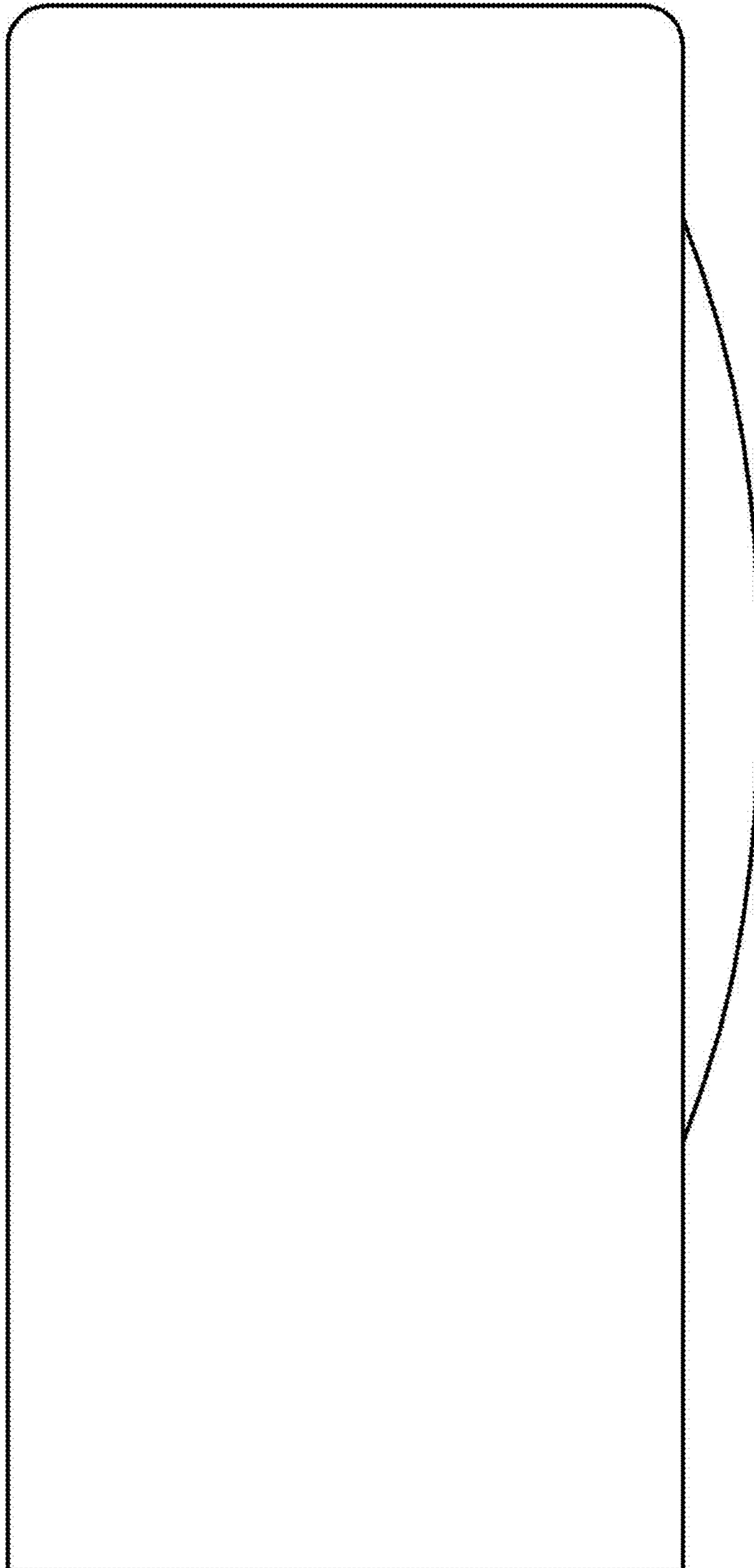
1.2



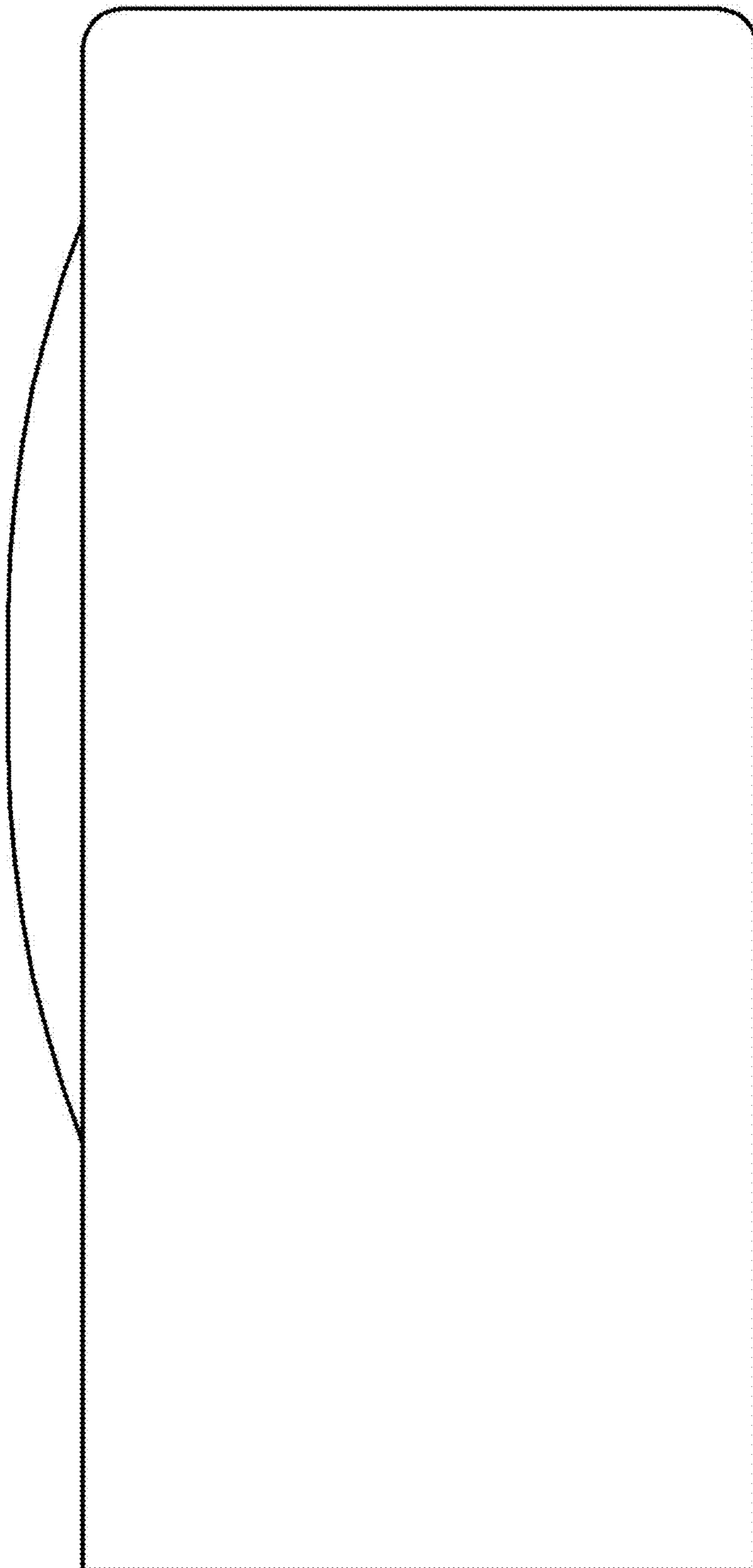
1.3



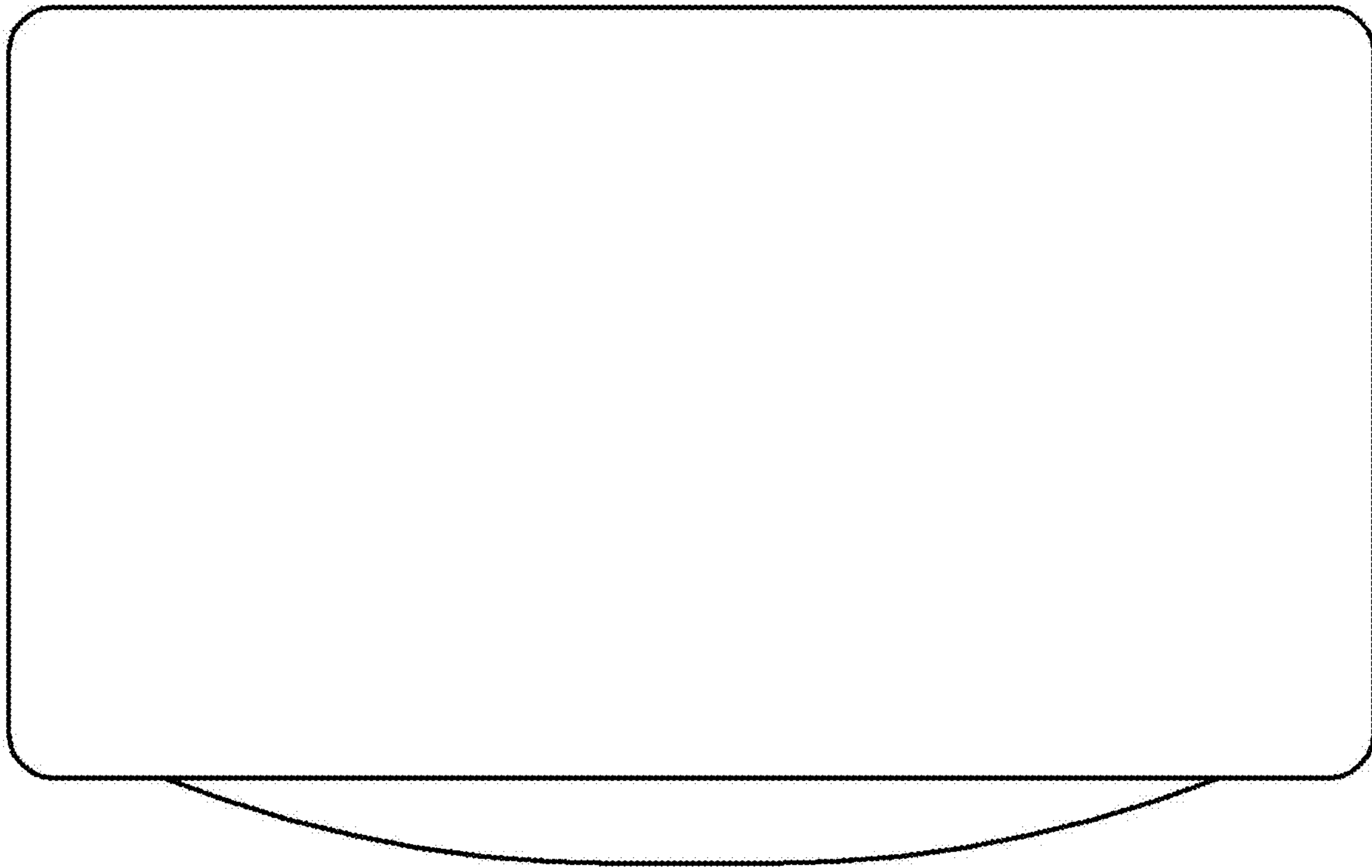
1.4



1.5



1.6



1.7

