



US00D896452S

(12) **United States Design Patent**
McConnell et al.

(10) **Patent No.: US D896,452 S**

(45) **Date of Patent: ** Sep. 15, 2020**

(54) **PORTABLE LIVESTOCK STAND**

(71) Applicants: **Roger A. McConnell**, Mount Vernon, OH (US); **Nicholas R. McConnell**, Mount Vernon, OH (US); **Chad Burroughs**, Saint Paris, OH (US)

(72) Inventors: **Roger A. McConnell**, Mount Vernon, OH (US); **Nicholas R. McConnell**, Mount Vernon, OH (US); **Chad Burroughs**, Saint Paris, OH (US)

(**) Term: **15 Years**

(21) Appl. No.: **29/627,054**

(22) Filed: **Nov. 22, 2017**

(51) **LOC (12) Cl. 30-99**

(52) **U.S. Cl.**
USPC **D30/199**

(58) **Field of Classification Search**
USPC D30/158, 199, 151, 154, 108; 119/727, 119/728, 726, 725, 850, 856, 519, 526, 119/735, 516, 525, 524, 751, 723, 729, 119/732, 738, 744, 752, 756, 843, 840, 119/734, 665, 600, 753, 755, 757, 676, 119/786, 814, 815; 54/79.2; 248/166, 248/99, 150, 101, 164; 5/83.1; 4/599; D3/304; D6/411, 409-410, 412-415, D6/449, 454-458, 461-469, 473, D6/509-511, 552; 108/103, 105, 139; 211/41.2, 41.7, 42, 51, 70, 85.1, 85.2, 211/88.3, 88.01, 126.15, 126.9, 131.1, 211/133.2, 163, 181.1, 206, 203; D21/826, 823, 811, 814, 818-822, 824, D21/825, 699, 800, 702, 705, 679; 482/35, 36, 34, 23, 42, 17, 15, 16, 908, 482/24, 38, 95, 96, 110, 143, 144; 472/118-128, 80, 135; D25/66-68; 182/182; 446/429

CPC A01K 1/0613; A01K 3/00; A01K 13/00; A01K 13/001; A01K 15/04; E04H 17/18; A61D 3/00; A01L 13/00; A01M 31/02; A63H 18/14; A63H 17/26; A63H 1/02; A63H 1/00

See application file for complete search history.

(56) **References Cited**

U.S. PATENT DOCUMENTS

732,232	A *	6/1903	Stitzer	A01K 1/0094 119/519
1,208,118	A *	12/1916	Ferris	A01K 1/0011 119/522
1,427,224	A *	8/1922	Hopkins	A01K 1/0005 119/522
1,839,313	A *	1/1932	Hibbs	A01K 1/0005 119/522
2,720,861	A *	10/1955	Stroup	A01K 1/0157 119/526
3,396,818	A *	8/1968	Moragne	A01M 31/02 182/187
4,250,836	A *	2/1981	Smith	E04H 17/18 119/512
4,470,372	A *	9/1984	Norman	A61D 3/00 119/524

(Continued)

Primary Examiner — Susan Moon Lee

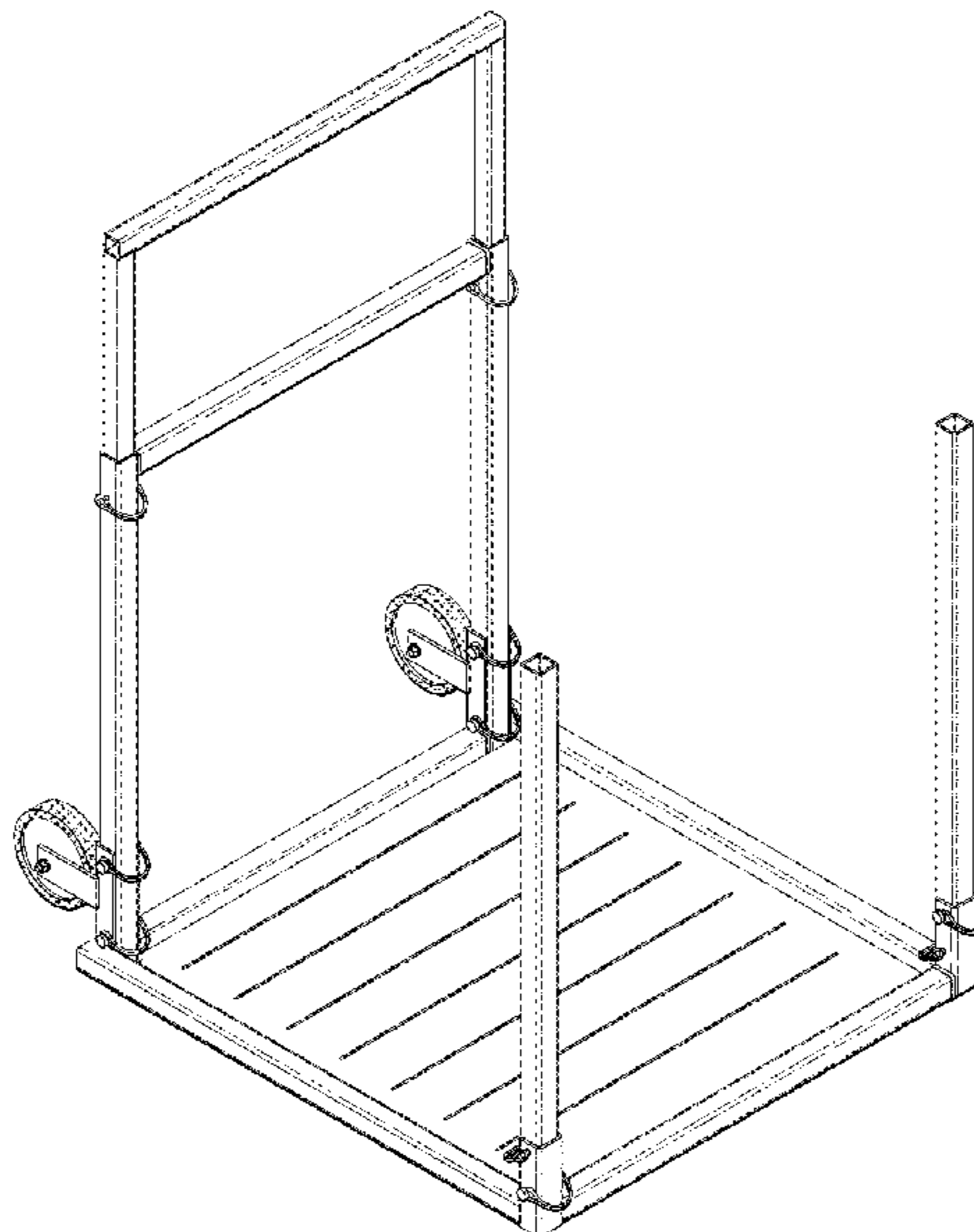
(57) **CLAIM**

The ornamental design for a portable livestock stand, as shown and described.

DESCRIPTION

FIG. 1 is an overhead isometric drawing of a portable livestock stand according to the present design.
FIG. 2 is an underside isometric drawing of the portable livestock stand of FIG. 1.
FIG. 3 is a rear plan view of the portable livestock stand of FIGS. 1-2; and,
FIG. 4 is a side plan view of the portable livestock stand of FIGS. 1-2.

1 Claim, 2 Drawing Sheets



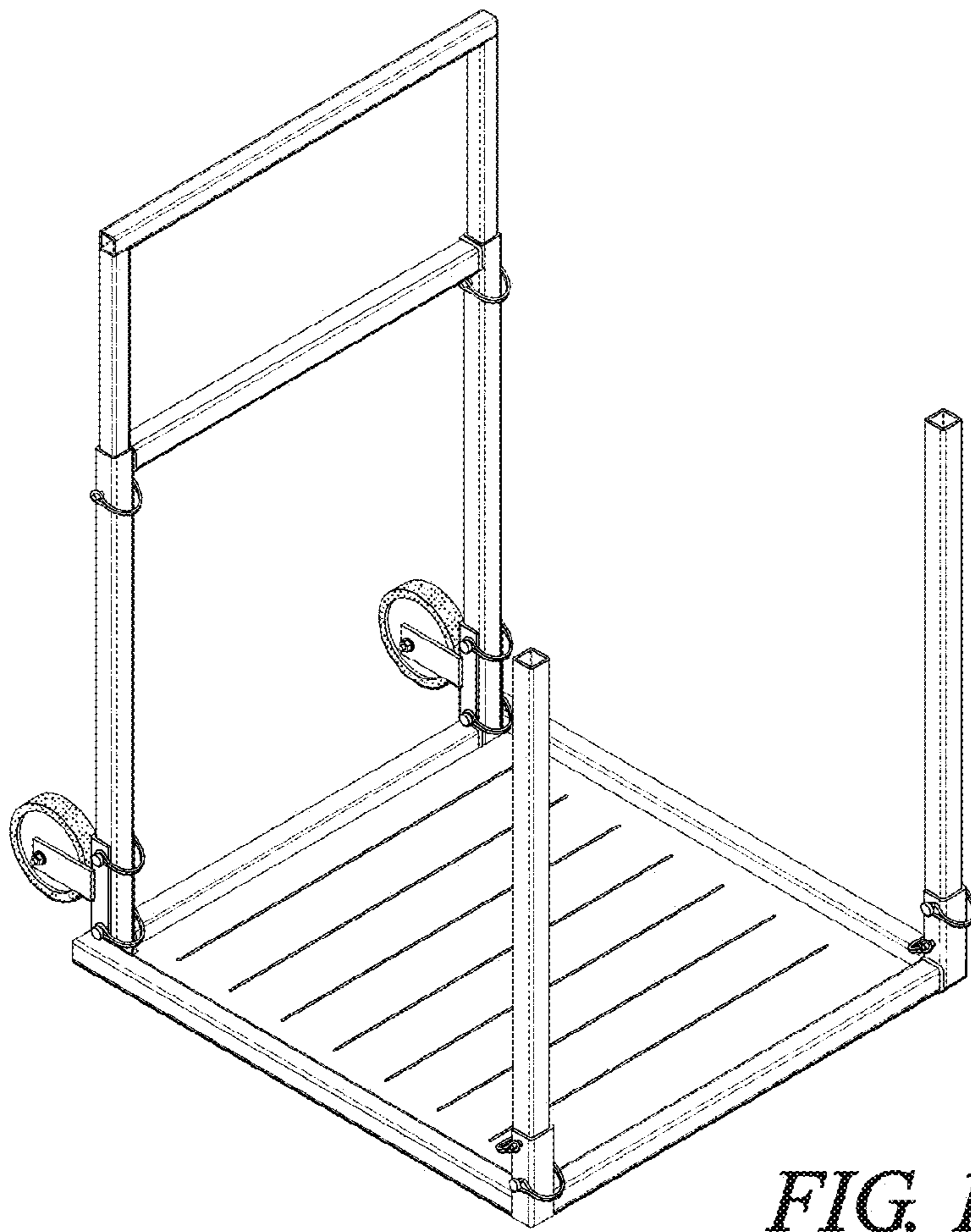


FIG. 1

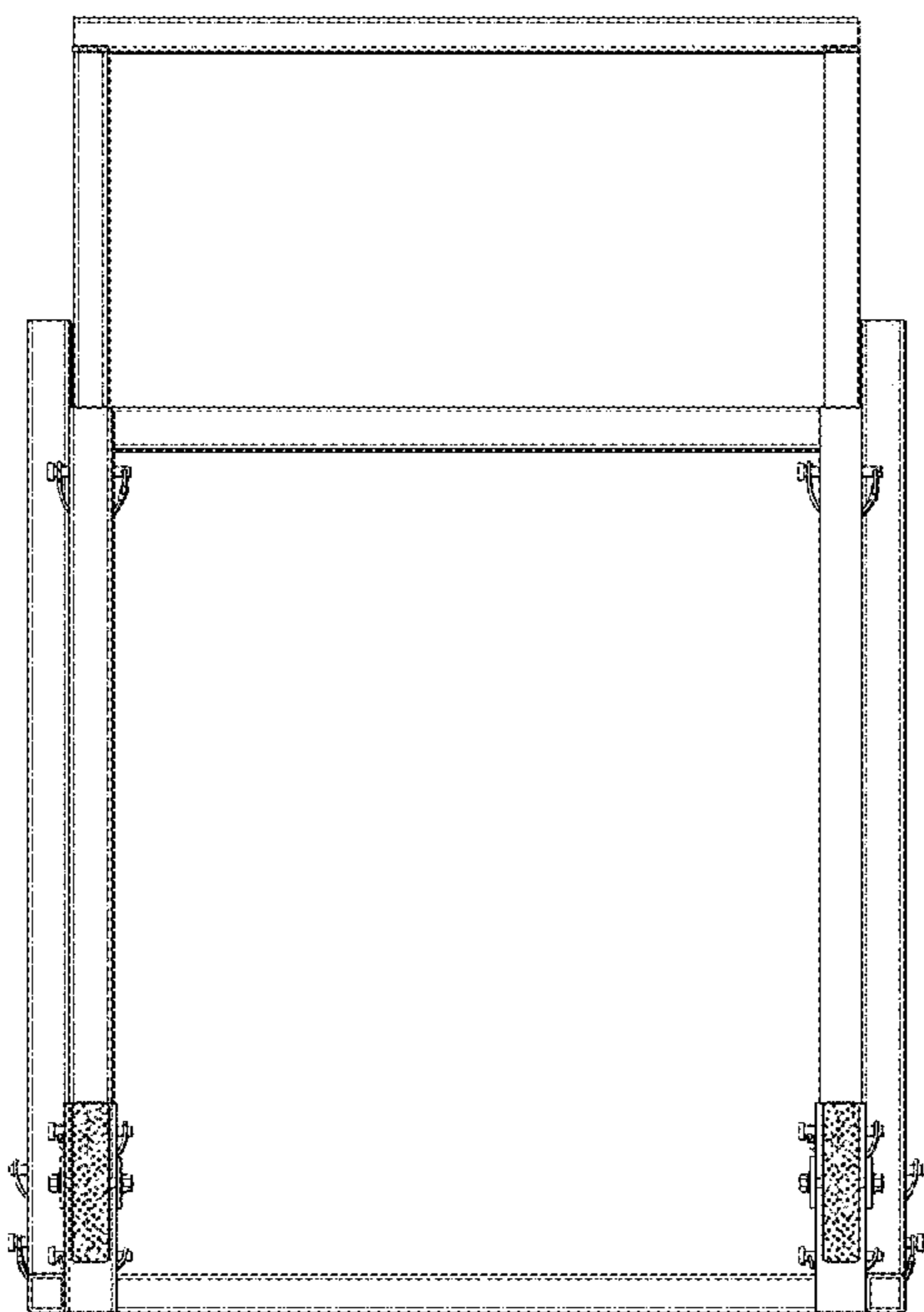


FIG. 3

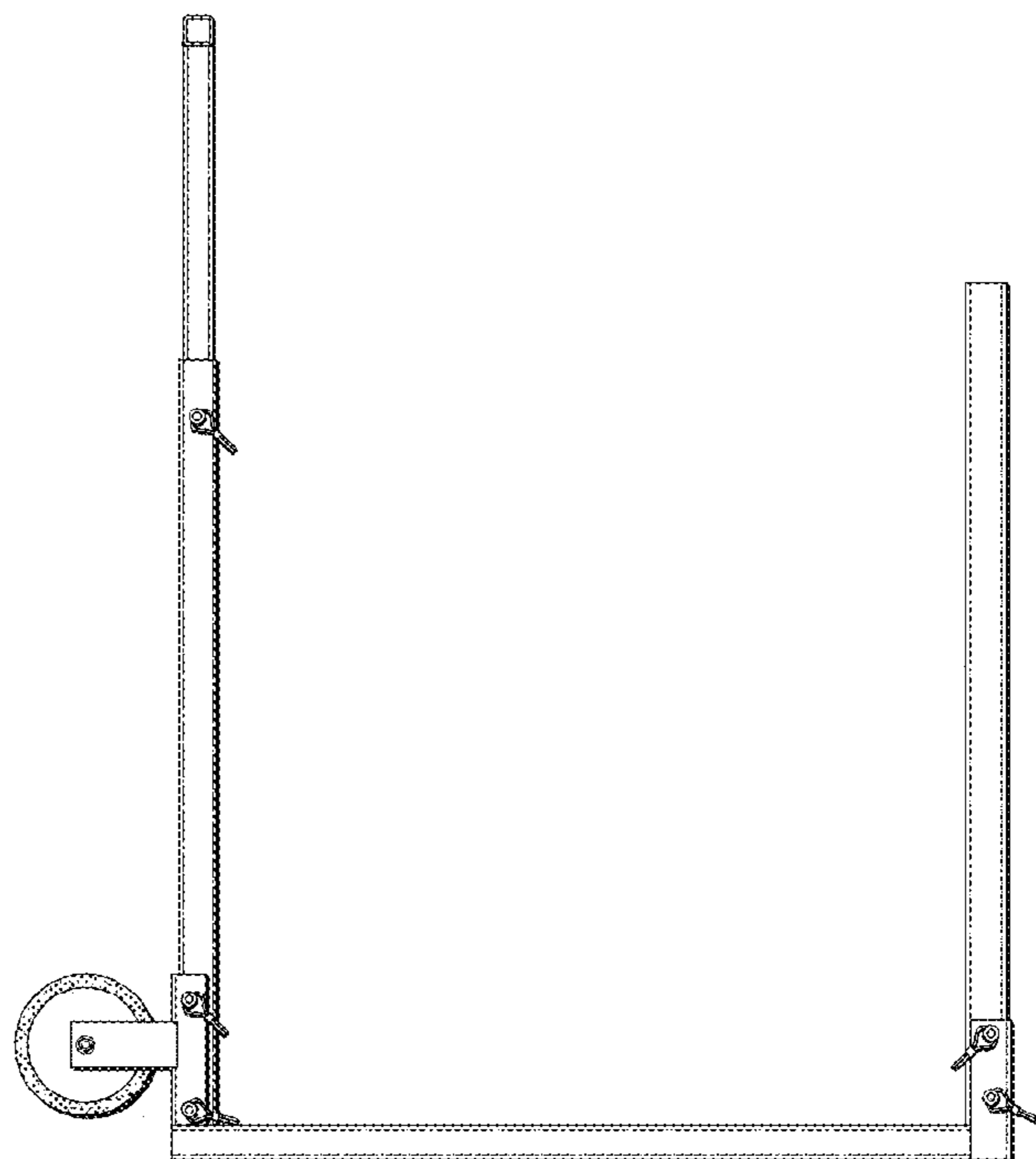


FIG. 4

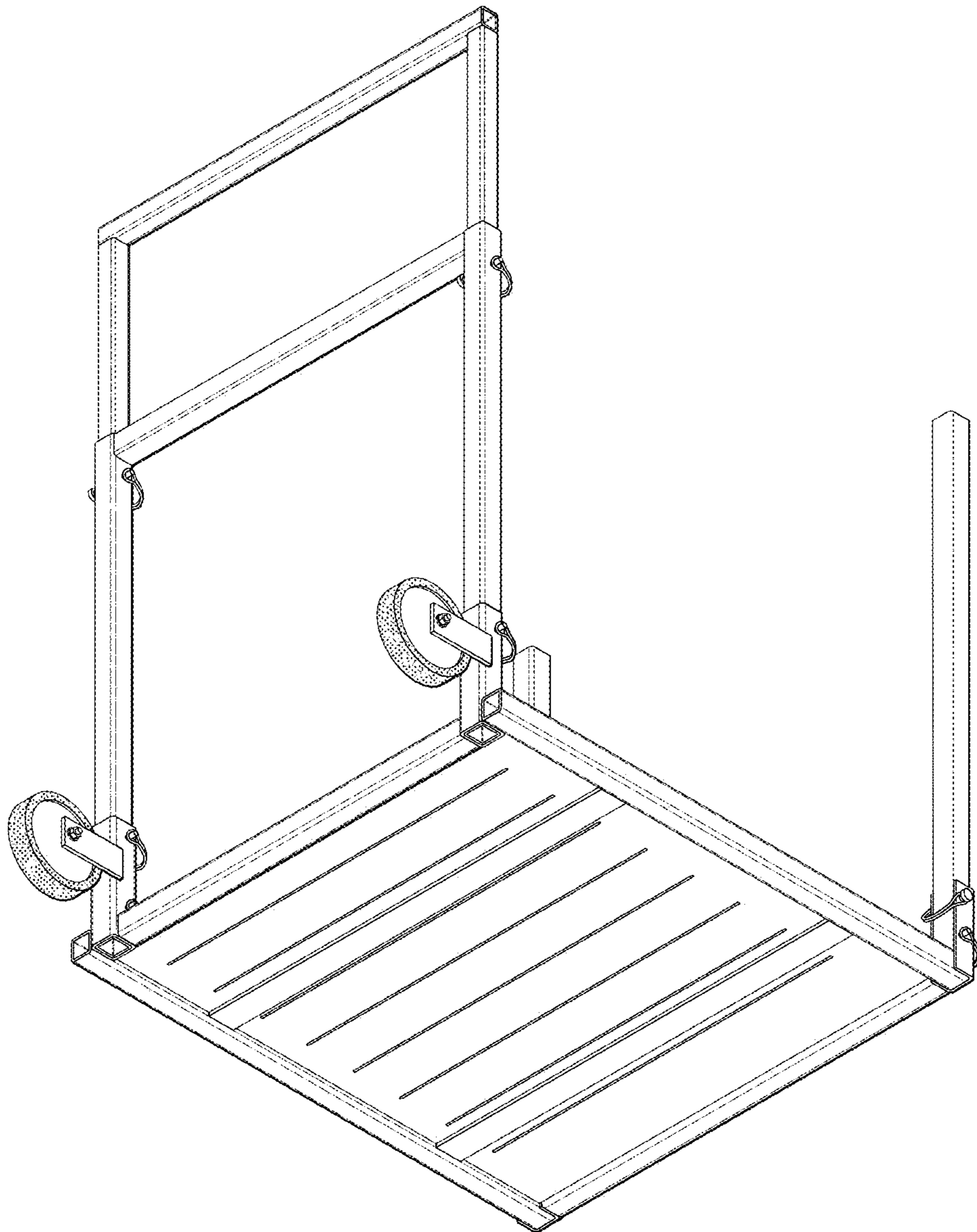


FIG. 2