



(12) **United States Design Patent** (10) **Patent No.:** **US D896,449 S**
Dang (45) **Date of Patent:** **** Sep. 15, 2020**

(54) **PET HARNESS**
 (71) Applicant: **Qiang Dang**, Guangdong (CN)
 (72) Inventor: **Qiang Dang**, Guangdong (CN)
 (**) Term: **15 Years**
 (21) Appl. No.: **29/678,199**
 (22) Filed: **Jan. 25, 2019**
 (51) **LOC (12) Cl.** **30-04**
 (52) **U.S. Cl.**
 USPC **D30/152**
 (58) **Field of Classification Search**
 USPC D30/102, 108, 113, 114, 118, 119, 120,
 D30/144–154, 199; D3/215, 216, 221,
 D3/226, 231, 233, 327, 218; D29/101.1,
 D29/101.3, 101.5, 103, 104, 109, 122;
 D24/190–192, 199, 186
 CPC A01K 1/00; A01K 1/02; A01K 1/0088;
 A01K 13/007; A01K 13/006; A01K
 13/00; A01K 27/00; A01K 27/001; A01K
 27/002; A01K 27/003; A01K 27/004;
 A01K 27/005; A01K 27/006; A01K
 27/008; A01K 27/009; A01K 25/00;
 A01K 15/04; A01K 15/021; A01K
 15/022; A01K 11/006; A01K 11/008;
 A01K 23/00; A01K 29/00; A41B 13/06;
 A61F 11/12; A61D 9/00; B68B 1/02;
 B68B 1/01; E06B 9/02; E06B 9/0623;
 E06B 9/0638; A01L 3/02; A01L 5/00;
 A01L 1/02
 See application file for complete search history.

(56) **References Cited**
 U.S. PATENT DOCUMENTS
 D459,842 S * 7/2002 Kaplan D30/145
 D652,581 S * 1/2012 Evans D30/152
 D677,021 S * 2/2013 Blizzard A01K 13/006
 D30/145
 RE45,674 E * 9/2015 Evans D30/152
 D759,906 S * 6/2016 Landry D30/144

D813,470 S * 3/2018 Landry D30/152
 D814,717 S * 4/2018 Puljujarvi D30/145
 D885,688 S * 5/2020 Pan D30/145
 D886,395 S * 6/2020 Han D30/152
 2006/0090711 A1* 5/2006 Richards A01K 13/006
 119/850
 2010/0199927 A1* 8/2010 Cigard A01K 1/0263
 119/850
 2012/0024239 A1* 2/2012 Forbes A01K 27/002
 119/850
 2013/0213319 A1* 8/2013 Hoffman A01K 1/0263
 119/792
 2015/0020752 A1* 1/2015 Zimmerman A01K 1/0263
 119/792

(Continued)

OTHER PUBLICATIONS

FML Pet Harnesses for Dogs, no date available [online], [retrieved Jun. 21, 2020], Available from Internet, URL: https://www.dhgate.com/product/fml-pet-harnesses-for-dogs-no-pull-reflective/499573011.html#seo=WAP.*

Primary Examiner — T Chase Nelson
Assistant Examiner — Mary Claire Ramirez

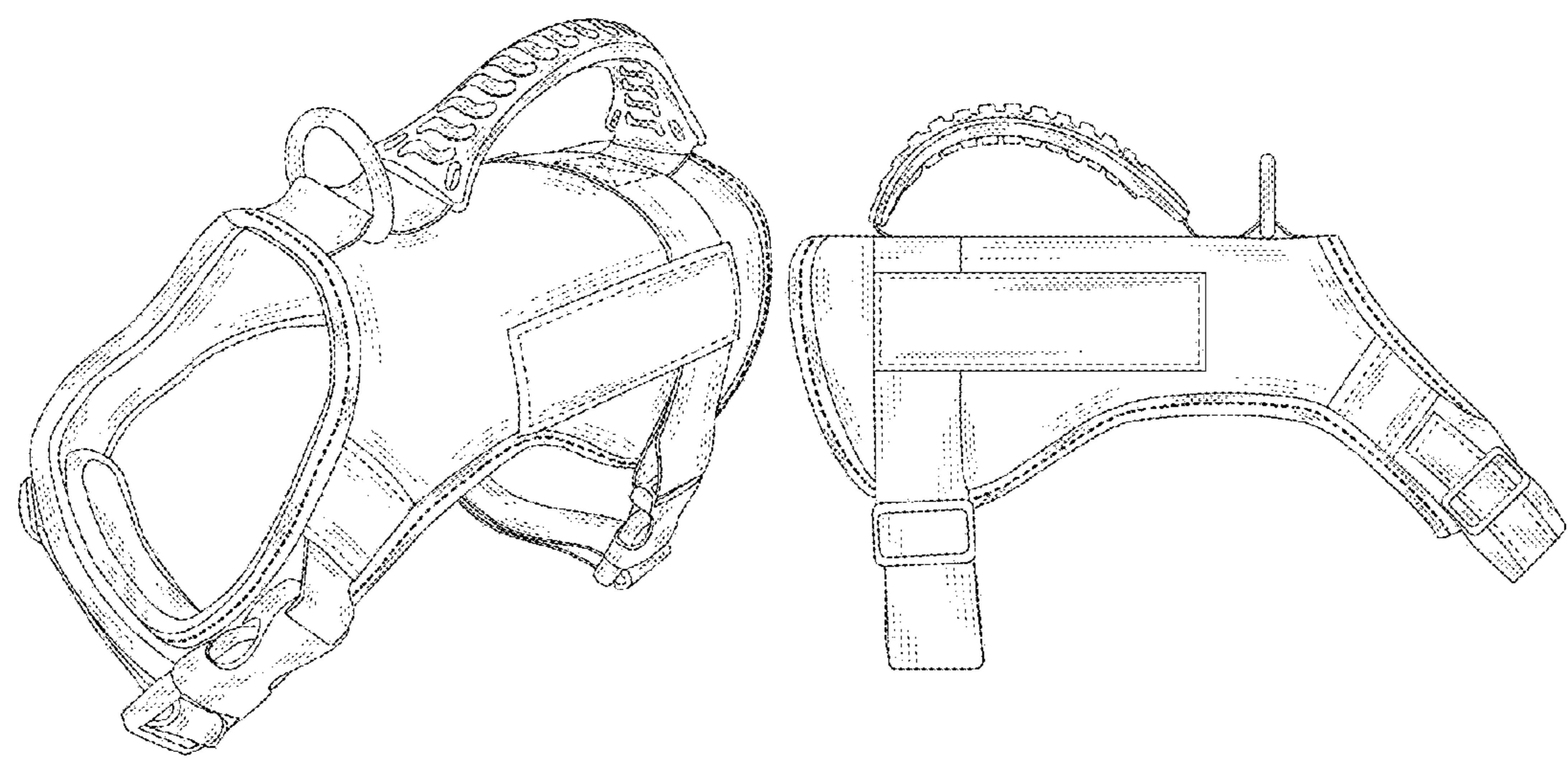
(57) **CLAIM**

The ornamental design for a pet harness, as shown and described.

DESCRIPTION

FIG. 1 is a perspective view of a pet harness showing my new design;
 FIG. 2 is a front elevation view thereof;
 FIG. 3 is a rear elevation view thereof;
 FIG. 4 is a left side elevation view thereof;
 FIG. 5 is a right side elevation view thereof;
 FIG. 6 is a top plan view thereof;
 FIG. 7 is a bottom plan view thereof; and,
 FIG. 8 is an exploded view thereof.
 The broken lines on the pet harness represent stitching that forms no part of the claimed design.

1 Claim, 8 Drawing Sheets



(56)

References Cited

U.S. PATENT DOCUMENTS

2015/0245591 A1* 9/2015 Dumas, Jr. A01K 13/006
119/851
2016/0015003 A1* 1/2016 Watson A01K 27/002
224/600
2017/0156290 A1* 6/2017 Speed A01K 15/02
2018/0263217 A1* 9/2018 Harris A01K 19/00
2019/0124890 A1* 5/2019 Kath A01K 27/002
2019/0200572 A1* 7/2019 Criswell A01K 27/002

* cited by examiner



FIG.1

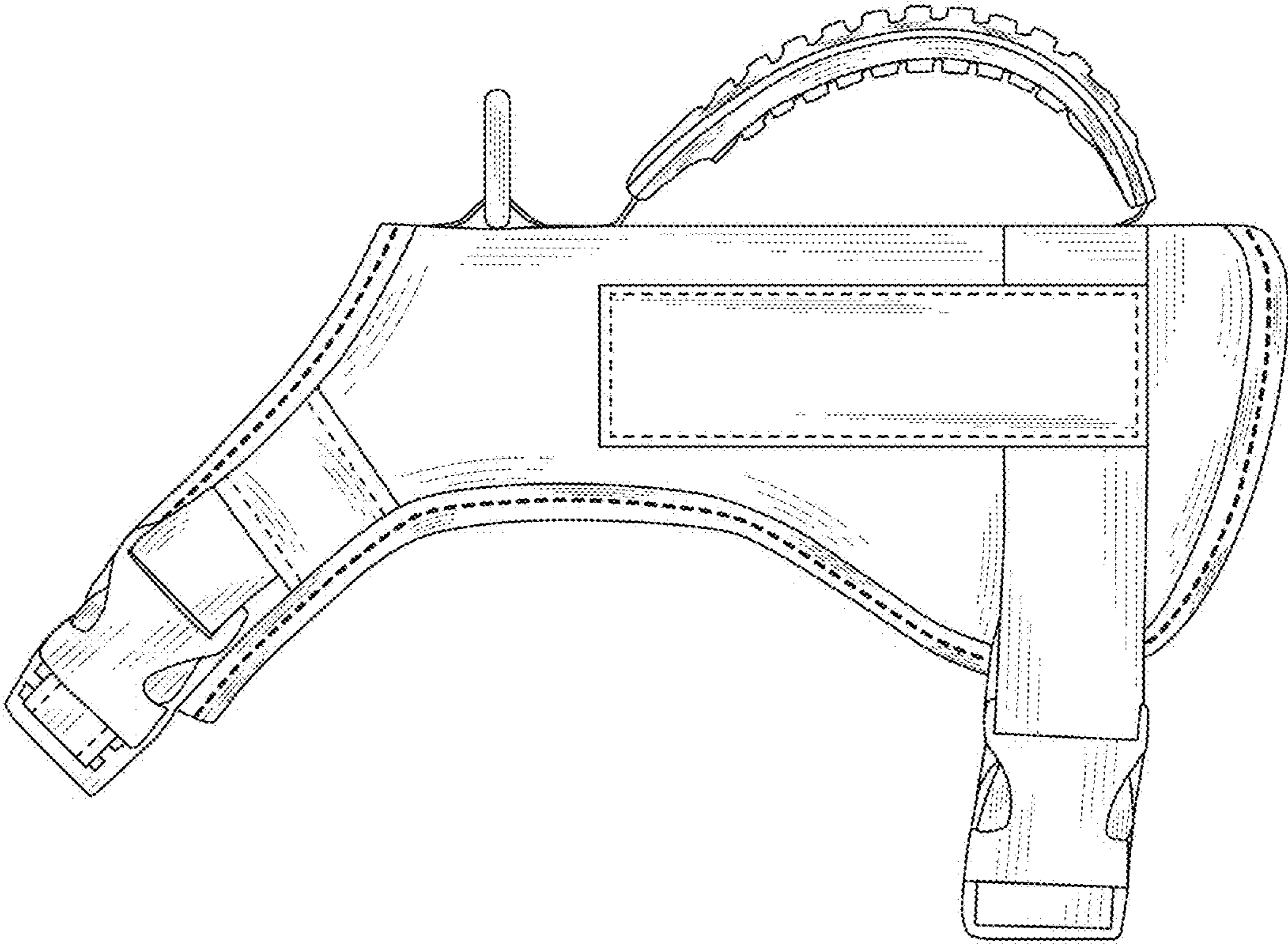


FIG.2

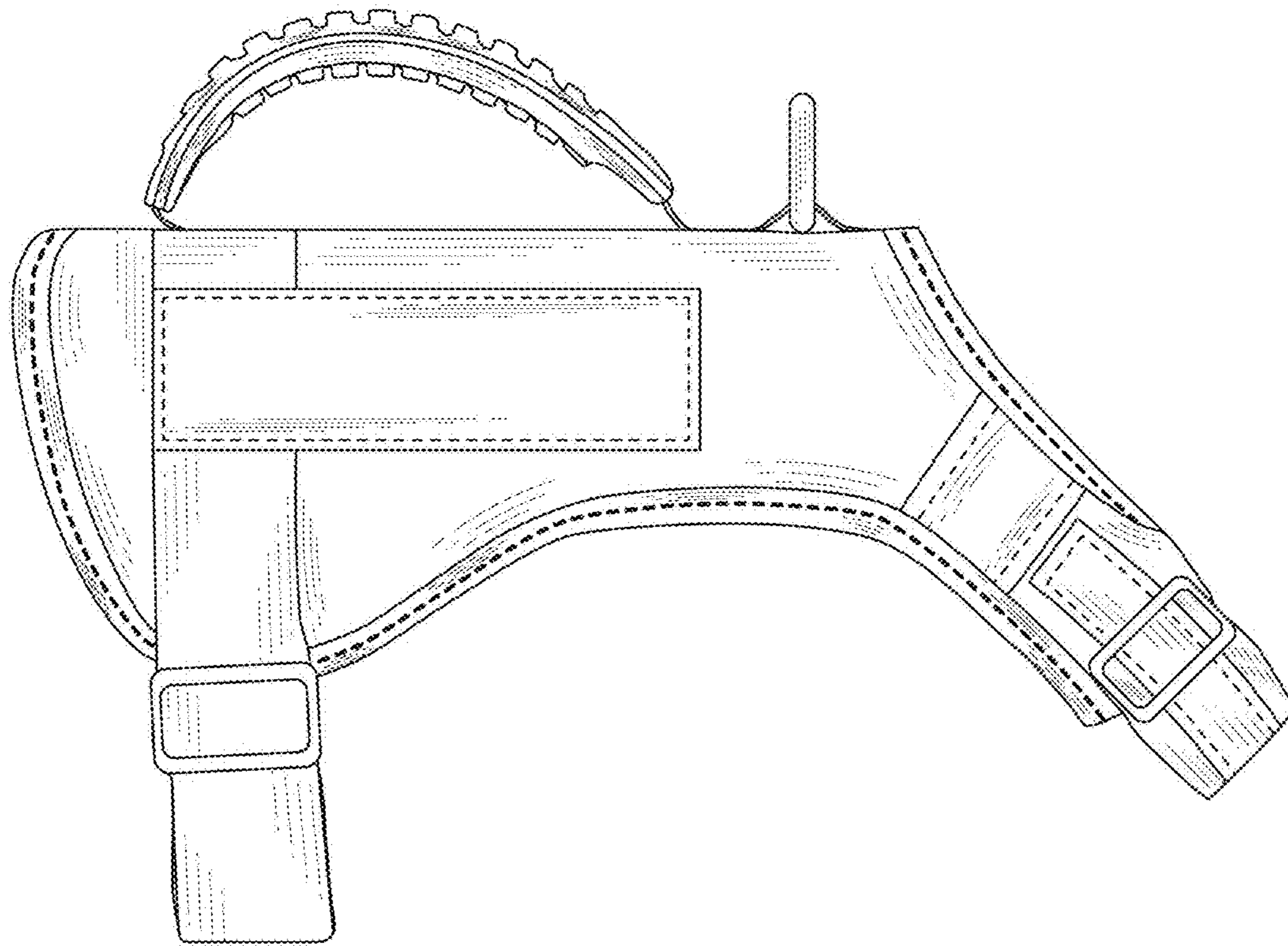


FIG.3

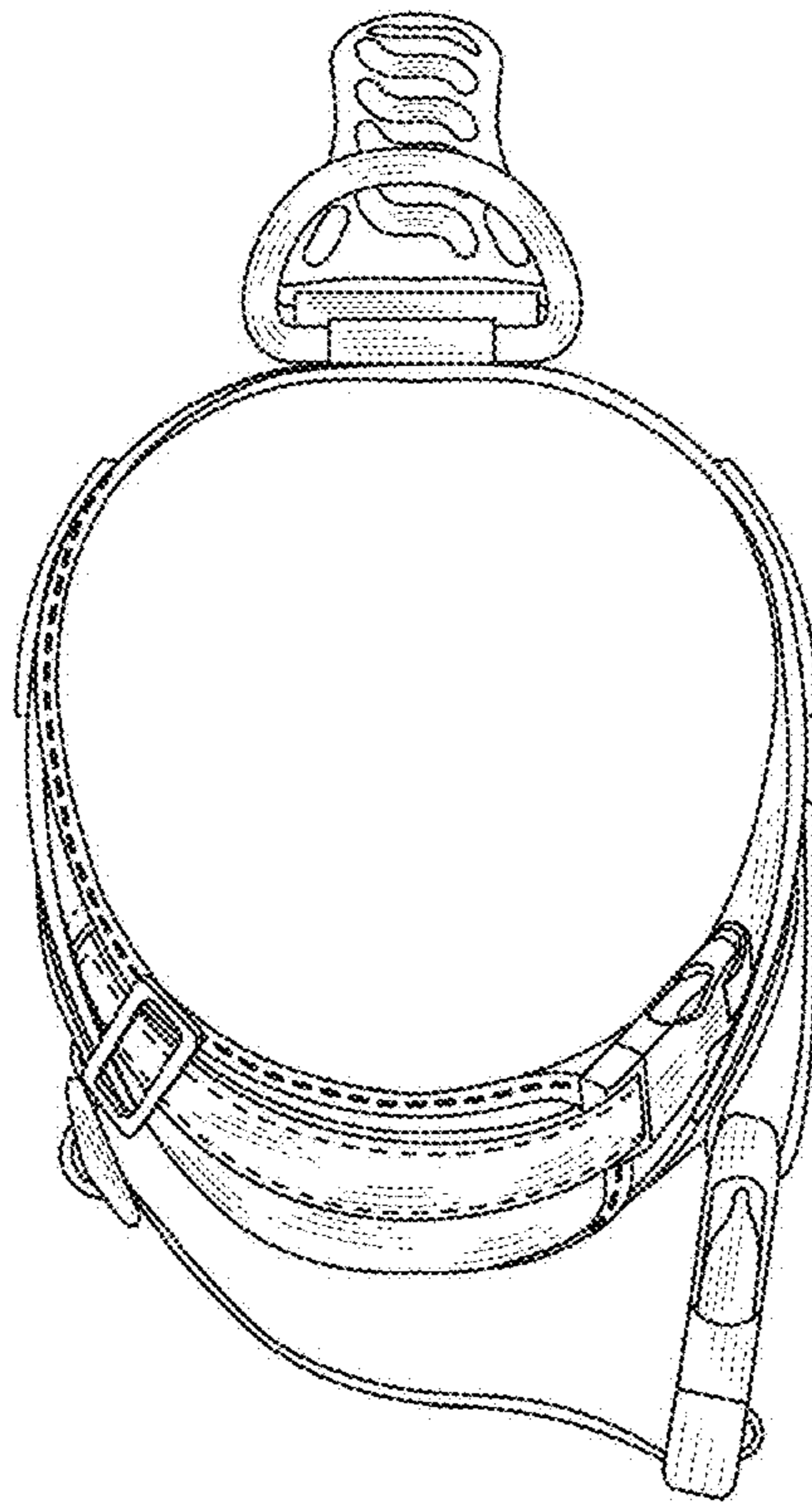


FIG.4

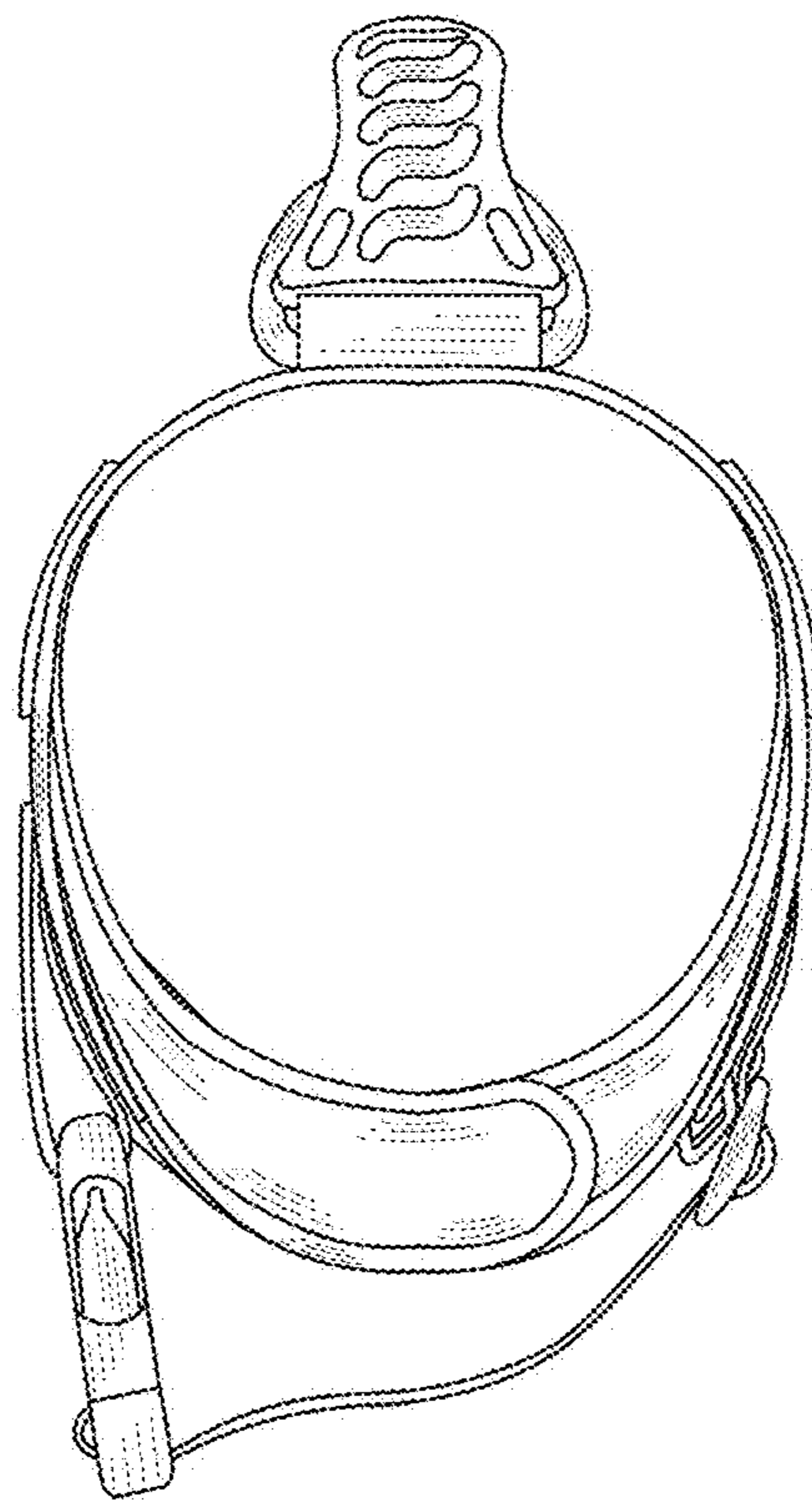


FIG.5

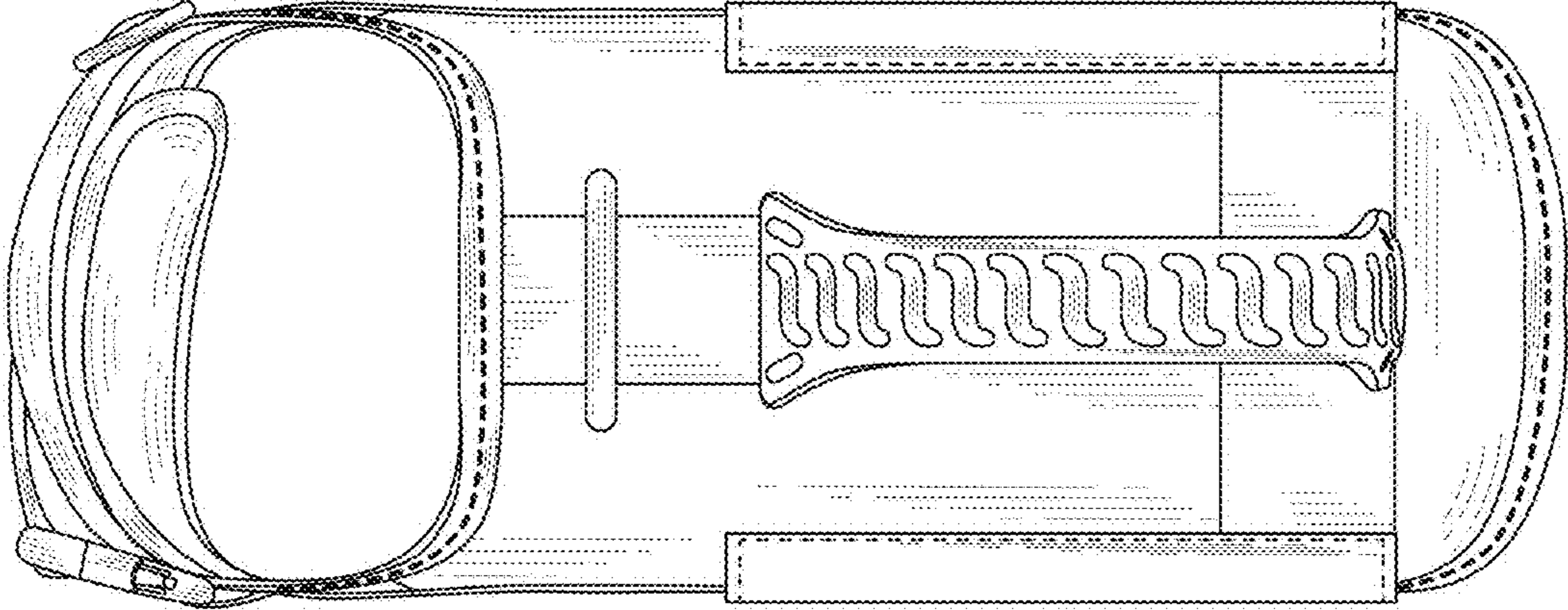


FIG.6

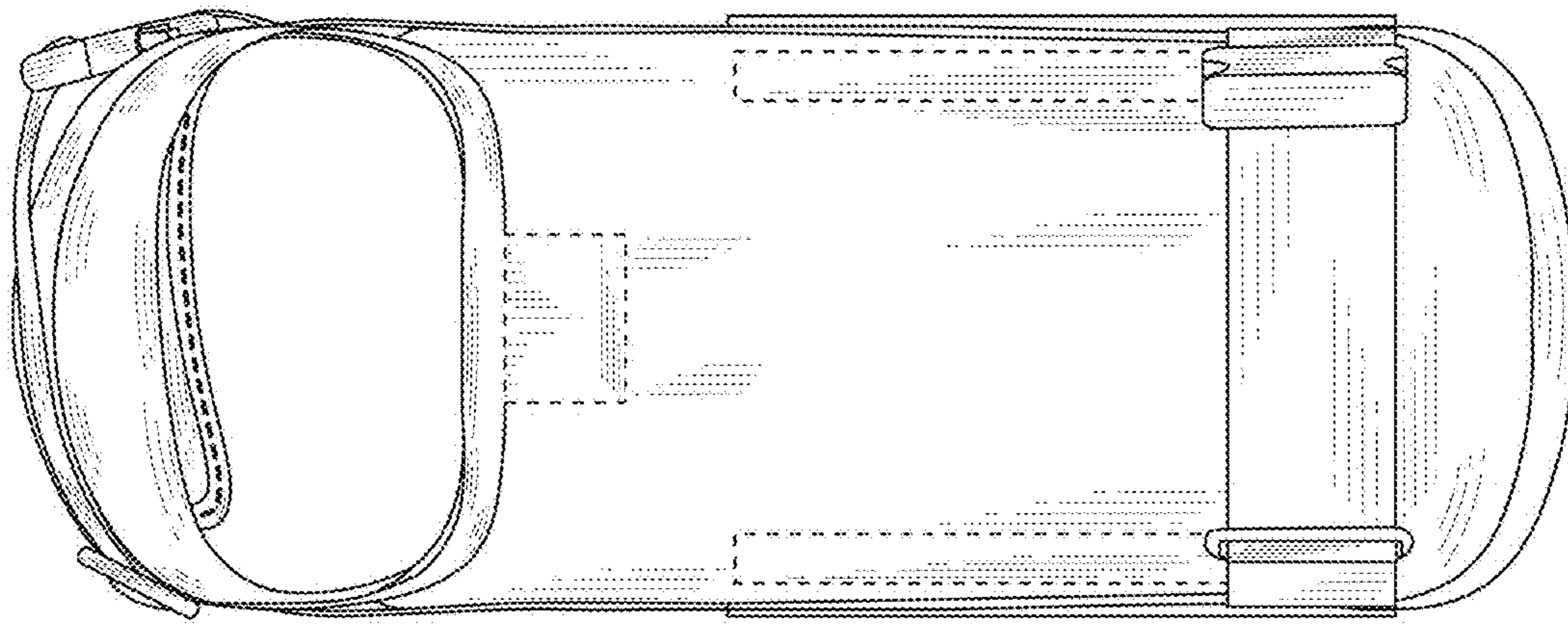


FIG.7

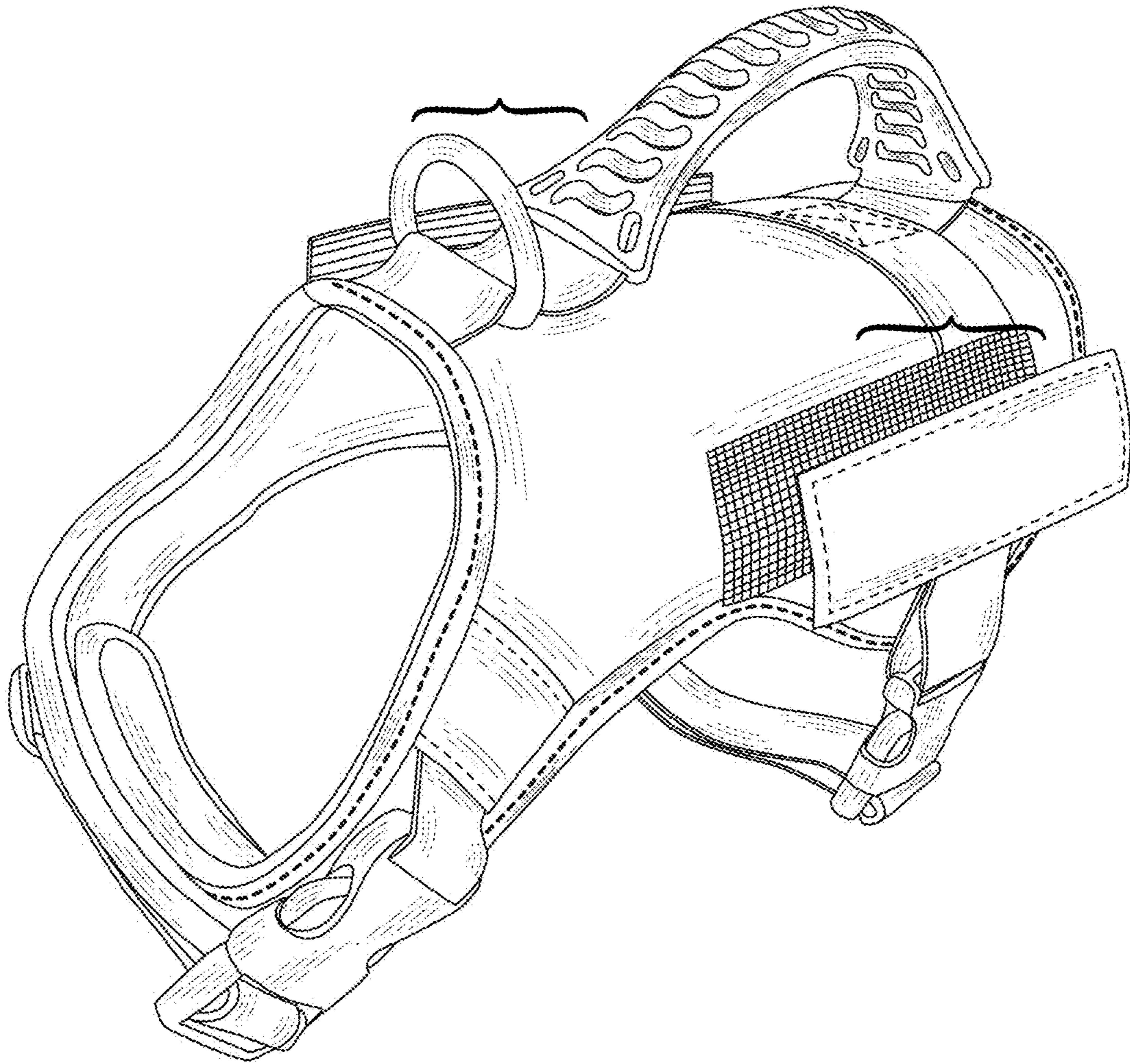


FIG. 8