



US00D896446S

(12) **United States Design Patent** (10) **Patent No.:** **US D896,446 S**
Jones et al. (45) **Date of Patent:** **** Sep. 15, 2020**

(54) **REVERSIBLE GLOVE**

(71) Applicants: **Jeronia Jones**, Adel, GA (US); **Ollie Jones**, Adel, GA (US)

(72) Inventors: **Jeronia Jones**, Adel, GA (US); **Ollie Jones**, Adel, GA (US)

(**) Term: **15 Years**

(21) Appl. No.: **29/728,547**

(22) Filed: **Mar. 19, 2020**

Related U.S. Application Data

(62) Division of application No. 29/697,062, filed on Jul. 3, 2019, now Pat. No. Des. 879,385.

(51) **LOC (12) Cl.** **02-06**

(52) **U.S. Cl.**
USPC **D29/117.1**

(58) **Field of Classification Search**
USPC D29/113, 114, 116.2, 117.1, 117.2, 118,
D29/119, 123

CPC A41D 19/01529
See application file for complete search history.

(56) **References Cited**

U.S. PATENT DOCUMENTS

- 1,786,227 A * 12/1930 Bruggeman A41D 19/01
2/159
- D651,358 S * 12/2011 Bulan D29/117.1
- D737,525 S * 8/2015 Piotrowski D29/117.1
- D741,551 S * 10/2015 Piotrowski D29/117.1
- D802,221 S * 11/2017 Piotrowski D29/117.1
- D804,103 S * 11/2017 Wong D29/117.1
- D806,321 S * 12/2017 Lim D29/117.1
- D824,598 S * 7/2018 Wong D29/117.1

- D879,385 S * 3/2020 Jones D29/117.1
- 2018/0125129 A1 * 5/2018 Weitzmann A41D 19/0048
- 2018/0352881 A1 * 12/2018 Kimbrough A41D 19/01529

OTHER PUBLICATIONS

Fire Grip 2.0 gloves, posted at viking-life.com, posting date not given, [online], [site visited Aug. 23, 2019]. Available from Internet, URL: <https://www.viking-life.com/en/others/accessories/5079-10666xx-fire-grip-20-gloves-10666xx-dupont-kevlar/mineral-fibre-protex-m/fireblocker-blue-different-sizes> (Year: 2019).*

SnowForce Extreme Cold Winter Claw Mitt, posted at .com, posting date not given, [online], [site visited Aug. 23, 2019]. Available from Internet, URL: <https://www.superiorglove.com/en/snowforce-extreme-cold-3-finger-winter-mitt-with-premium-cowgrain-palm> (Year: 2019).*

* cited by examiner

Primary Examiner — George D. Kirschbaum

Assistant Examiner — Maria J Edwards

(74) *Attorney, Agent, or Firm* — RC Trademark Company

(57) **CLAIM**

The ornamental design for a reversible glove, as shown and described.

DESCRIPTION

FIG. 1 is a perspective view of a reversible glove showing our new design.

FIG. 2 is a front view of the reversible glove of FIG. 1.

FIG. 3 is a rear view of the reversible glove of FIG. 1.

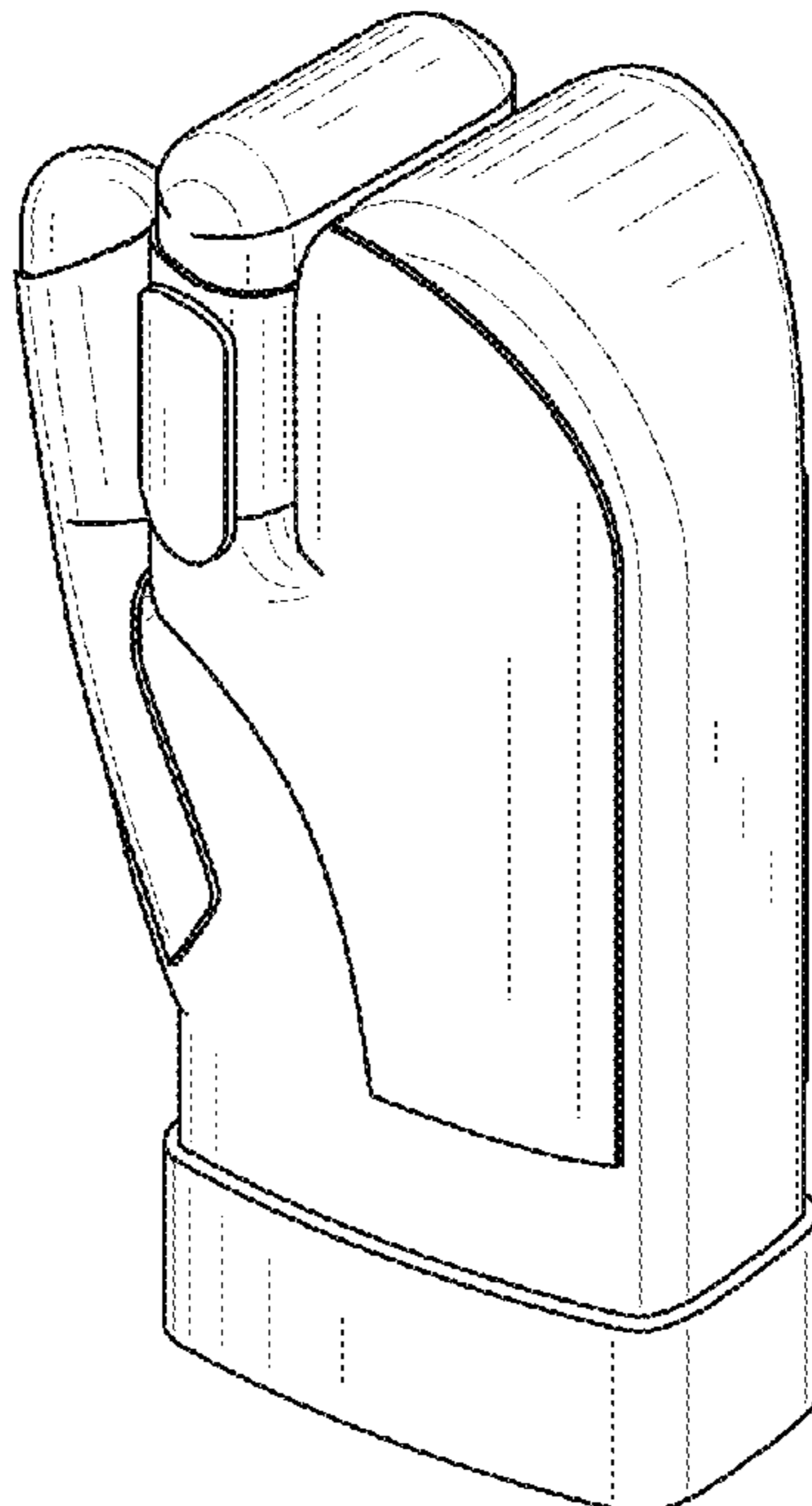
FIG. 4 is left side view of the reversible glove of FIG. 1.

FIG. 5 is a right side view of the reversible glove of FIG. 1.

FIG. 6 is a top view of the reversible glove of FIG. 1; and,

FIG. 7 is a bottom view of the reversible glove of FIG. 1.

1 Claim, 5 Drawing Sheets



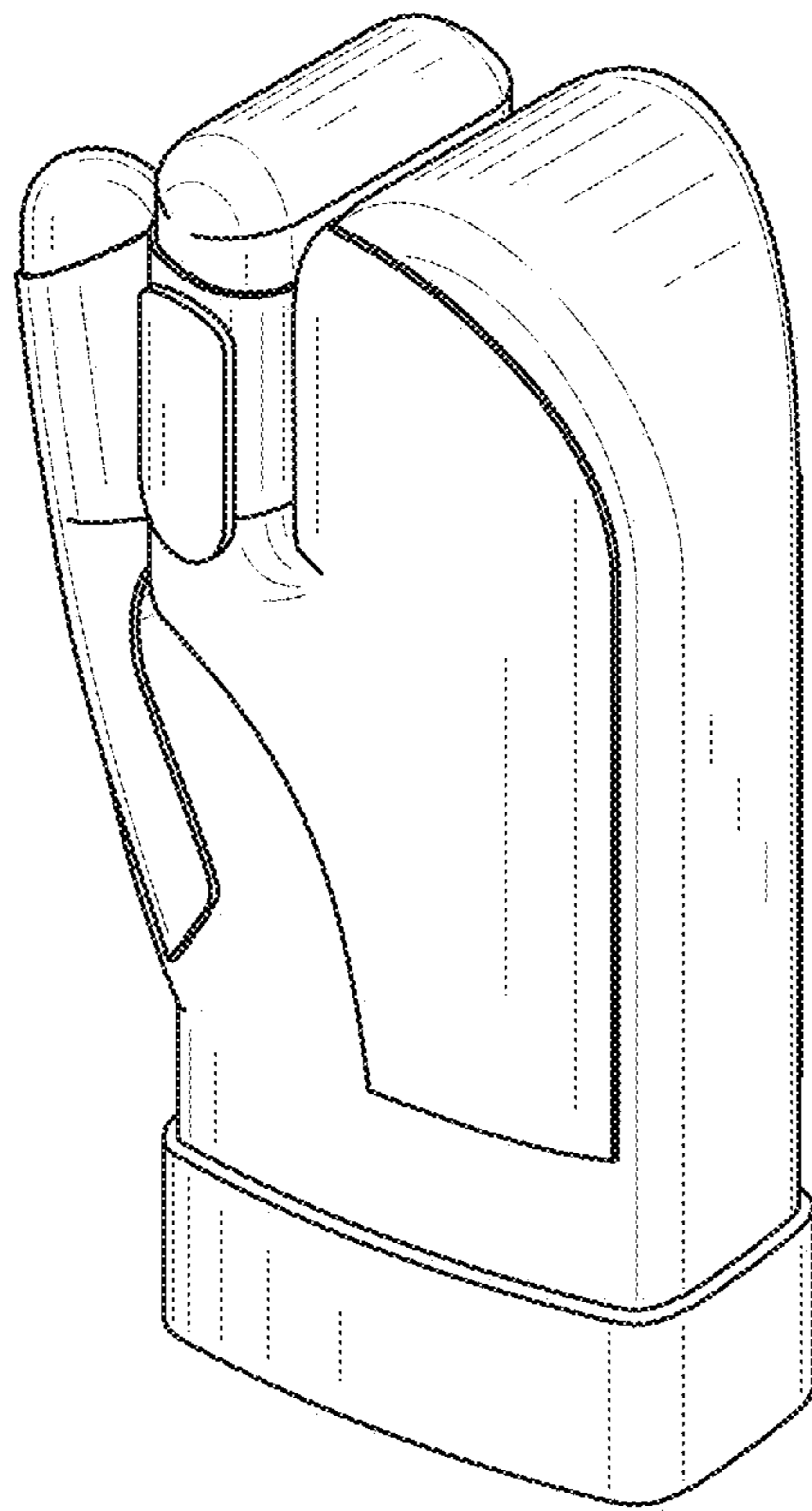


FIG. 1

FIG. 2

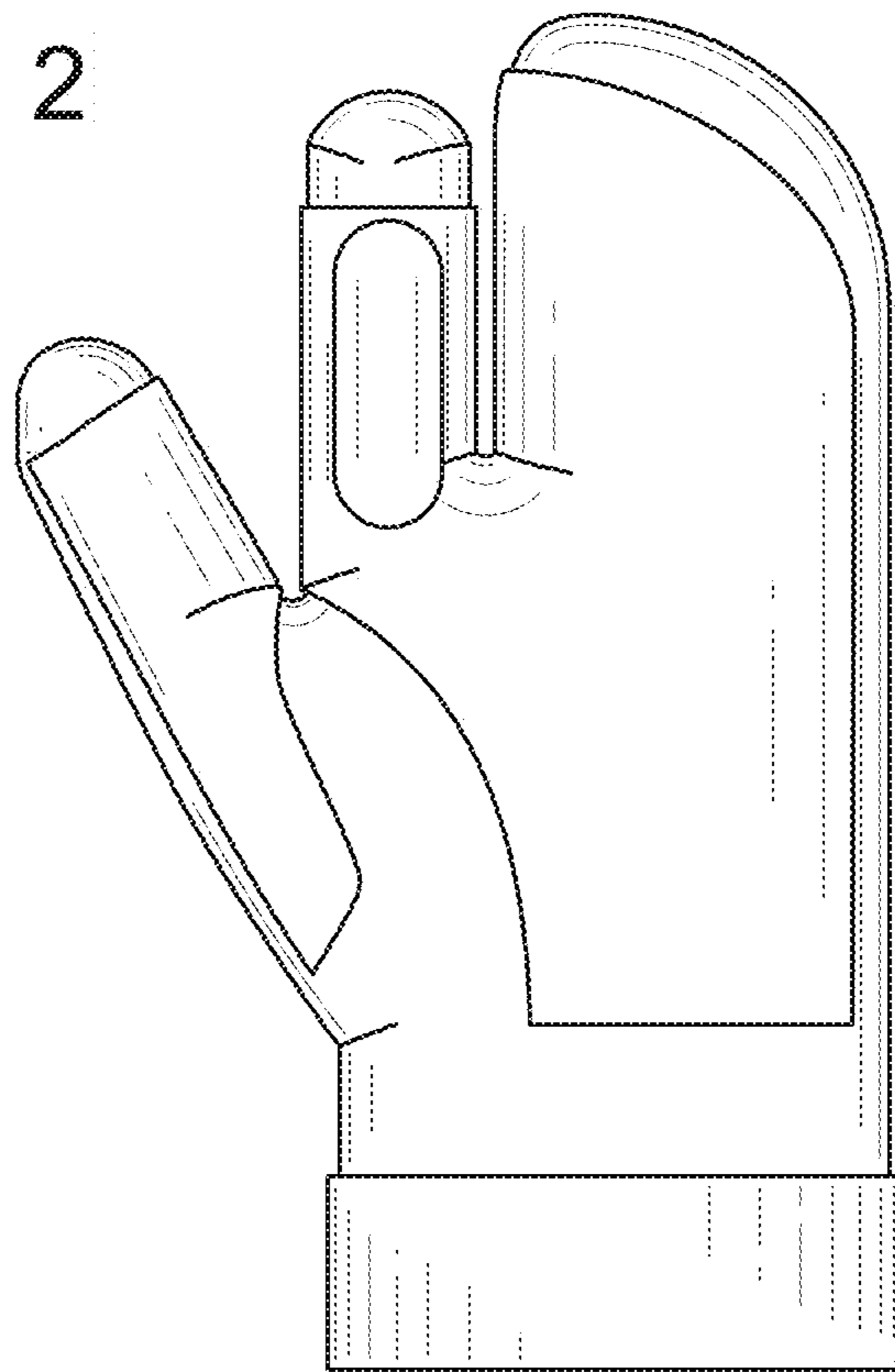


FIG. 3

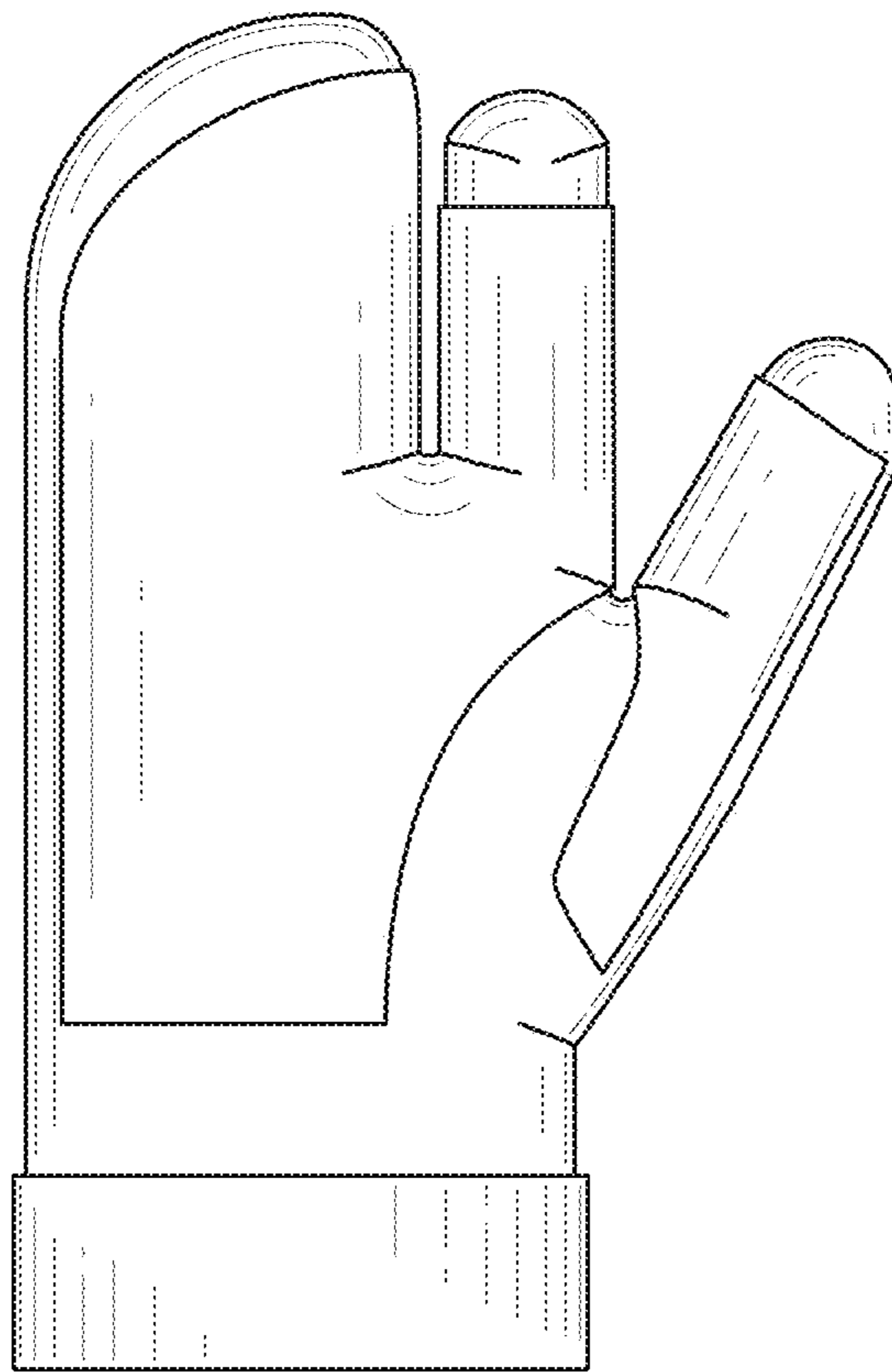


FIG. 4

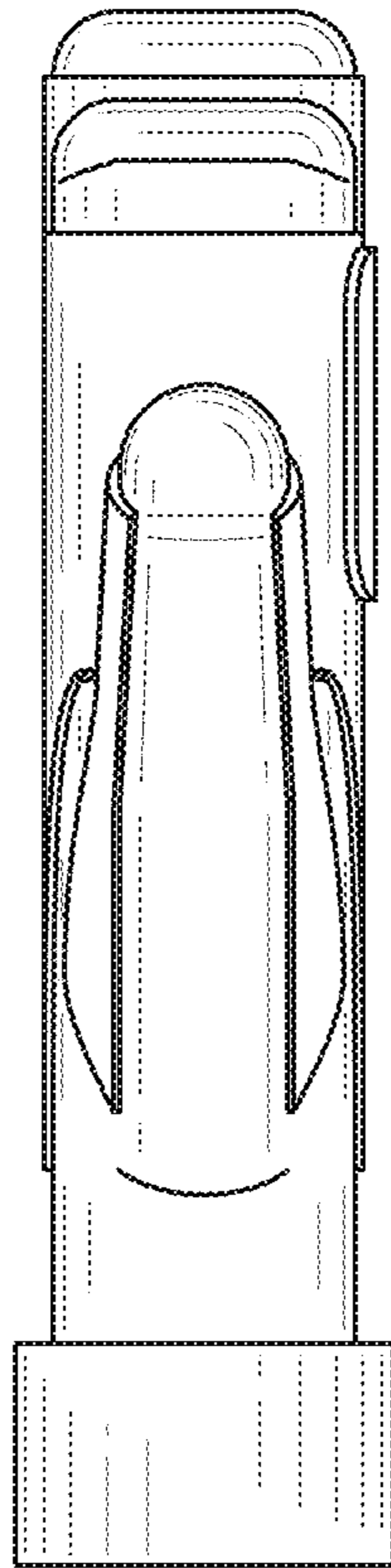


FIG. 5

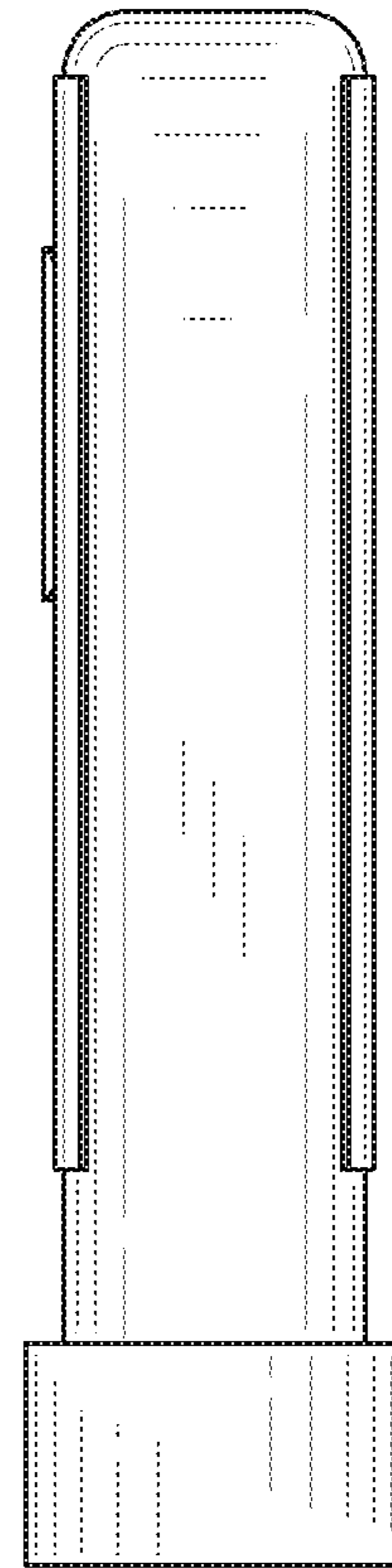


FIG. 6

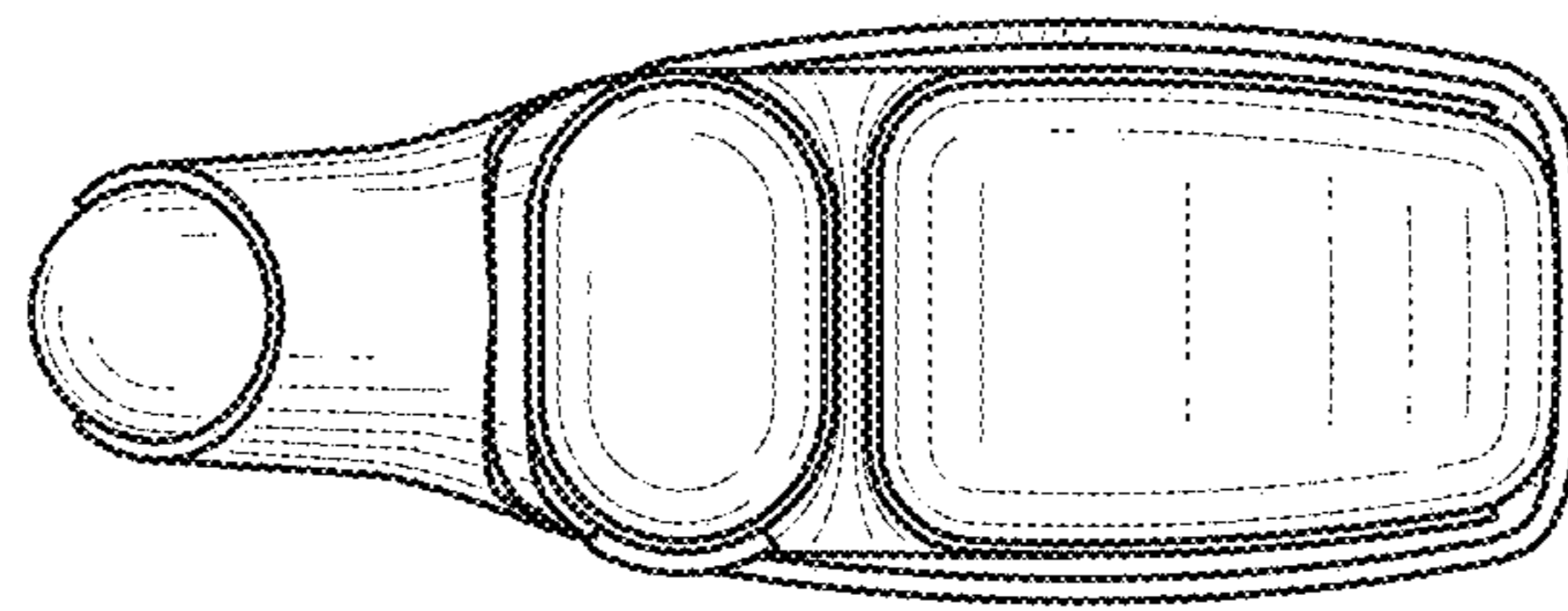


FIG. 7

