



US00D896442S

(12) **United States Design Patent** (10) **Patent No.:** **US D896,442 S**
Manshoory (45) **Date of Patent:** **** Sep. 15, 2020**

- (54) **TRAVEL RAZOR**
- (71) Applicant: **ALLEYOOP, INC.**, Los Angeles, CA (US)
- (72) Inventor: **Leila Kashani Manshoory**, Los Angeles, CA (US)
- (73) Assignee: **ALLEYOOP, INC.**, Los Angeles, CA (US)

- 4,739,242 A 4/1988 McCarty et al.
- 5,092,041 A 3/1992 Podolsky
- 5,241,751 A 9/1993 Goh
- 5,337,478 A 8/1994 Cohen et al.
- 5,564,190 A 10/1996 Fleetwood
- 5,669,139 A 9/1997 Oldroyd et al.
- 6,308,413 B1 10/2001 Westerhof et al.
- 6,532,670 B1 3/2003 Berns
- 6,568,083 B1 5/2003 Taniguchi et al.

(Continued)

- (**) Term: **15 Years**
- (21) Appl. No.: **29/692,709**
- (22) Filed: **May 28, 2019**

FOREIGN PATENT DOCUMENTS

- CN 1336862 A 2/2002
- CN 102099159 A 6/2011

(Continued)

OTHER PUBLICATIONS

English Abstract for CN1336862A.

(Continued)

Primary Examiner — Jennifer Rivard

(74) *Attorney, Agent, or Firm* — Kagan Binder, PLLC

Related U.S. Application Data

- (63) Continuation of application No. 15/459,734, filed on Mar. 15, 2017, now abandoned.
- (51) **LOC (12) Cl.** **28-03**
- (52) **U.S. Cl.**
USPC **D28/46**
- (58) **Field of Classification Search**
USPC D28/46-48
CPC B26B 21/00-06; B26B 21/08-227; B26B 21/24-28; B26B 21/30-38; B26B 21/40-4093; B26B 21/52-528
See application file for complete search history.

(57)

CLAIM

The ornamental design for a travel razor, as shown.

DESCRIPTION

FIG. 1 is a perspective view of a travel razor of the claimed design;

FIG. 2 is a front view thereof;

FIG. 3 is a back view thereof;

FIG. 4 is a left view thereof, the right view being a mirror image of the left view;

FIG. 5 is a top view thereof; and,

FIG. 6 is a bottom view thereof.

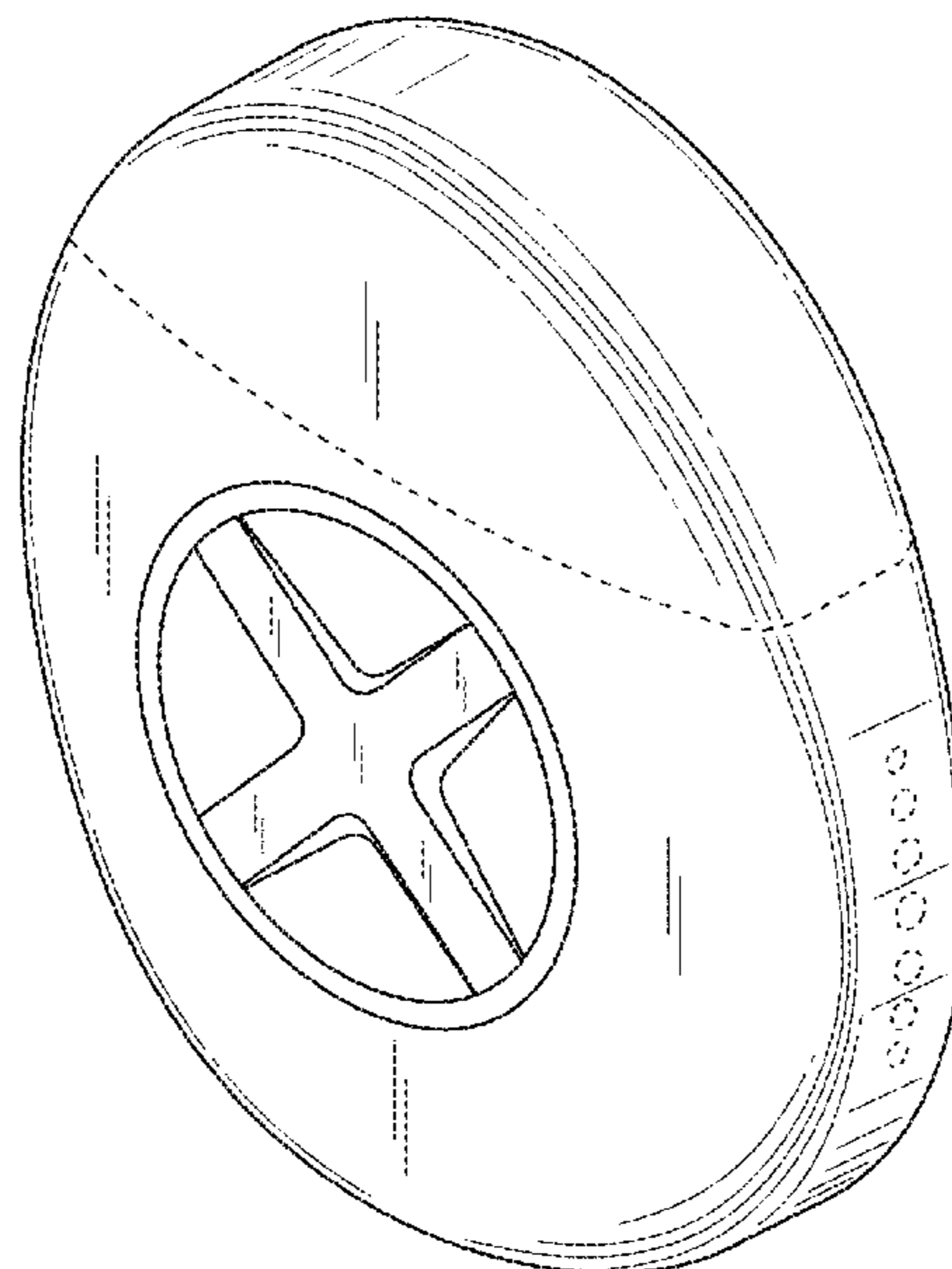
The broken line portions of the drawings illustrate portions of the travel razor and form no part of the claimed designs.

(56) **References Cited**

U.S. PATENT DOCUMENTS

- 2,790,234 A 4/1957 Goldstein
- D218,669 S * 9/1970 Yajima et al. D28/46
- 3,648,365 A 3/1972 Iten et al.
- 4,074,429 A 2/1978 Roberts
- 4,077,119 A 3/1978 Sellera
- 4,241,500 A 12/1980 Iten
- D280,136 S 8/1985 Yajima et al.
- 4,635,361 A 1/1987 DeMars

1 Claim, 5 Drawing Sheets



(56)

References Cited

U.S. PATENT DOCUMENTS

6,662,453 B1 12/2003 Stuckey et al.
 6,938,587 B2 9/2005 Thomas et al.
 7,007,389 B1 3/2006 Arif
 7,043,841 B2 5/2006 Franzini et al.
 7,043,842 B1 5/2006 Taylor et al.
 7,086,159 B2 8/2006 Motta et al.
 7,127,817 B2 10/2006 Orloff et al.
 7,162,800 B2 1/2007 Orloff et al.
 7,249,416 B2 7/2007 Yamaguchi et al.
 7,266,895 B2 9/2007 Pennella et al.
 D566,333 S * 4/2008 Shoavi D28/44.1
 D566,334 S 4/2008 Shoavi
 7,356,934 B2 4/2008 McCambridge et al.
 7,513,361 B1 4/2009 Mills, Jr.
 7,574,802 B2 8/2009 Pennella
 D627,102 S * 11/2010 Leventhal D28/44.1
 7,877,880 B2 2/2011 Royle
 D635,301 S 3/2011 Cormier
 8,191,262 B2 6/2012 Palmer et al.
 8,424,210 B2 4/2013 Moore
 D697,263 S 1/2014 Szymanski
 8,883,075 B2 11/2014 Henry et al.
 8,959,775 B2 2/2015 Yabuuchi et al.
 D744,164 S 11/2015 Manshoory
 9,630,333 B2 4/2017 Manshoory
 10,434,671 B2 * 10/2019 Manshoory B26B 21/446
 2002/0029478 A1 3/2002 Haws et al.
 2002/0050065 A1 5/2002 Kludjian et al.
 2002/0078570 A1 6/2002 Andrew
 2002/0083600 A1 * 7/2002 Donovan B26B 21/14
 30/526
 2002/0116823 A1 8/2002 Moser et al.
 2004/0255465 A1 12/2004 Pennella et al.
 2005/0028371 A1 2/2005 Kakimoto
 2006/0101647 A1 5/2006 Gilder et al.
 2007/0011879 A1 1/2007 Orloff et al.

2008/0209733 A1 9/2008 Johnson
 2009/0056141 A1 3/2009 Barry et al.
 2009/0205208 A1 8/2009 Azar et al.
 2010/0064521 A1 3/2010 DeLong
 2010/0263219 A1 10/2010 Kempker et al.
 2011/0119923 A1 5/2011 Nicoll et al.
 2011/0131812 A1 6/2011 Erndt et al.
 2011/0252646 A1 * 10/2011 Gordon B26B 21/225
 30/47
 2011/0314677 A1 12/2011 Meier et al.
 2013/0305537 A1 11/2013 Svedman
 2014/0033537 A1 2/2014 Ramakrishnan
 2015/0135542 A1 5/2015 Cook
 2015/0174773 A1 6/2015 Hodgson
 2015/0273710 A1 10/2015 Manshoory
 2015/0290821 A1 10/2015 Manshoory
 2016/0151924 A1 * 6/2016 Gers-Barlag B26B 21/522
 30/34.05
 2017/0274542 A1 9/2017 Manshoory
 2018/0264664 A1 * 9/2018 Manshoory B26B 21/446

FOREIGN PATENT DOCUMENTS

CN 202775771 U 3/2013
 GB 2248033 A 3/1992
 GB 2342884 A 4/2000

OTHER PUBLICATIONS

English Abstract for CN102099159A.
 English Abstract for CN202775771A.
 Ulta, Inc. Purchase Order, 4 pages.
 “Never Miss Out Because of a Missed Spot . . .”, Sphynx Travel
 Razor, retrieved from <http://web.archive.org/web/20160403205939/http://www.sphynxrazor.com>, 2 pages.
 “Buy Now”, Sphynx Travel Razor, retrieved from <http://web.archive.org/web/20160505094239/http://www.sphynxrazor.com>, 2 pages.
 Manshoory Declaration.

* cited by examiner

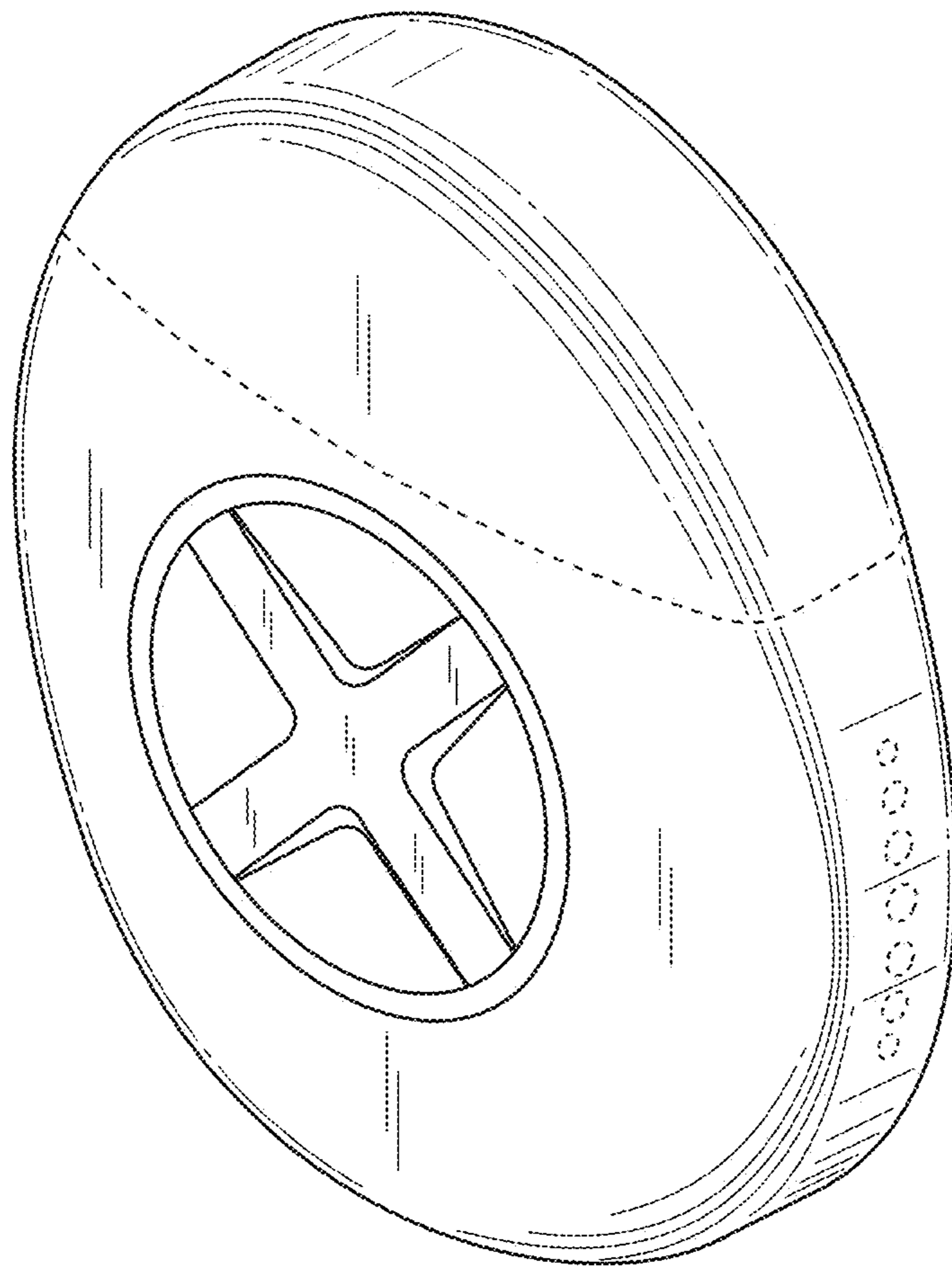


FIG. 1

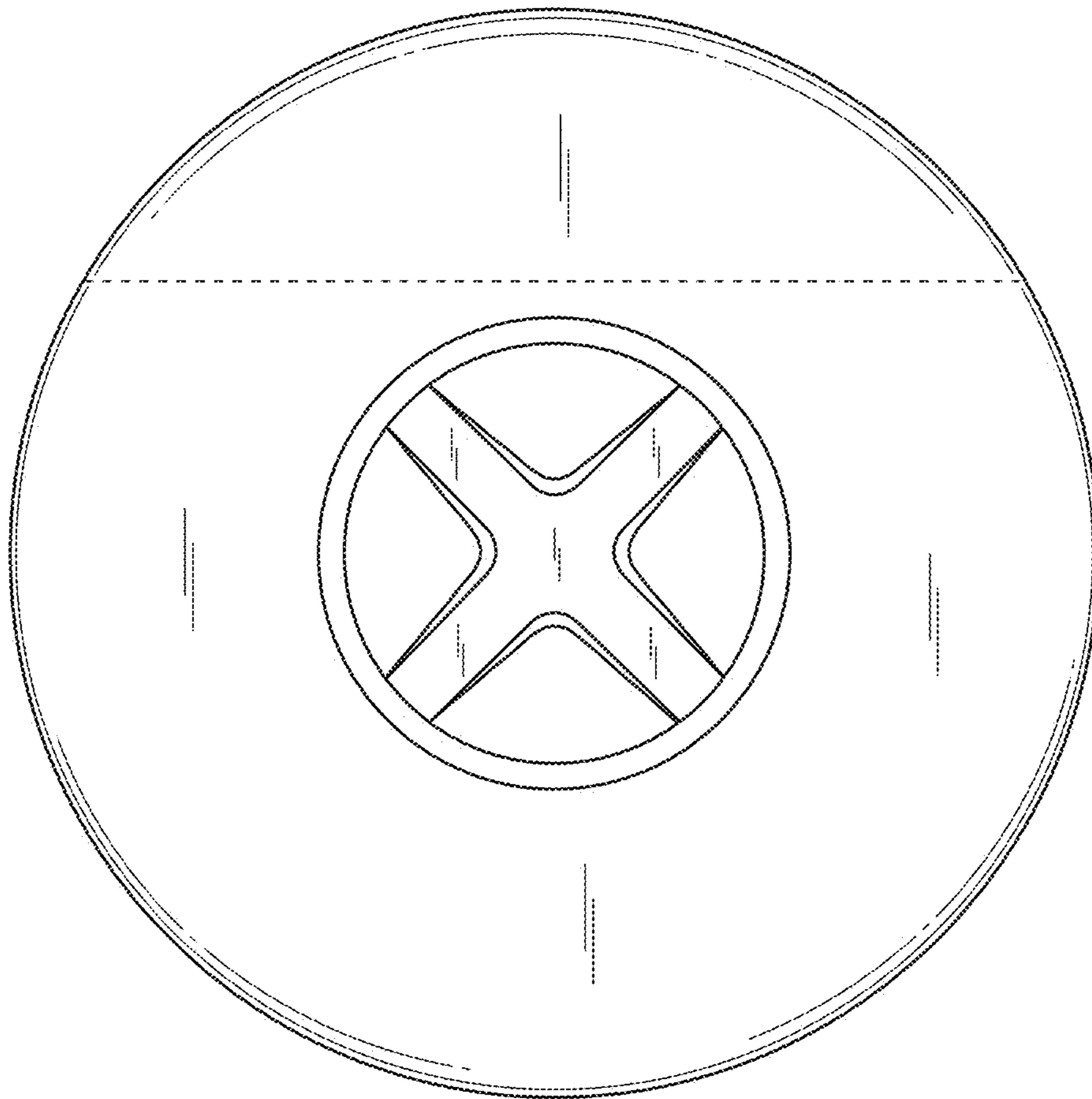


FIG. 2

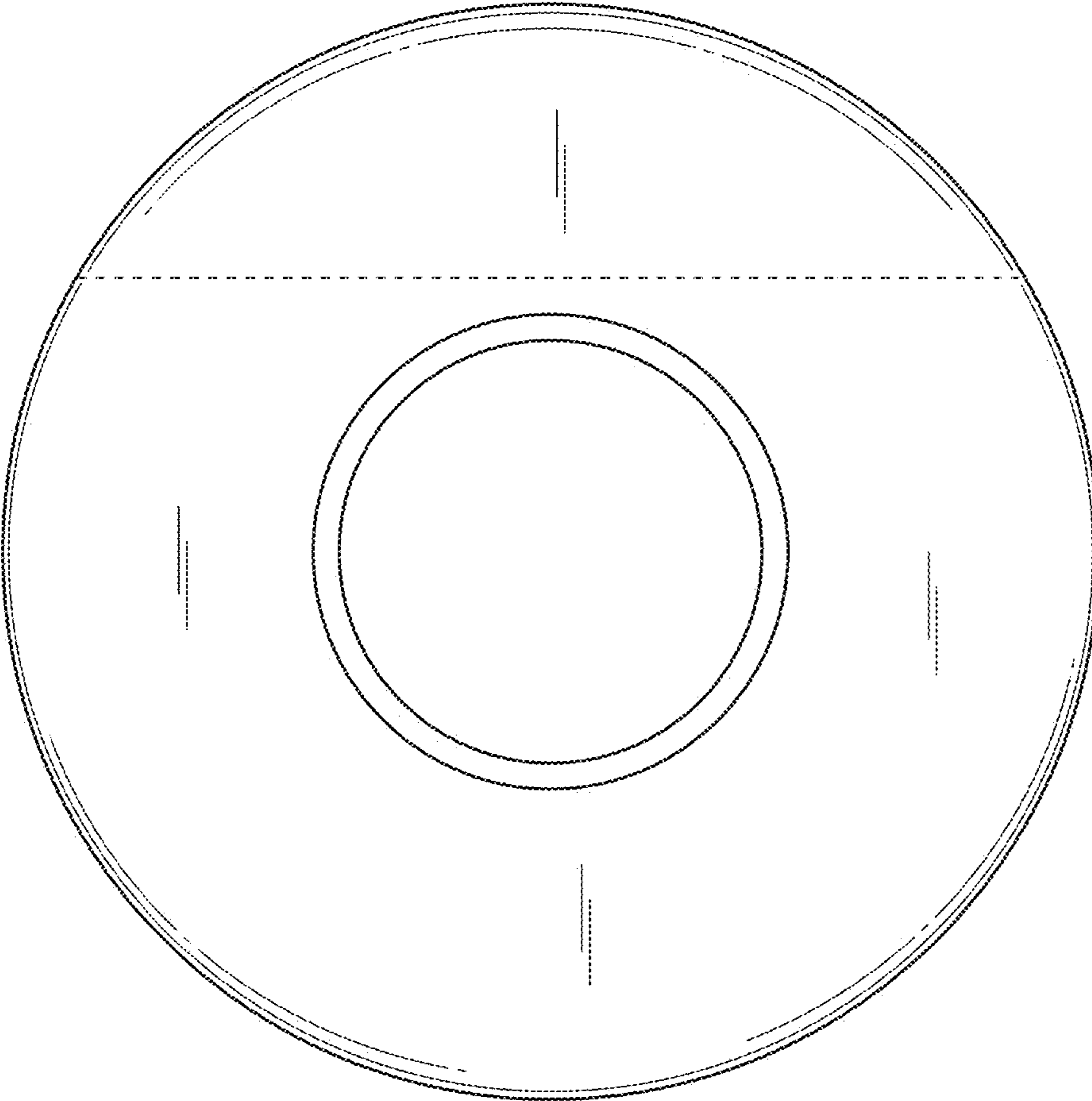


FIG. 3

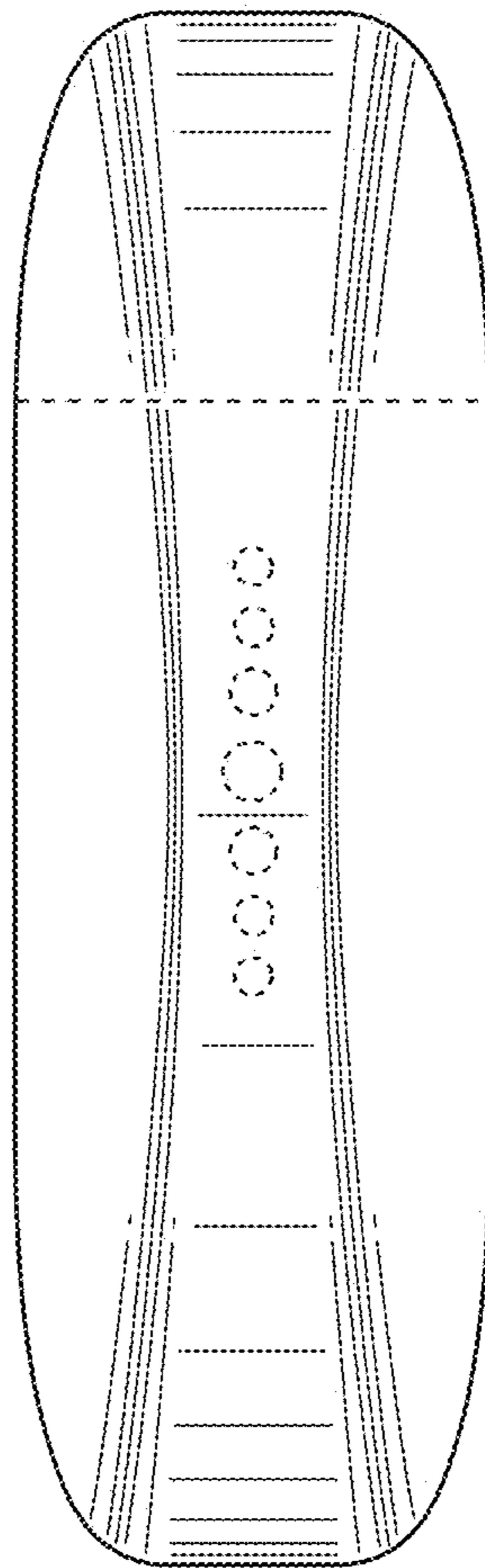


FIG. 4

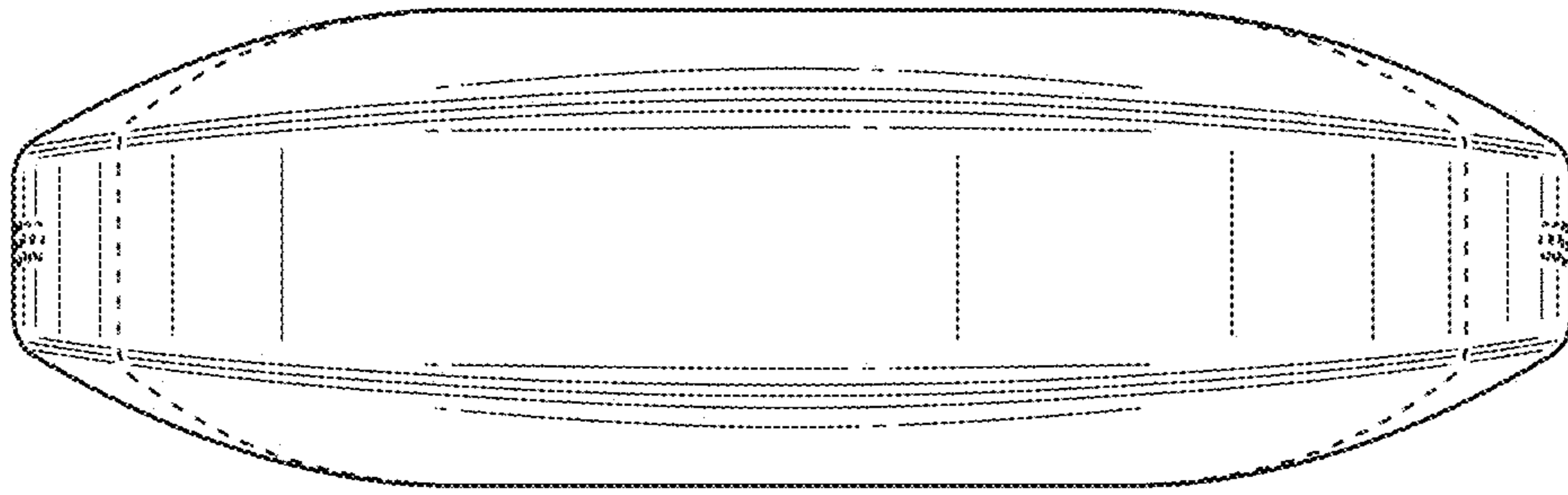


FIG. 5

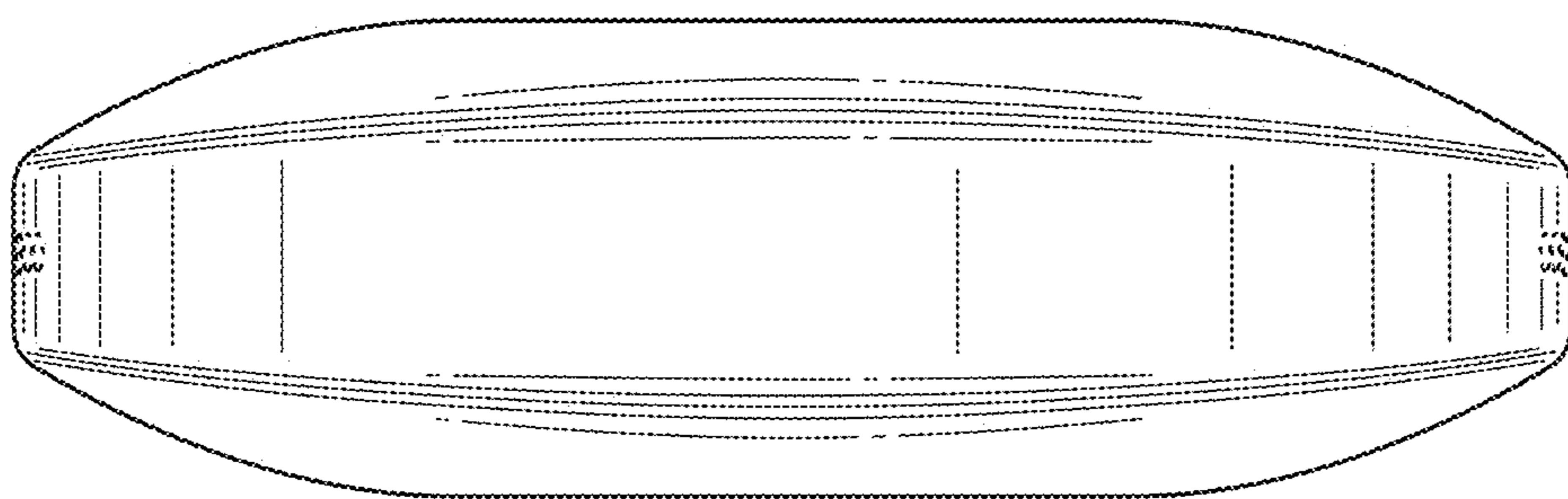


FIG. 6