



US00D896441S

(12) **United States Design Patent**
Orlando

(10) **Patent No.:** **US D896,441 S**

(45) **Date of Patent:** **** Sep. 15, 2020**

(54) **HAIR ACCESSORY**

(71) Applicant: **Willa Jeanne LLC**, Las Vegas, NV
(US)

(72) Inventor: **Joanna I. Orlando**, Henderson, NV
(US)

(73) Assignee: **Willa Jeanne LLC**, Las Vegas, NV
(US)

(**) Term: **15 Years**

(21) Appl. No.: **29/654,356**

(22) Filed: **Jun. 22, 2018**

(51) **LOC (12) Cl.** **28-03**

(52) **U.S. Cl.**
USPC **D28/40**

(58) **Field of Classification Search**
USPC D28/10, 21, 25, 27, 32, 33, 34, 35, 39,
D28/40, 41, 42, 43

(Continued)

(56) **References Cited**

U.S. PATENT DOCUMENTS

2,599,916 A * 6/1952 Holden A44C 1/00
63/43

D404,522 S * 1/1999 Kip D28/18
(Continued)

OTHER PUBLICATIONS

EZZBEEDO it yourself, announced Aug. 27, 2018 [online], retrieved Feb. 3, 2020, retrieved from internet, <https://www.youtube.com/watch?v=riASBh0mlh8>.*

Primary Examiner — Barbara Fox

Assistant Examiner — Messina L Smith

(74) *Attorney, Agent, or Firm* — Howard & Howard
Attorneys PLLC

(57) **CLAIM**

The ornamental design for a hair accessory, as shown and described.

DESCRIPTION

FIG. 1 is a front perspective view of a hair accessory showing the new design in a first embodiment;

FIG. 2 is a second front perspective view of the hair accessory of FIG. 1 shown in an open configuration;

FIG. 3 is a rear perspective view of the hair accessory of FIG. 1;

FIG. 4 is a top perspective view thereof;

FIG. 5 is a front view thereof;

FIG. 6 is a rear view thereof;

FIG. 7 is a right side view thereof;

FIG. 8 is a left side view thereof;

FIG. 9 is a top view thereof;

FIG. 10 is a bottom view thereof;

FIG. 11 is a front perspective view of the hair accessory shown in a second embodiment;

FIG. 12 is another front perspective view of the hair accessory of FIG. 11 shown in an open configuration;

FIG. 13 is a rear perspective view of the hair accessory of FIG. 11;

FIG. 14 is a top perspective view thereof;

FIG. 15 is a front view thereof;

FIG. 16 is a rear view thereof;

FIG. 17 is a right side view thereof;

FIG. 18 is a left side view thereof;

FIG. 19 is a top view thereof;

FIG. 20 is a bottom view thereof;

FIG. 21 is a front perspective view of the hair accessory shown in a third embodiment;

FIG. 22 is another front perspective view of the hair accessory of FIG. 21 shown in an open configuration;

FIG. 23 is another front perspective view of the hair accessory shown in an open configuration with the jeweled attachment shown separately to show aspects of the design that are not visible when combined;

FIG. 24 is a rear perspective view of the hair accessory of FIG. 21;

FIG. 25 is a top perspective view thereof;

FIG. 26 is a front view thereof;

(Continued)

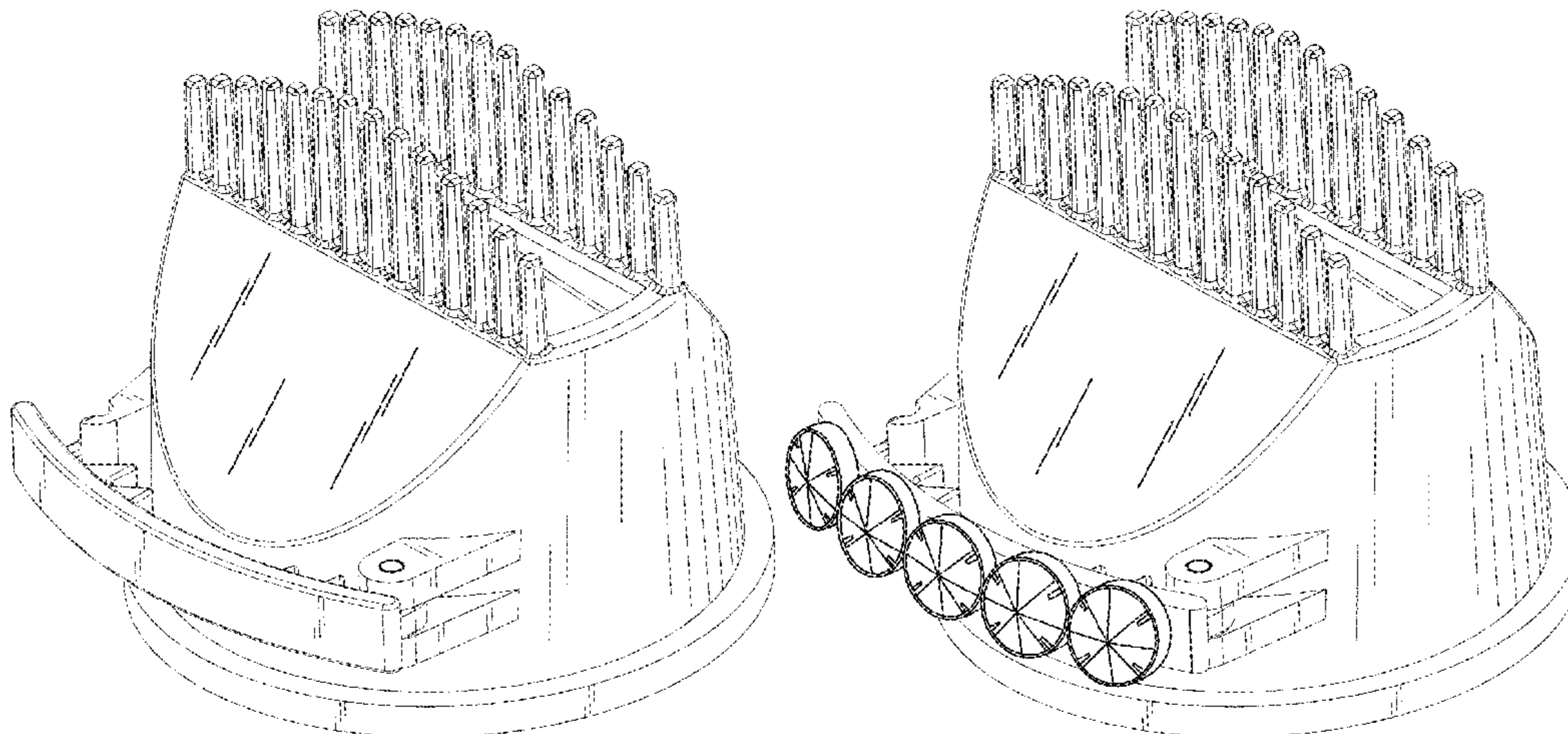


FIG. 27 is a rear view thereof;
 FIG. 28 is a right side view thereof;
 FIG. 29 is a left side view thereof;
 FIG. 30 is a top view thereof; and,
 FIG. 31 is a bottom view thereof.
 The broken lines in the drawings depict portions of the hair
 accessory that form no part of the claimed design.

1 Claim, 31 Drawing Sheets

(58) **Field of Classification Search**

CPC A45D 6/045; A45D 8/00; A45D 8/002;
 A45D 8/004; A45D 8/006; A45D 8/008;
 A45D 8/02; A45D 8/06; A45D 8/08;
 A45D 8/10; A45D 8/12; A45D 8/14;
 A45D 8/16; A45D 8/18; A45D 8/20;
 A45D 8/22; A45D 8/24; A45D 8/26;
 A45D 8/28; A45D 8/30; A45D 8/32

See application file for complete search history.

(56)

References Cited

U.S. PATENT DOCUMENTS

D412,221	S *	7/1999	Semrad-Drutz	D28/42
D433,183	S *	10/2000	Kwong	D28/18
D450,884	S *	11/2001	Yoshida	D28/20
D502,571	S *	3/2005	Croes-Stoffer	D28/41
D526,442	S *	8/2006	Kim	D28/41
D736,102	S *	8/2015	Tsai	D9/723
D764,099	S *	8/2016	Boss	D28/41
D805,689	S *	12/2017	Gaon	D28/25
D827,927	S *	9/2018	Tokko	D28/10
D836,838	S *	12/2018	Sze	D28/43
D837,449	S *	1/2019	Sze	D28/43
D849,324	S *	5/2019	Bremner	D28/40
D869,766	S *	12/2019	Gu	D28/42
2011/0088429	A1 *	4/2011	Carter	A44C 11/002 63/43

* cited by examiner

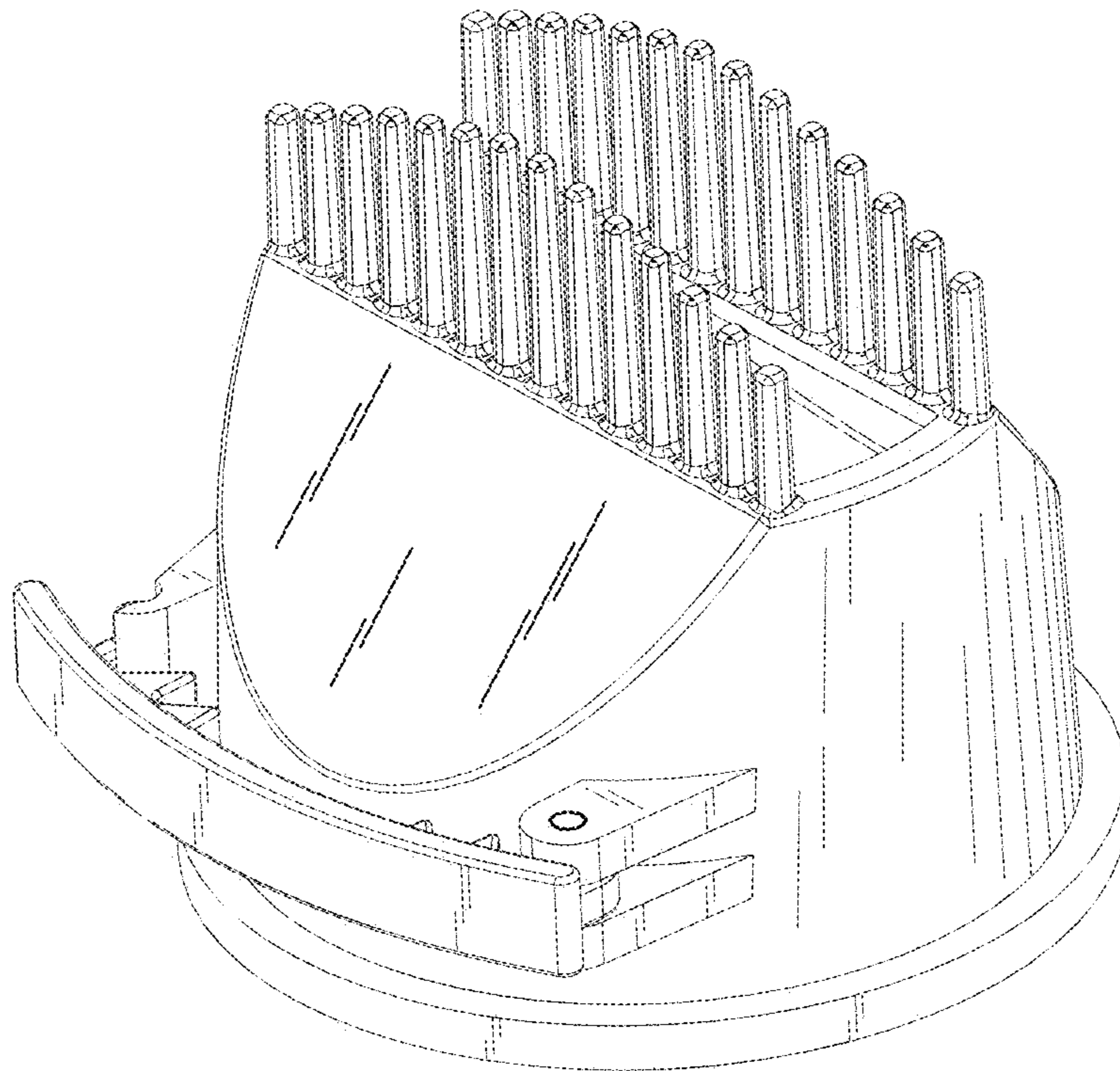


FIG. 1

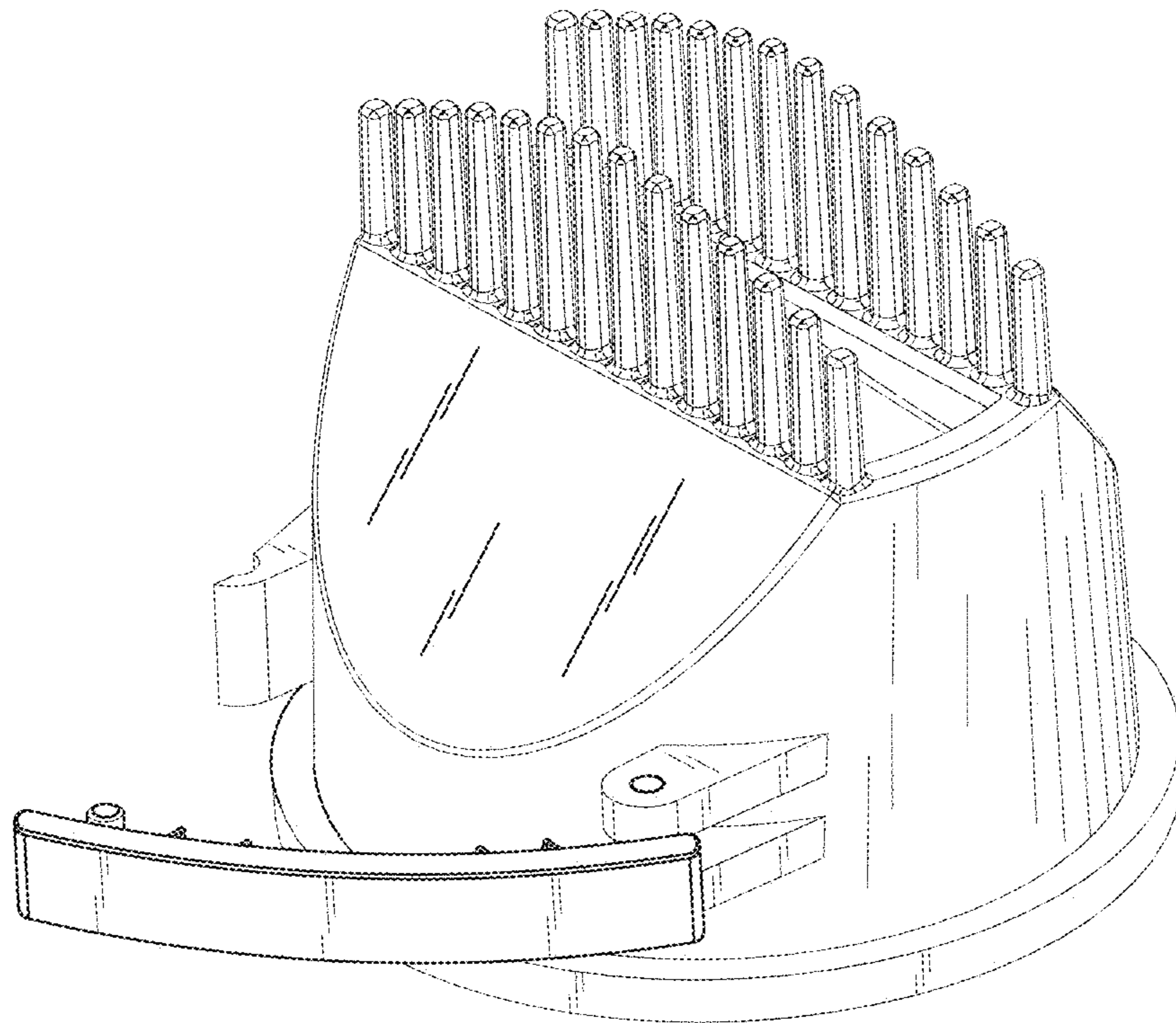


FIG. 2

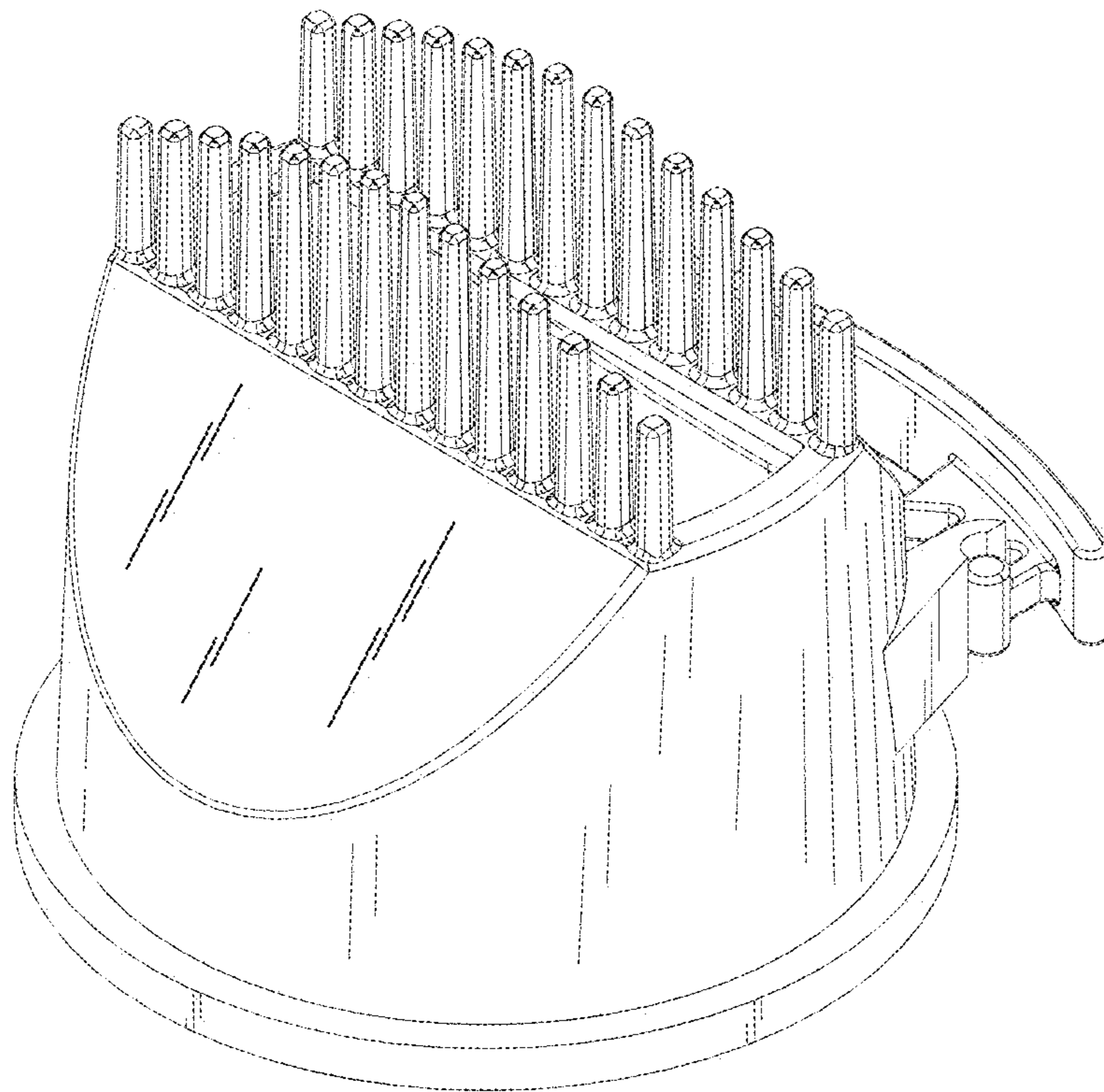


FIG. 3

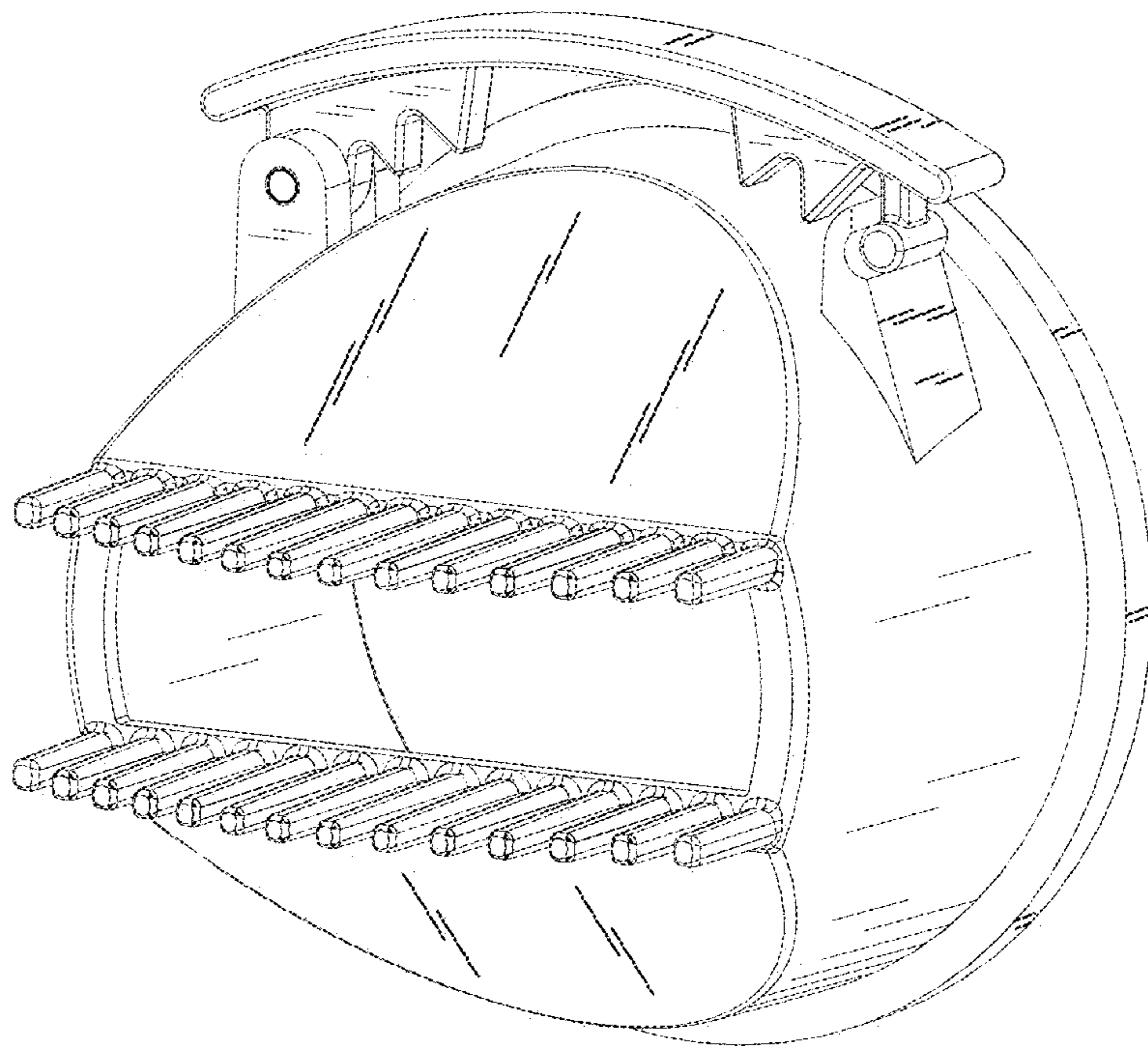


FIG. 4

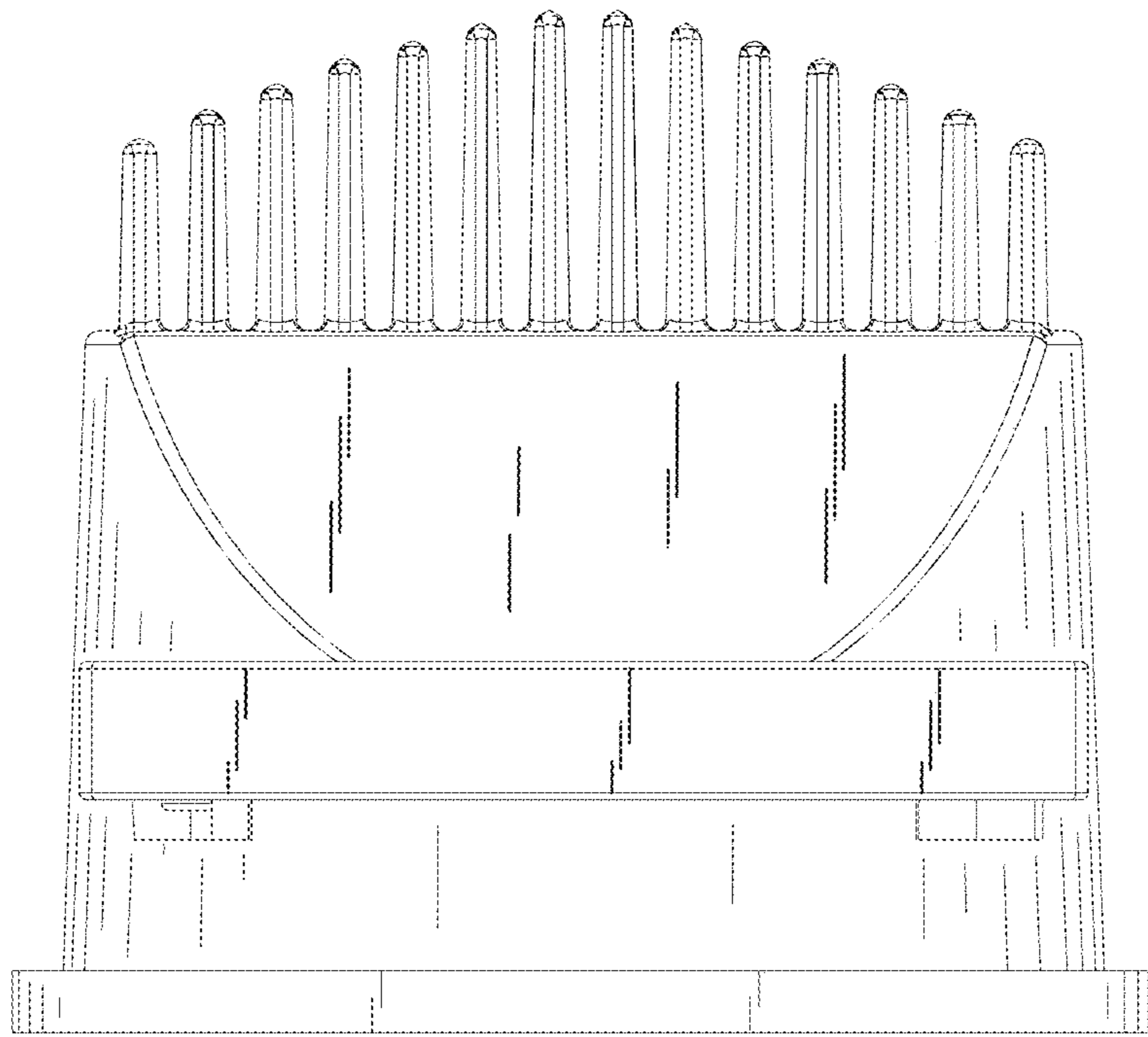


FIG. 5

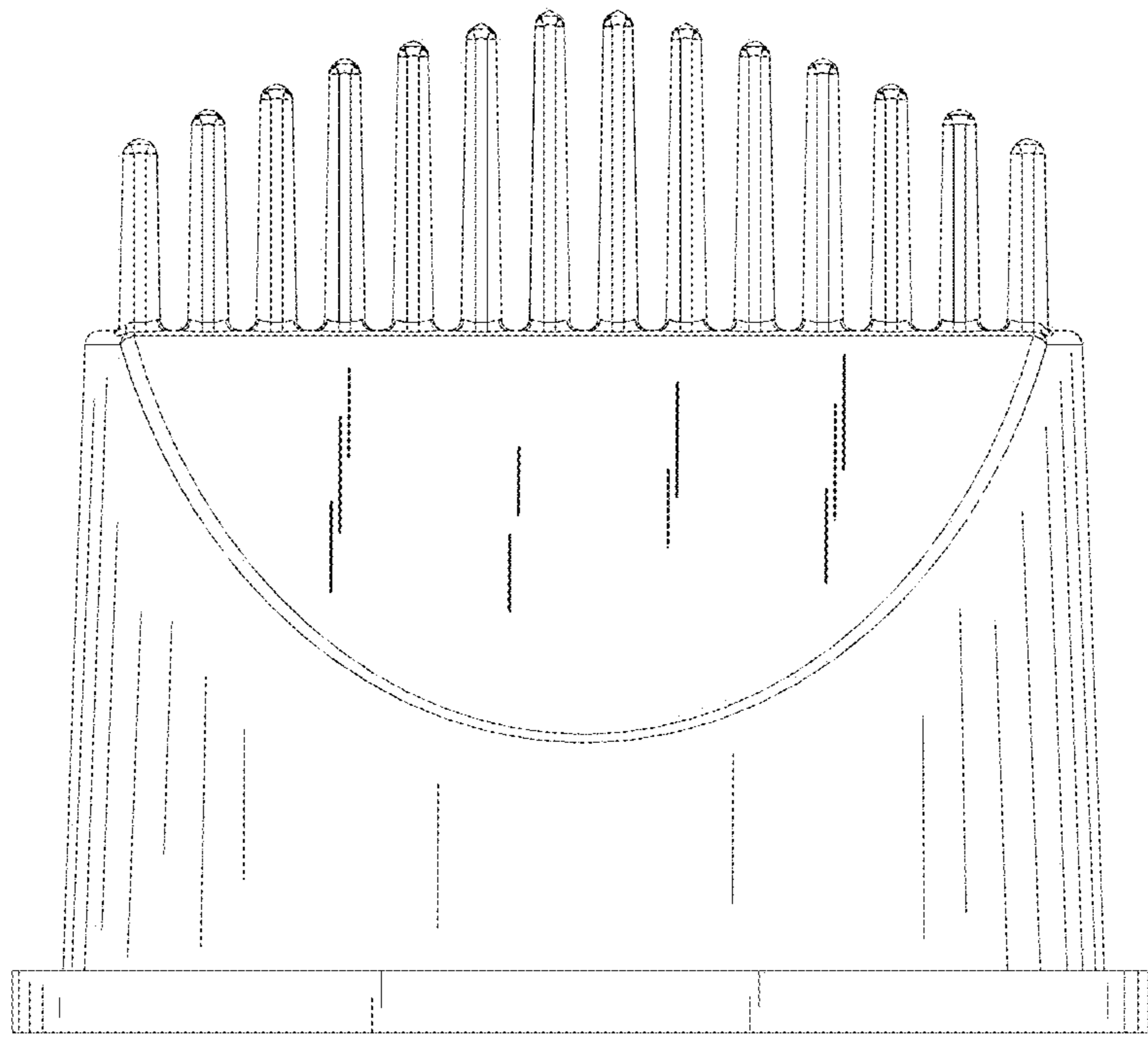


FIG. 6

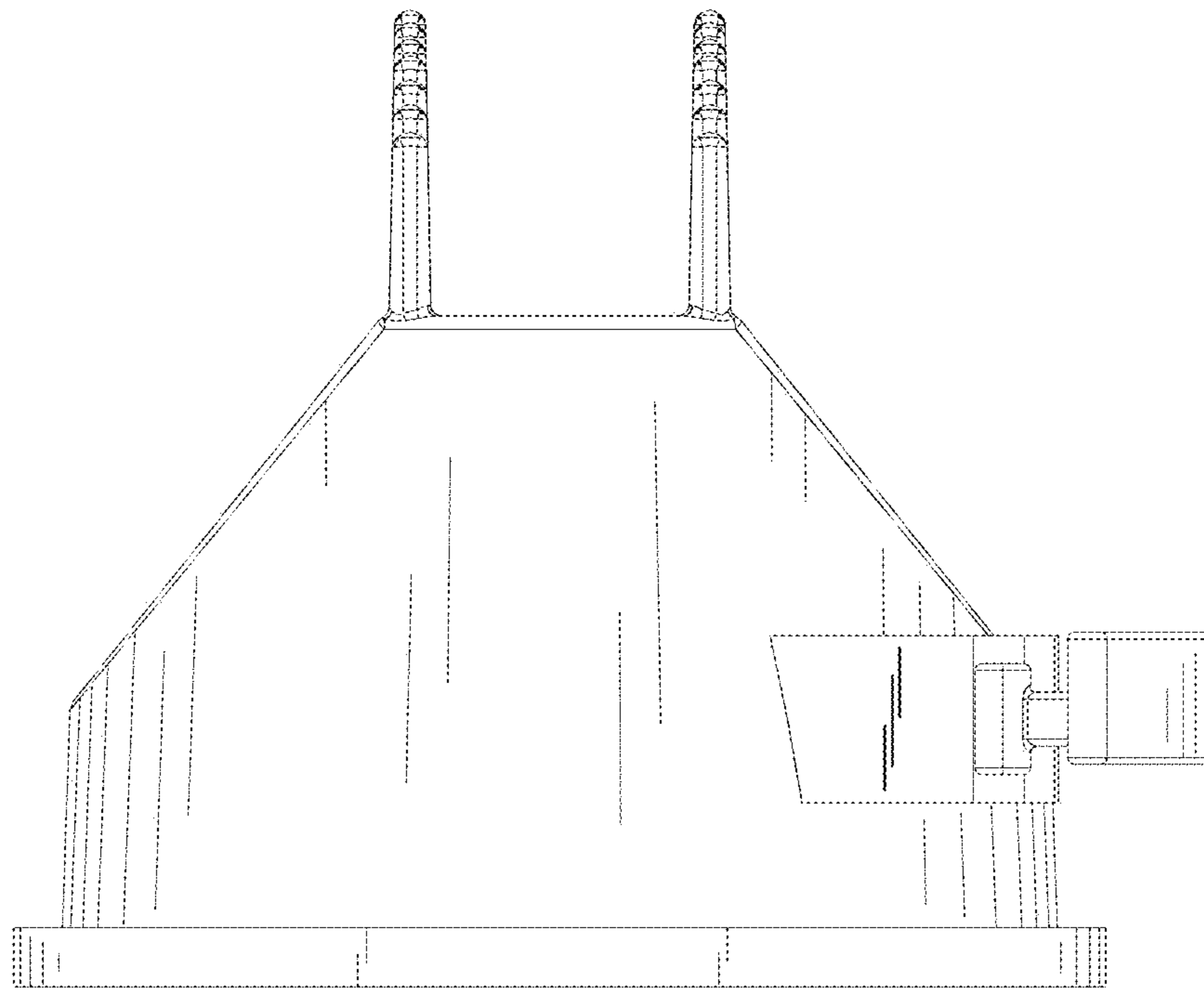


FIG. 7

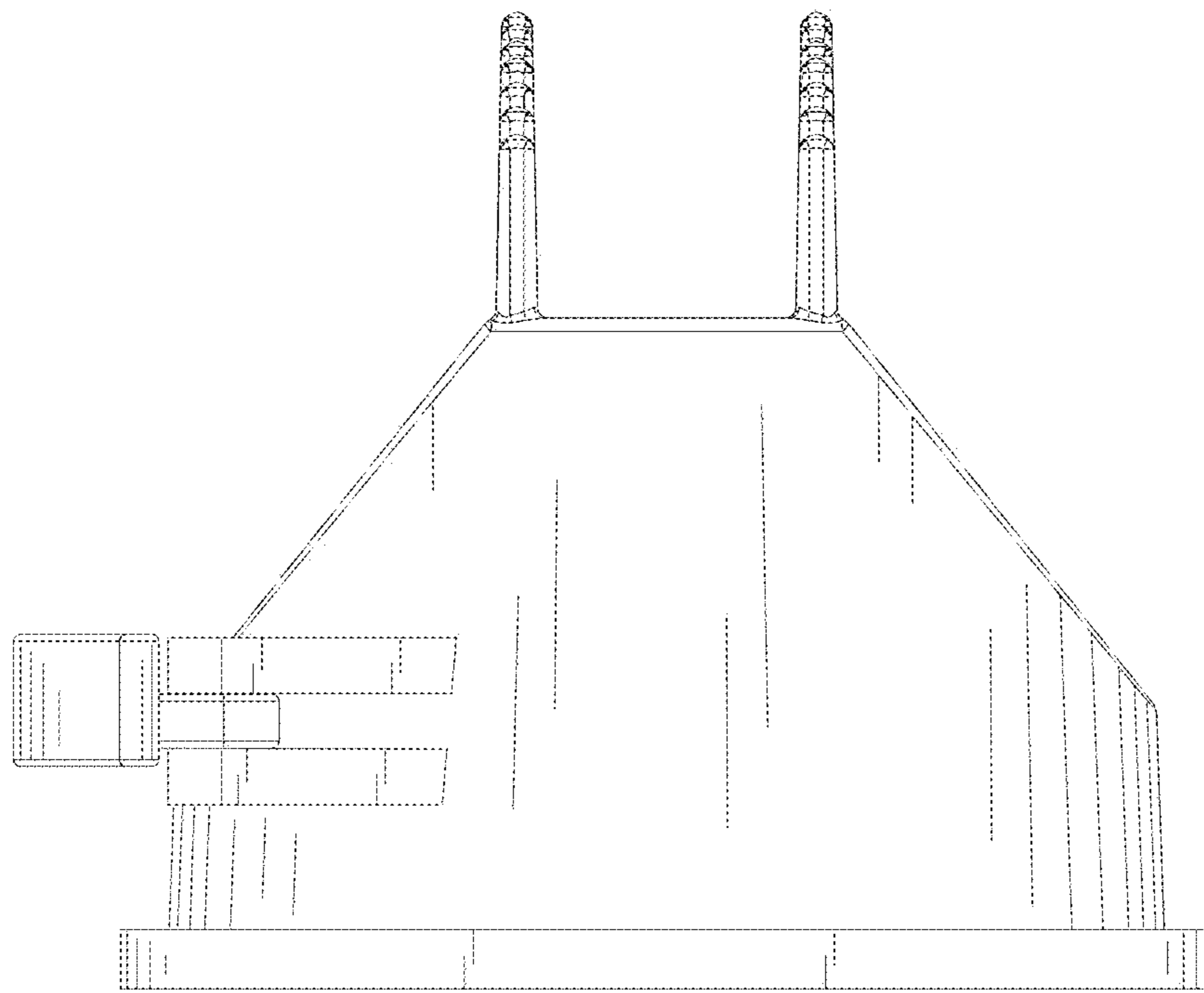


FIG. 8

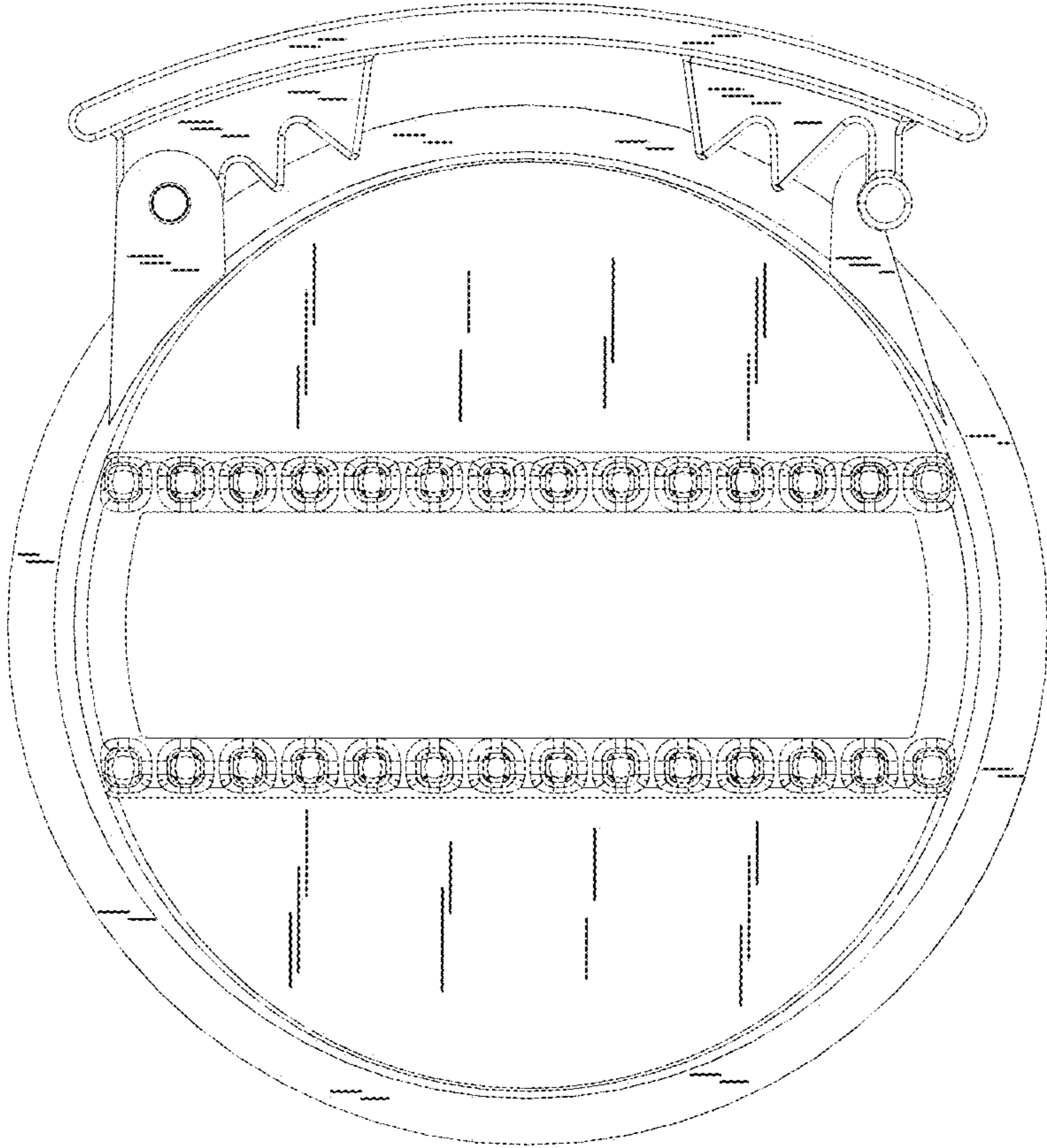


FIG. 9

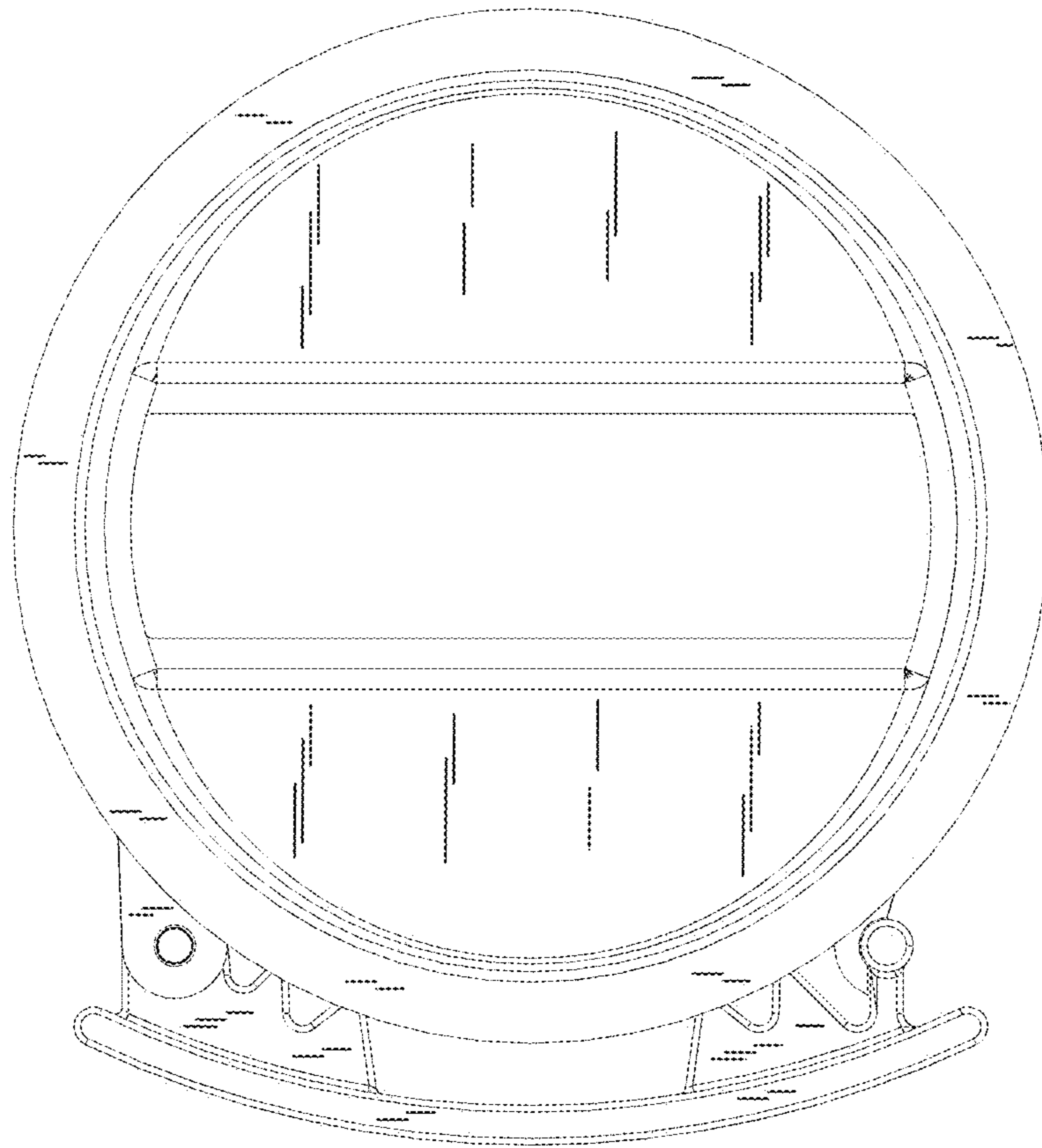


FIG. 10

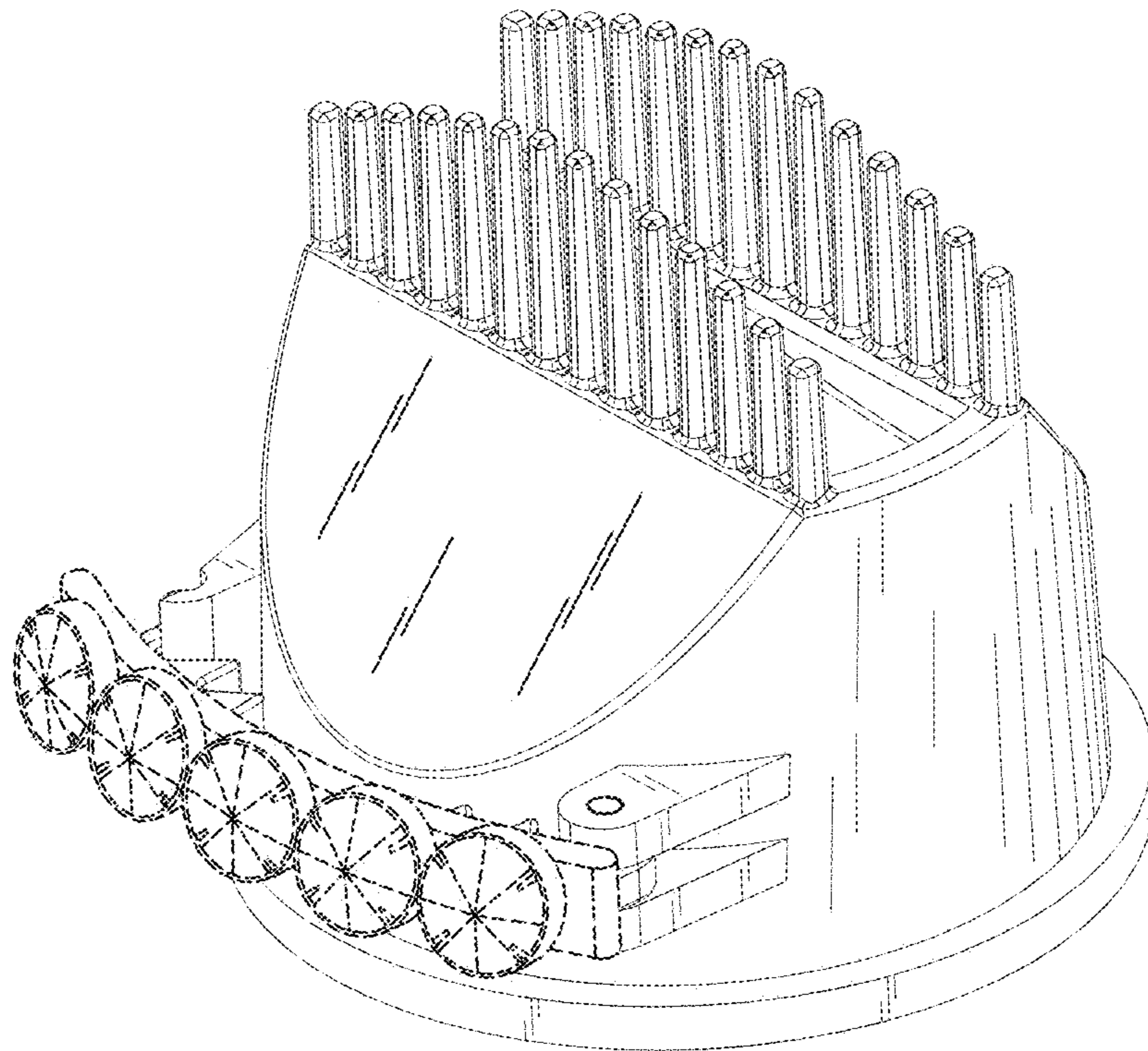


FIG. 11

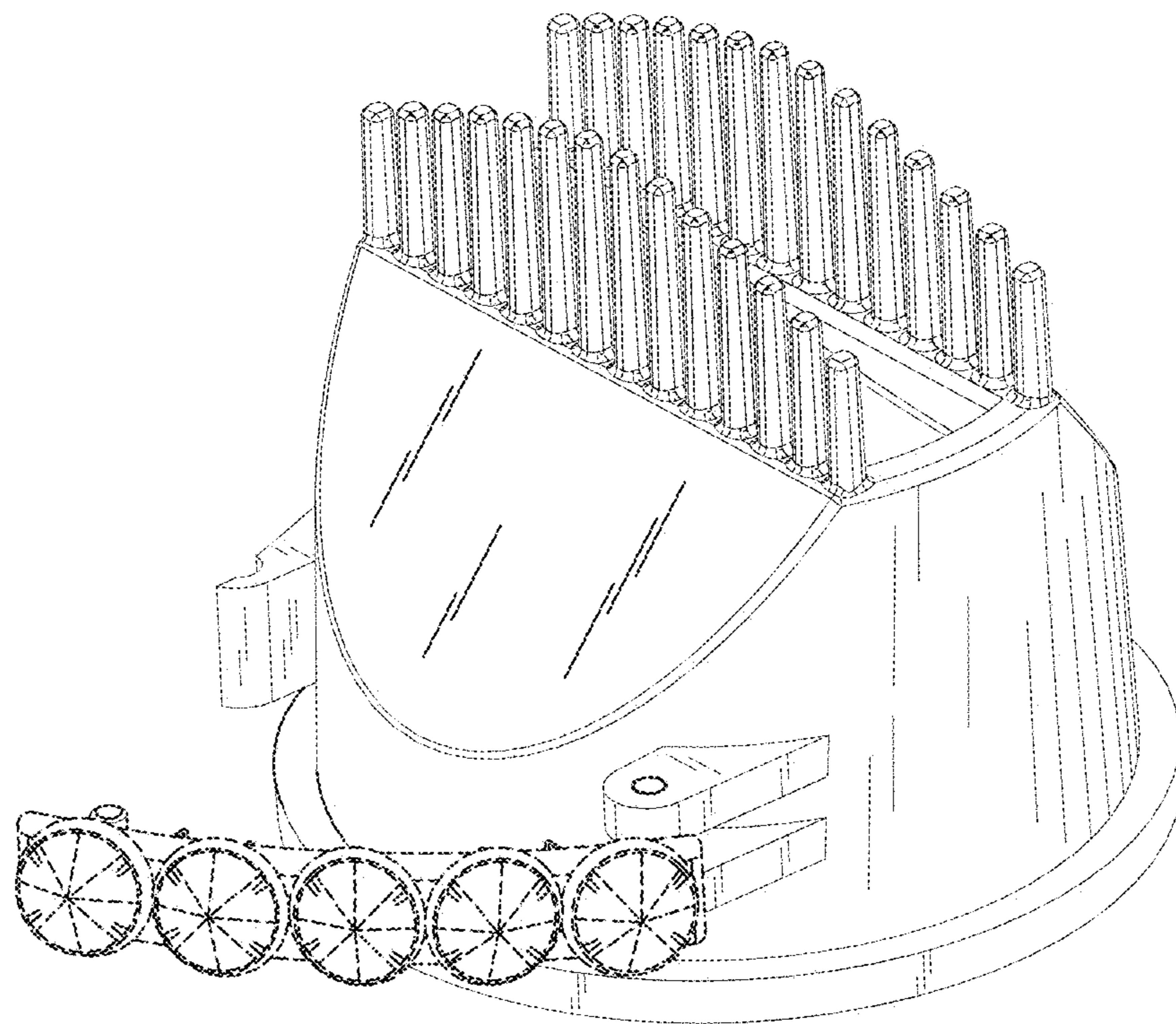


FIG. 12

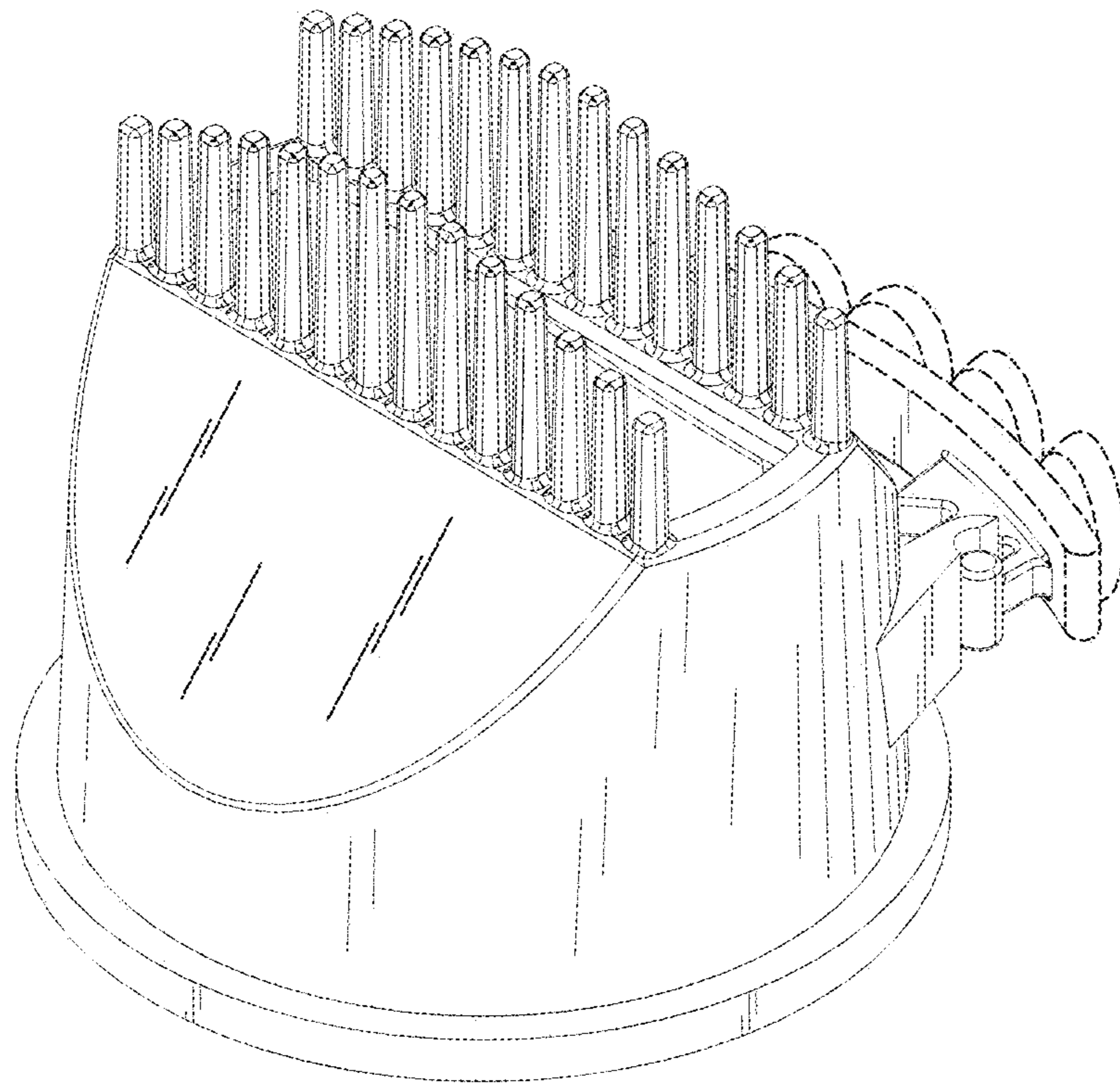


FIG. 13

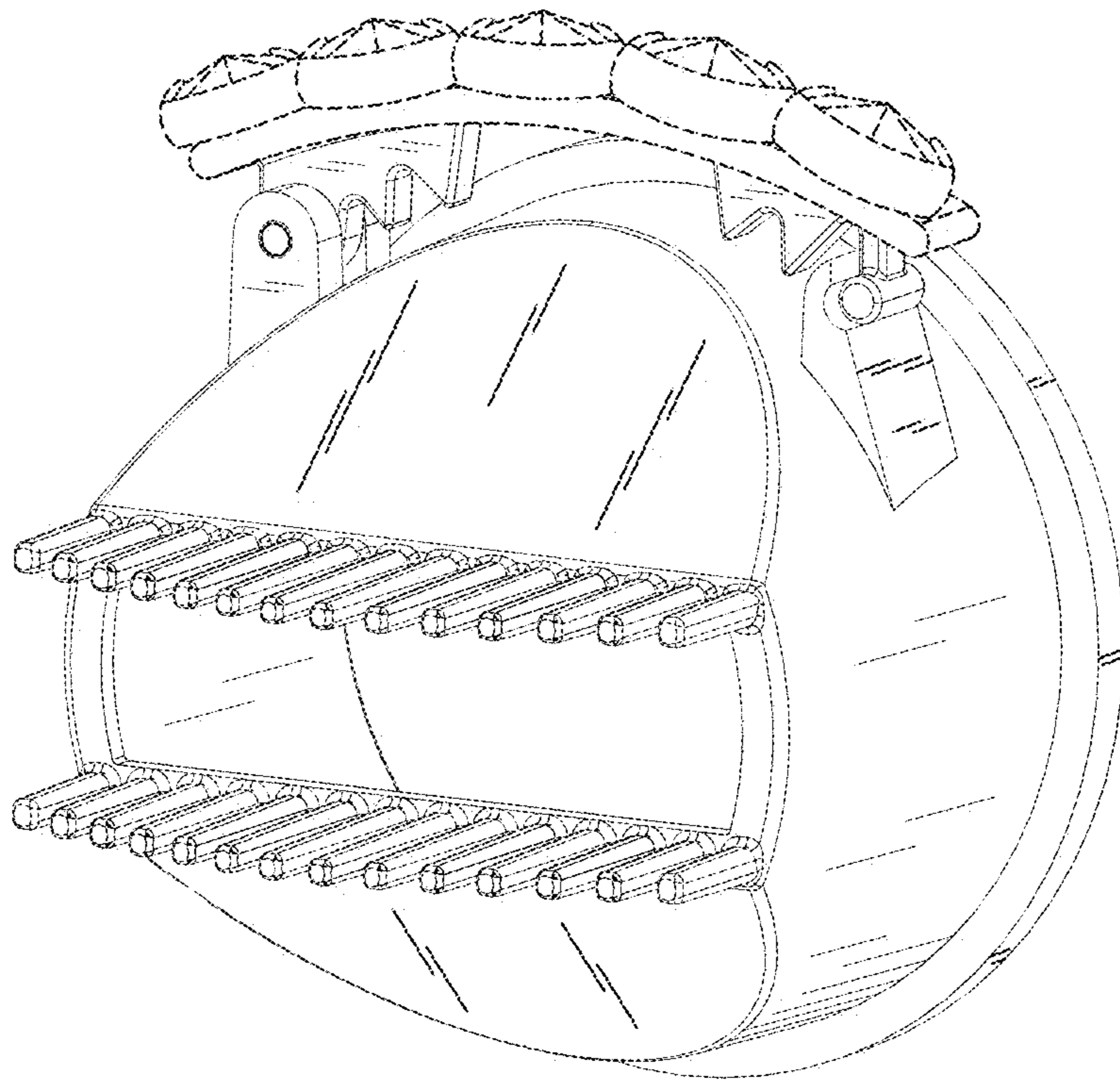


FIG. 14

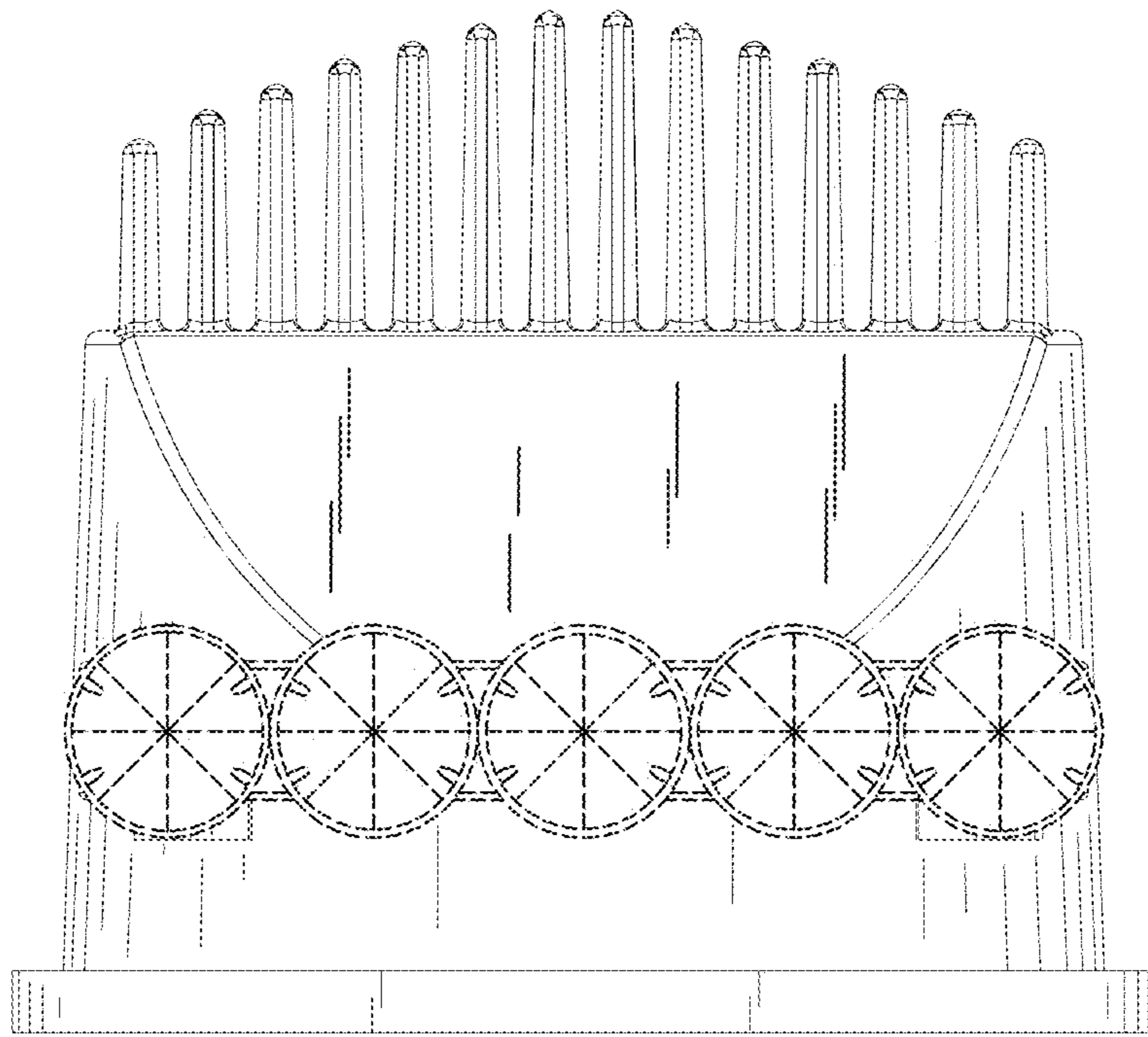


FIG. 15

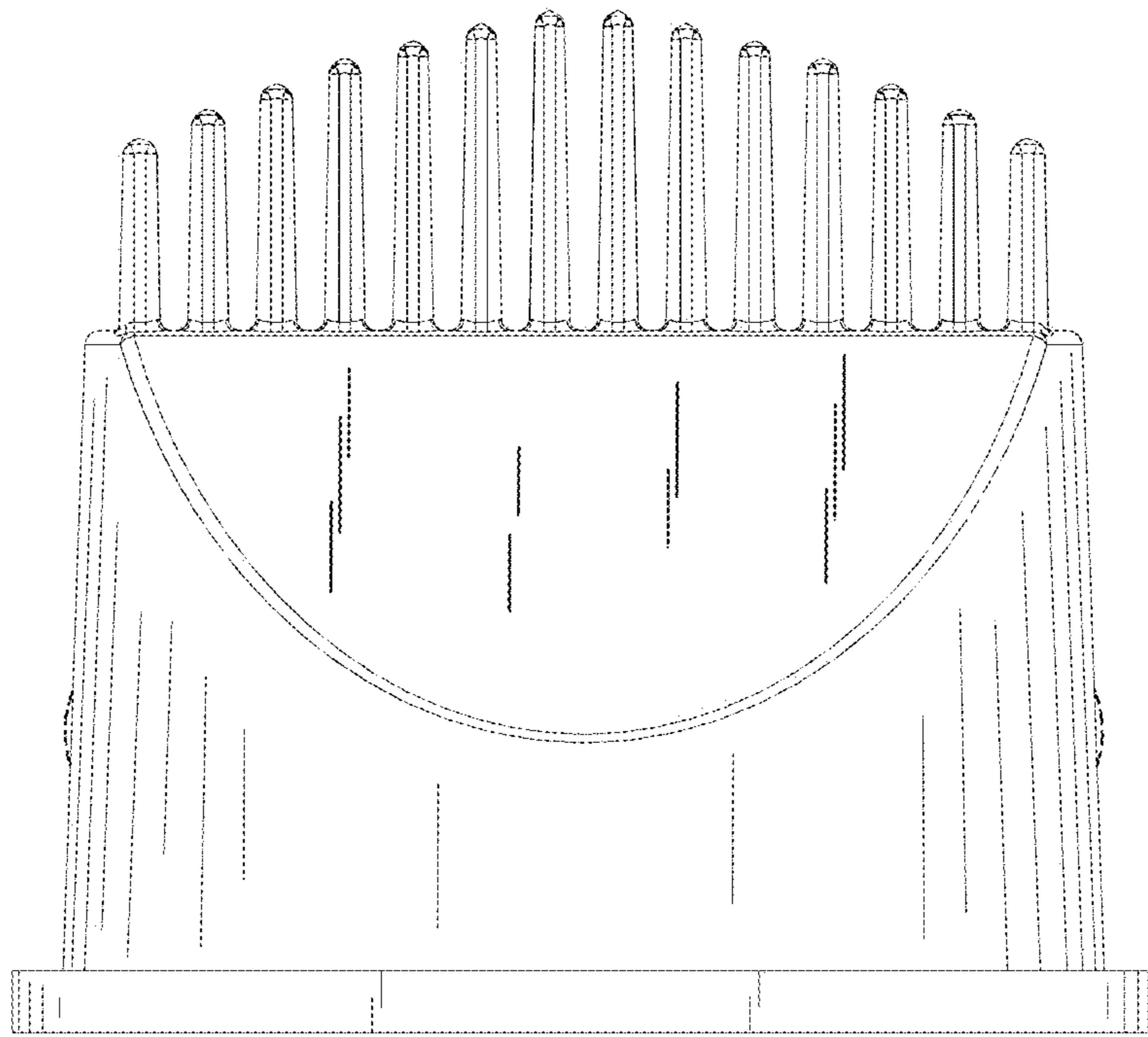


FIG. 16

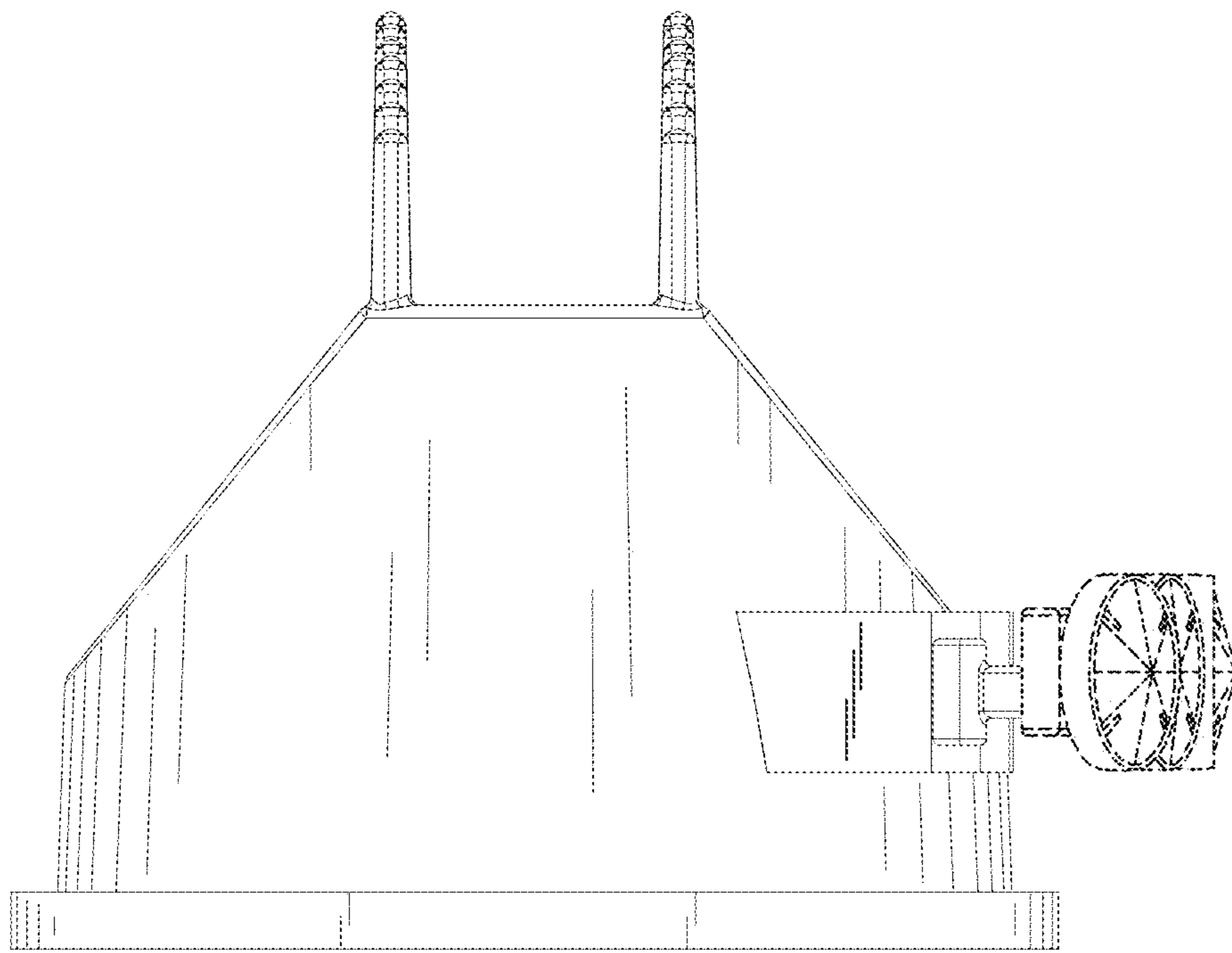


FIG. 17

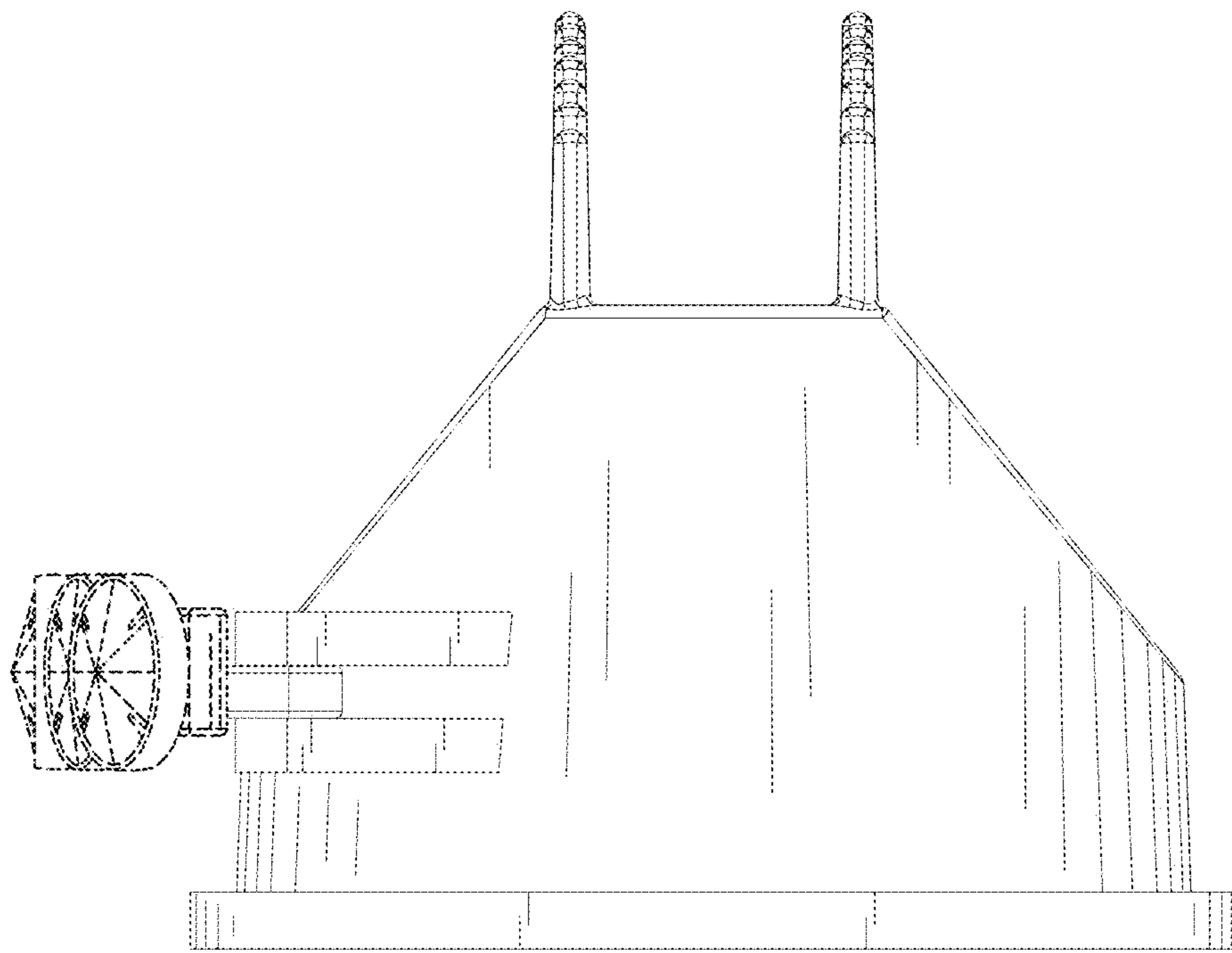


FIG. 18

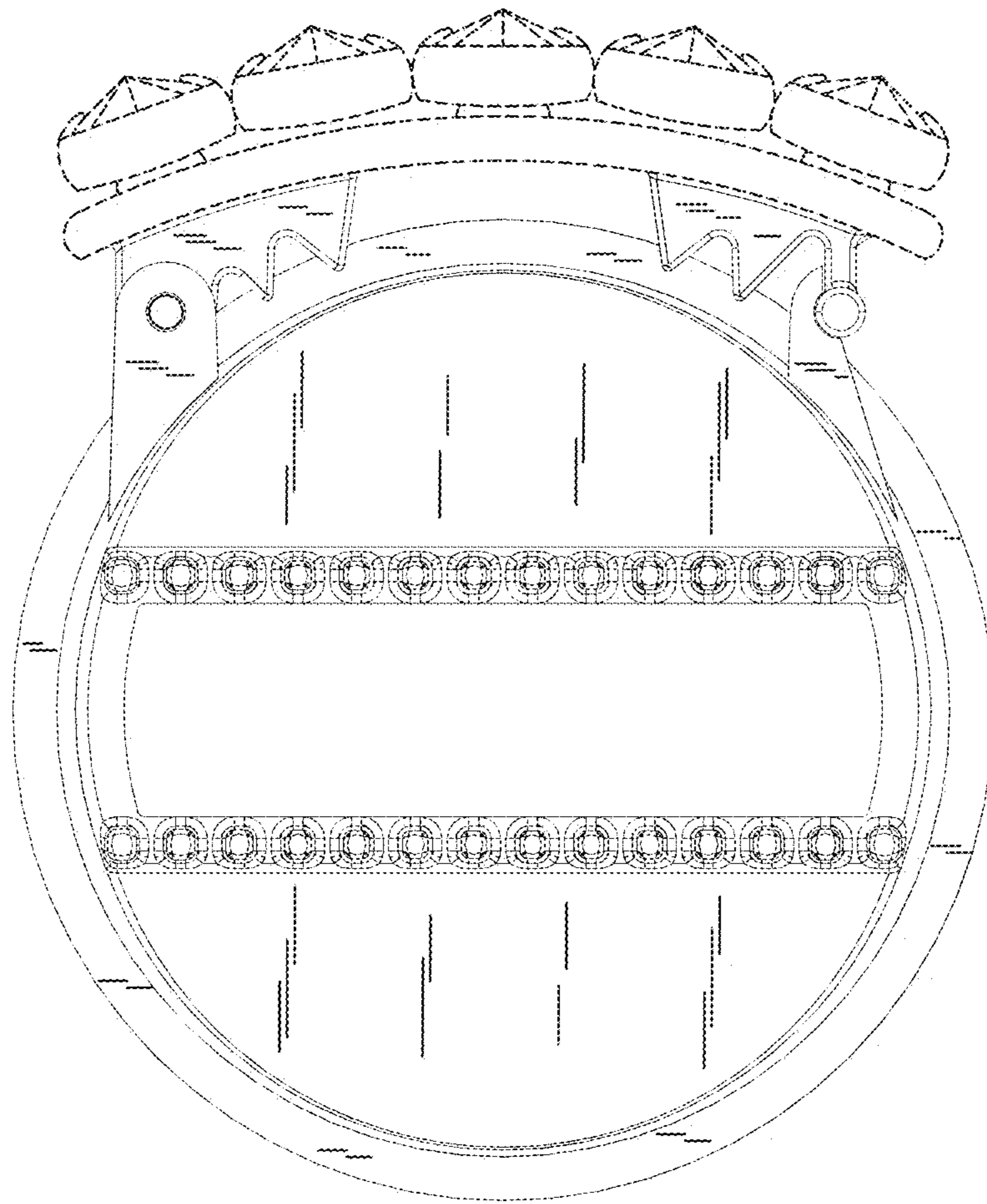


FIG. 19

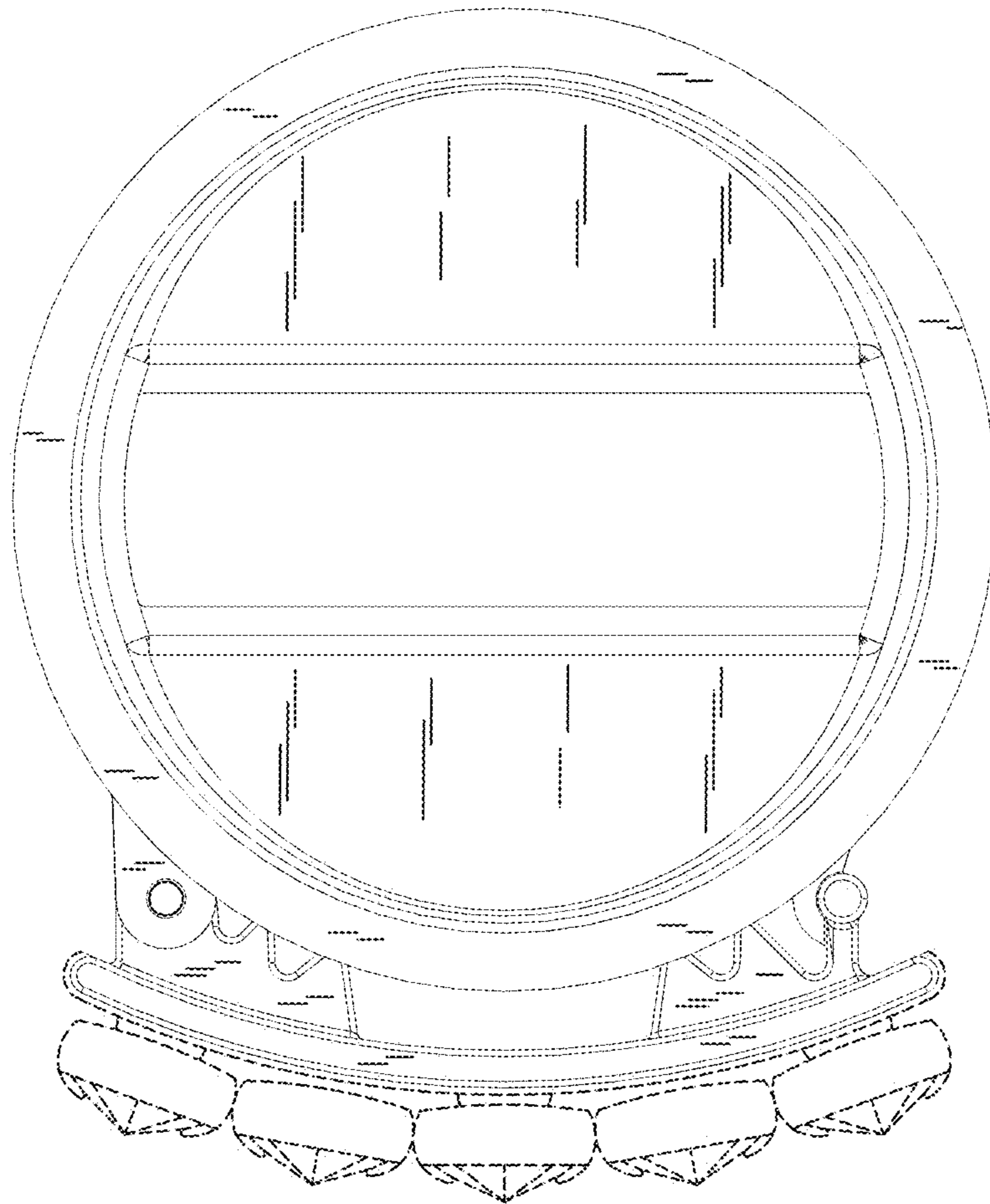


FIG. 20

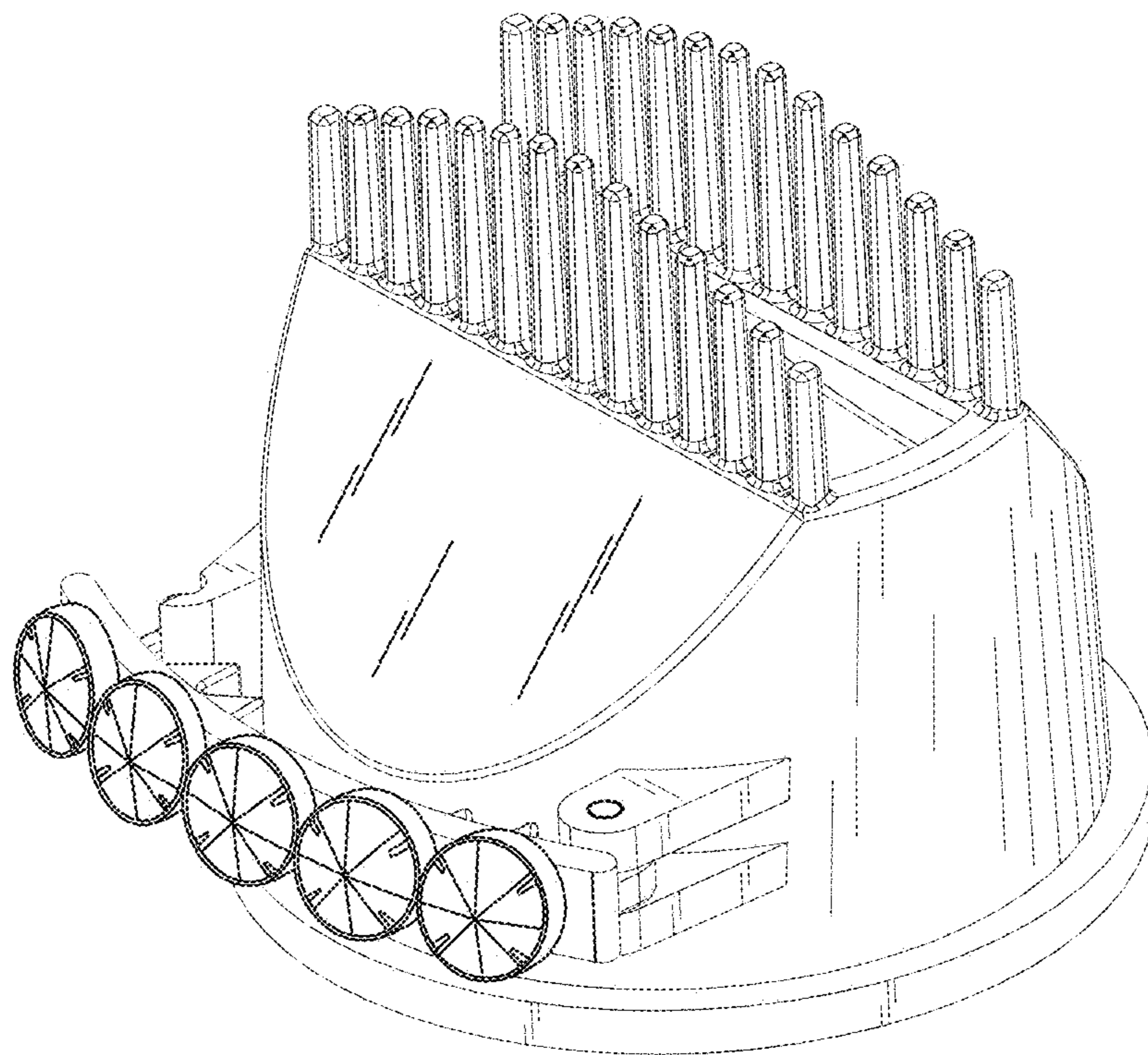


FIG. 21

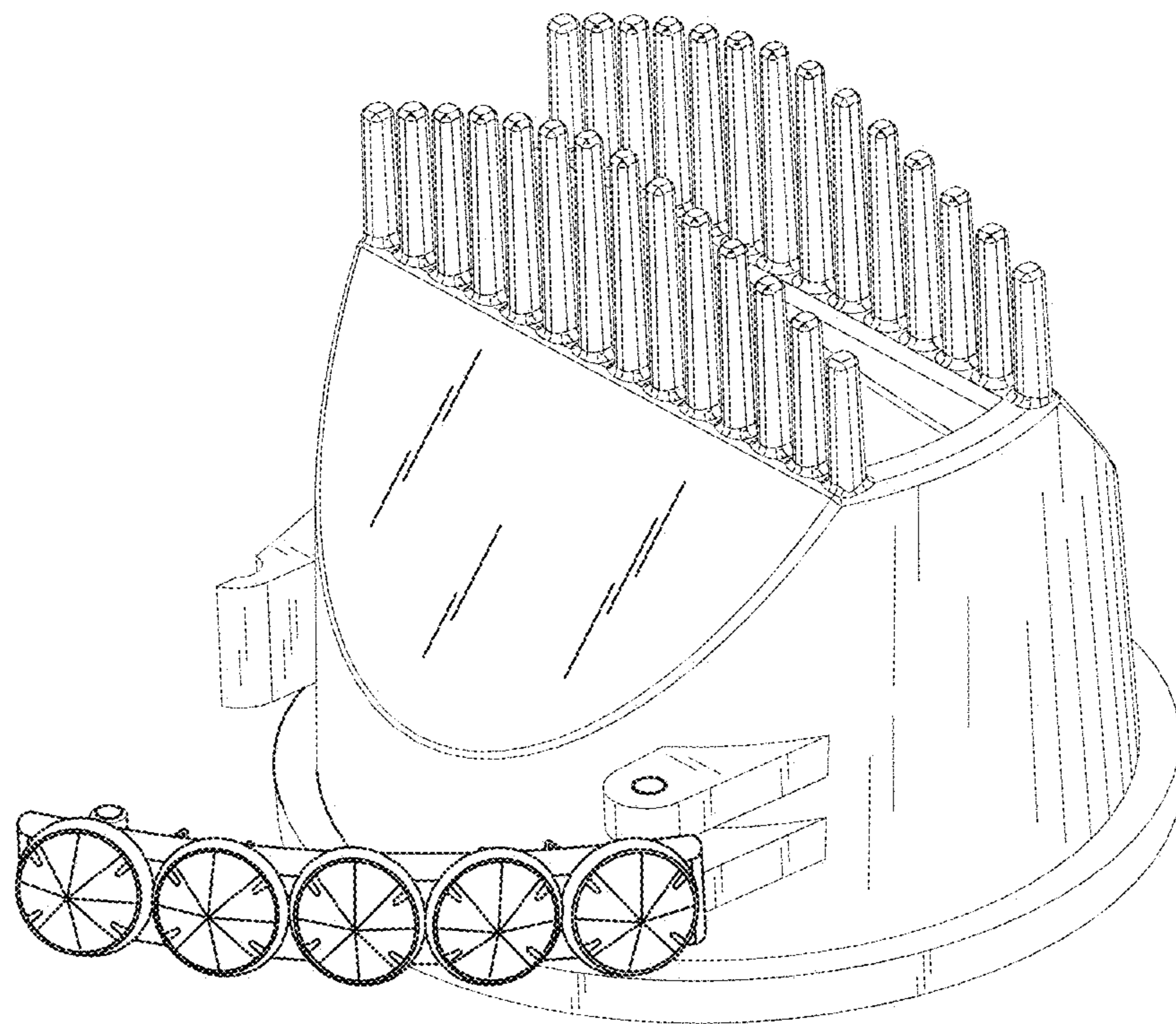


FIG. 22

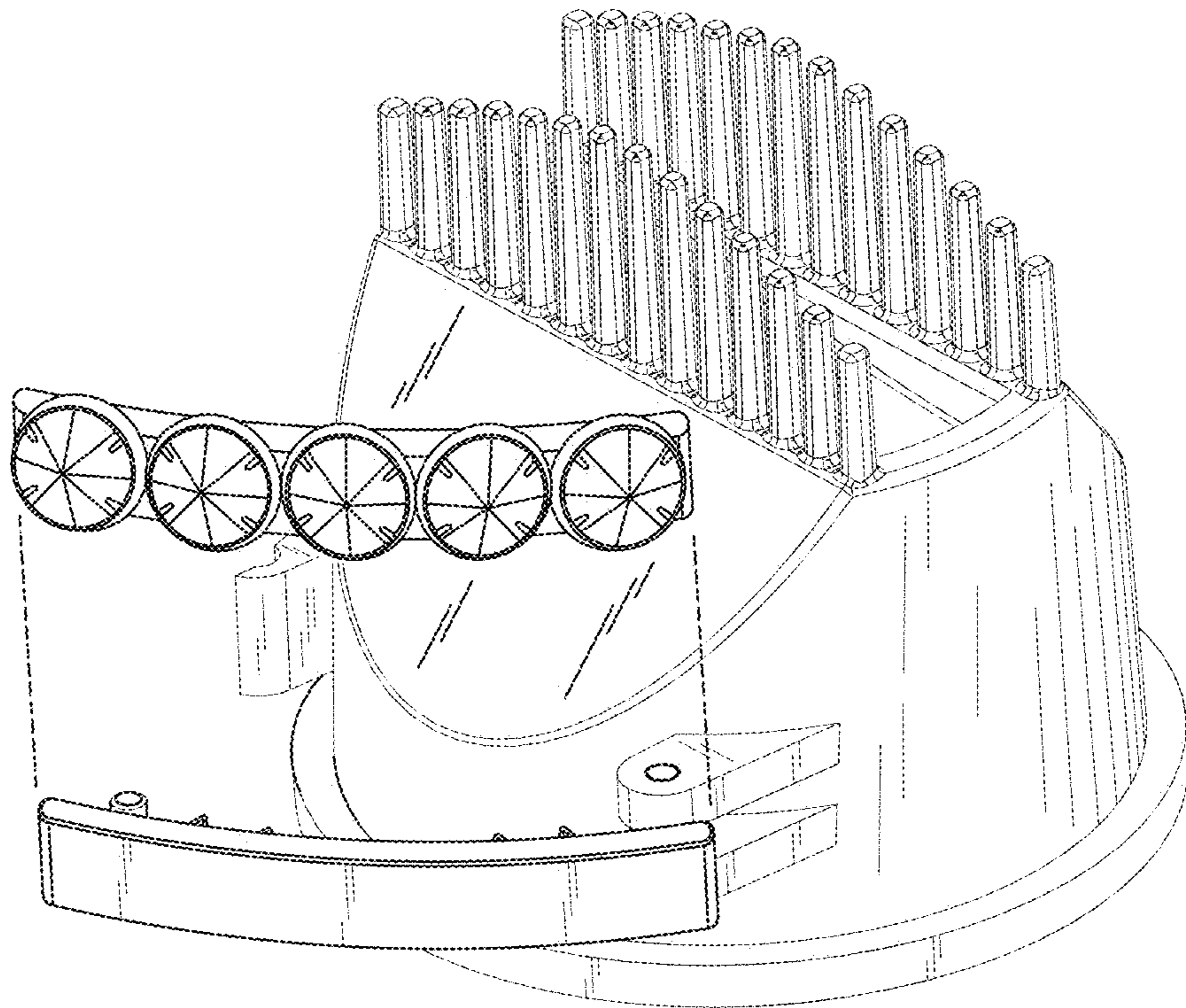


FIG. 23

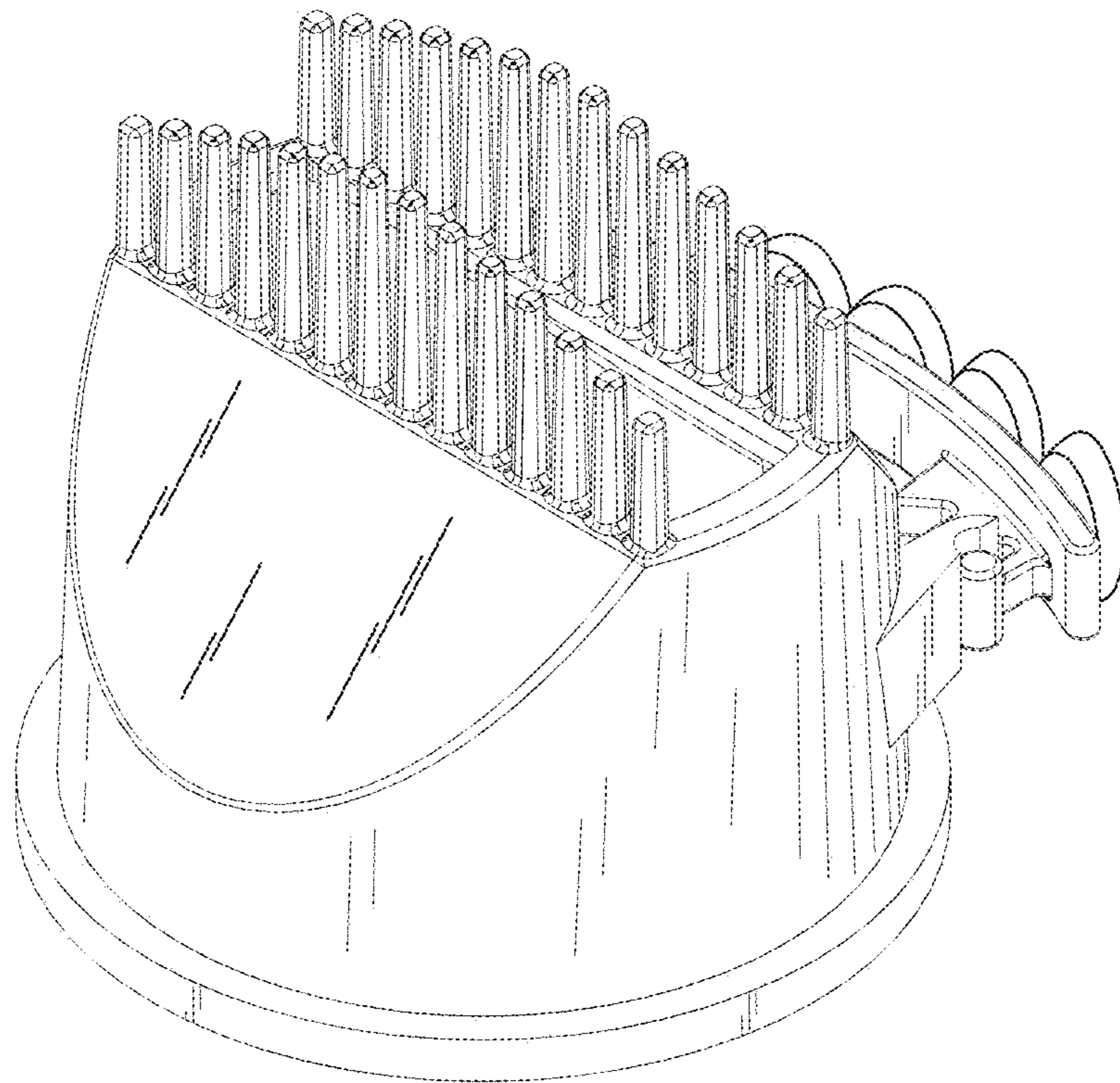


FIG. 24

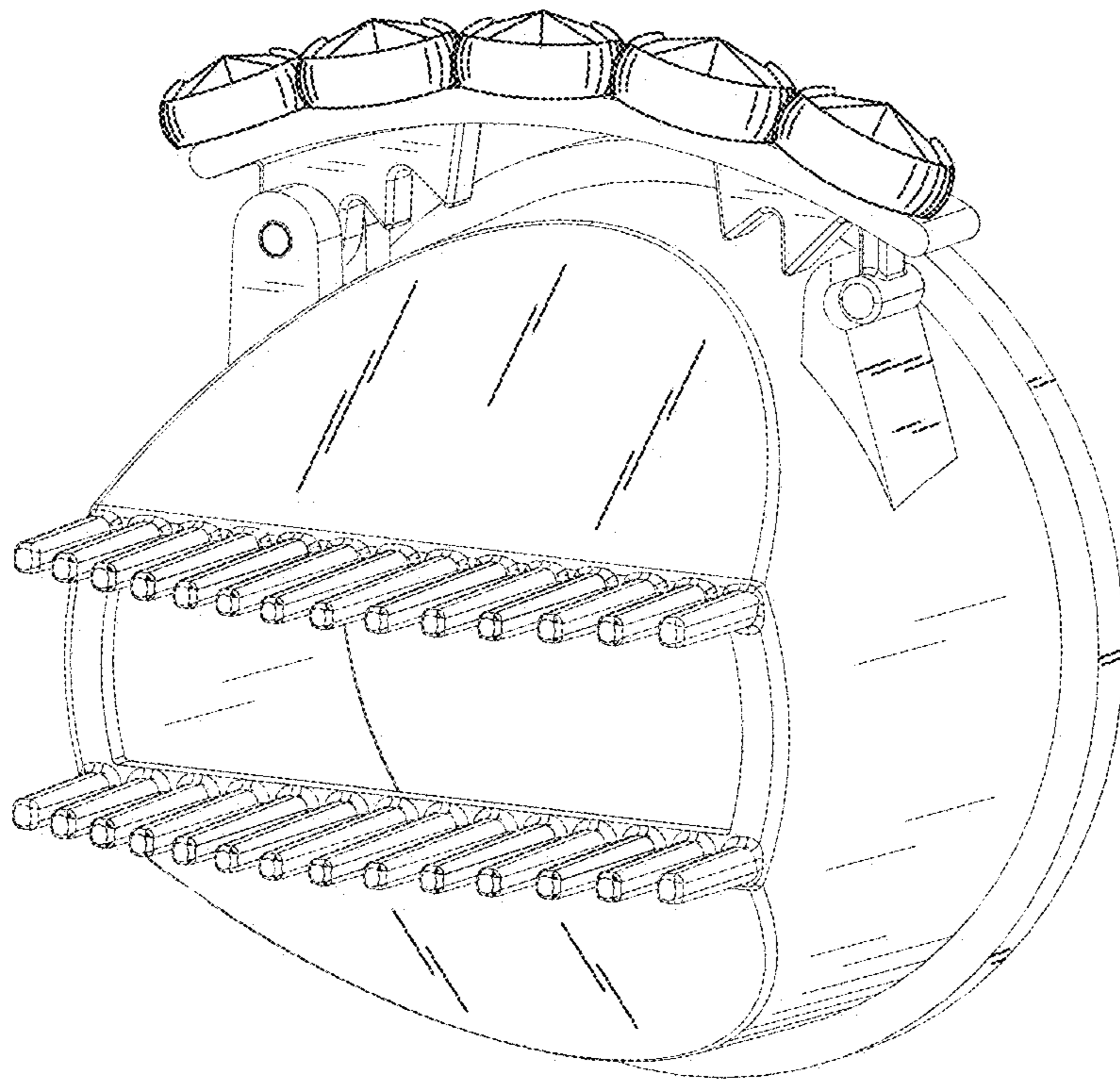


FIG. 25

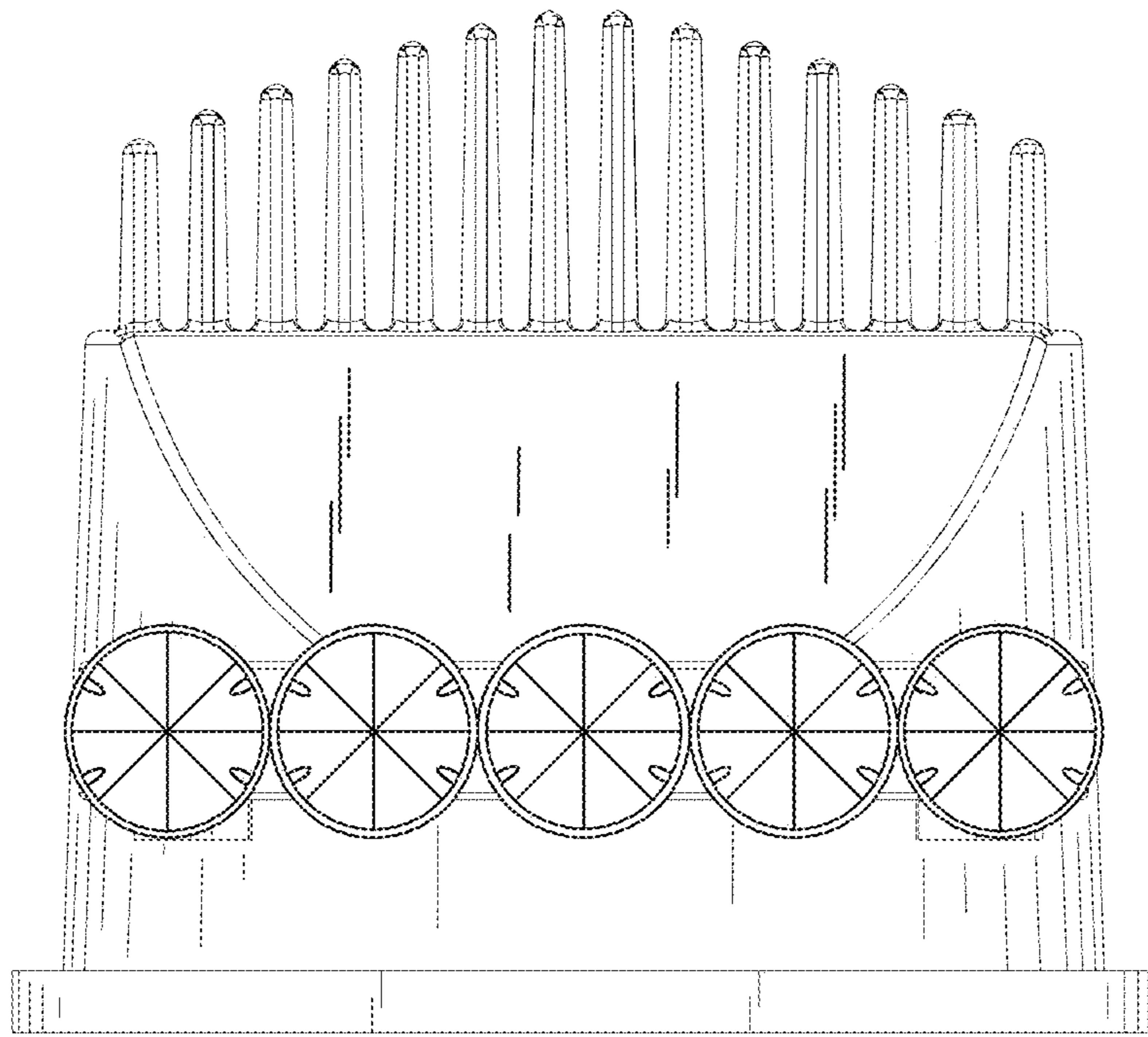


FIG. 26

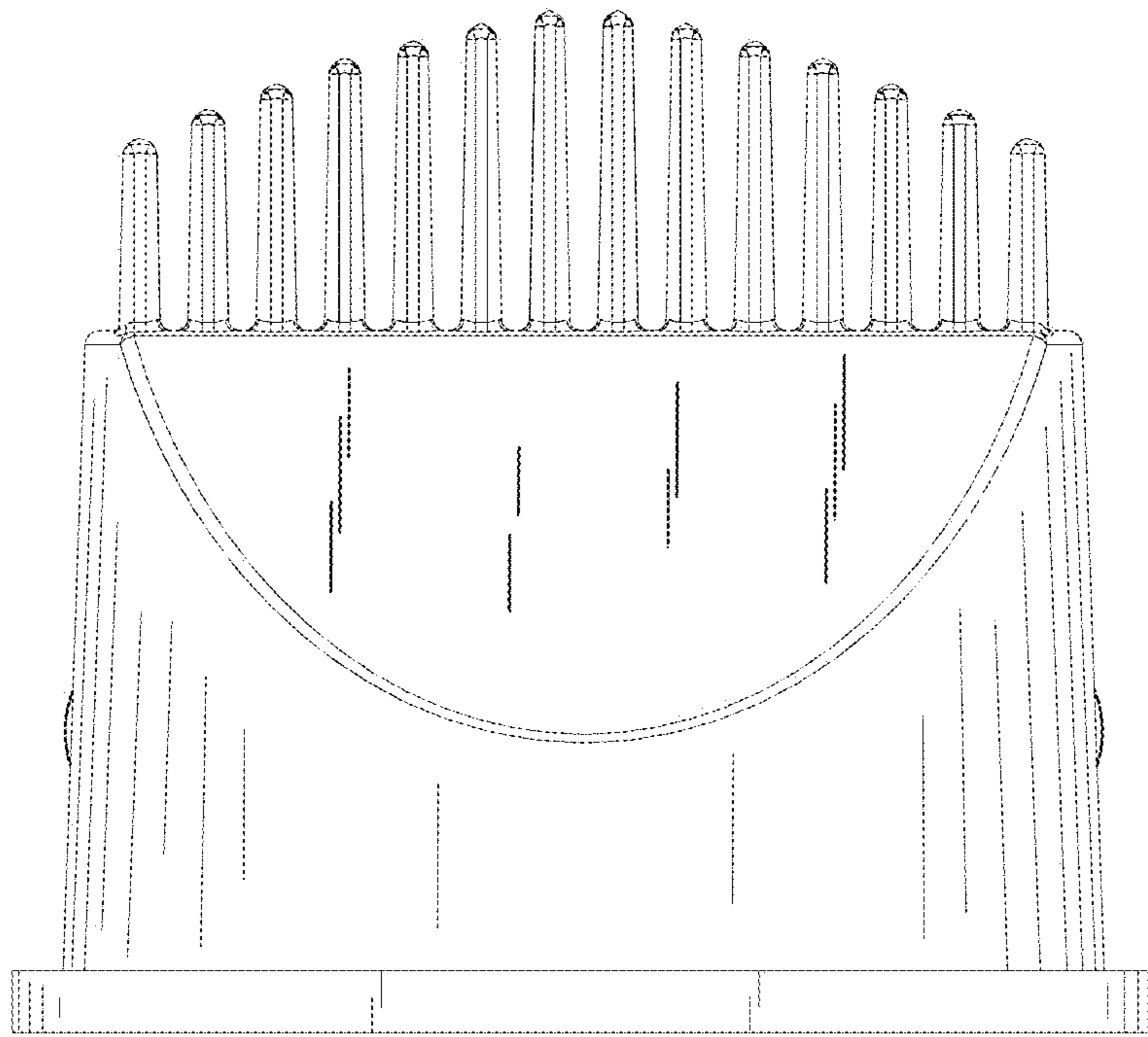


FIG. 27

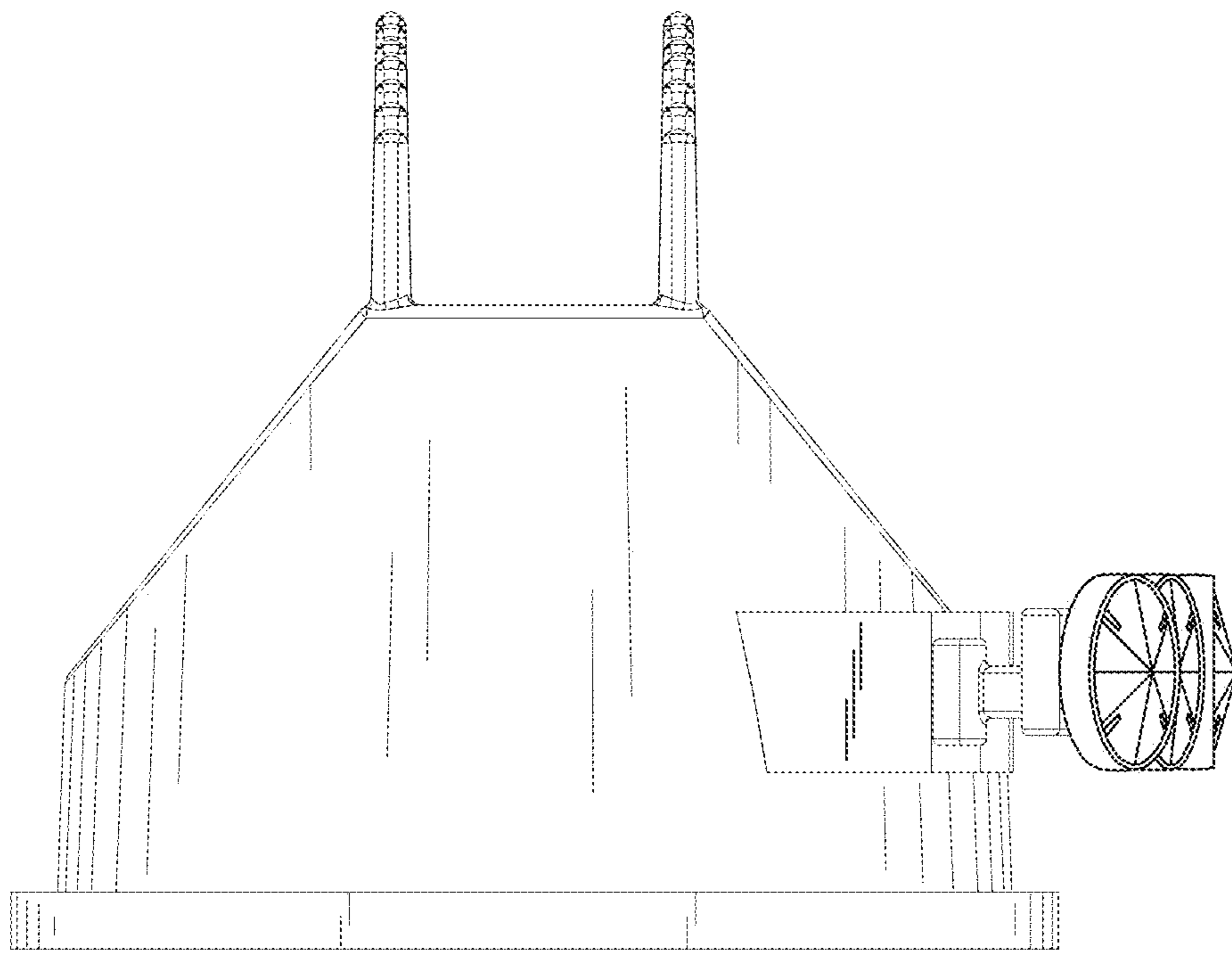


FIG. 28

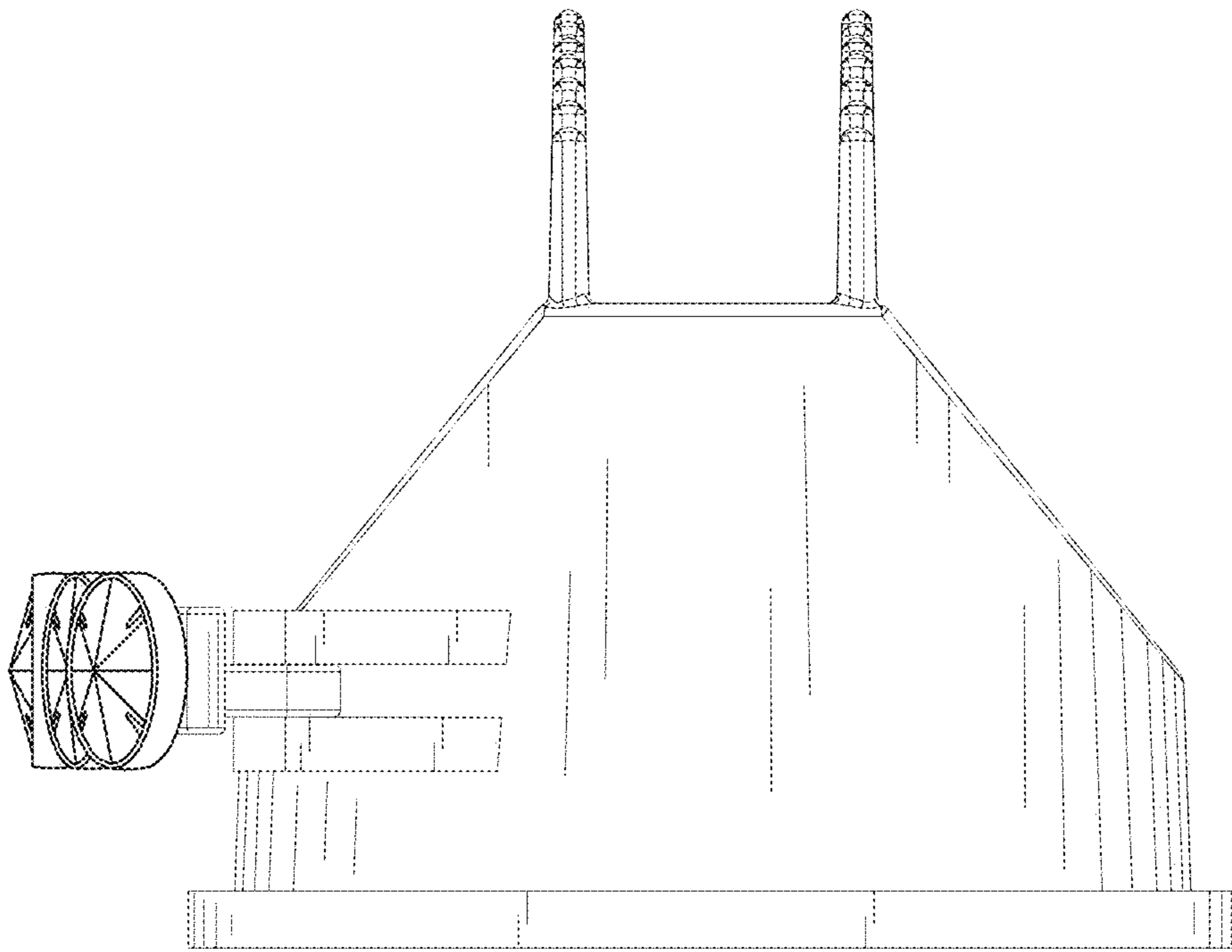


FIG. 29

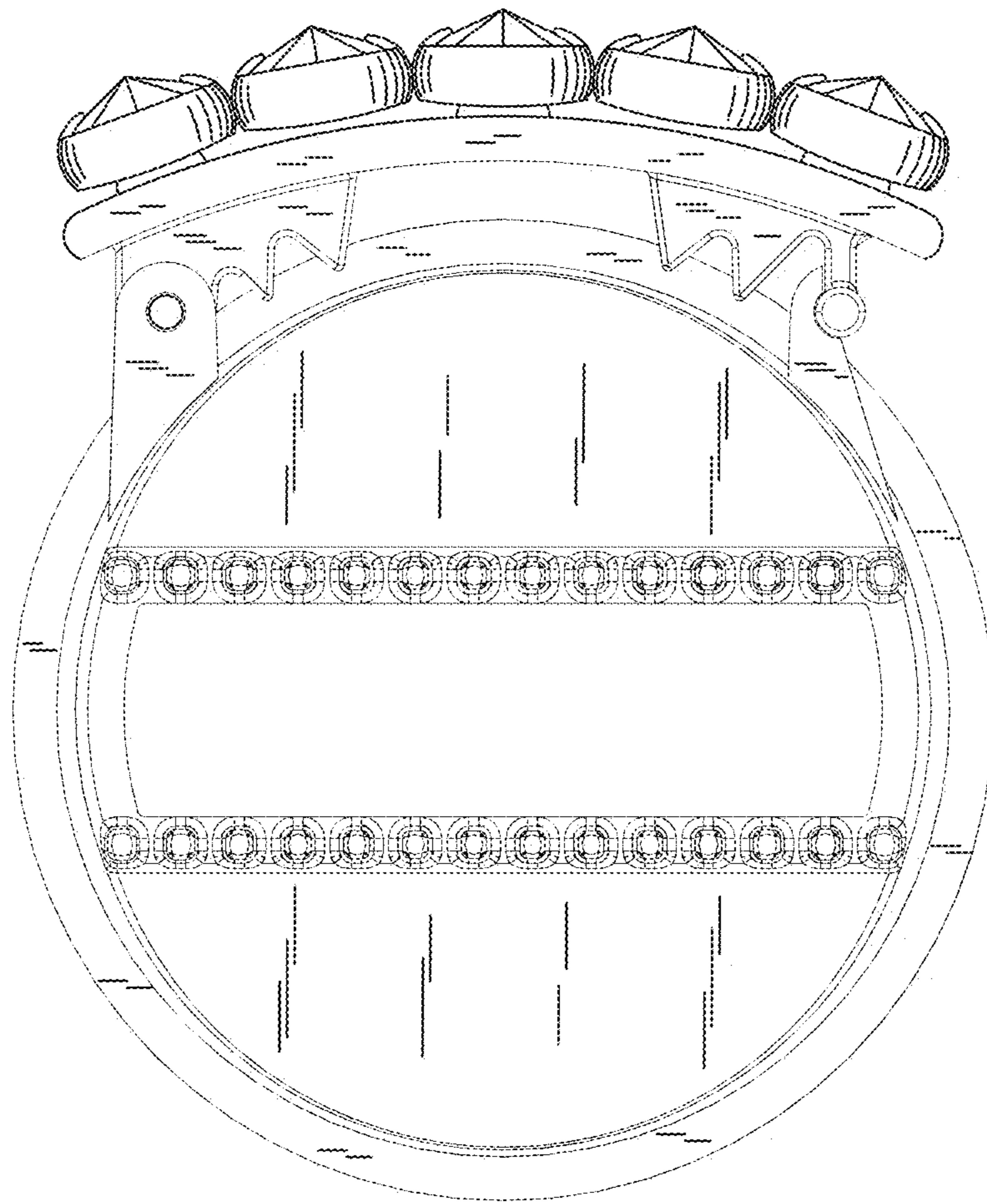


FIG. 30

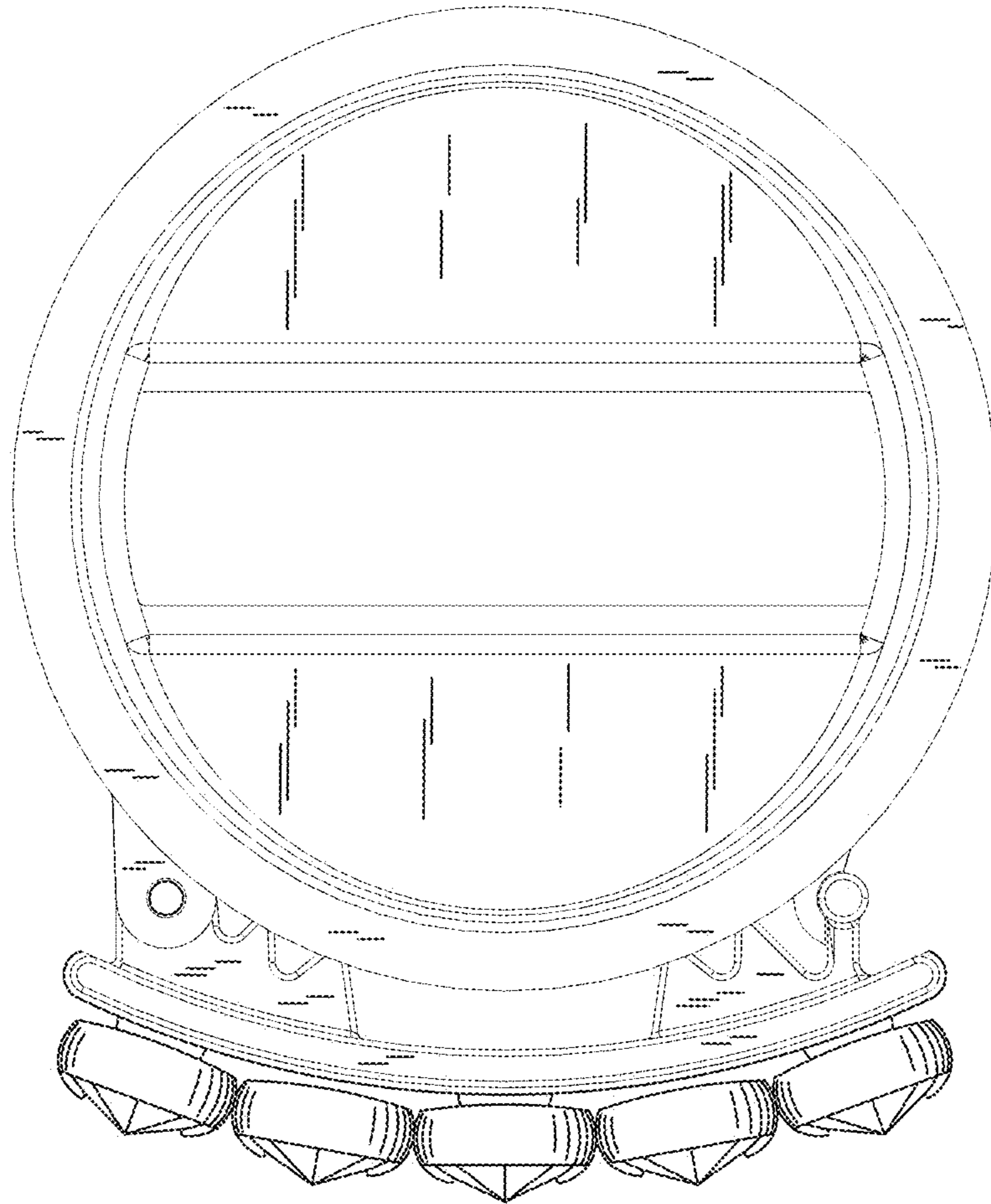


FIG. 31