



US00D896440S

(12) **United States Design Patent**
Lim et al.

(10) **Patent No.:** **US D896,440 S**
(45) **Date of Patent:** **** Sep. 15, 2020**

- (54) **ACCESSORY FOR HAIR DRYERS**
- (71) Applicant: **Dyson Technology Limited**, Wiltshire (GB)
- (72) Inventors: **Wei Phang Lim**, Singapore (SG);
Hannah Lisa Kirkbride, Aberdeen (GB);
Martin Edward Keane, Bristol (GB);
Simon Brian McNamee, Bristol (GB)
- (73) Assignee: **Dyson Technology Limited**, Malmesbury, Wiltshire (GB)

6,009,883 A * 1/2000 Morrow A45D 2/001
132/211
7,152,610 B2 * 12/2006 Csavas A45D 2/002
132/271
D579,151 S * 10/2008 Leung D28/13
8,122,896 B2 * 2/2012 Obermann A45D 2/001
132/271

* cited by examiner

Primary Examiner — Zenia I Bennett

(74) *Attorney, Agent, or Firm* — Morrison & Foerster LLP

(**) Term: **15 Years**

(21) Appl. No.: **29/694,503**

(22) Filed: **Jun. 11, 2019**

(30) **Foreign Application Priority Data**

Dec. 12, 2018 (EM) 005887122-0001

(51) **LOC (12) Cl.** **28-03**

(52) **U.S. Cl.**
USPC **D28/18**

(58) **Field of Classification Search**
USPC D28/12-19
CPC A45D 20/00; A45D 20/10; A45D 20/12;
A45D 20/18
See application file for complete search history.

(56) **References Cited**

U.S. PATENT DOCUMENTS

4,955,145 A * 9/1990 Scivoletto A45D 20/122
132/271
5,729,907 A * 3/1998 Santhouse A45D 2/001
34/98

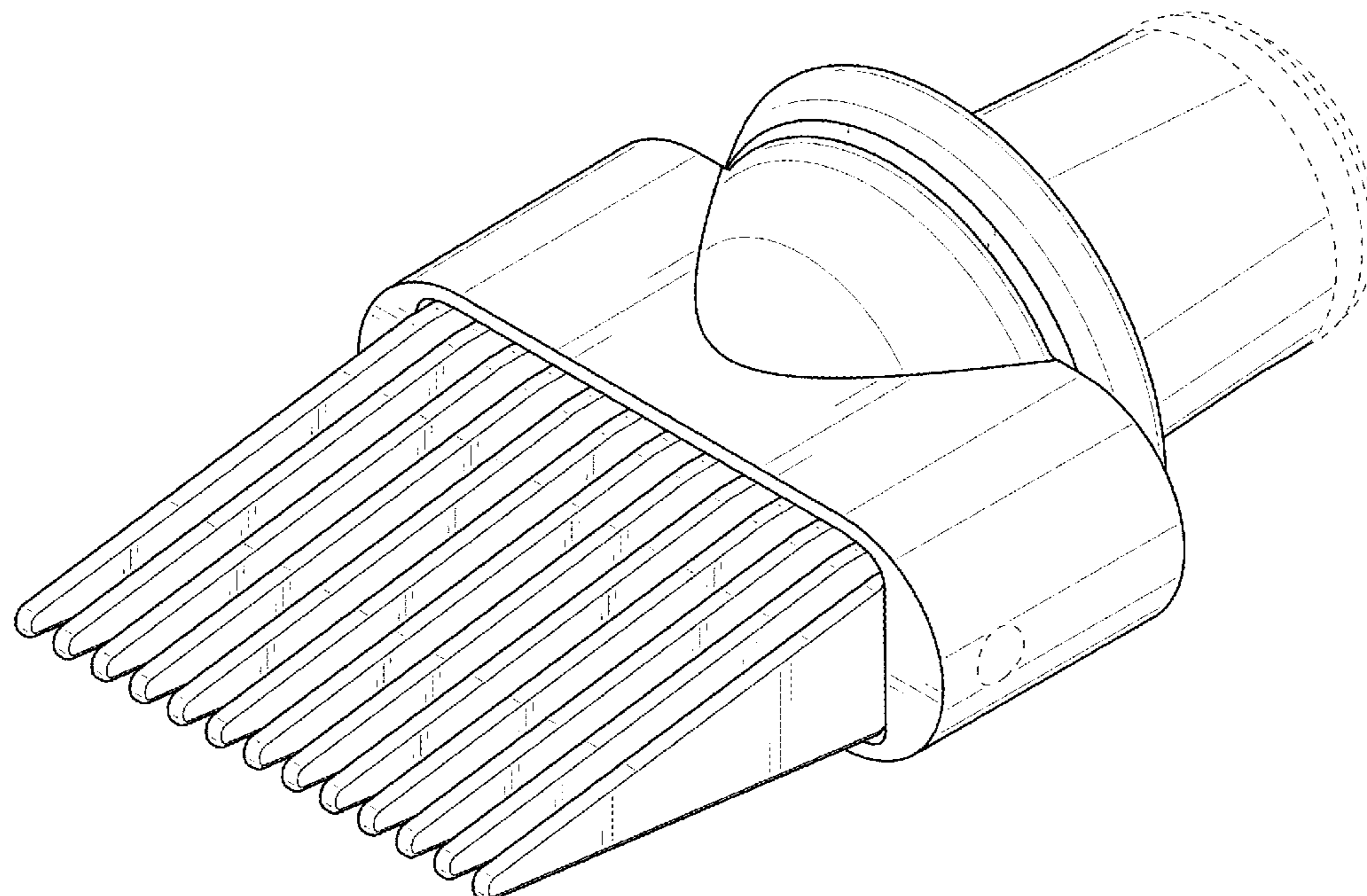
(57) **CLAIM**

We claim the ornamental design for an accessory for hair dryers, as shown and described.

DESCRIPTION

FIG. 1 is a front perspective view of an accessory for hair dryers showing our new design;
FIG. 2 is a top view thereof;
FIG. 3 is a bottom view thereof;
FIG. 4 is a side view thereof;
FIG. 5 is a side view of the opposite side of FIG. 4;
FIG. 6 is a front view thereof; and,
FIG. 7 is a rear view thereof.
The broken lines shown in the drawings illustrate portions of an accessory for hair dryers that form no part of the claimed design.

1 Claim, 7 Drawing Sheets



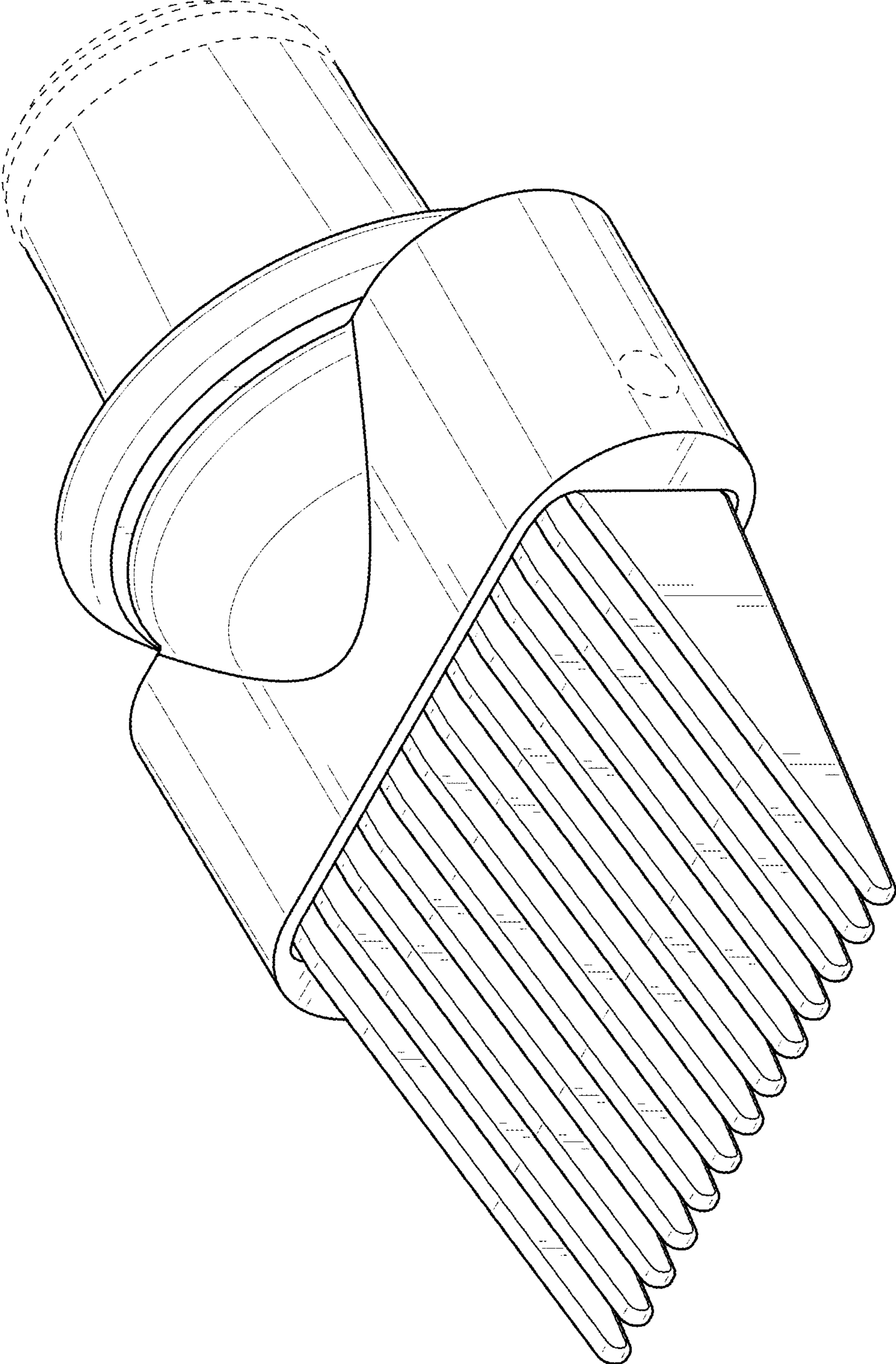


FIG. 1

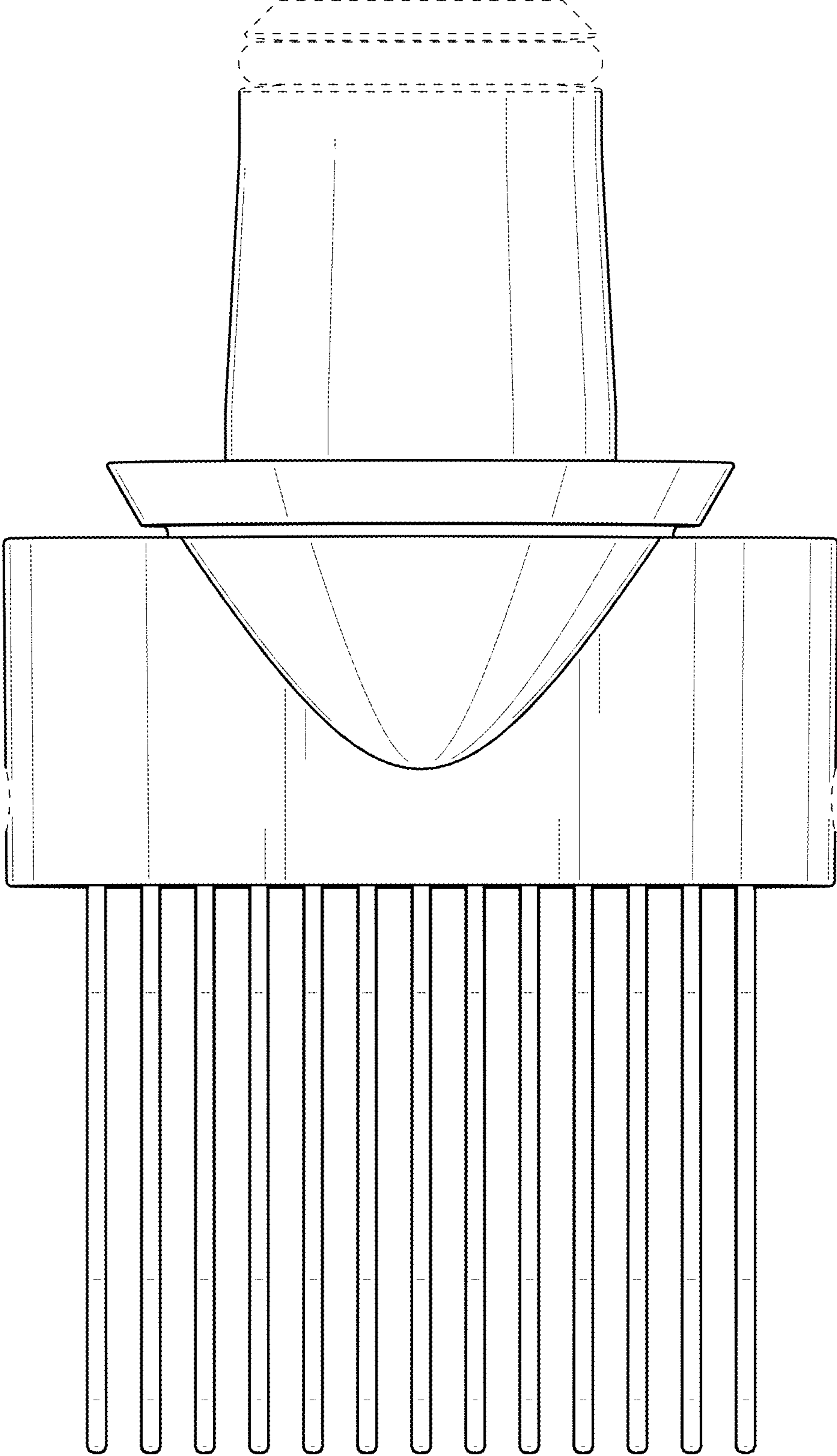


FIG. 2

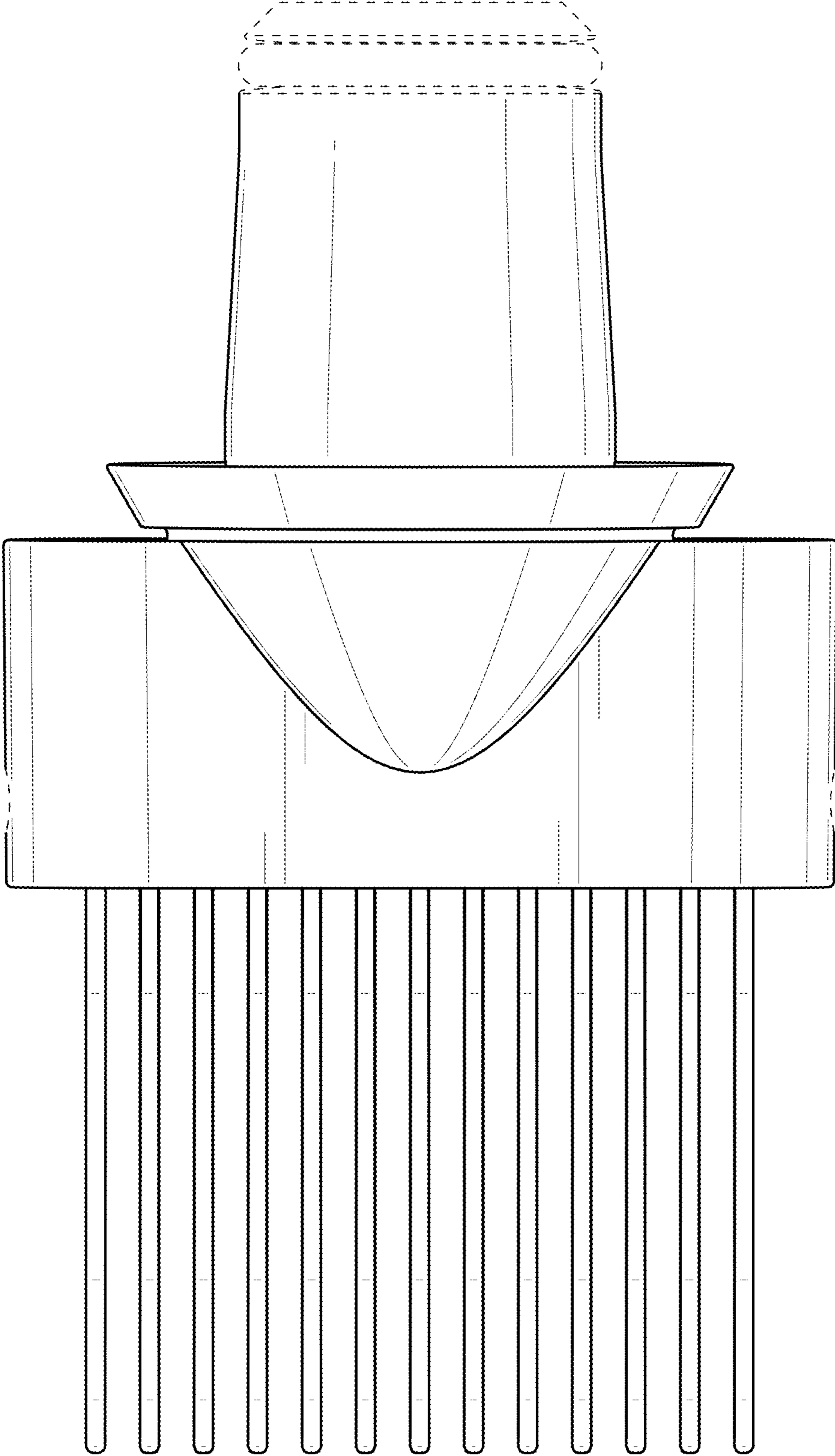


FIG. 3

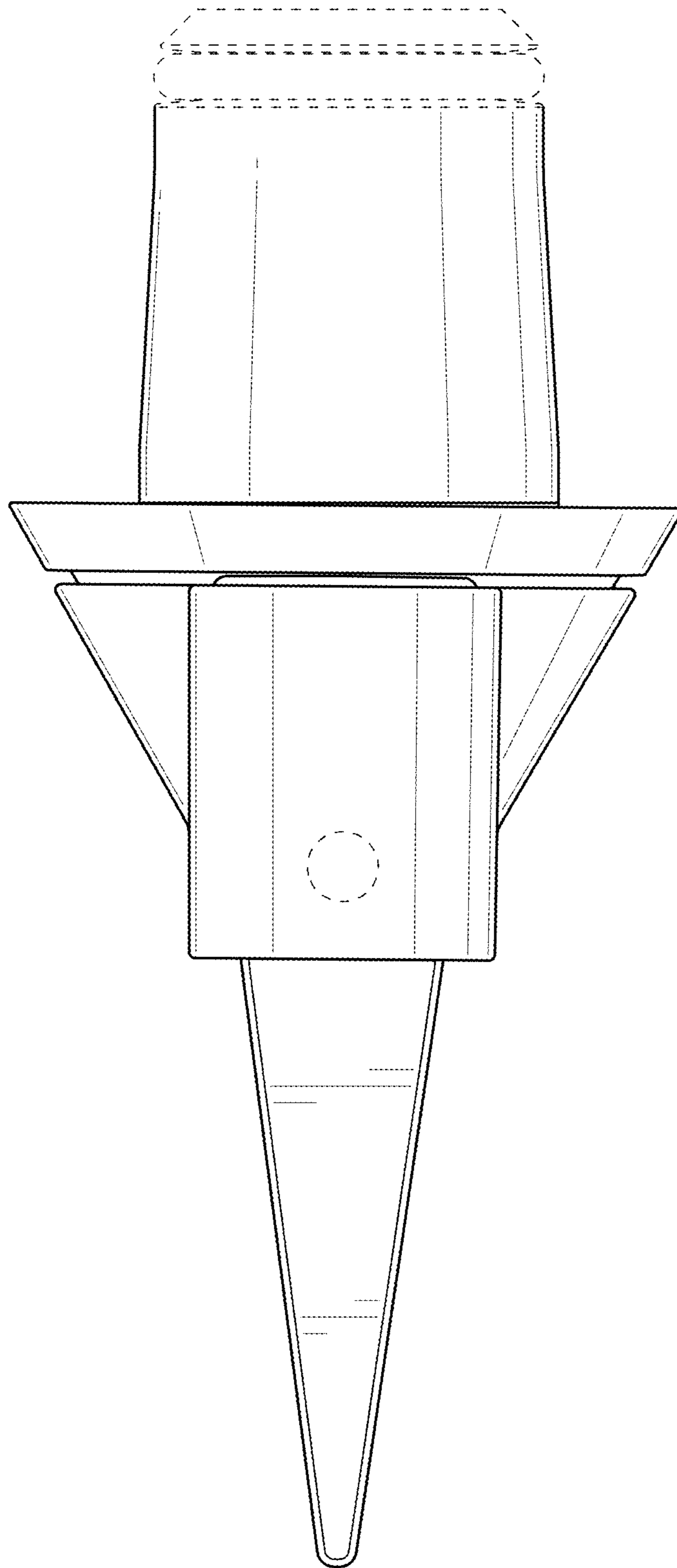


FIG. 4

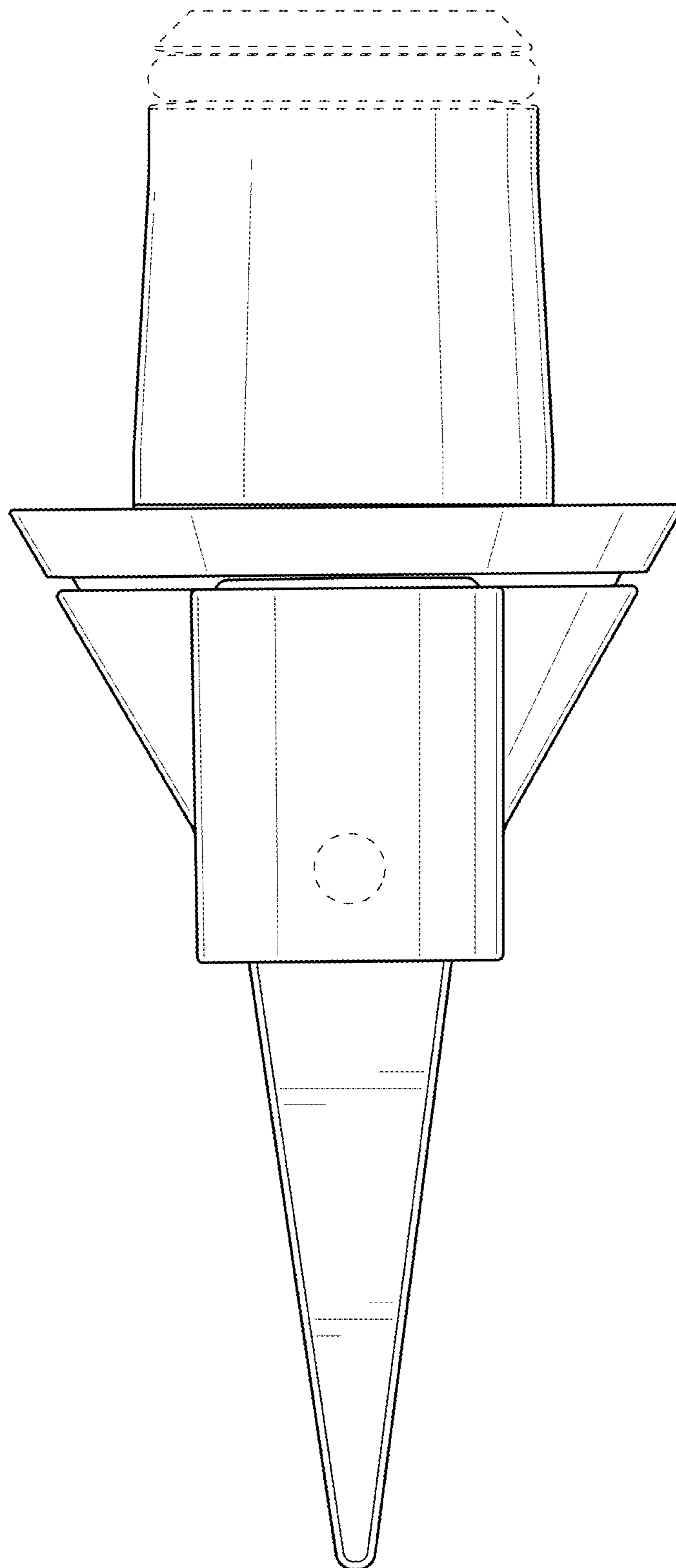


FIG. 5

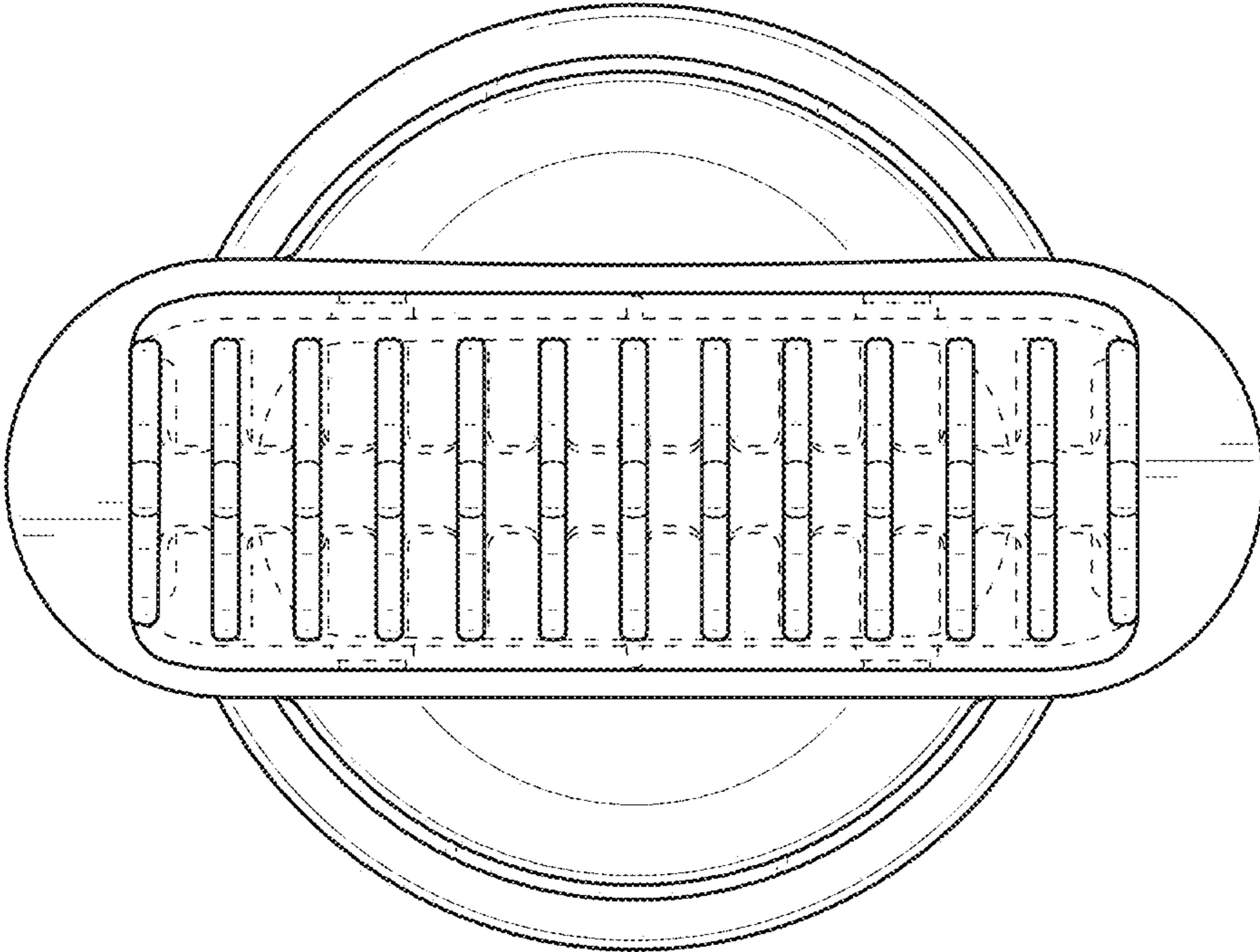


FIG. 6

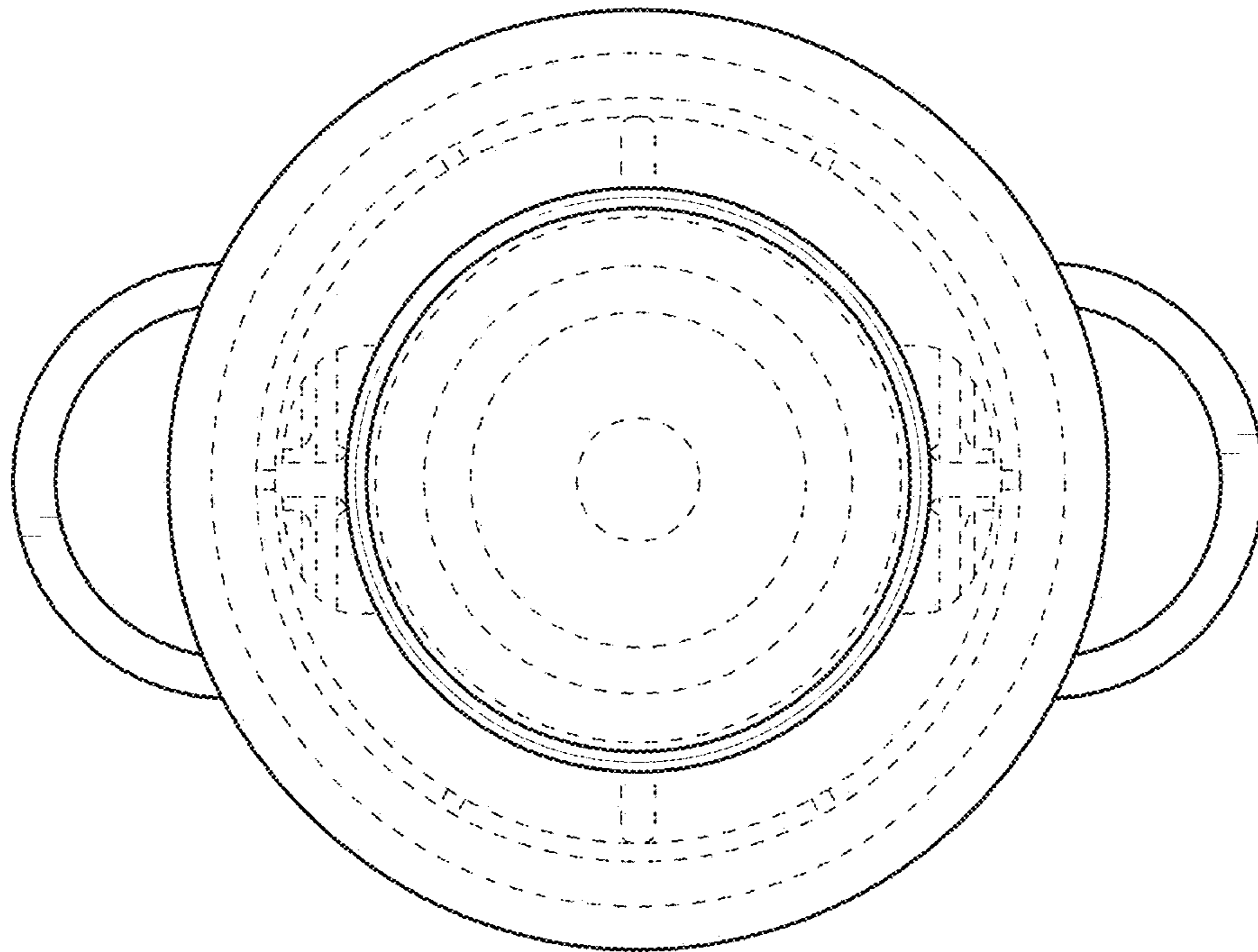


FIG. 7