



US00D896437S

(12) **United States Design Patent** (10) **Patent No.:** **US D896,437 S**
Volodarsky et al. (45) **Date of Patent:** **** Sep. 15, 2020**

(54) **PORTABLE CARTRIDGE VAPORIZER**

(71) Applicant: **Puff Corporation**, Los Angeles, CA (US)

(72) Inventors: **Roger Volodarsky**, Los Angeles, CA (US); **Avinash Bajpai**, Los Angeles, CA (US); **Roger Sayre**, Los Angeles, CA (US); **Dane Wiedemann**, Los Angeles, CA (US)

(73) Assignee: **PUFF CORPORATION**, Los Angeles, CA (US)

(**) Term: **15 Years**

(21) Appl. No.: **29/727,529**

(22) Filed: **Mar. 11, 2020**

Related U.S. Application Data

(63) Continuation of application No. 16/665,259, filed on Oct. 28, 2019, which is a continuation of application No. PCT/US2019/049858, filed on Sep. 6, 2019.

(51) **LOC (12) Cl.** **27-07**

(52) **U.S. Cl.**
USPC **D27/162**

(58) **Field of Classification Search**
USPC D27/100, 101, 162-196; D8/499
CPC A24F 47/008; A24F 47/002; A24F 15/14;
A24F 40/20; A24F 47/00
See application file for complete search history.

(56) **References Cited**

U.S. PATENT DOCUMENTS

- 5,353,813 A 10/1994 Deevi
- D492,061 S * 6/2004 Reynolds D27/143
- D509,623 S * 9/2005 Mitten D27/189
- D760,429 S 6/2016 Emarlou
- 9,648,909 B2 5/2017 Zhou et al.
- D807,999 S * 1/2018 Schuller D23/366

- 10,080,387 B2 9/2018 Phillips et al.
 - 10,092,041 B1 10/2018 Rinehart et al.
 - D833,064 S 11/2018 Verleur et al.
 - D834,746 S * 11/2018 Liu D27/162
 - 10,117,461 B2 11/2018 Chen
 - 10,130,122 B2 11/2018 Anderson
 - 10,136,679 B1 11/2018 Shotey et al.
 - 10,159,282 B2 12/2018 Monsees et al.
 - 10,159,285 B2 * 12/2018 Watson A24F 7/02
- (Continued)

OTHER PUBLICATIONS

Patent Cooperation Treaty, International Search Report for PCT/US2019/049858, 3 pages, dated Nov. 4, 2019.
(Continued)

Primary Examiner — Marissa J Cash
(74) *Attorney, Agent, or Firm* — Bryan Cave Leighton Paisner LLP

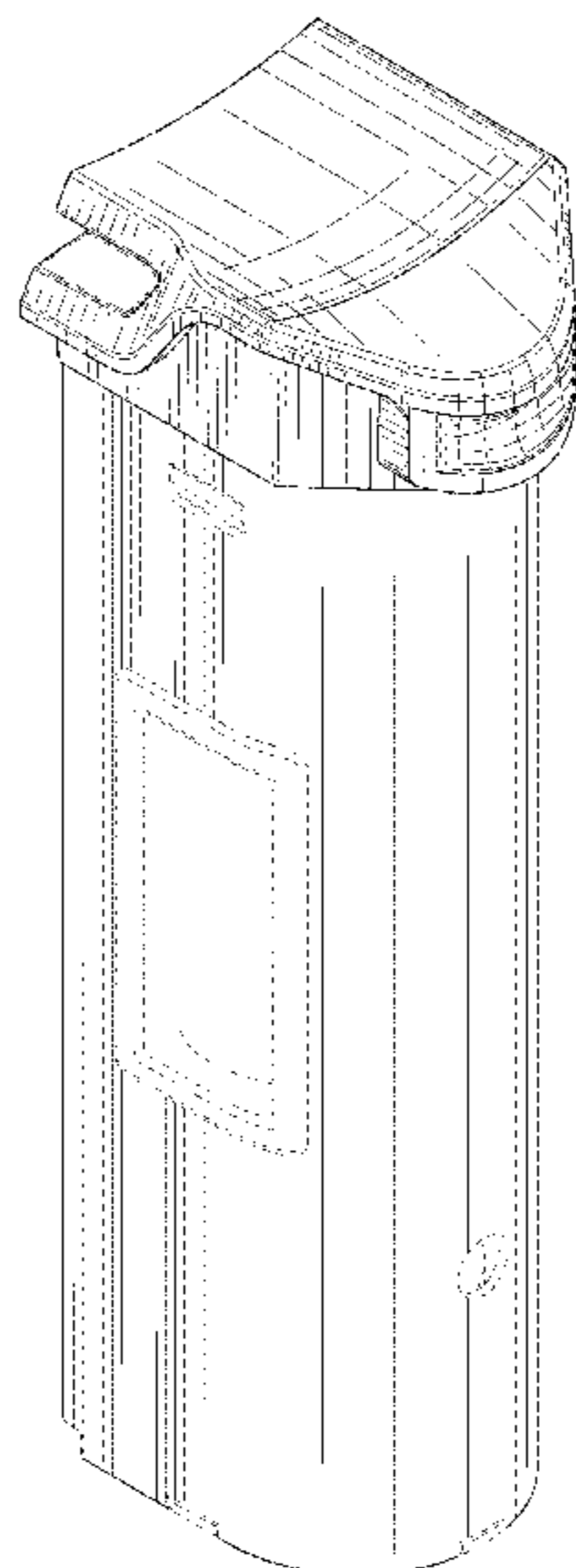
(57) **CLAIM**

The ornamental design for a portable cartridge vaporizer, as shown and described.

DESCRIPTION

FIG. 1 a front perspective view of our portable cartridge vaporizer;
FIG. 2 is another front perspective view thereof;
FIG. 3 is a front elevational view thereof;
FIG. 4 is a rear elevational view thereof;
FIG. 5 is an elevational view of a right side thereof;
FIG. 6 is an elevational view of a left side thereof;
FIG. 7 is a top view thereof; and,
FIG. 8 is a bottom perspective view thereof.
The broken lines immediately adjacent shaded surfaces depict boundaries and form no part of the claim; all other broken lines are for purposes of illustrating portions of the portable cartridge vaporizer that form no part of the claimed design.

1 Claim, 7 Drawing Sheets



(56)

References Cited

U.S. PATENT DOCUMENTS

D843,052 S * 3/2019 Powell D27/163
 D843,650 S 3/2019 Verleur et al.
 D860,516 S * 9/2019 Qiu D27/101
 D861,147 S 9/2019 He et al.
 D877,976 S * 3/2020 Ding D27/162
 D878,672 S * 3/2020 Beer D27/162
 D879,369 S * 3/2020 Beer D27/162
 D881,457 S * 4/2020 Ouyang D27/162
 10,609,958 B2 * 4/2020 Robinson B32B 7/12
 10,609,962 B2 * 4/2020 Zhu H05B 3/44
 10,617,834 B2 * 4/2020 Gould A24F 40/42
 D884,266 S * 5/2020 Wang D27/162
 2014/0109921 A1 4/2014 Chen
 2015/0136124 A1 5/2015 Aronie
 2016/0295915 A1 10/2016 Jochnowitz et al.
 2017/0233114 A1 8/2017 Christensen et al.
 2017/0238617 A1 8/2017 Scatterday
 2017/0340011 A1 11/2017 Batista

2018/0029782 A1 2/2018 Zuber
 2018/0110263 A1 4/2018 Borkovec et al.
 2018/0132534 A1 5/2018 Reevell
 2018/0132535 A1 5/2018 Reevell
 2018/0160737 A1 6/2018 Verleur et al.
 2018/0177240 A1 6/2018 Duque et al.
 2018/0272083 A1 9/2018 Avots
 2018/0289909 A1 10/2018 Lindars et al.
 2019/0008206 A1 1/2019 Gimkiewicz
 2019/0098933 A1 4/2019 Courbat et al.
 2019/0166913 A1 6/2019 Trzeczieski
 2019/0223504 A1 7/2019 Chen
 2019/0373953 A1 12/2019 Atkins
 2020/0054077 A1 2/2020 Chen

OTHER PUBLICATIONS

Vaporizer Chief, LLC, Pulsar APX Vape, retrieved from www.vaporizerchief.com/pulsar-apx-vape-v2/ 2020.

* cited by examiner

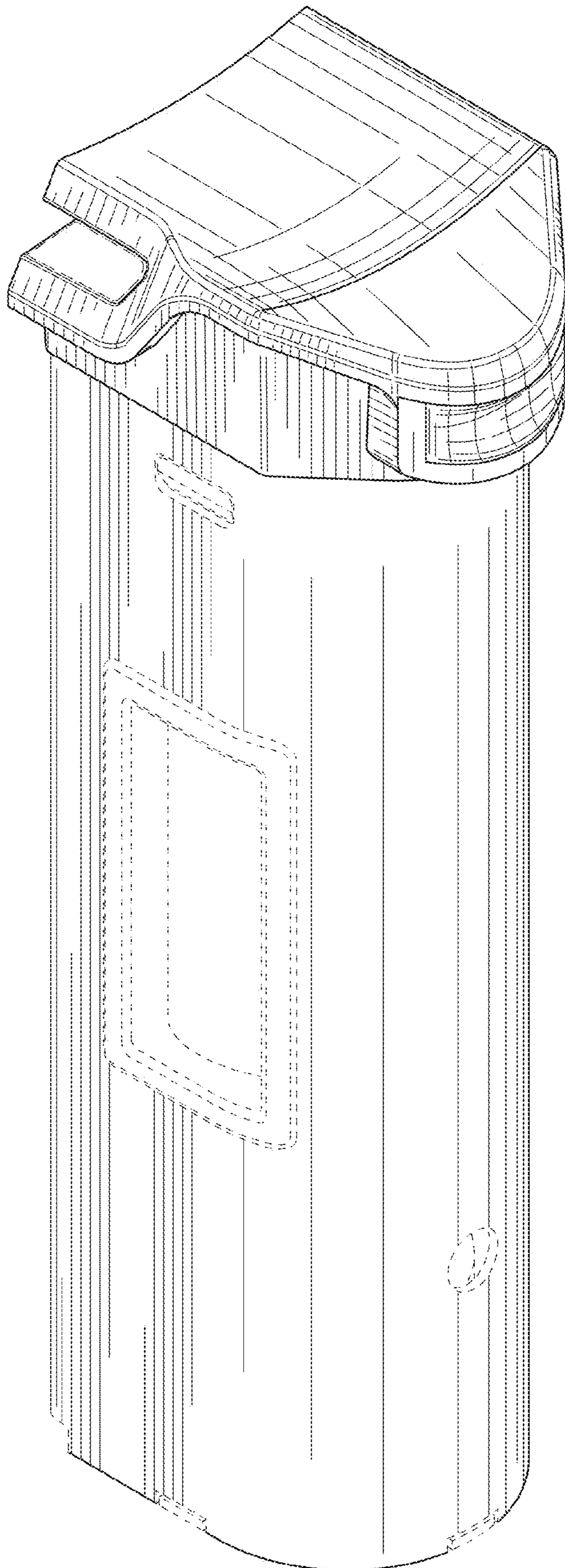


FIG. 1

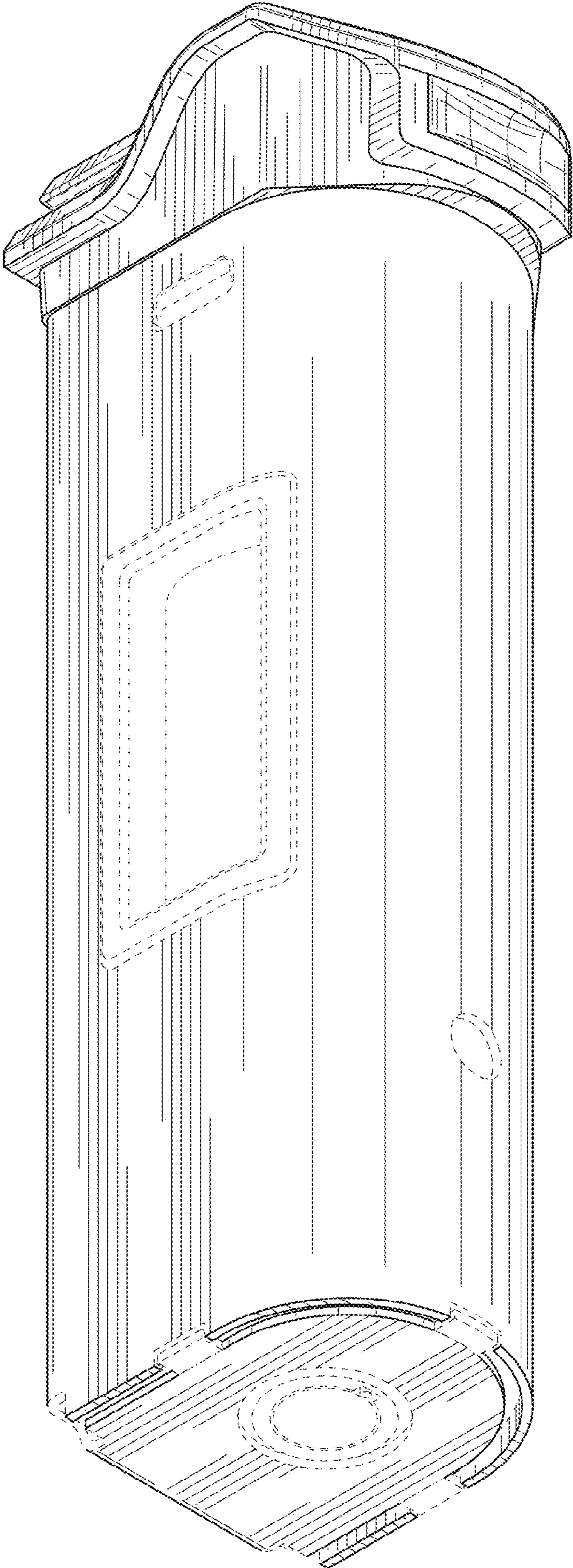


FIG. 2

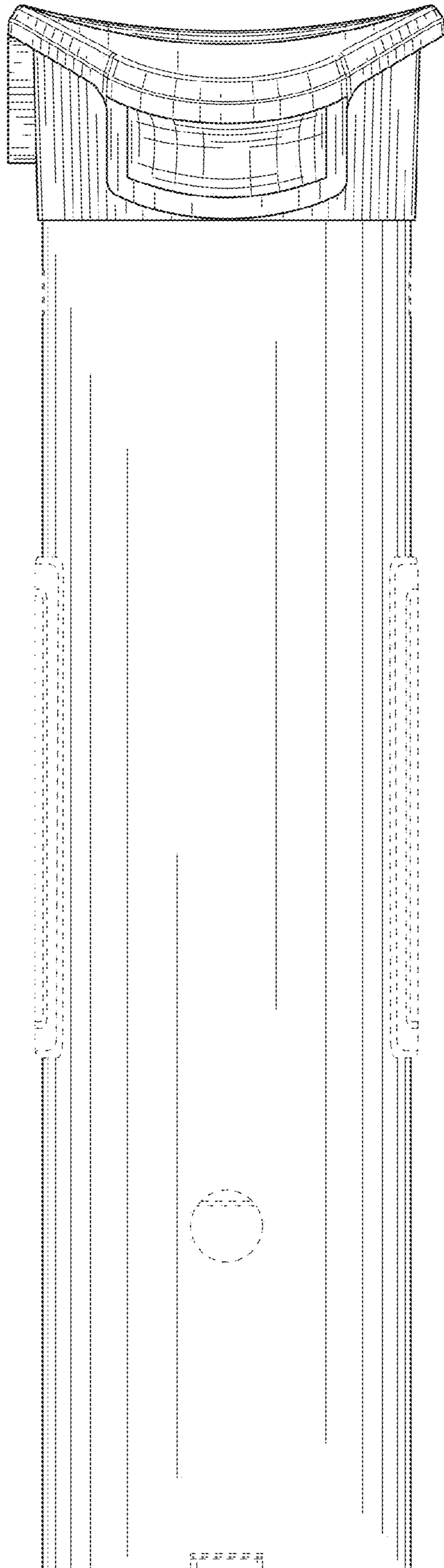


FIG. 3

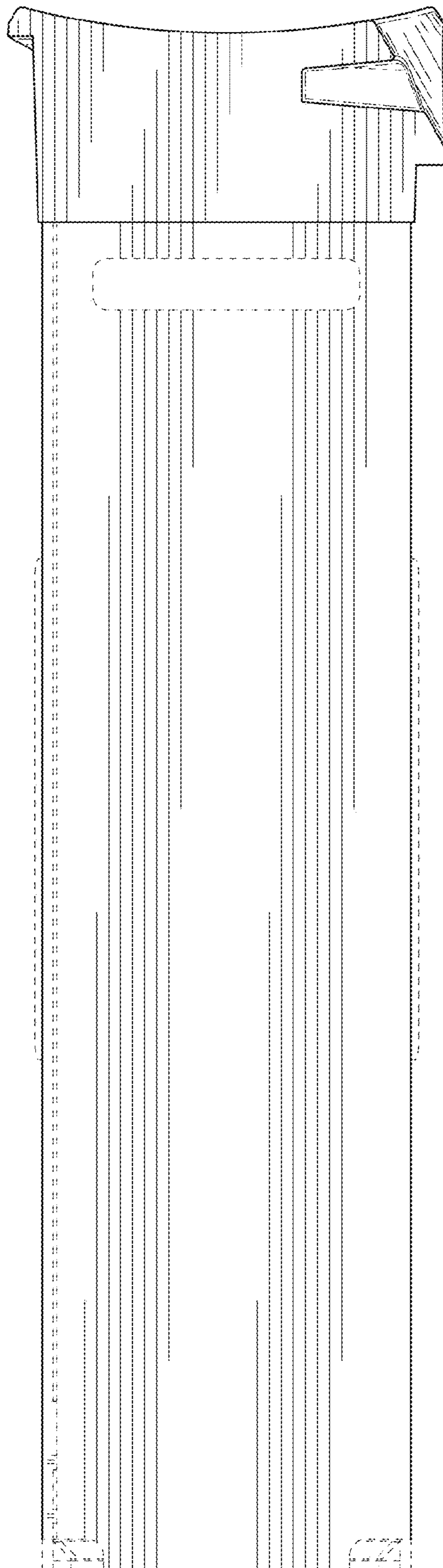


FIG. 4

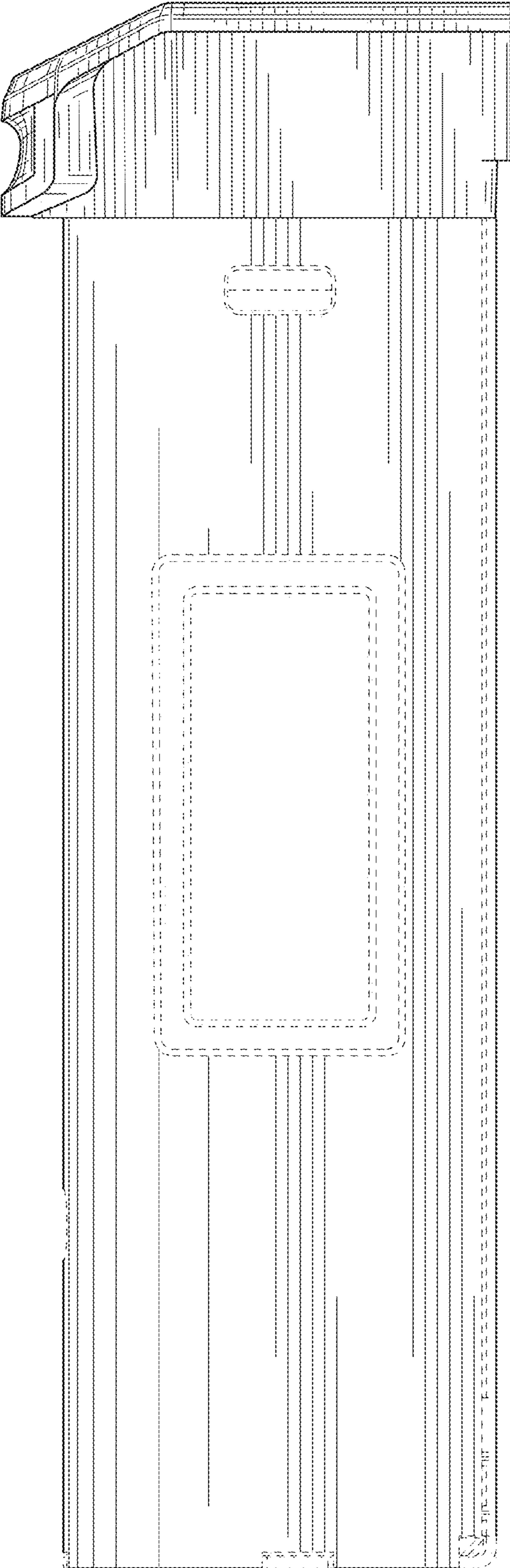


FIG. 5

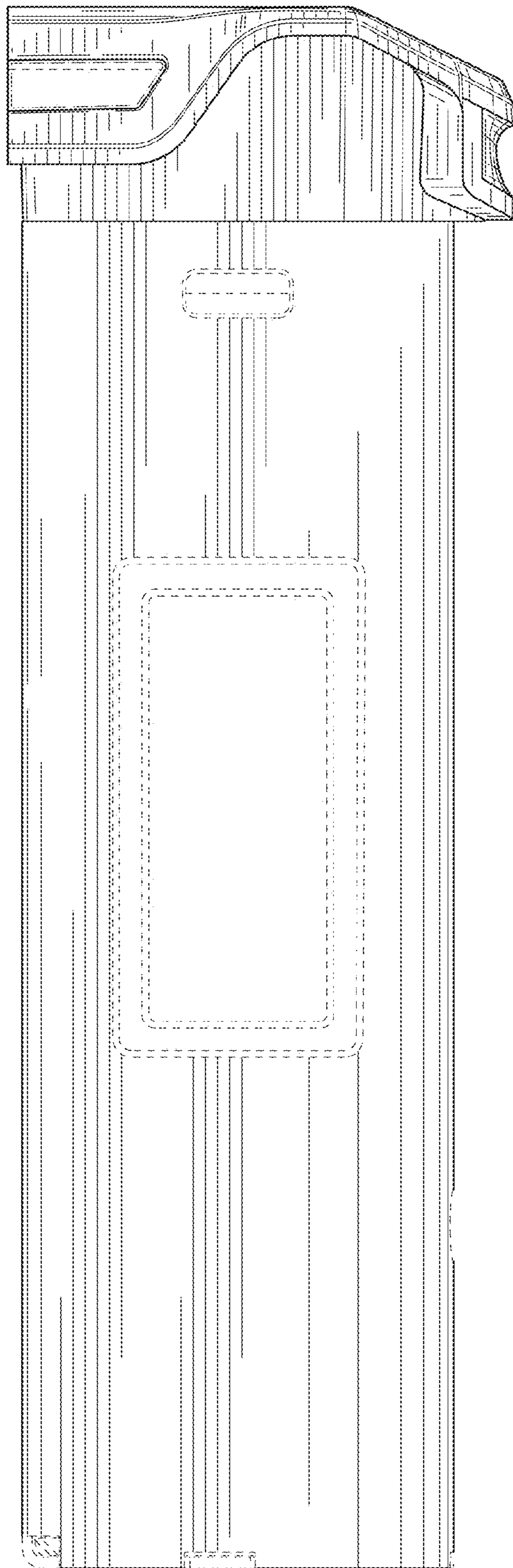


FIG. 6

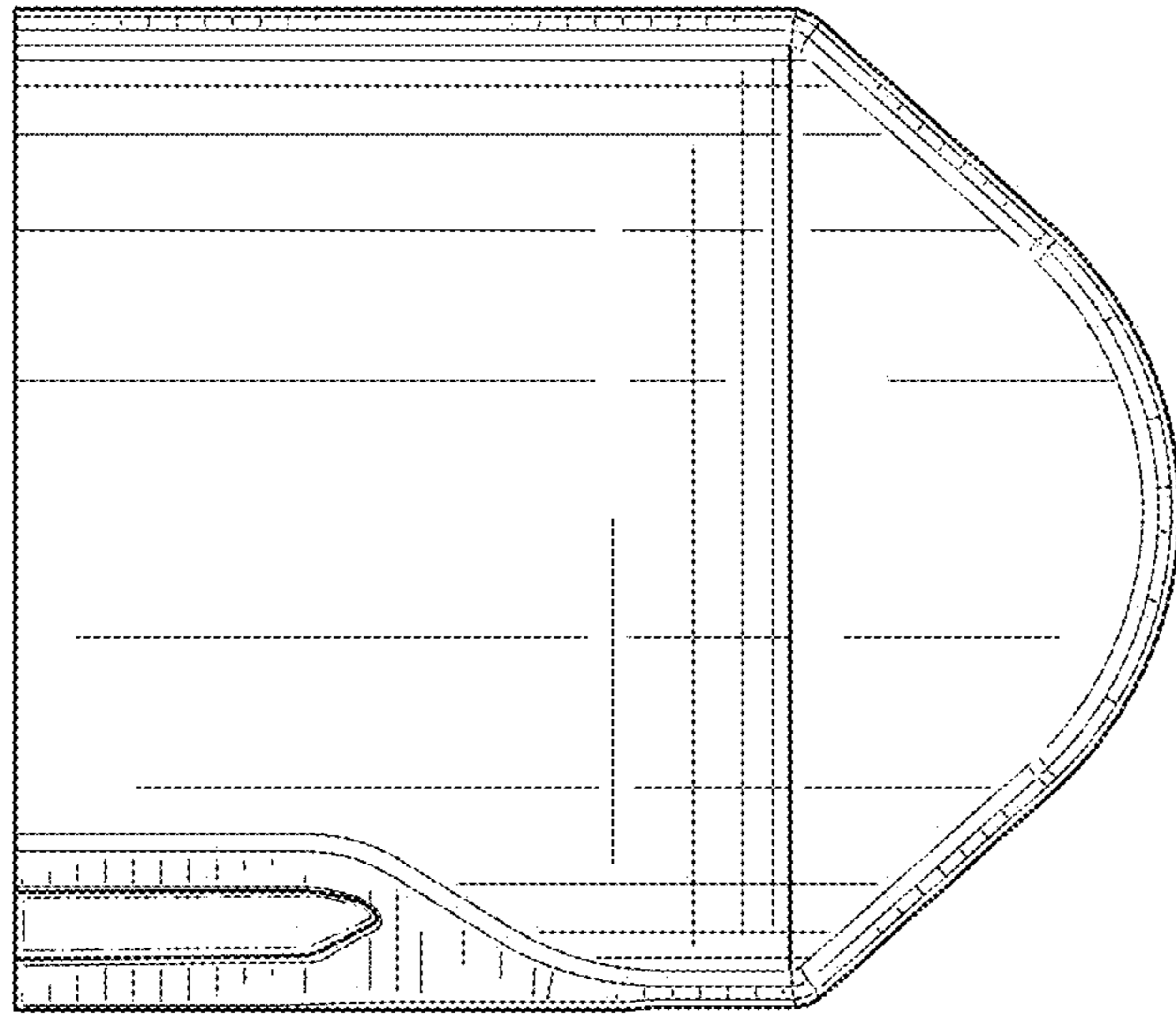


FIG. 7

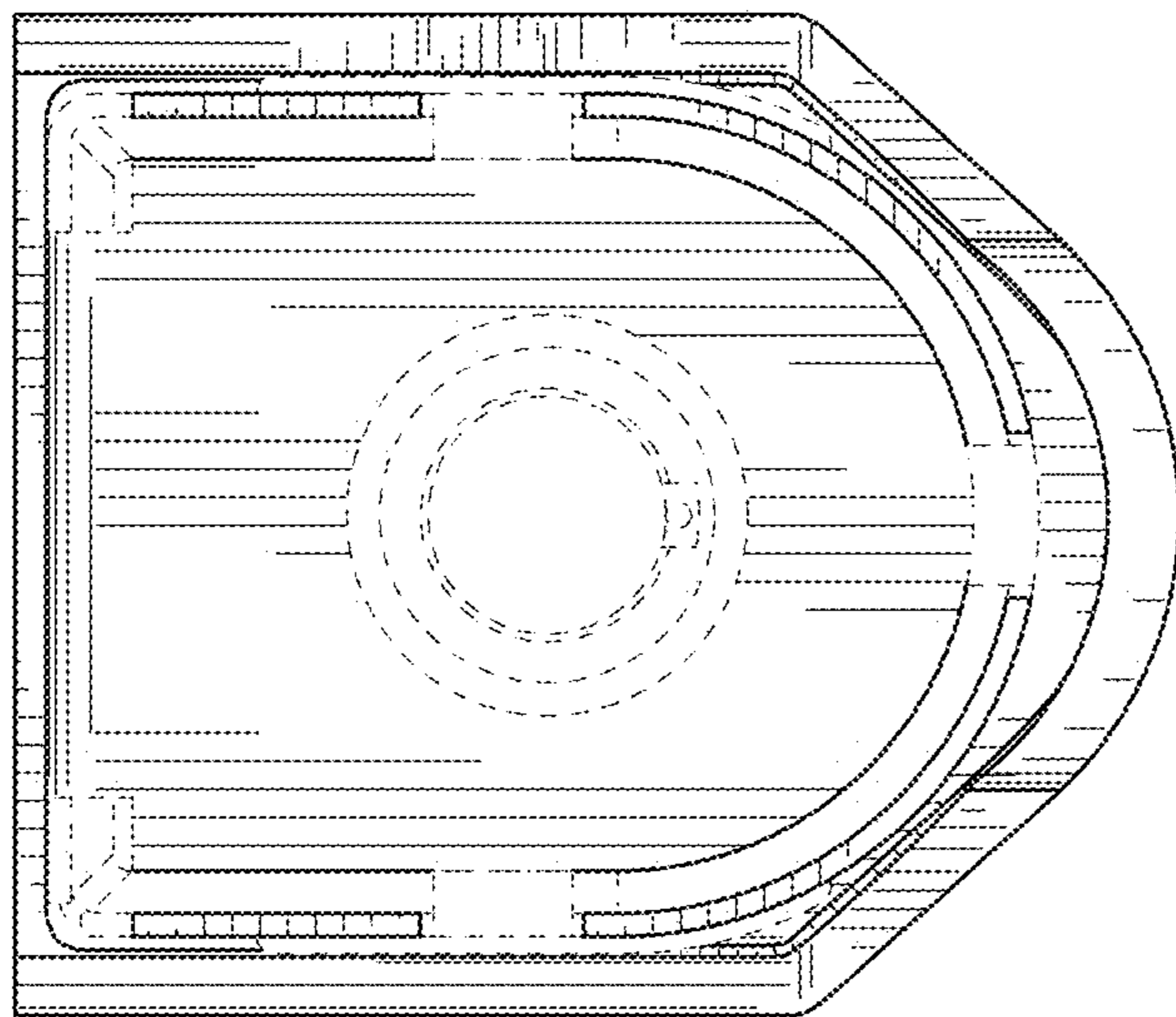


FIG. 8