

US00D896435S

(12) **United States Design Patent**
Pomputius

(10) **Patent No.:** **US D896,435 S**

(45) **Date of Patent:** **** Sep. 15, 2020**

(54) **LAMP SHADE**

(71) Applicant: **John Pomp Studios, Inc.**, Philadelphia, PA (US)

(72) Inventor: **John Pomputius**, Philadelphia, PA (US)

(73) Assignee: **JOHN POMP STUDIOS, INC.**, Philadelphia, PA (US)

(**) Term: **15 Years**

(21) Appl. No.: **29/701,934**

(22) Filed: **Aug. 15, 2019**

Related U.S. Application Data

(62) Division of application No. 29/610,769, filed on Jul. 14, 2017, now Pat. No. Des. 862,767.

(51) **LOC (12) Cl.** **26-99**

(52) **U.S. Cl.**
USPC **D26/128**

(58) **Field of Classification Search**
USPC D26/81, 82, 84, 85, 86, 88, 89, 90, 91,
D26/118, 127, 128, 129, 131-133, 135,
D26/136, 137
CPC F21S 8/04; F21S 8/046; F21S 8/06; F21S
8/061; F21S 8/063; F21S 8/065; F21V
1/20

See application file for complete search history.

(56) **References Cited**

U.S. PATENT DOCUMENTS

D35,616 S * 1/1902 Mygatt D26/133
D35,757 S * 2/1902 Mygatt D26/133
D36,716 S * 12/1903 Avery D26/133
D37,834 S * 2/1906 Mygatt D26/131

909,040 A 1/1909 Thompson
D40,389 S * 12/1909 Gillinder D26/133
D229,576 S 12/1973 Blake
5,038,262 A 8/1991 Mechtler
5,997,151 A 12/1999 Douglass, II
6,880,957 B2 4/2005 Walters
6,906,254 B2 6/2005 Reed
7,210,811 B1 5/2007 Swanson
D791,389 S * 7/2017 Sonneman D26/90
D797,981 S * 9/2017 Sonneman D26/86
D820,503 S * 6/2018 Decq D26/88
D847,400 S * 4/2019 Arslan D26/88

OTHER PUBLICATIONS

Ccrystal Postighone Red & Clear Pendant Light from sweetheartgallery.com, visited Jun. 22, 2020. (Year: 2020).*
Andrea Claire Studio, Cassiopeia 5-ABDEF: a mobile chandelier in Bamboo and Brass; <http://www.andreaclairestudio.com/shop/cassiopeia-5abce8>; downloaded Mar. 20, 2017.

(Continued)

Primary Examiner — Clare E Heflin

(74) *Attorney, Agent, or Firm* — Gottlieb, Rackman & Reisman, PC

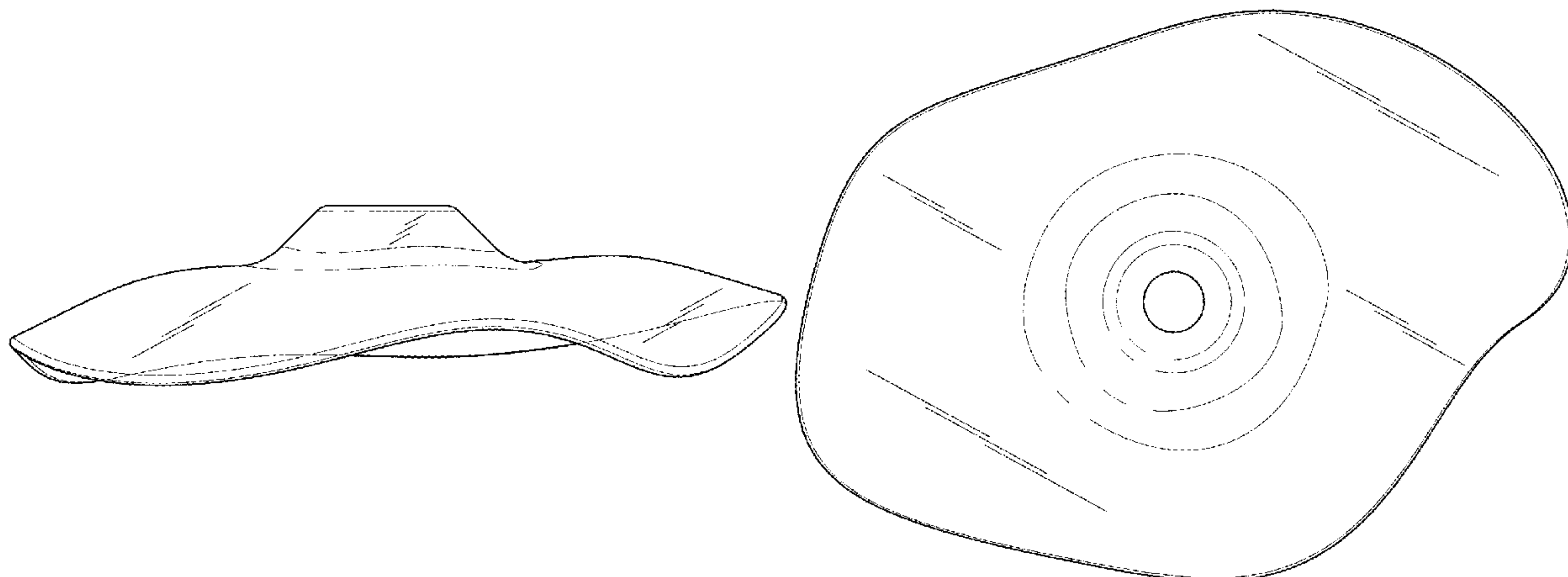
(57) **CLAIM**

The ornamental design for a lamp shade, as shown and described.

DESCRIPTION

FIG. 1 is a top perspective view thereof;
FIG. 2 is a front elevation view thereof;
FIG. 3 is a rear elevation view thereof;
FIG. 4 is a right-elevation view thereof;
FIG. 5 is a left-elevation view thereof;
FIG. 6 is a top plan view thereof; and,
FIG. 7 is a bottom plan view thereof.

1 Claim, 6 Drawing Sheets



(56)

References Cited

OTHER PUBLICATIONS

Fedele Papagni; Mobile Hanging Light: 1sdibs, Inc; https://www.1stdibs.com/furniture/lighting/chandelierspendant-lights/fedele-papagni-mobile-hanging-light/idf_4416653/; downloaded Mar. 20, 2017.

David Weeks Studio; Torroja Mobile No. 429; <http://www.davidweeksstudio.com/lighting/torrojamobile/>; downloaded Mar. 20, 2017.

David Weeks Studio; Hanging Mobile No. 405; <http://www.davidweeksstudio.com/lighting/hanging-mobile/>; downloaded Mar. 20, 2017.

Calder-style Danish Mobile Lamp; Pinterest; <https://www.pinterest.com/pin/394346511091814057/>; downloaded Mar. 20, 2017.

Creative Spectrum, Hanging Lamp with Custom Paper Shades; <https://www.facebook.com/CreativeSpectrumEtsyStore/>; downloaded Mar. 20, 2017.

* cited by examiner

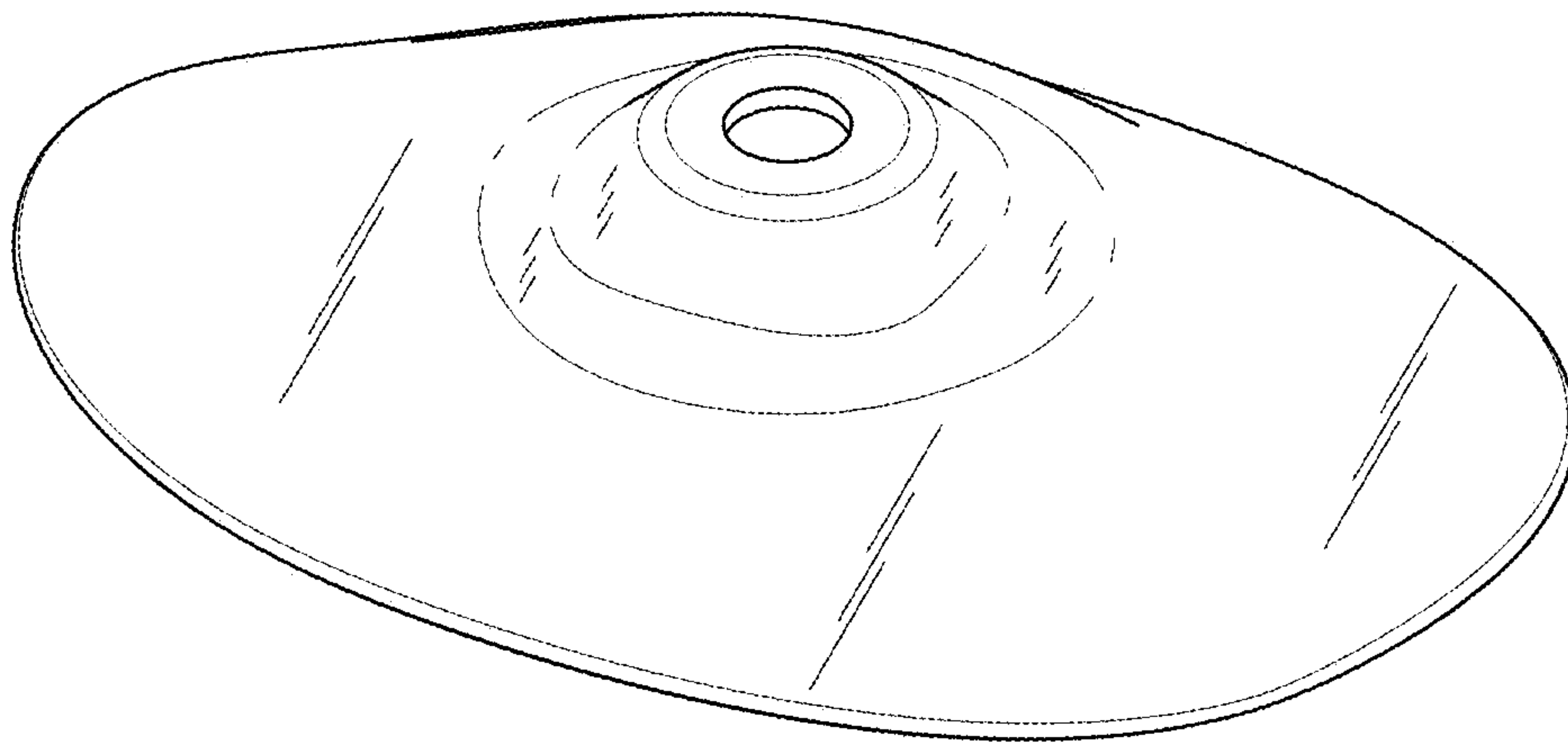


FIG. 1

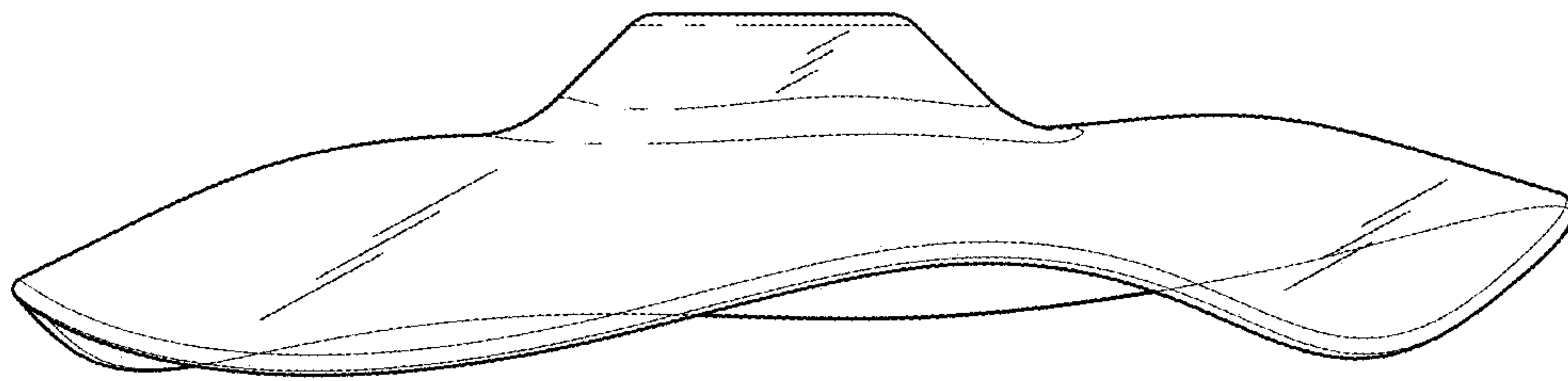


FIG. 2

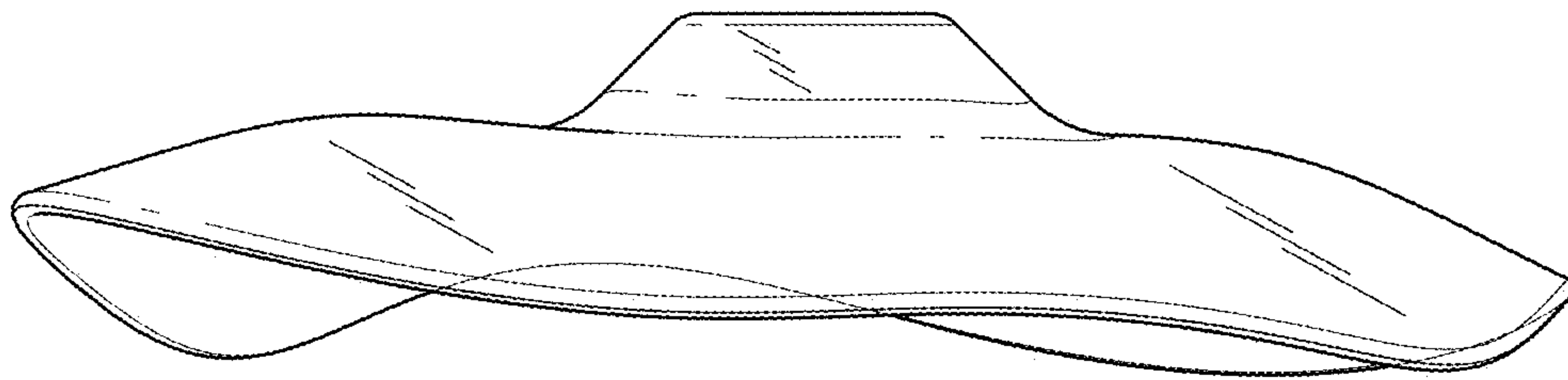


FIG. 3

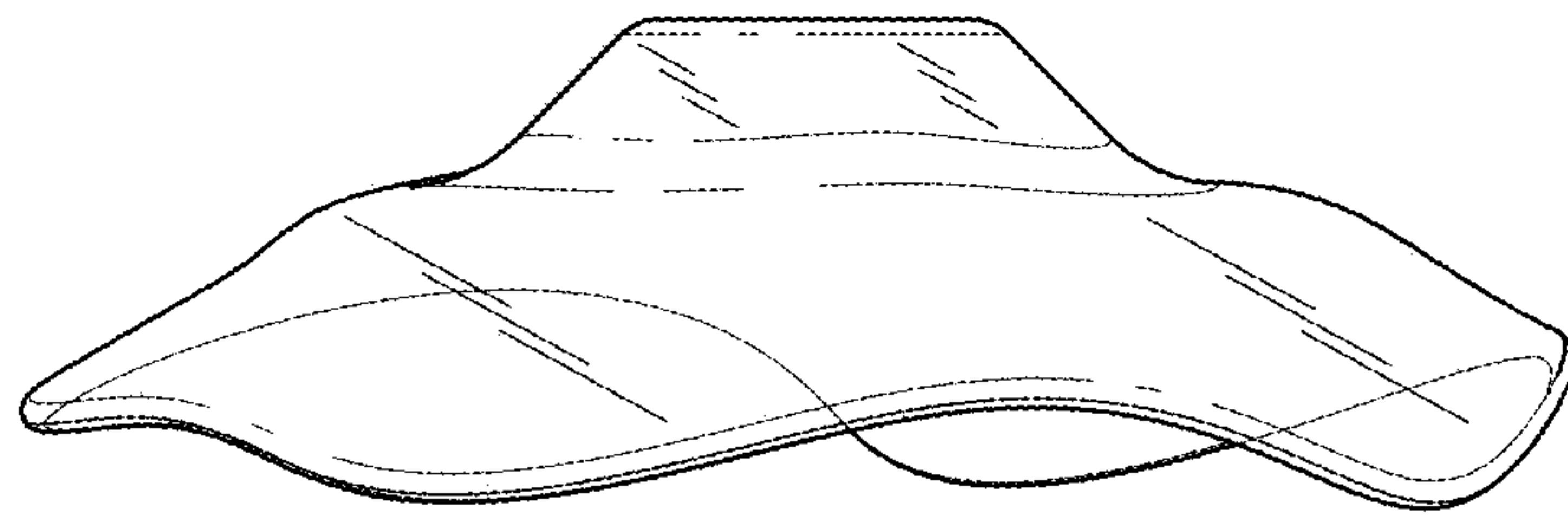


FIG. 4

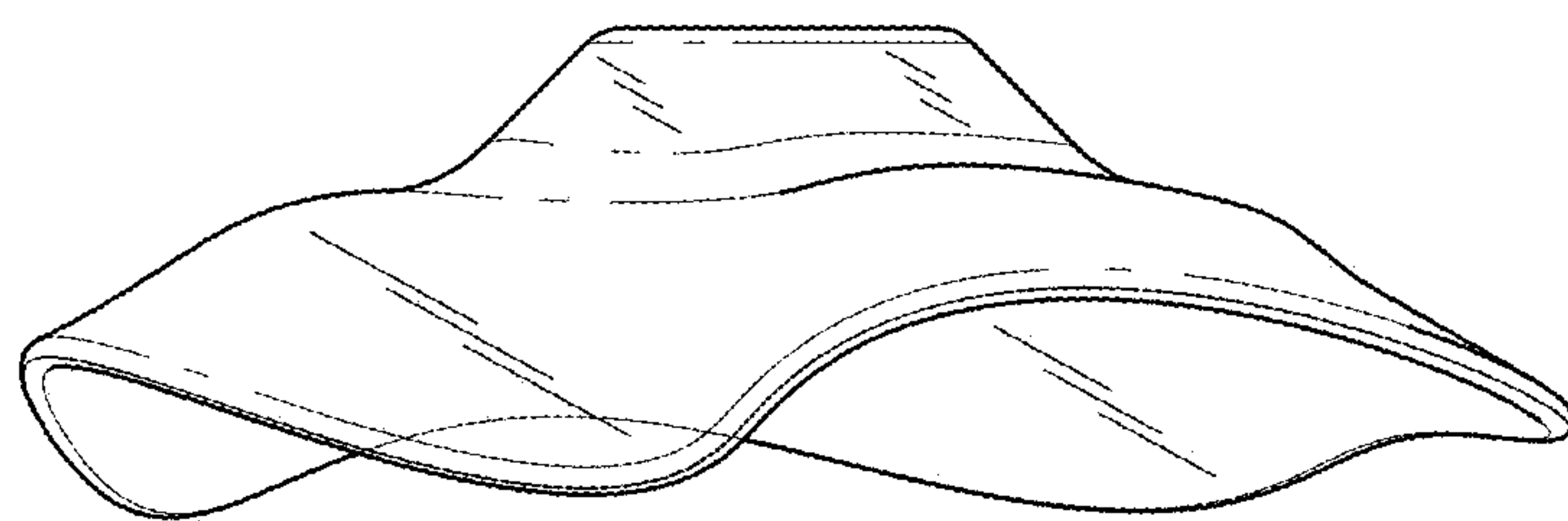


FIG. 5

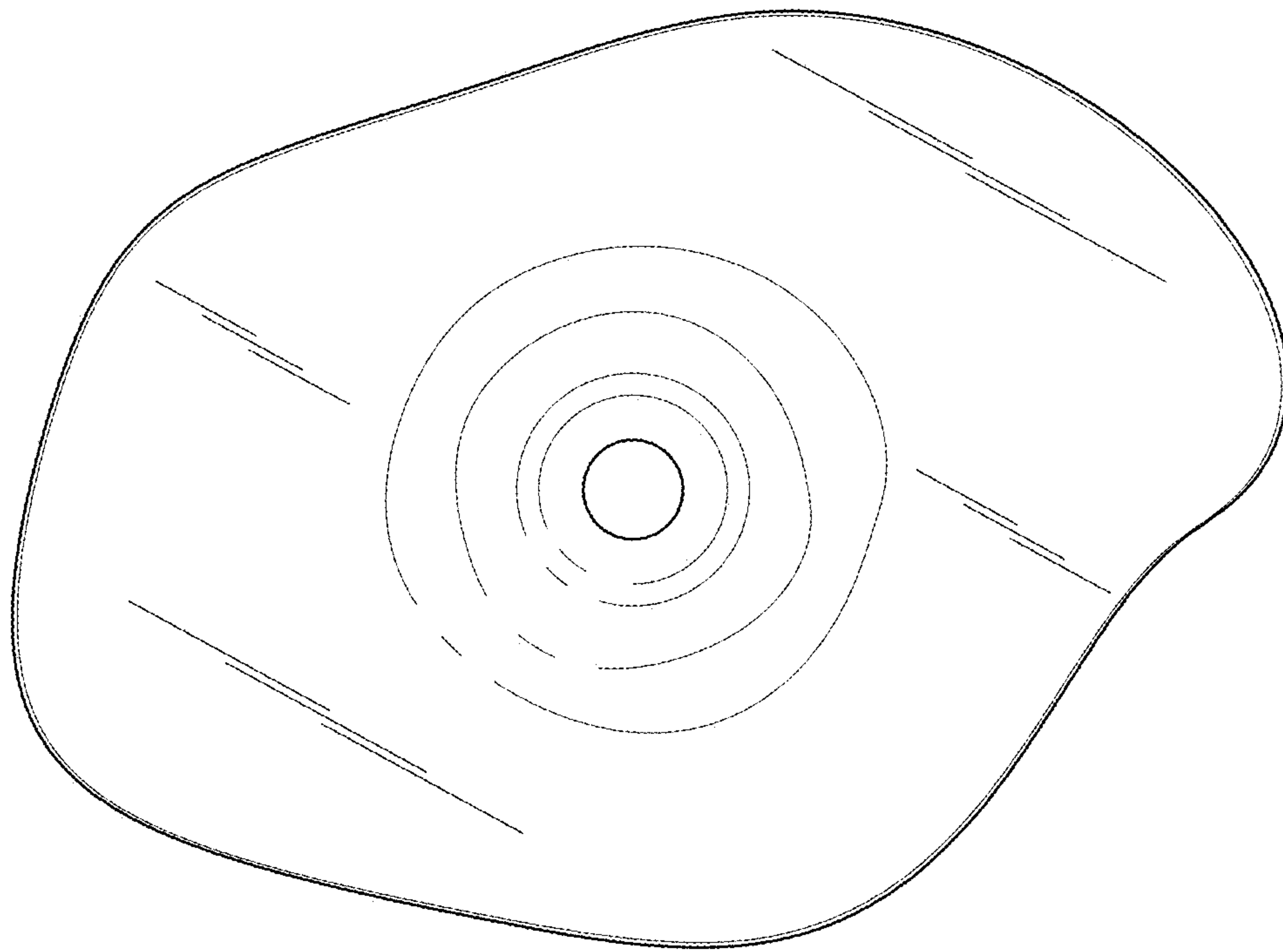


FIG. 6

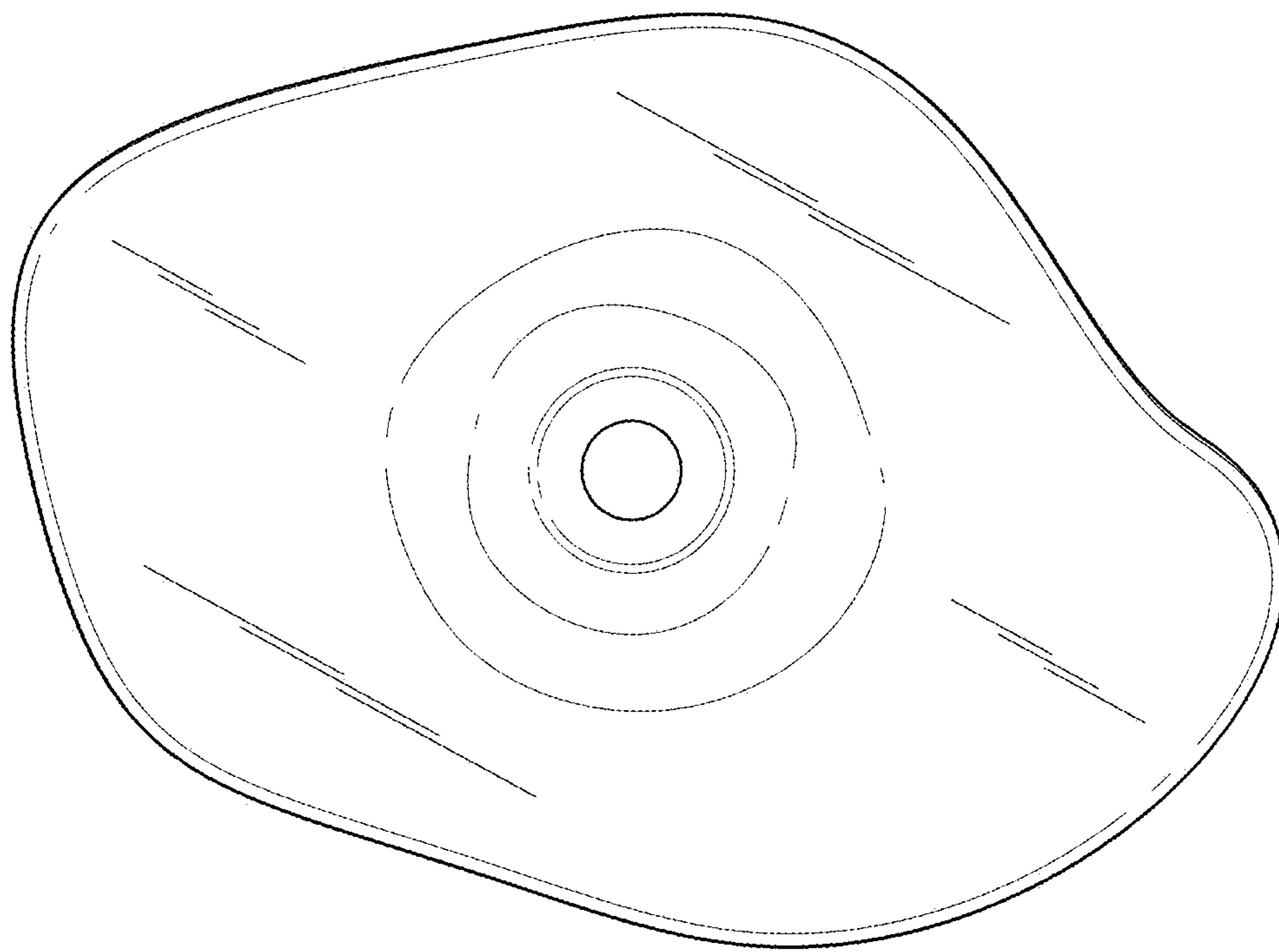


FIG. 7