



US00D896434S

(12) **United States Design Patent**
Probyn

(10) **Patent No.:** **US D896,434 S**

(45) **Date of Patent:** **** Sep. 15, 2020**

(54) **LAMP**

(71) Applicant: **Inter IKEA Systems B.V.**, LN Delft
(NL)

(72) Inventor: **Aaron Probyn**, London (GB)

(73) Assignee: **INTER IKEA SYSTEMS B.V.**, Delft
(NL)

(**) Term: **15 Years**

(21) Appl. No.: **29/671,913**

(22) Filed: **Nov. 30, 2018**

(30) **Foreign Application Priority Data**

Jun. 5, 2018 (EM) 005298098

(51) **LOC (12) Cl.** **26-05**

(52) **U.S. Cl.**
USPC **D26/128**

(58) **Field of Classification Search**

USPC D26/1, 24, 40, 88, 93, 96, 104, 105, 106,
D26/107, 108, 109, 110, 128; D14/172,
D14/188, 496, 509

CPC F21S 6/00; F21S 6/002; F21S 6/003; F21S
6/004; F21S 6/005; F21S 6/006; F21S
6/007; F21S 8/035; F21S 8/063; F21V
15/01; F21V 15/012; F21V 21/06; F21V
21/08; F21V 33/00; F21V 33/0024; F21V
33/0048; F21V 33/0056; F21W 2131/30;
F21W 2131/40; F21W 2131/301

See application file for complete search history.

(56) **References Cited**

U.S. PATENT DOCUMENTS

D525,740 S * 7/2006 Parker D26/104
D605,337 S * 12/2009 Zhang D26/93

D629,150 S *	12/2010	Douloubakas	D26/93
D639,492 S *	6/2011	Lee	D26/93
D694,746 S *	12/2013	Akana	D14/314
D724,254 S *	3/2015	Sun	D26/101
D770,672 S *	11/2016	Ju	D26/128
D796,725 S *	9/2017	Recker	D26/104
D812,643 S *	3/2018	Akana	D14/496
D815,335 S *	4/2018	Lin	D26/110
D843,418 S *	3/2019	Demin	D14/496
D848,051 S *	5/2019	Huang	D26/104
D850,682 S *	6/2019	DeBrunner	D26/40
D860,257 S *	9/2019	Akana	D14/496
D861,227 S *	9/2019	Sonneman	D26/88
D861,964 S *	10/2019	Lin	D26/110
D863,356 S *	10/2019	Akana	D14/496
D883,558 S *	5/2020	Zhao	D26/106
D884,955 S *	5/2020	Yi	D26/104
D885,640 S *	5/2020	Civelekoglu	D26/104
D890,981 S *	7/2020	Toikka	D26/93
2019/0230434 A1 *	7/2019	Stanley	H04R 7/127

* cited by examiner

Primary Examiner — Wan Laymon

Assistant Examiner — Clint A Samuel

(74) *Attorney, Agent, or Firm* — Tucker Ellis LLP

(57) **CLAIM**

The ornamental design for a lamp, as shown and described.

DESCRIPTION

FIG. 1 is a perspective view of a lamp showing my new design;

FIG. 2 is a front view thereof;

FIG. 3 is a rear view thereof;

FIG. 4 is a right side view thereof;

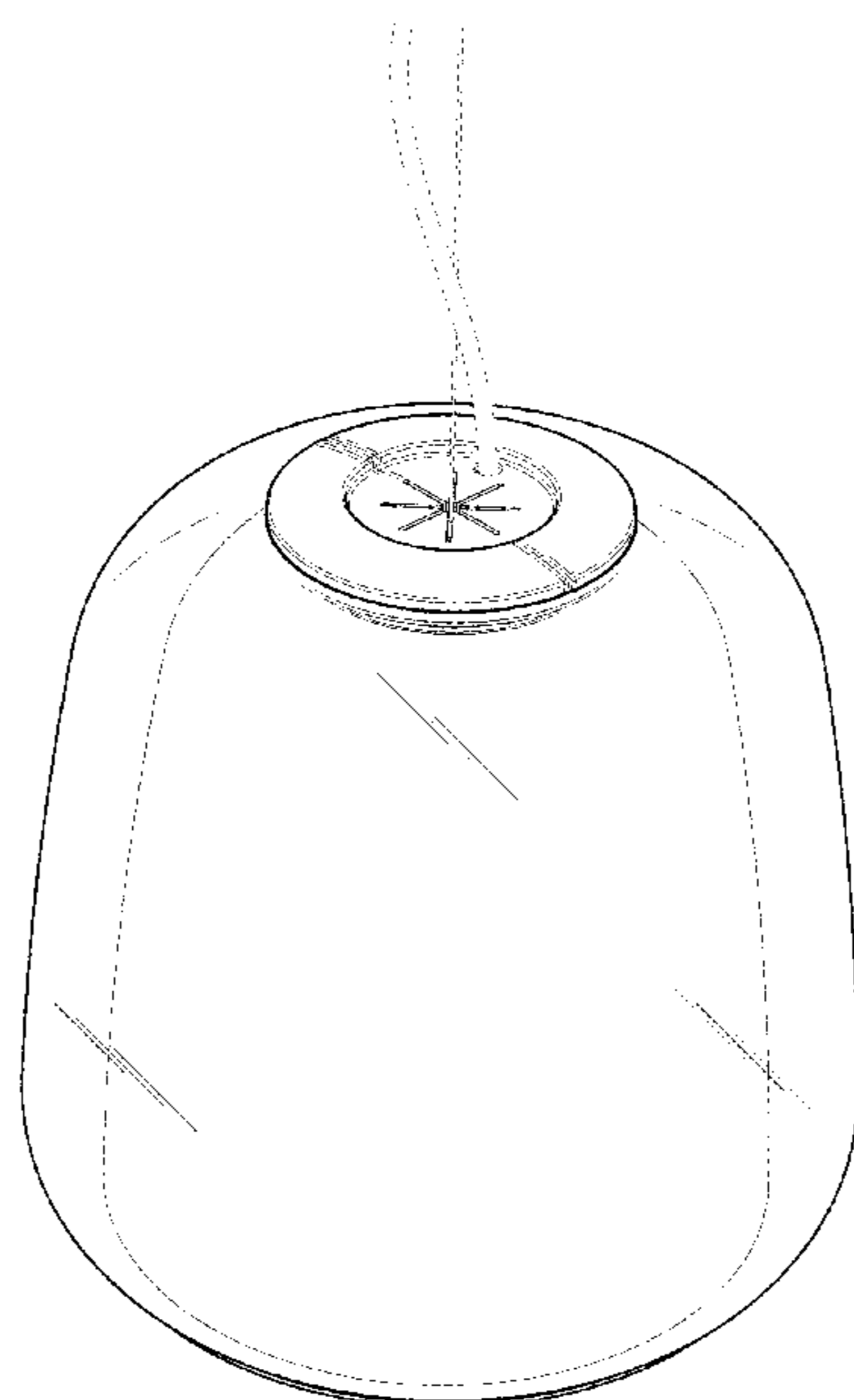
FIG. 5 is a left side view thereof;

FIG. 6 is a top view thereof; and,

FIG. 7 is a bottom view thereof.

The broken lines are for the purpose of illustrating portions of the lamp and form no part of the claimed design.

1 Claim, 7 Drawing Sheets



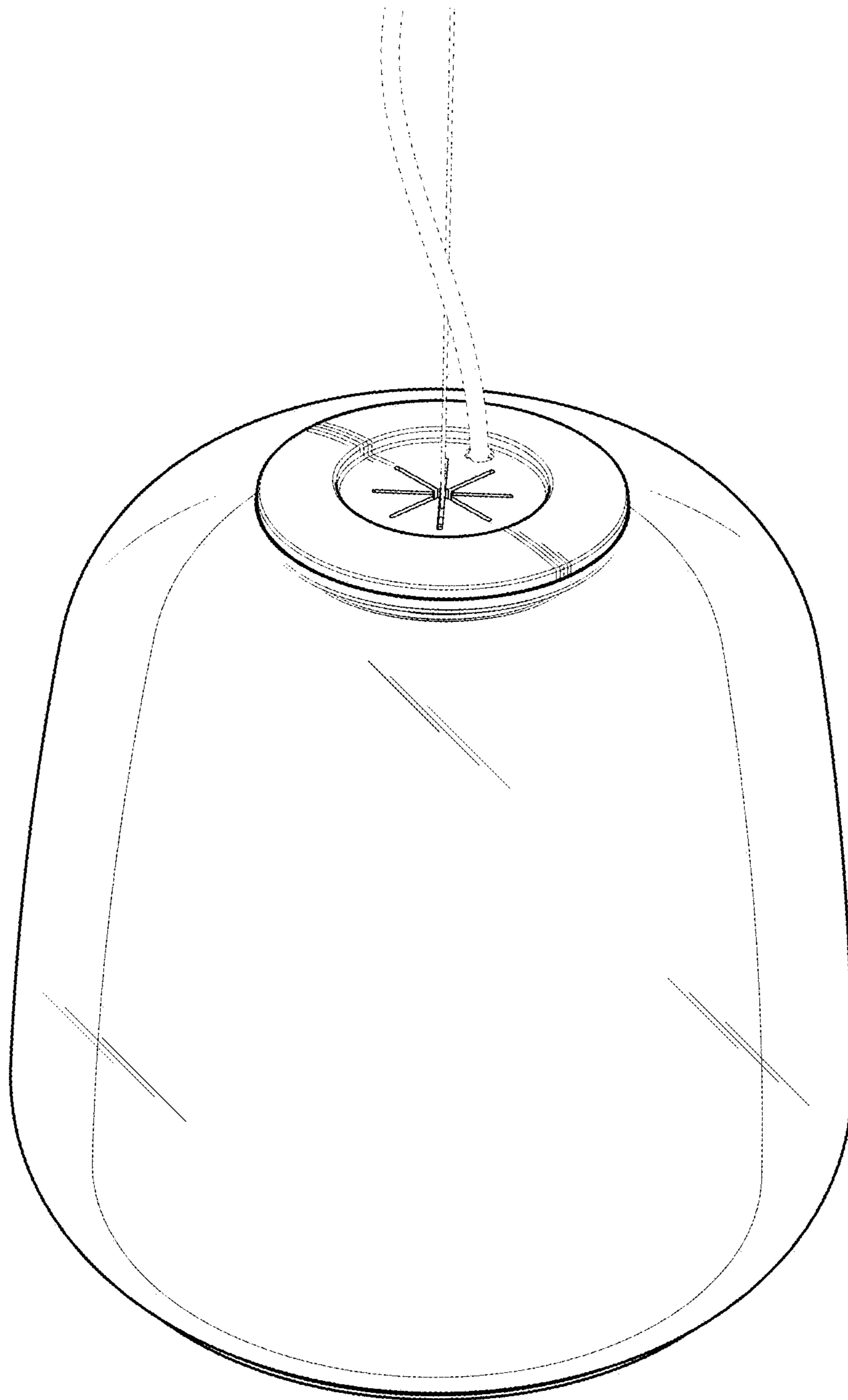


FIG. 1

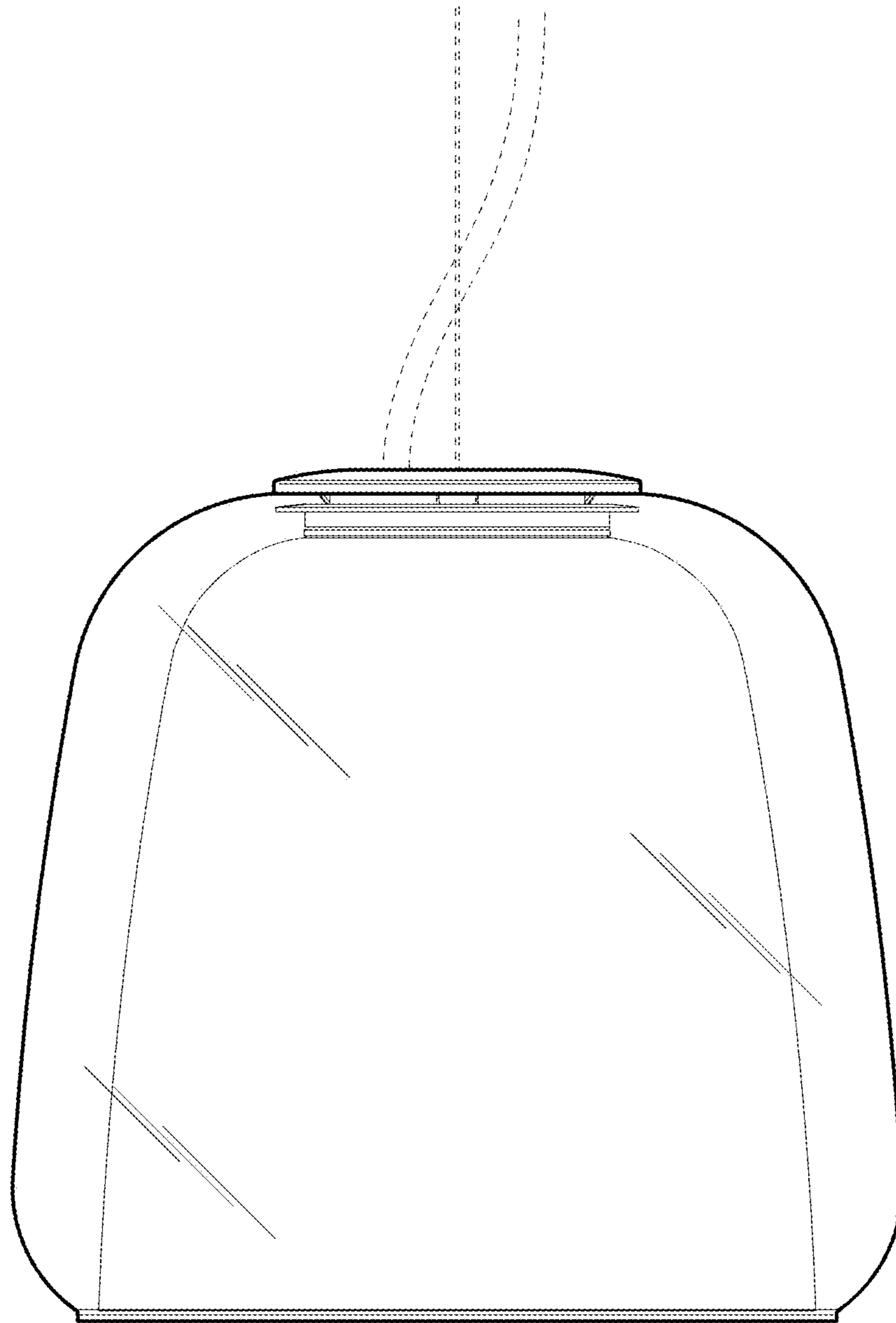


FIG. 2

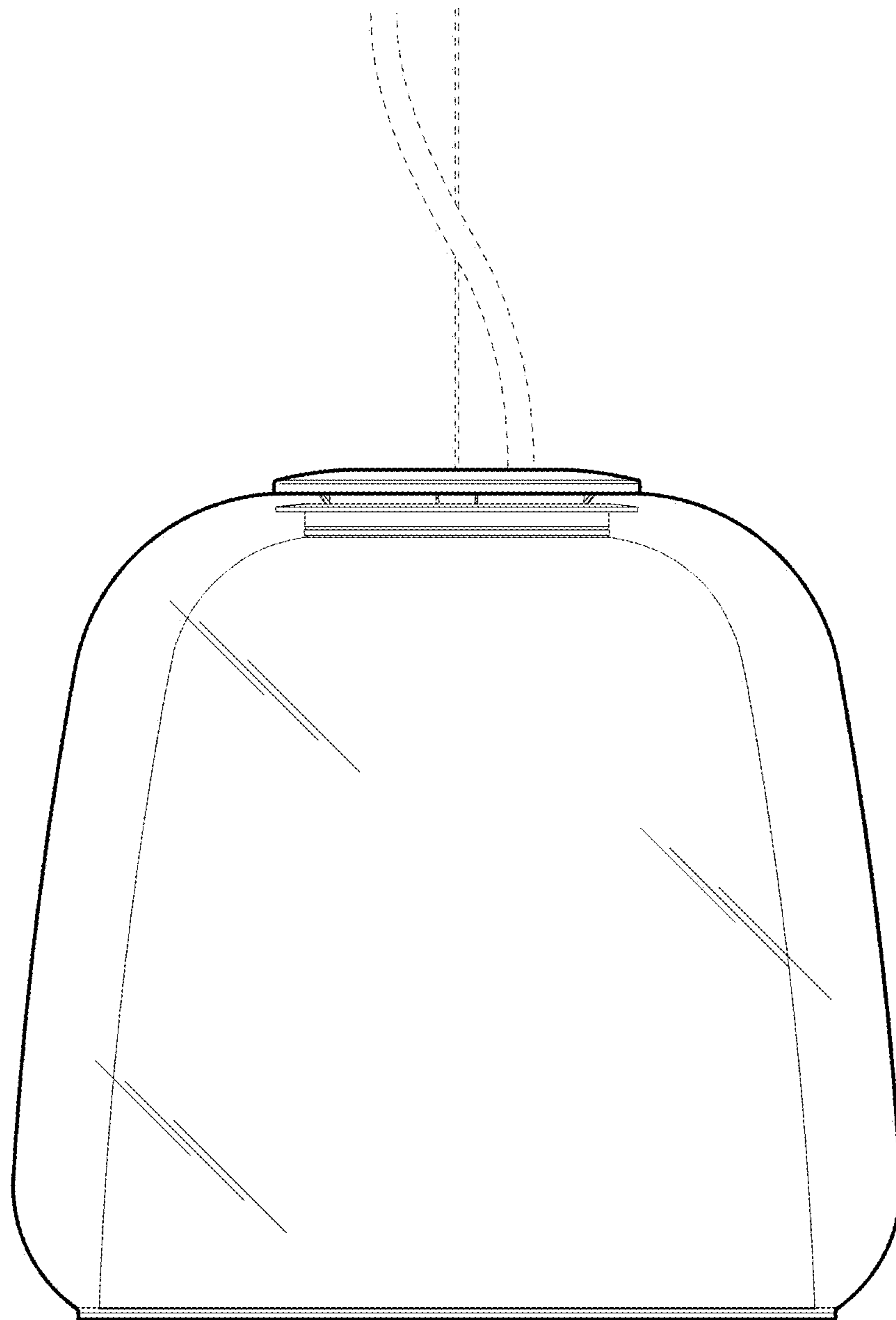


FIG. 3

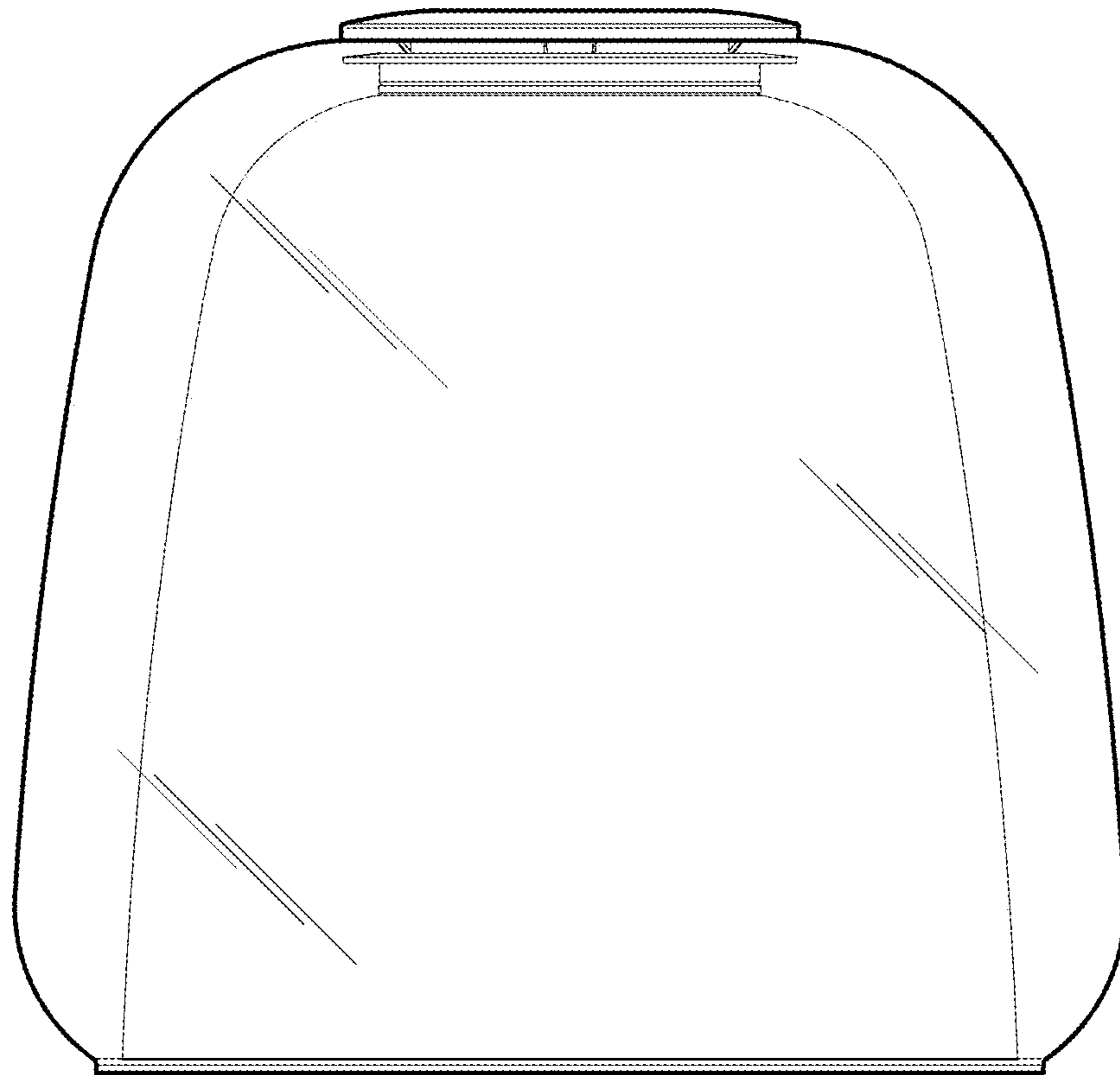


FIG. 4

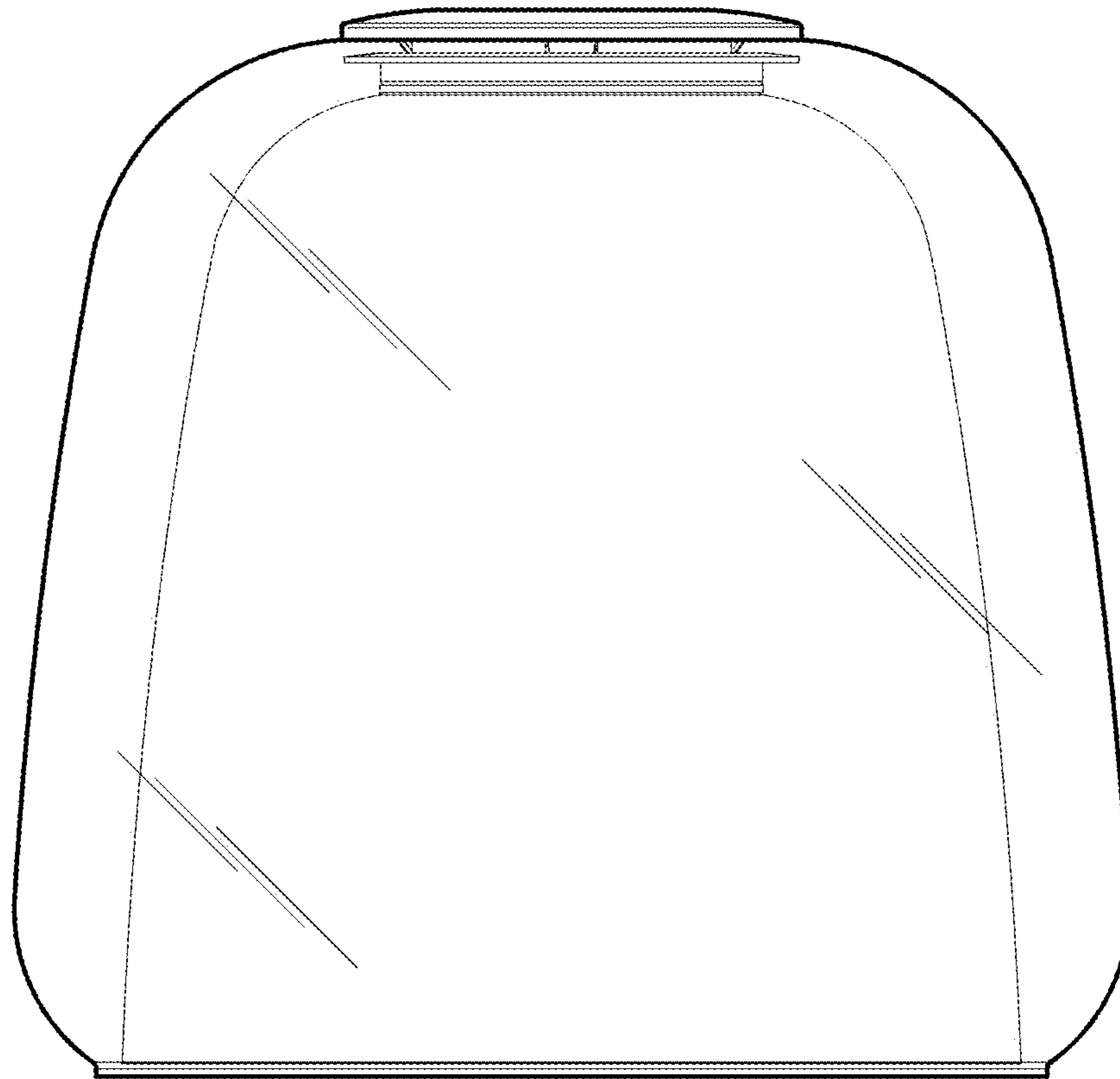


FIG. 5

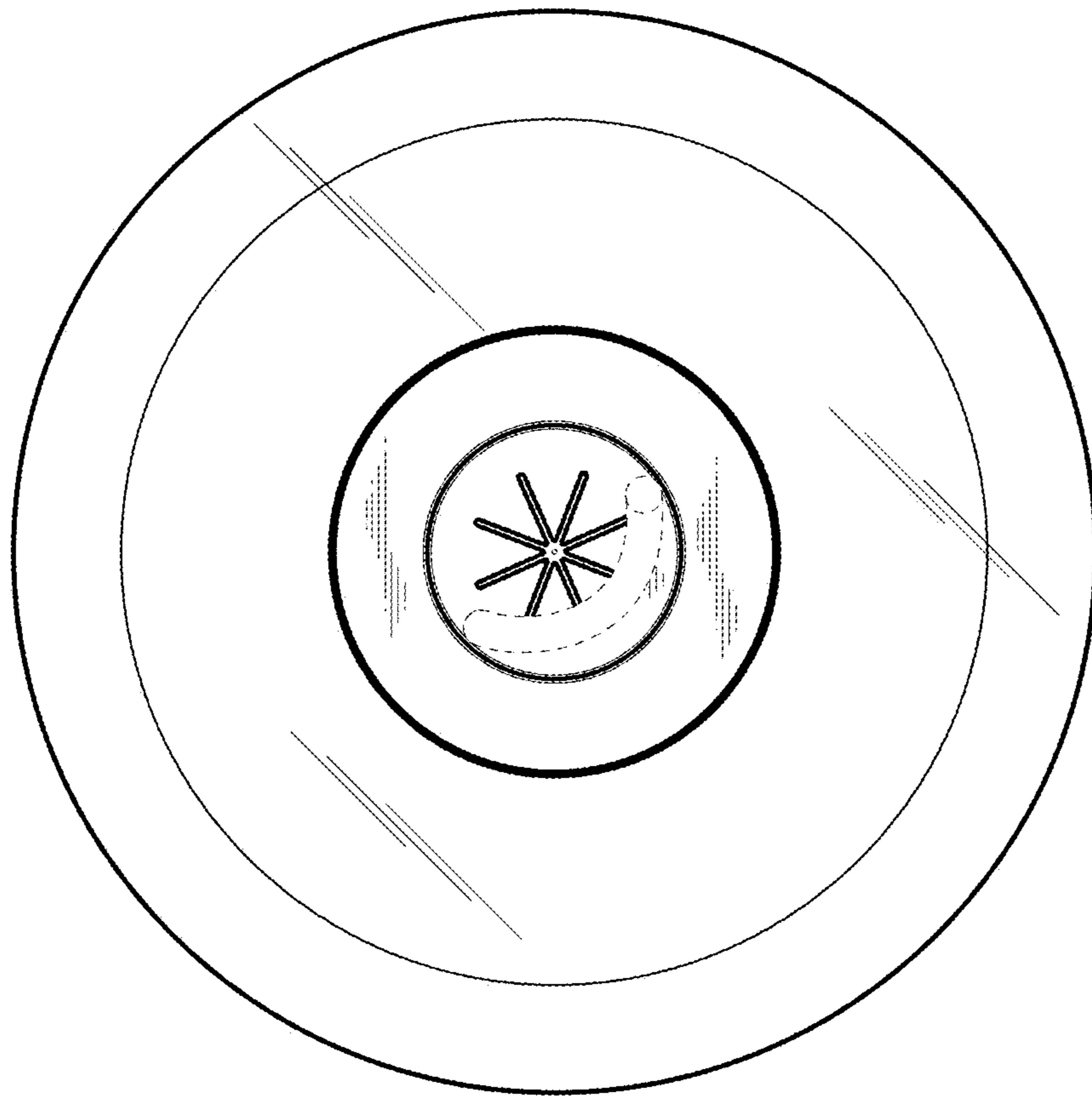


FIG. 6

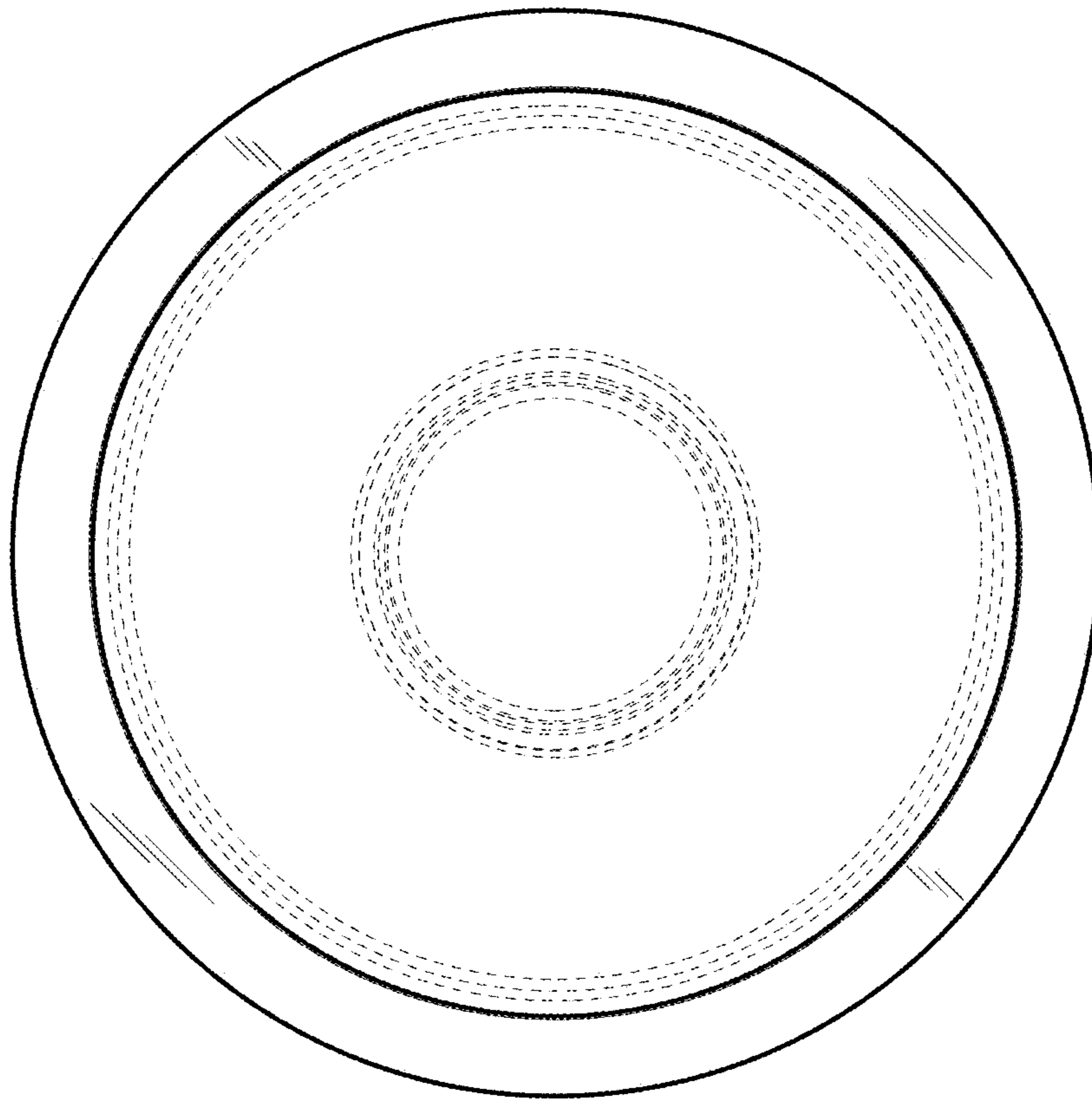


FIG. 7