

US00D896430S

(12) **United States Design Patent** (10) **Patent No.:** **US D896,430 S**
Kim et al. (45) **Date of Patent:** **** Sep. 15, 2020**

(54) **LAMP**

(71) Applicant: **Williams-Sonoma, Inc.**, San Francisco, CA (US)

(72) Inventors: **Jane Kim**, San Francisco, CA (US);
Amanda Whitley Edwards, San Francisco, CA (US)

(73) Assignee: **Williams-Sonoma, Inc.**, San Francisco, CA (US)

(**) Term: **15 Years**

(21) Appl. No.: **29/671,248**

(22) Filed: **Nov. 26, 2018**

(51) **LOC (12) Cl.** **26-05**

(52) **U.S. Cl.**
USPC **D26/93**

(58) **Field of Classification Search**
USPC D26/1, 24, 40, 88, 93, 96, 104, 105, 106,
D26/107, 108, 109, 110, 128; D14/172,
D14/188, 496, 509
CPC F21S 6/00; F21S 6/002; F21S 6/003; F21S
6/004; F21S 6/005; F21S 6/006; F21S
6/007; F21S 8/035; F21S 8/063; F21V
15/01; F21V 15/012; F21V 21/06; F21V
21/08; F21V 33/00; F21V 33/0024; F21V
33/0048; F21V 33/0056; F21W 2131/30;
F21W 2131/40; F21W 2131/301
See application file for complete search history.

(56) **References Cited**

U.S. PATENT DOCUMENTS

1,733,567 A * 10/1929 White F21S 8/00
362/269

D407,995 S * 4/1999 Gallegos D11/164

D556,361 S * 11/2007 Arbel D26/88

D607,140 S * 12/2009 Farris D26/105

D646,836 S * 10/2011 Wauters D26/93

D650,511 S * 12/2011 Hine D26/93

D670,424 S * 11/2012 Lee D26/93

D677,826 S * 3/2013 Bruneel D26/93

D679,854 S * 4/2013 Sun D26/93

D690,872 S * 10/2013 Meise D26/88

D698,984 S * 2/2014 Meise D26/107

D736,453 S * 8/2015 Motzkin D26/128

9,222,663 B1 * 12/2015 Yang G09F 19/02

D772,457 S * 11/2016 Lee D26/52

D786,485 S * 5/2017 Amato D26/106

D802,825 S * 11/2017 Michael D26/93

D828,609 S * 9/2018 Barber D26/110

D831,878 S * 10/2018 Reybier D26/93

D836,821 S * 12/2018 Ossino D26/106

D836,822 S * 12/2018 Crocker D26/107

D882,152 S * 4/2020 Probyn D26/106

D888,321 S * 6/2020 Smrstick D26/93

2014/0268669 A1 * 9/2014 Yang F21S 8/035
362/101

2018/0064072 A1 * 3/2018 Chattin A01K 63/003

* cited by examiner

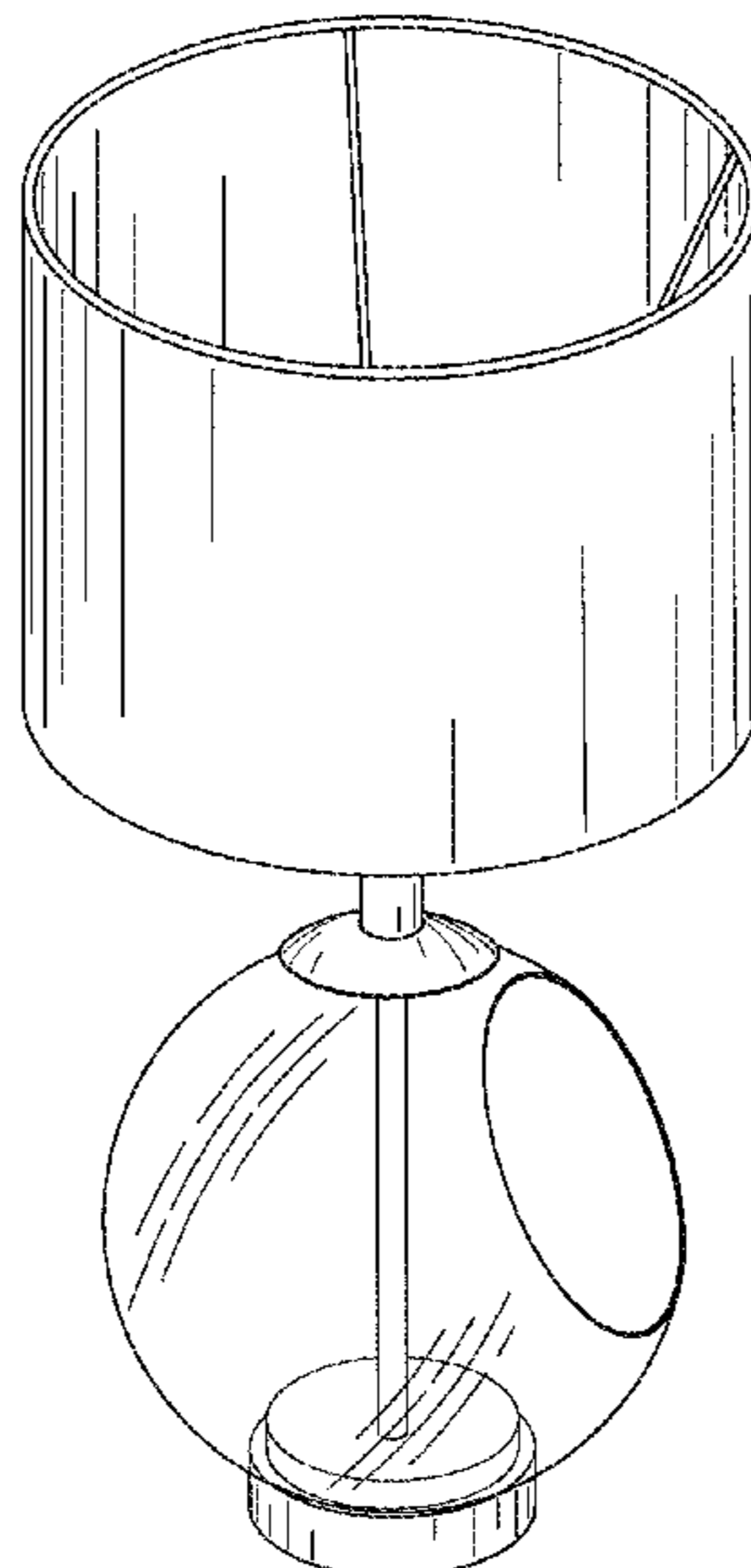
Primary Examiner — Wan Laymon
Assistant Examiner — Clint A Samuel
(74) *Attorney, Agent, or Firm* — Cook Alex Ltd.; R.
Blake Johnston

(57) **CLAIM**
The ornamental design for a lamp, as shown and described.

DESCRIPTION

FIG. 1 is a perspective view of the lamp;
FIG. 2 is a front elevational view of the lamp;
FIG. 3 is a rear elevational view of the lamp;
FIG. 4 is a left side elevational view of the lamp;
FIG. 5 is a right side elevational view of the lamp;
FIG. 6 is a top plan view of the lamp; and,
FIG. 7 is a bottom plan view of the lamp.
The broken lines in the figures represent portions of the
article which form no part of the claim.

1 Claim, 6 Drawing Sheets



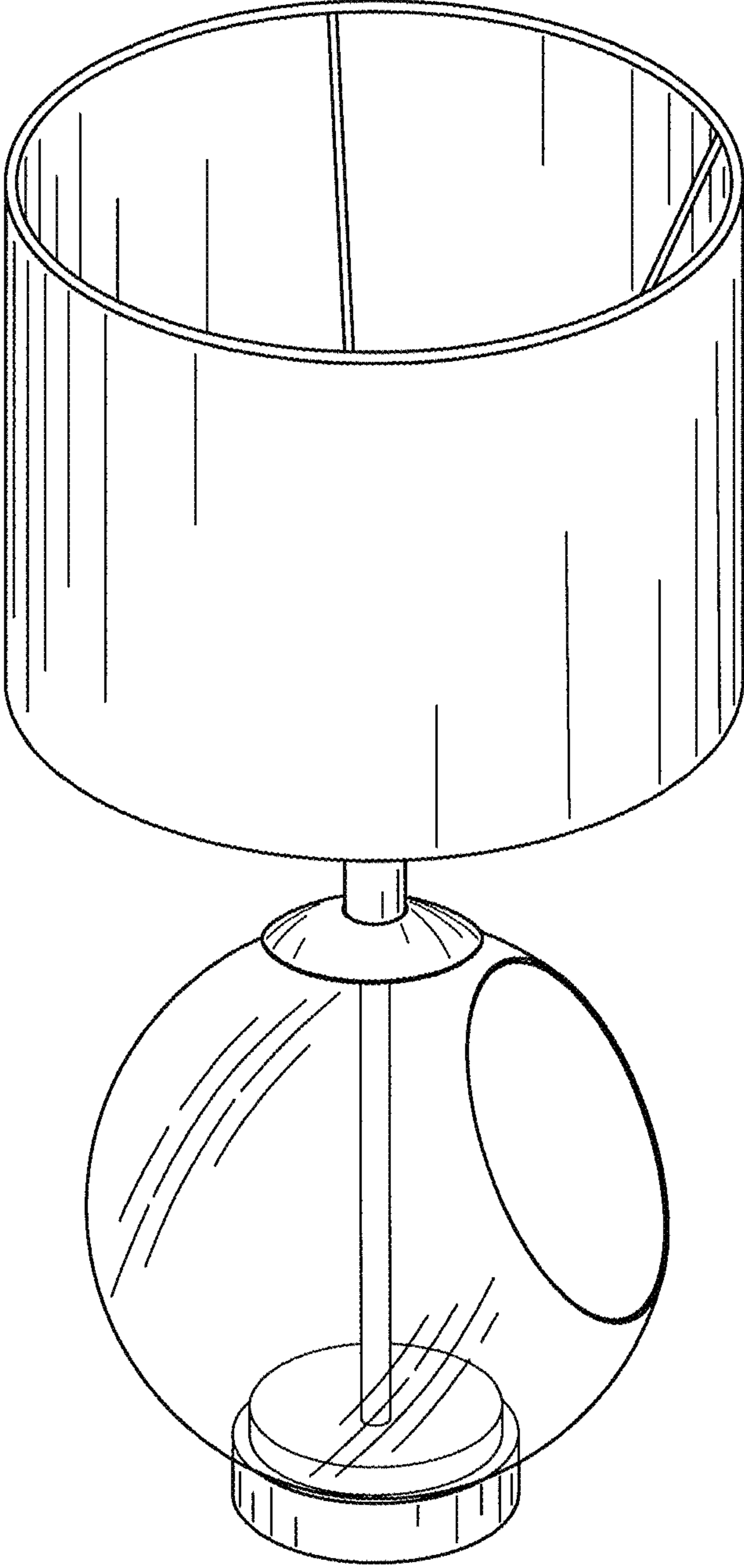


FIG. 1

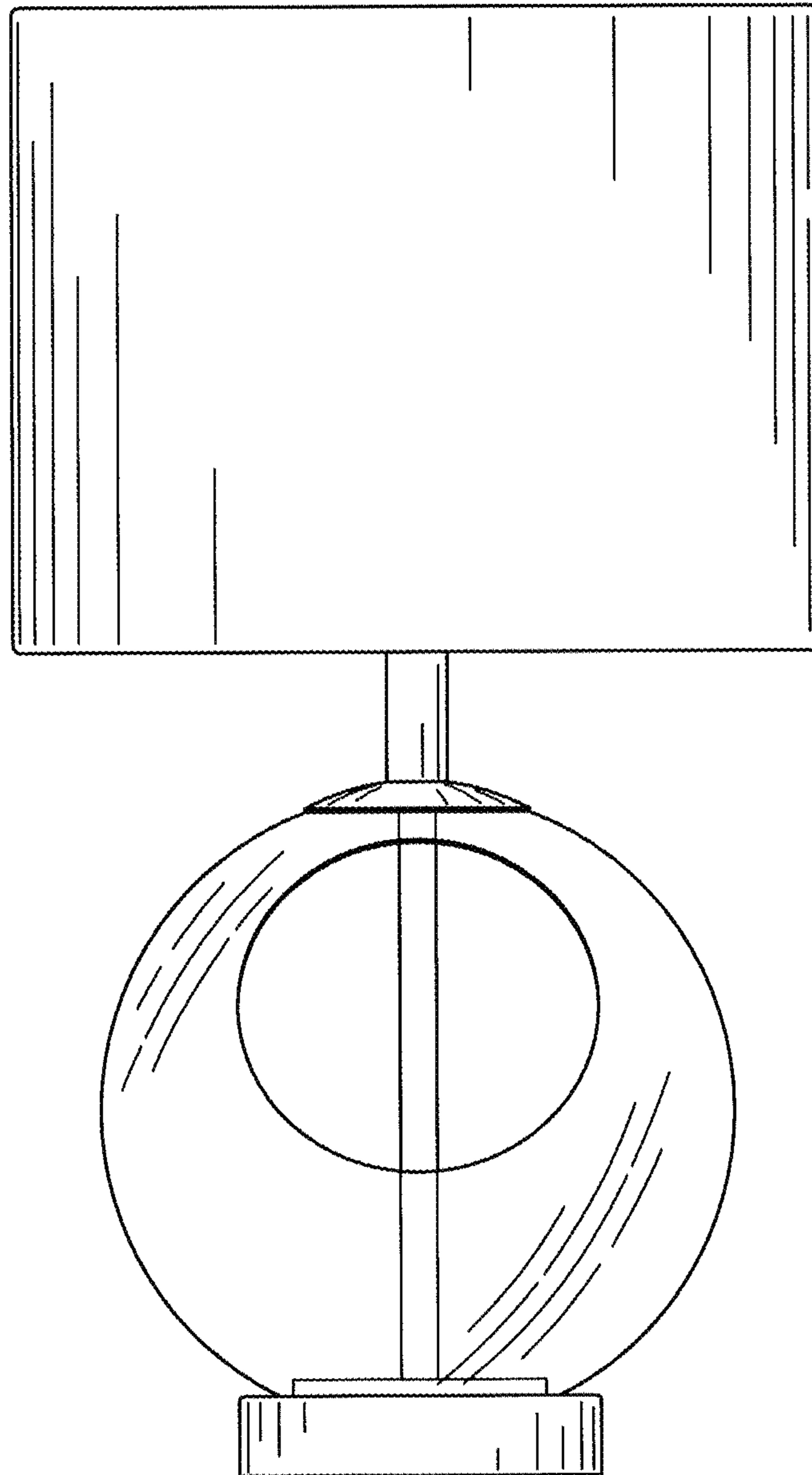


FIG. 2

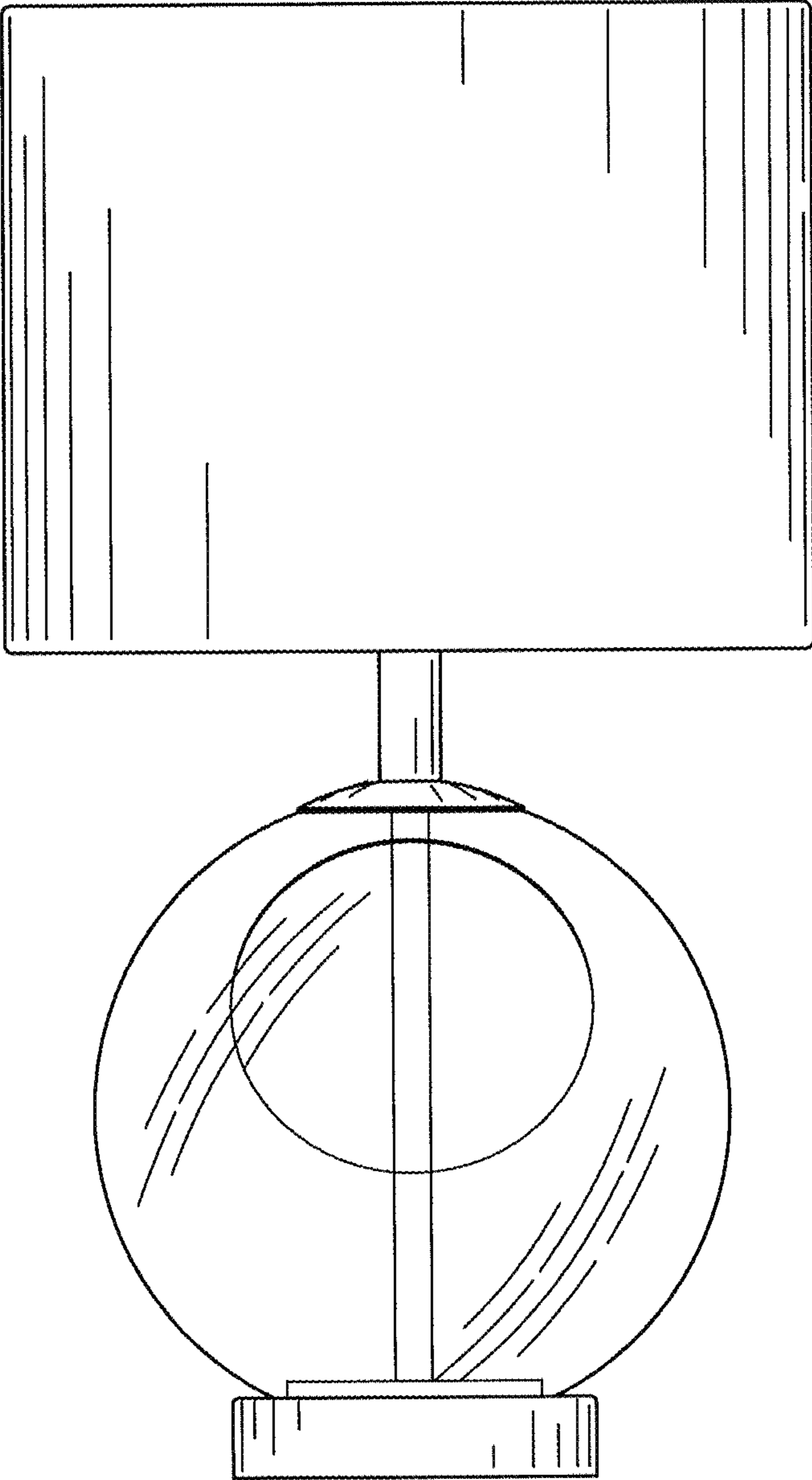


FIG. 3

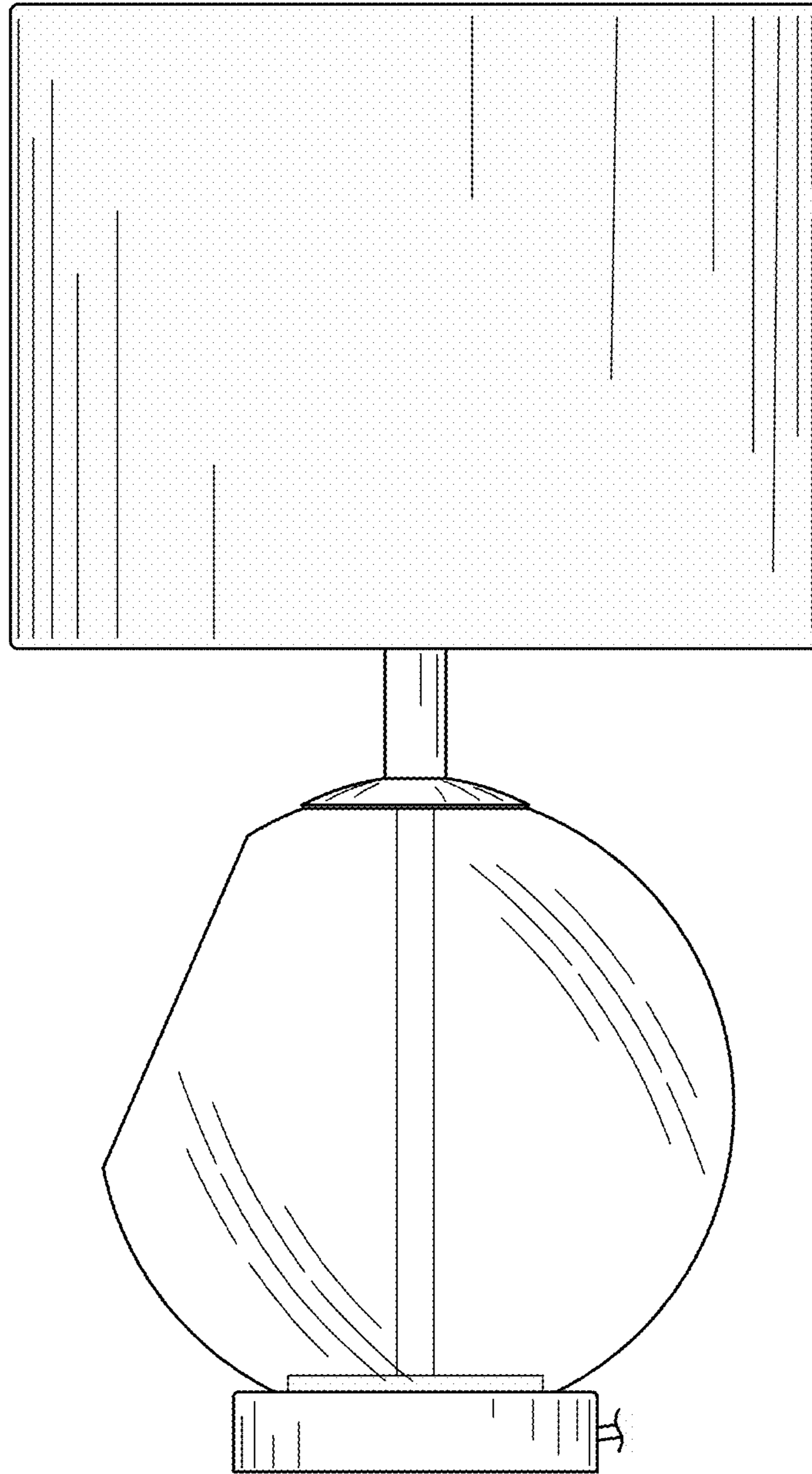


FIG. 4

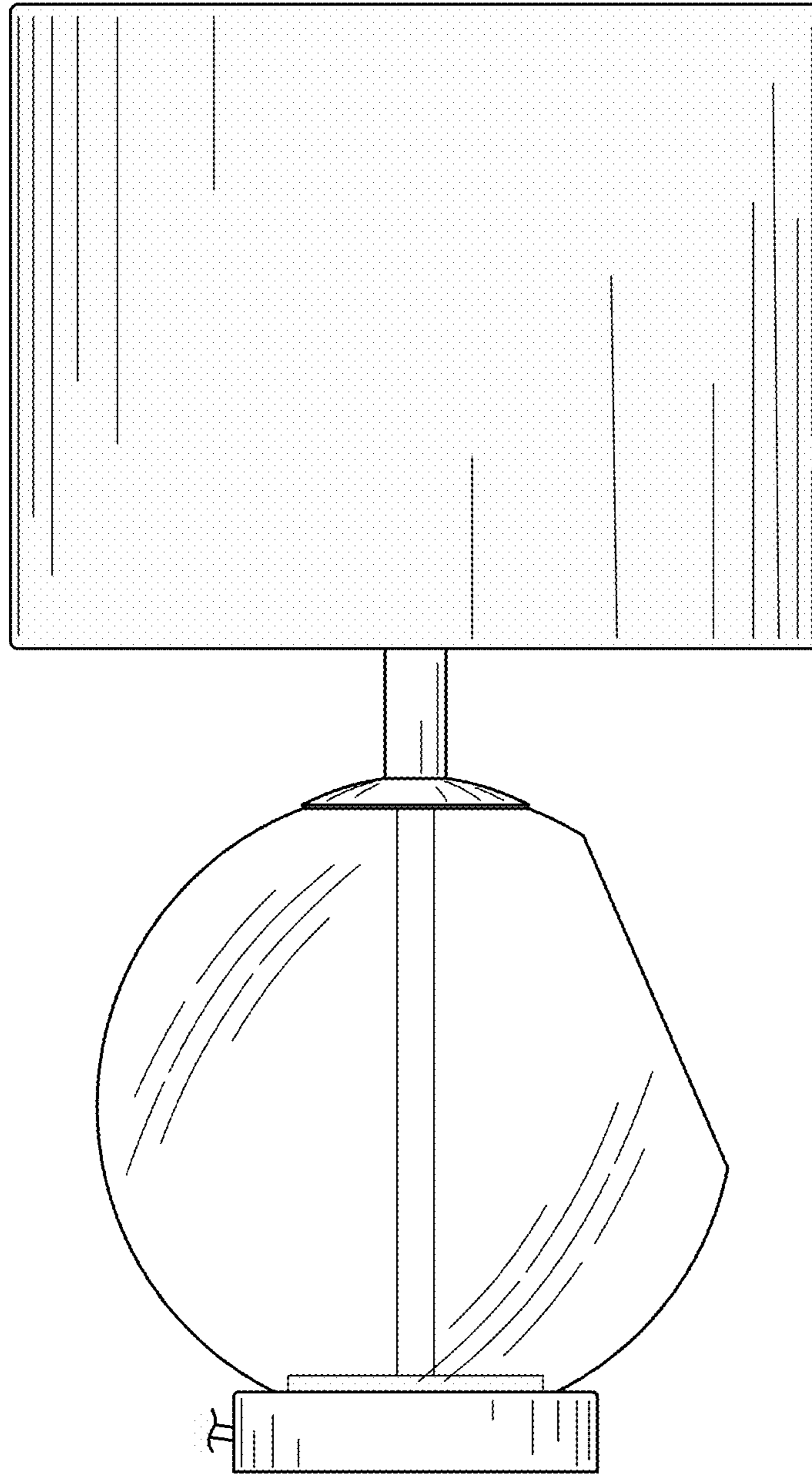


FIG. 5

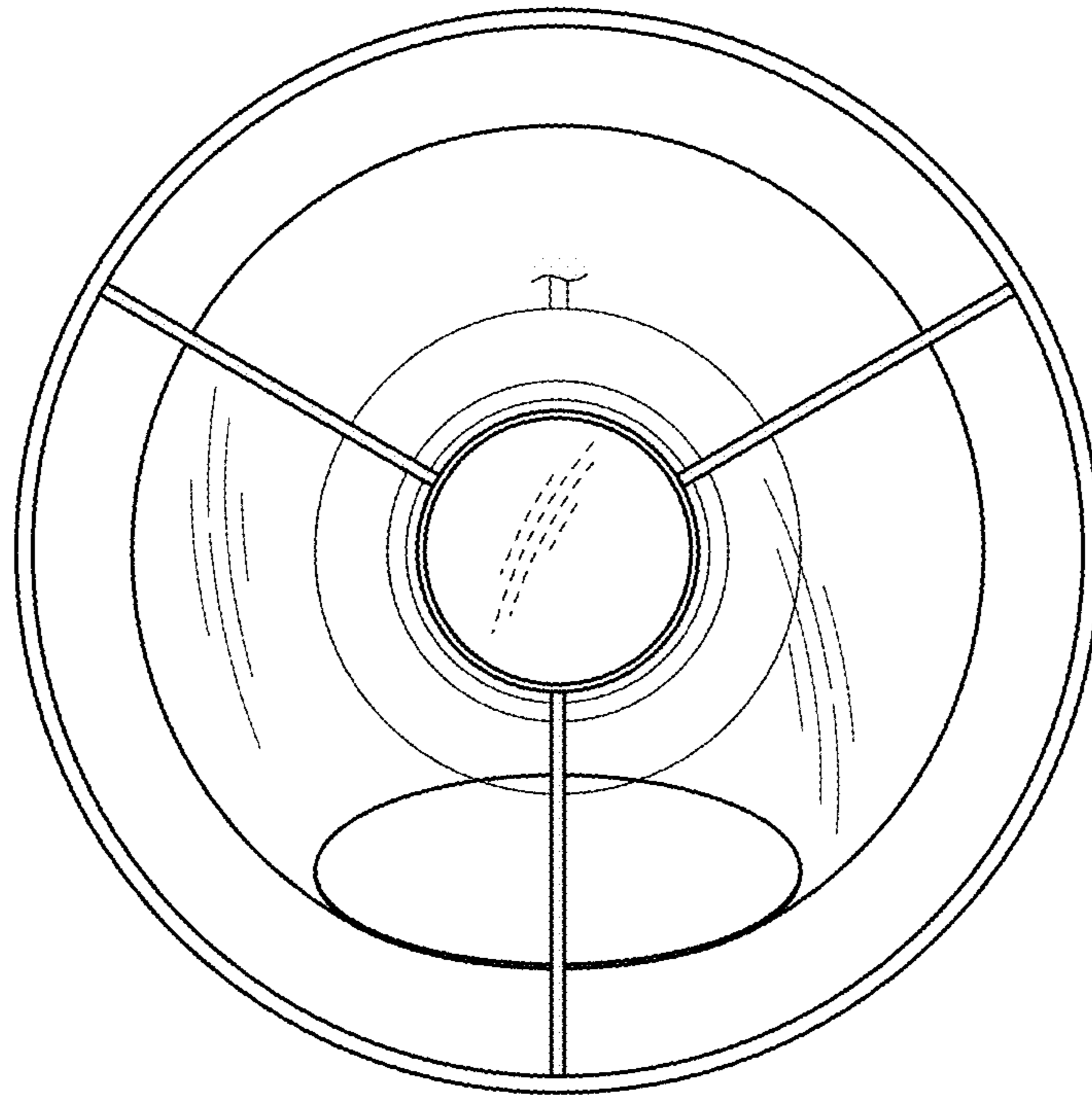


FIG. 6

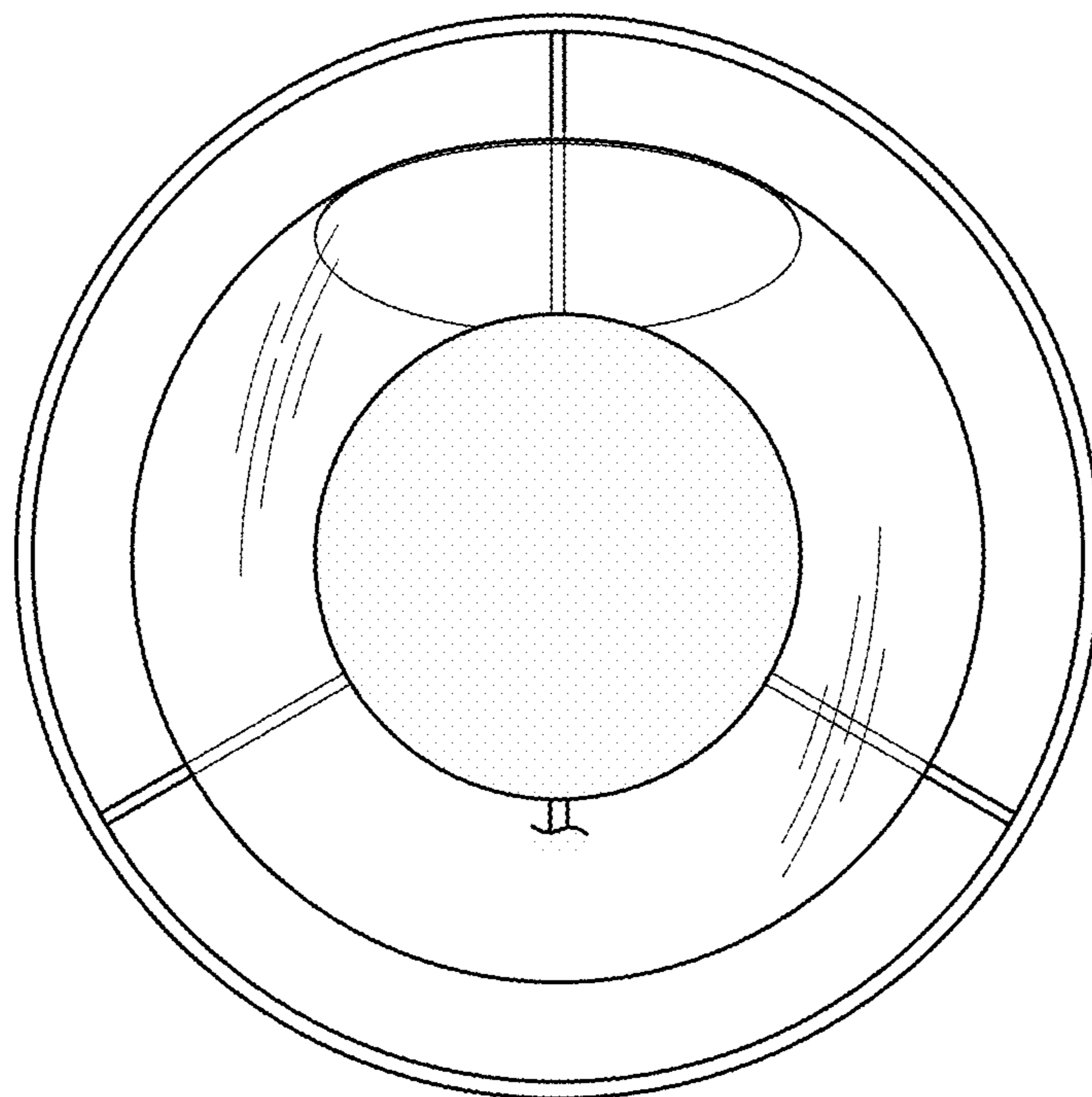


FIG. 7