

US00D896429S

(12) **United States Design Patent** (10) **Patent No.:** **US D896,429 S**
Velez (45) **Date of Patent:** **** Sep. 15, 2020**

(54) **LIGHT FIXTURE**

(71) Applicant: **HOLLY HUNT ENTERPRISES, INC.**, Chicago, IL (US)

(72) Inventor: **Alberto Velez**, Chicago, IL (US)

(73) Assignee: **HOLLY HUNT ENTERPRISES, INC.**

(**) Term: **15 Years**

(21) Appl. No.: **29/688,559**

(22) Filed: **Apr. 23, 2019**

(51) **LOC (12) Cl.** **26-03**

(52) **U.S. Cl.**
 USPC **D26/88; D26/90; D26/91**

(58) **Field of Classification Search**
 USPC D26/80–86, 88, 90, 91
 CPC F21S 8/04; F21S 8/043; F21S 8/046; F21S 8/06; F21S 8/061; F21S 8/063; F21S 8/065

See application file for complete search history.

(56) **References Cited**

U.S. PATENT DOCUMENTS

D591,444 S	4/2009	Beno et al.	
D605,334 S	12/2009	Hanser-Strecker	
D610,300 S	2/2010	Ngai et al.	
D635,711 S	4/2011	Scutella	
D655,856 S *	3/2012	Burks	D26/90
D716,486 S *	10/2014	Martin	D26/141
D740,480 S *	10/2015	Thompson	D26/90
D792,003 S	7/2017	Sonneman	
D809,182 S *	1/2018	Meise	D26/90
D809,699 S *	2/2018	Meise	D26/90
D810,993 S *	2/2018	Genovese	D26/91
D827,909 S *	9/2018	Silver	D26/90
D866,047 S *	11/2019	Anastasiades	D26/88
D866,844 S *	11/2019	Anastasiades	D26/88
D877,395 S *	3/2020	Genovese	D26/90

2012/0257388 A1* 10/2012 Bracher F21V 21/03
 362/249.01

2013/0329424 A1* 12/2013 Clark F21S 8/066
 362/235

2020/0132262 A1* 4/2020 Sonneman F21S 2/005

OTHER PUBLICATIONS

Hexagon LED Pendant Light by Mischa Couvrette, from hollis+morris sold at ylighting.com visited May 21, 2020. (Year: 2020).*

* cited by examiner

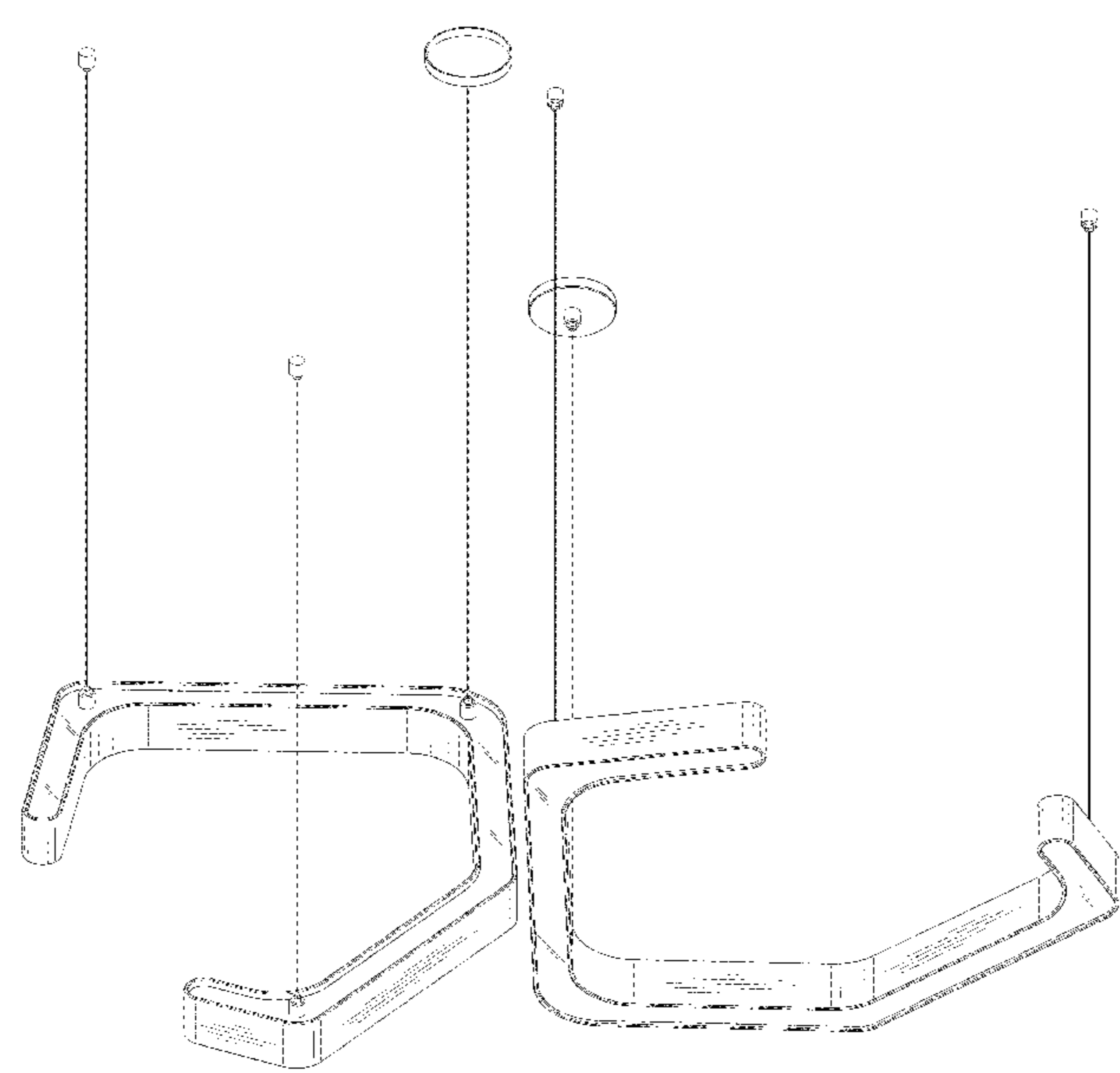
Primary Examiner — Clare E Heflin
 (74) Attorney, Agent, or Firm — The Belles Group, P.C.

(57) **CLAIM**
 The ornamental design for a light fixture, as shown and described.

DESCRIPTION

FIG. 1 is a front, top perspective view of a light fixture according to a first embodiment of the new design; FIG. 2 is a front, bottom perspective view thereof; FIG. 3 is a front view thereof; FIG. 4 is a rear view thereof; FIG. 5 is a right side view thereof, FIG. 6 is a left side view thereof; FIG. 7 is a top view thereof; FIG. 8 is a bottom view thereof; FIG. 9 is a front, top perspective view of a light fixture according to a second embodiment of the new design; FIG. 10 is a front, bottom perspective view thereof; FIG. 11 is a front view thereof; FIG. 12 is a rear view thereof; FIG. 13 is a right side view thereof, FIG. 14 is a left side view thereof; FIG. 15 is a top view thereof; and, FIG. 16 is a bottom view thereof. The broken lines in the drawings illustrating portions of the light fixture form no part of the claimed design.

1 Claim, 14 Drawing Sheets



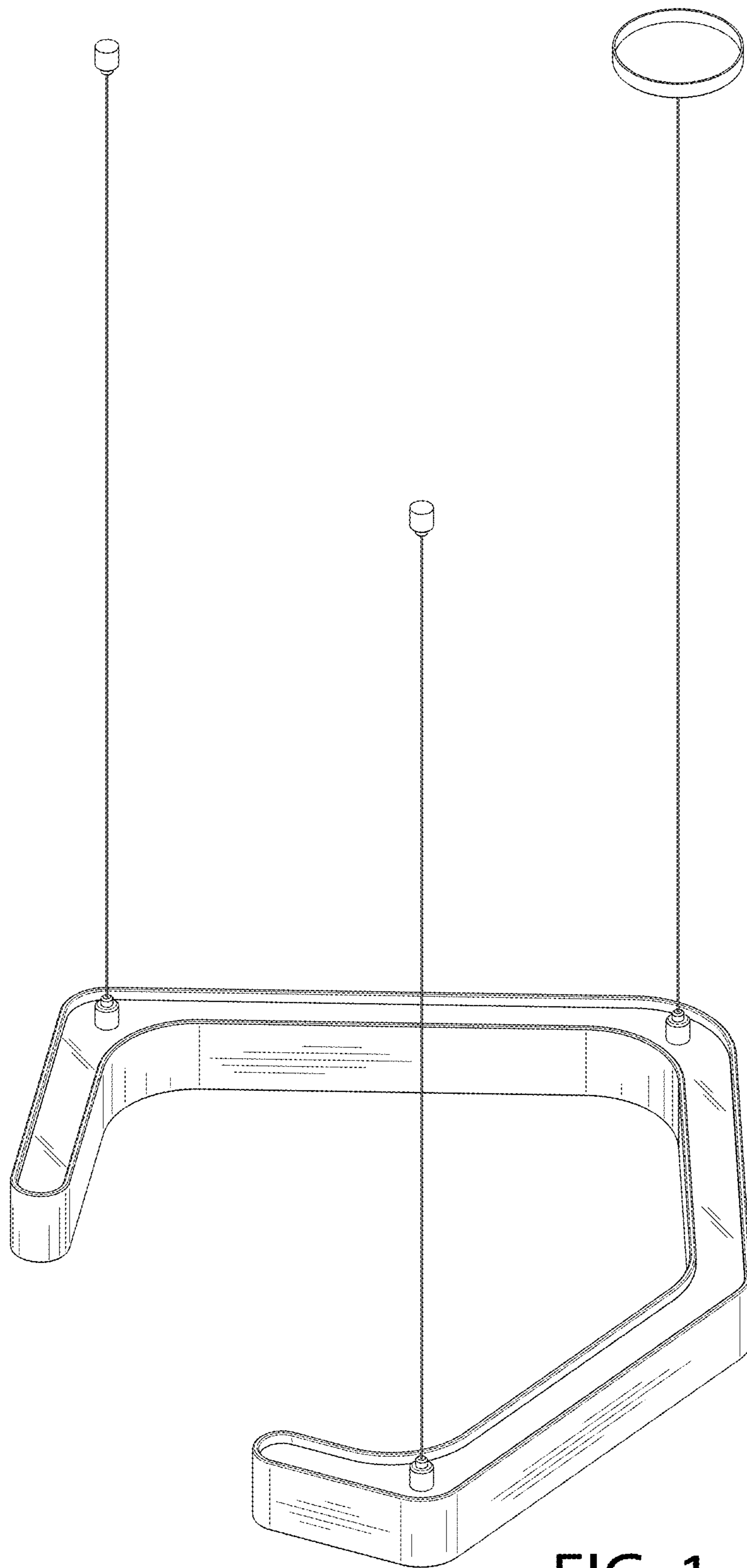


FIG. 1

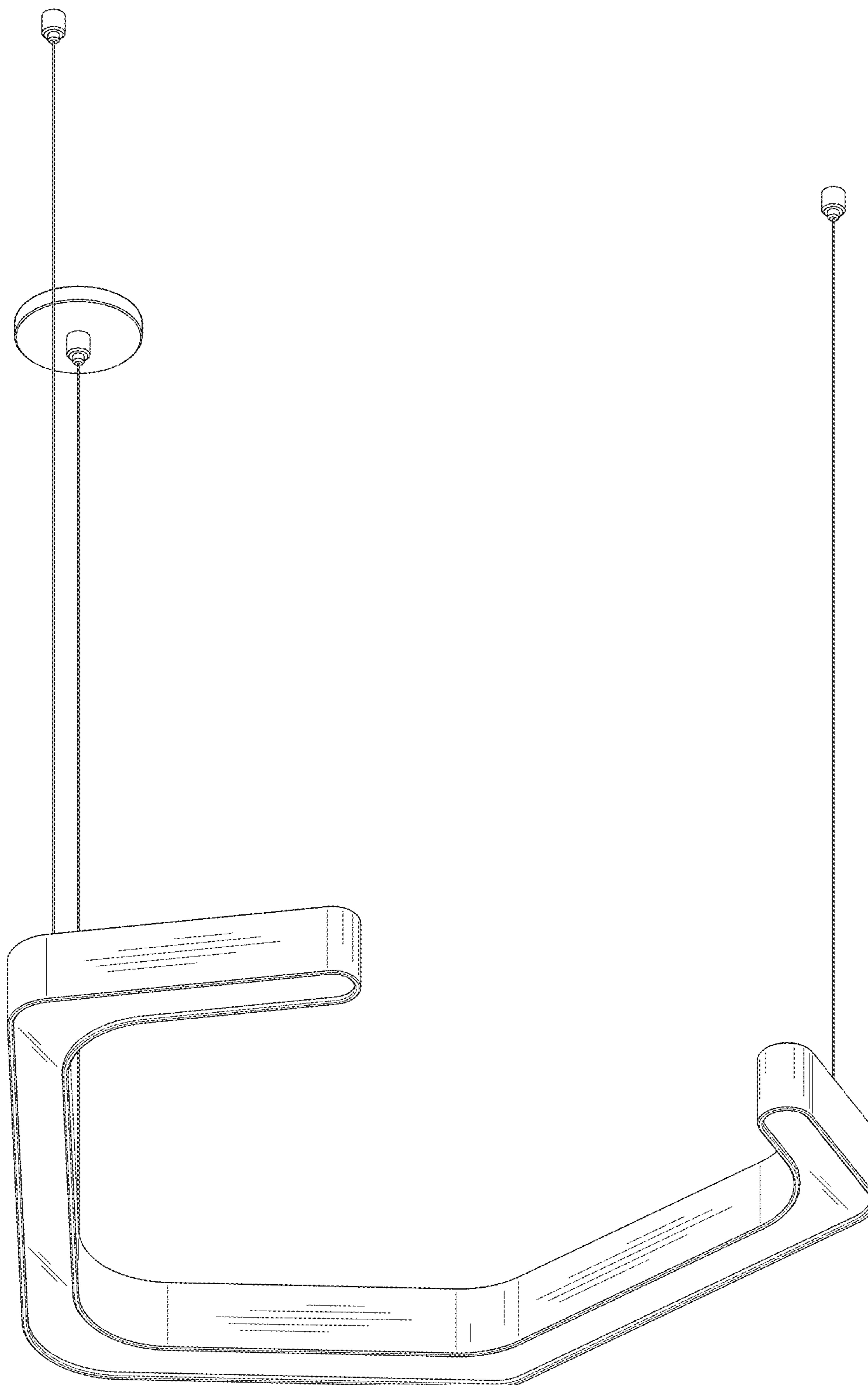


FIG. 2

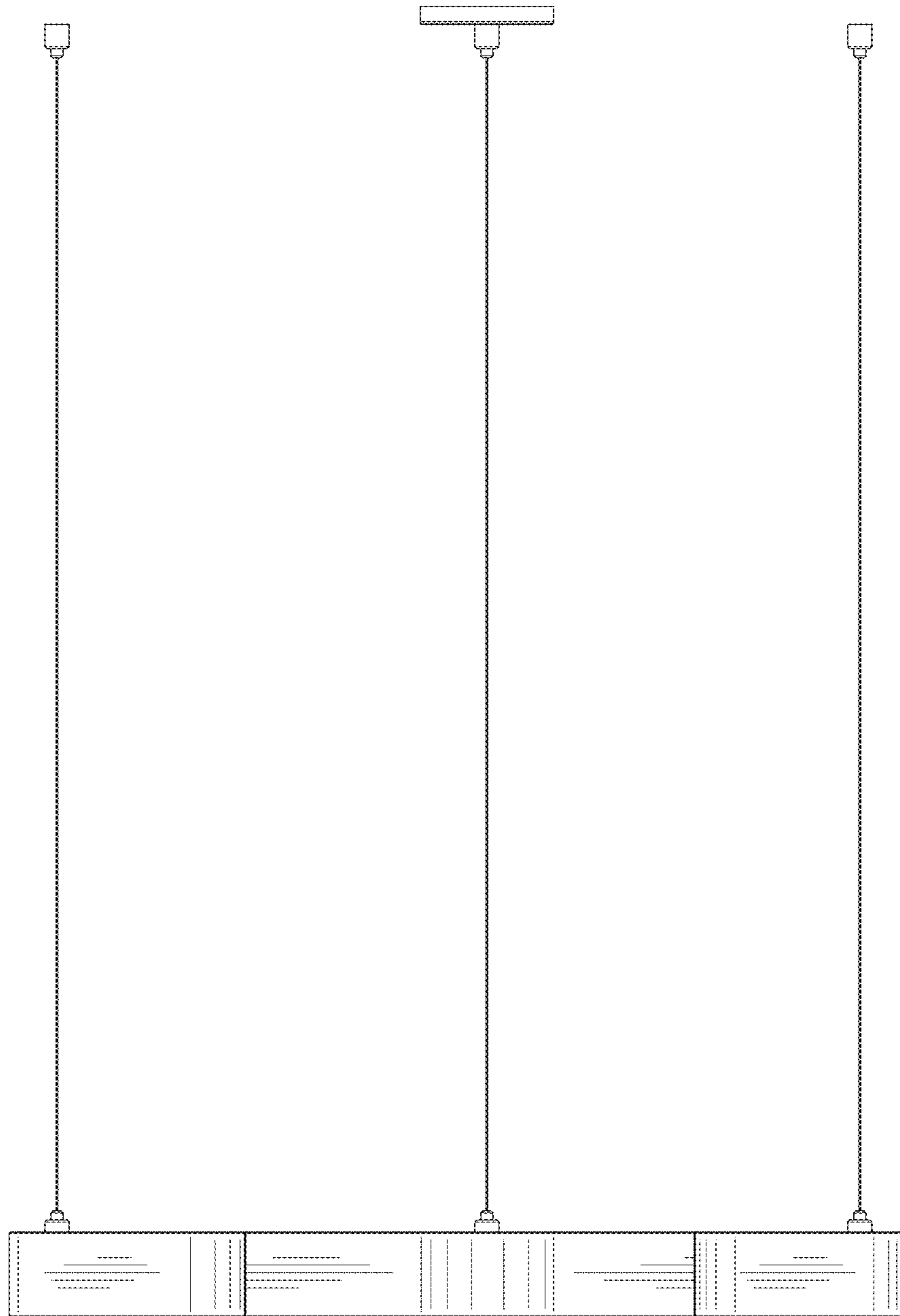


FIG. 3

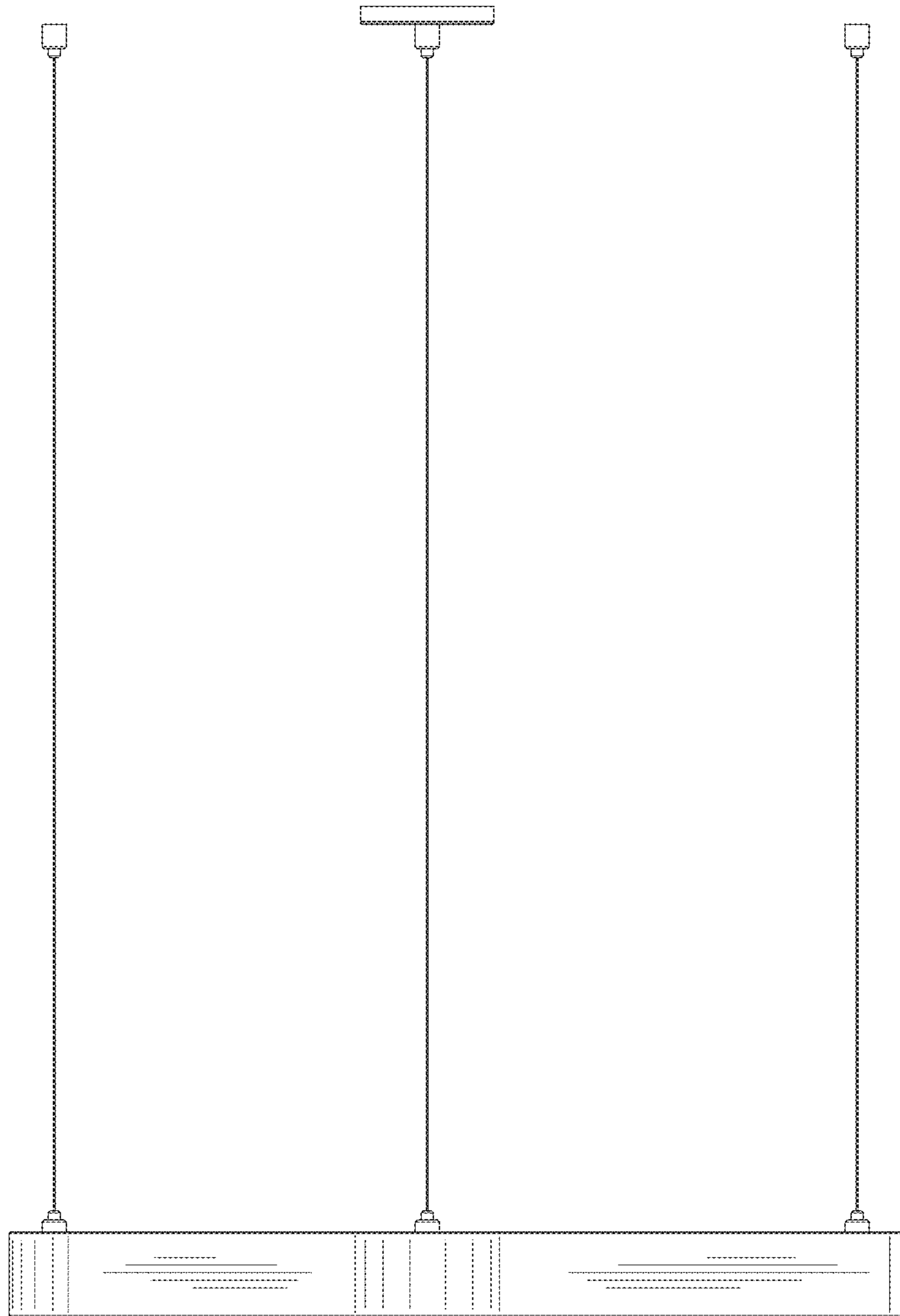


FIG. 4

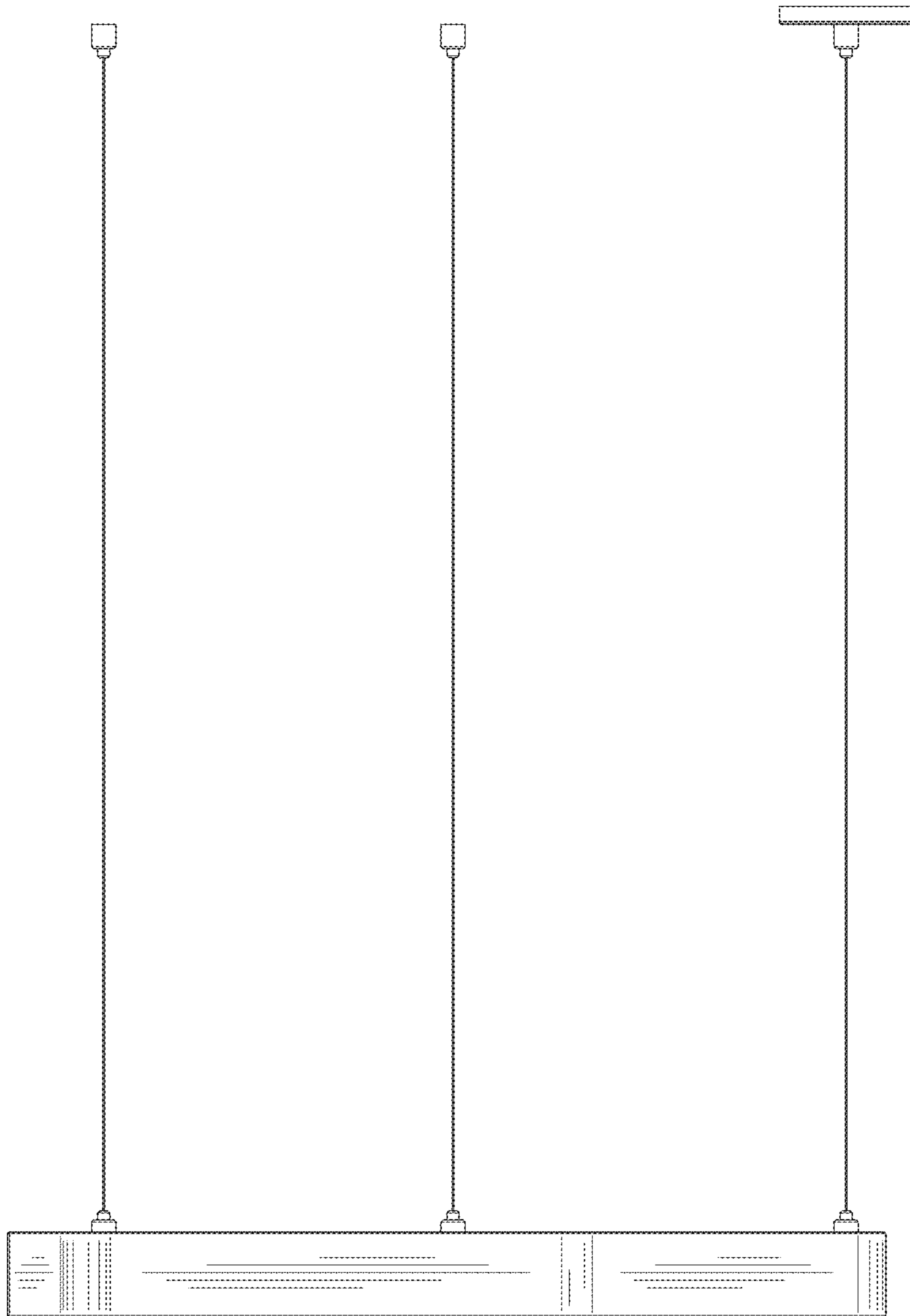


FIG. 5

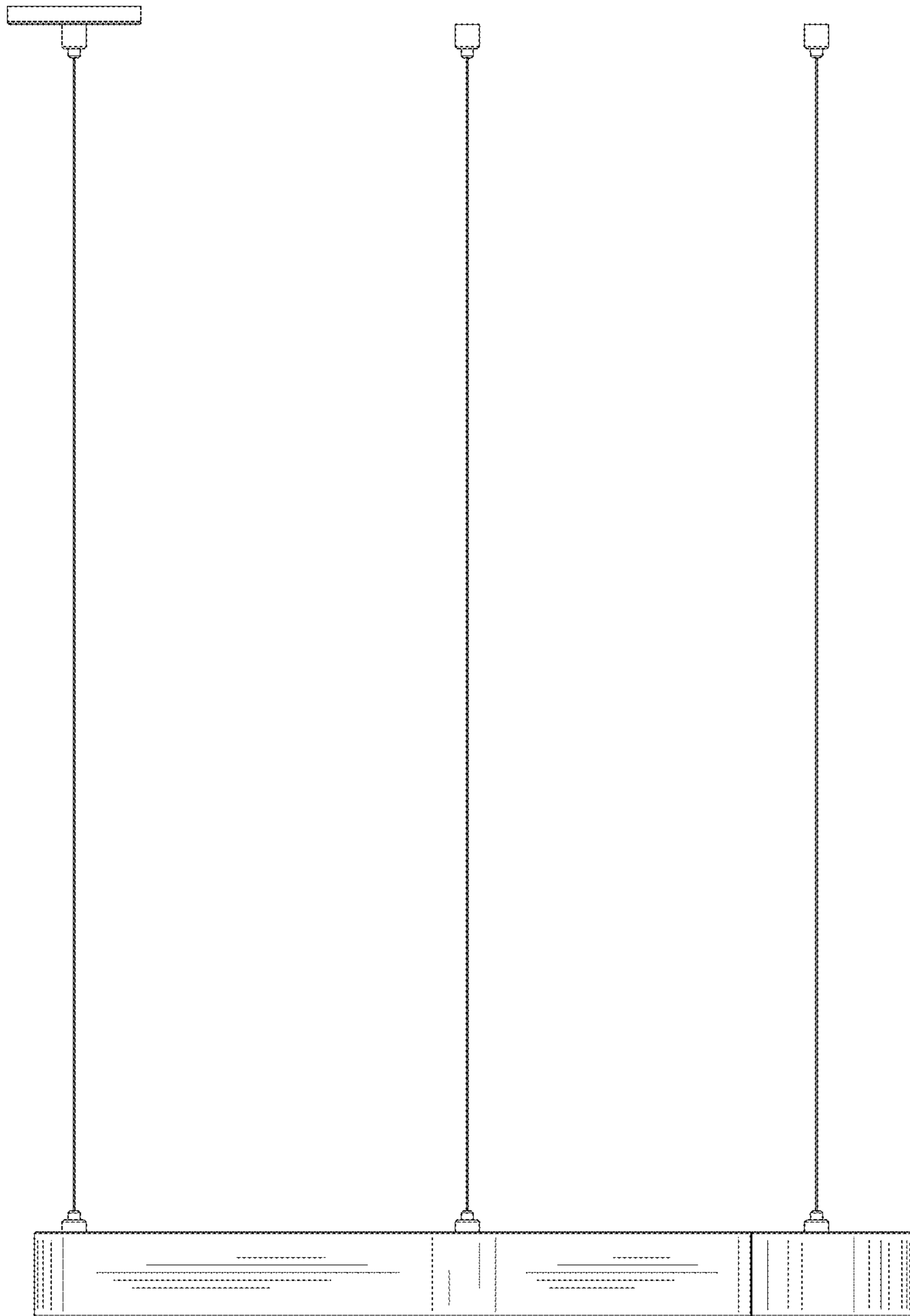


FIG. 6

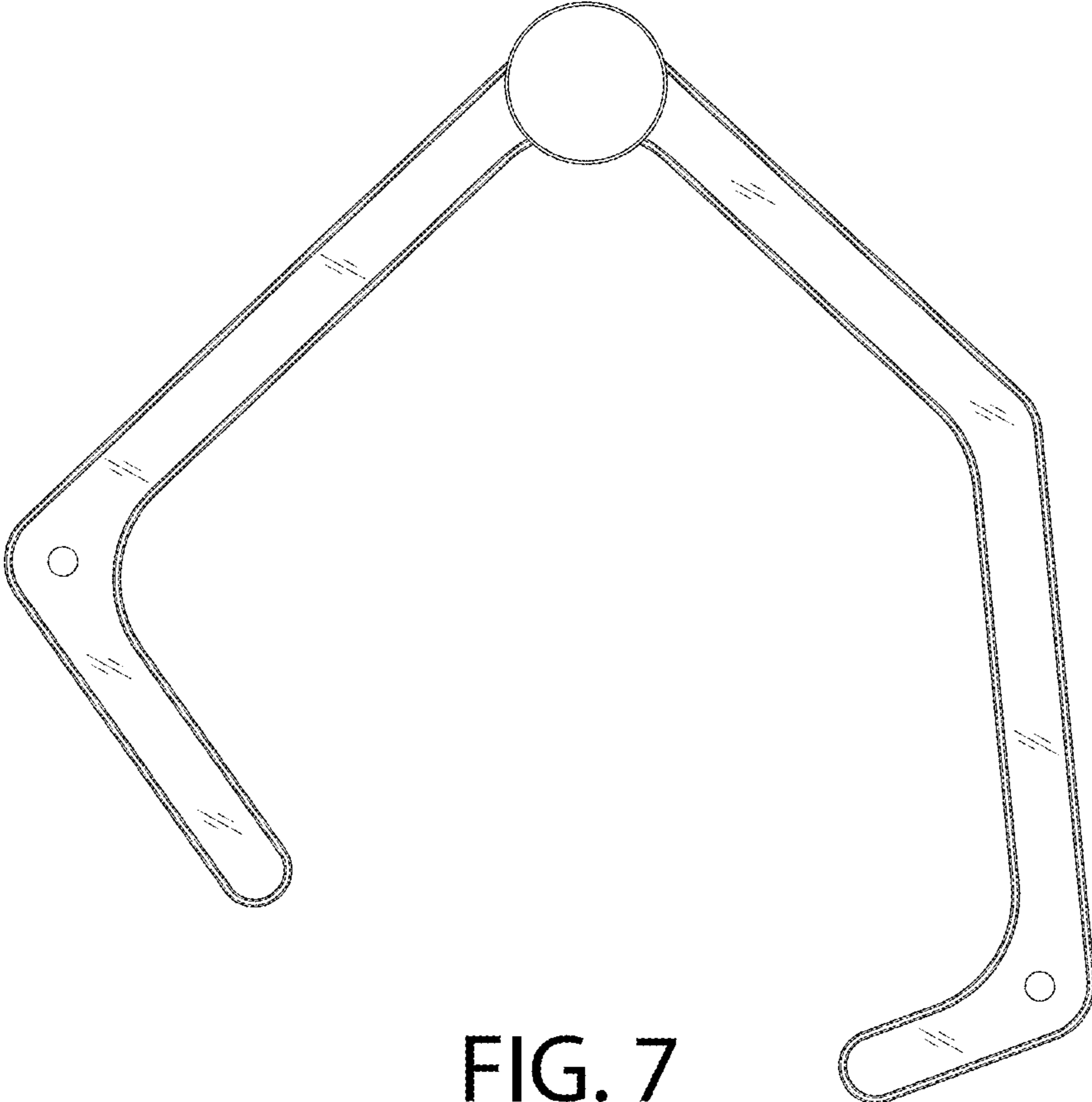


FIG. 7

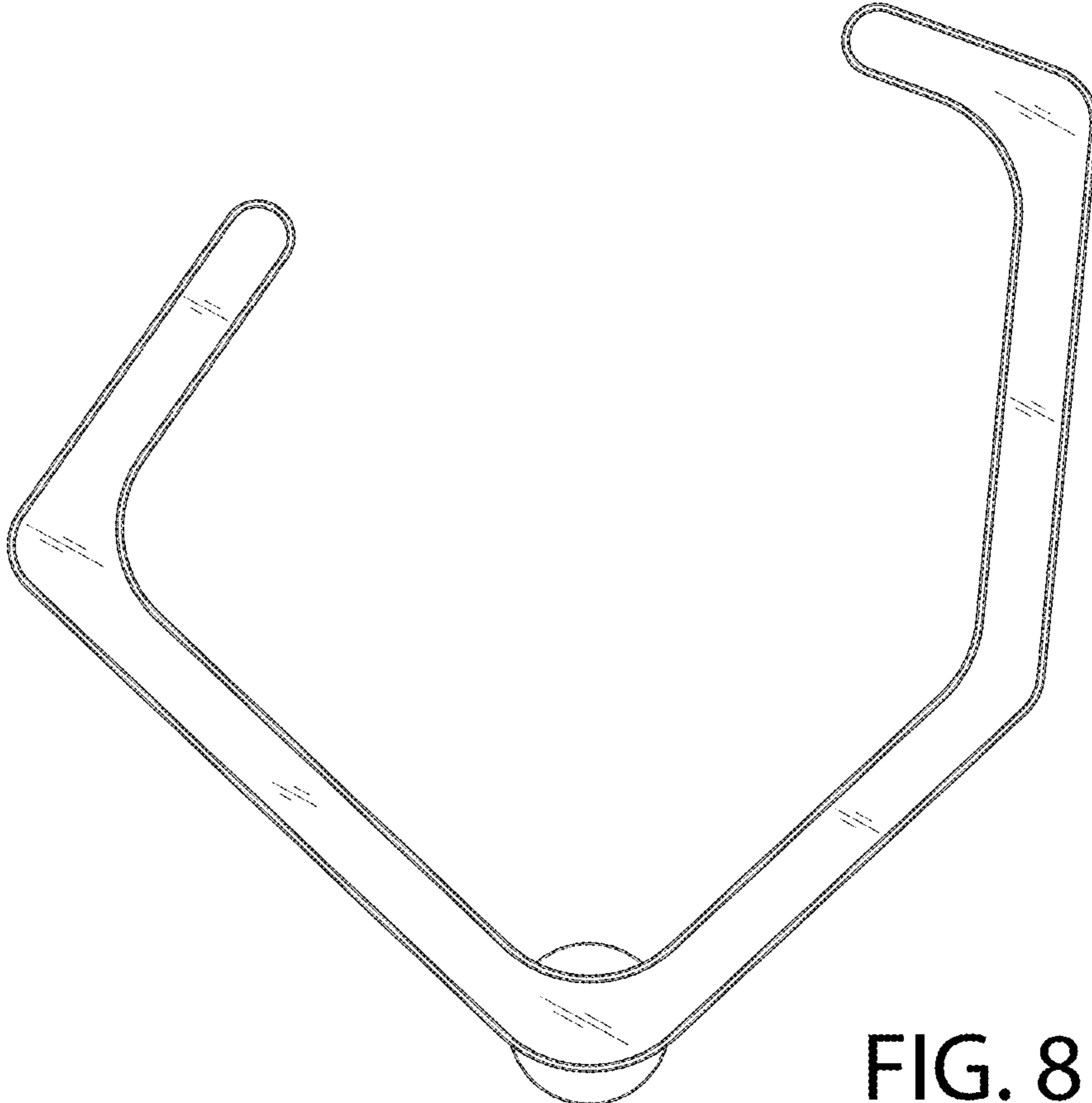


FIG. 8

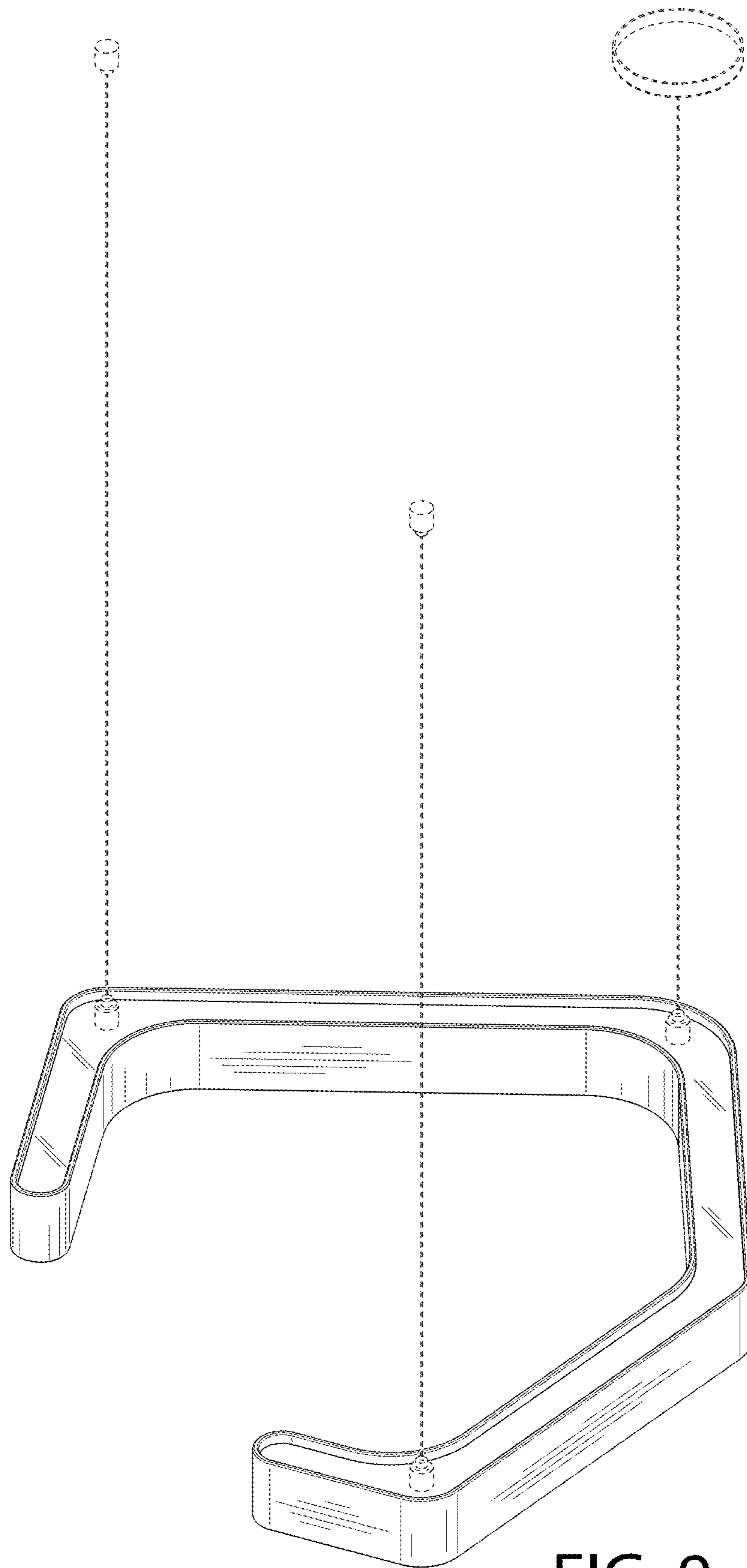


FIG. 9

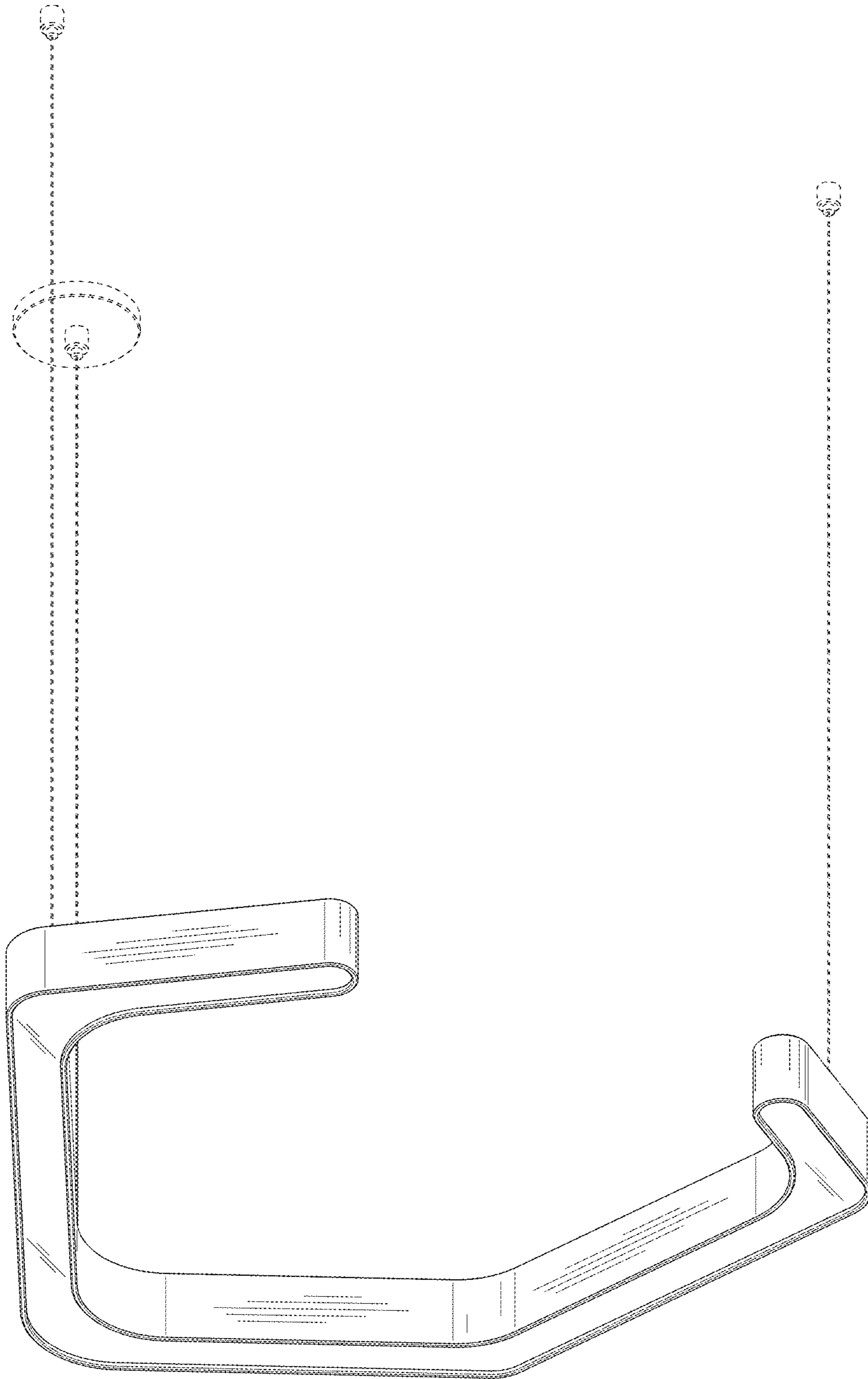


FIG. 10

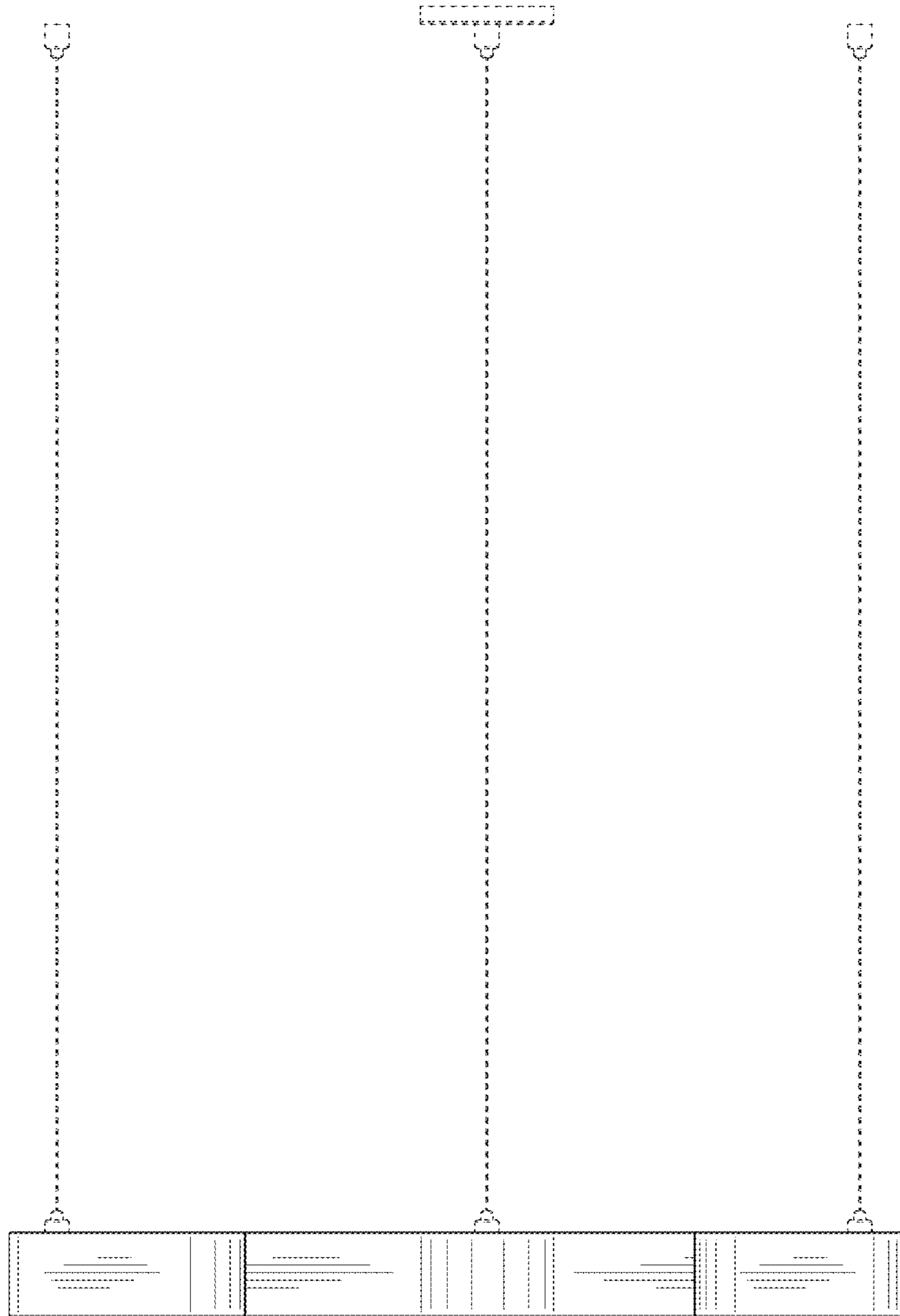


FIG. 11

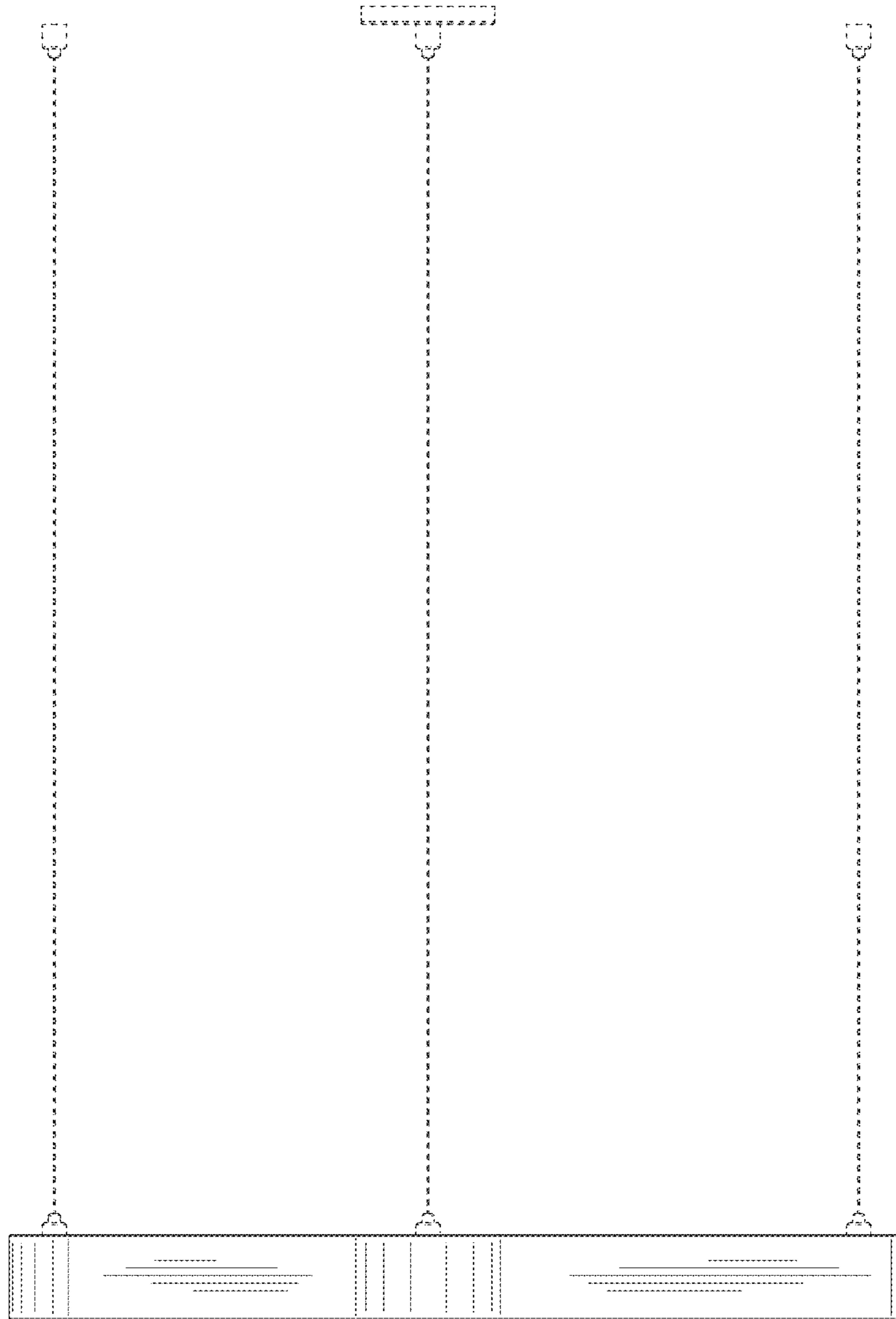


FIG. 12

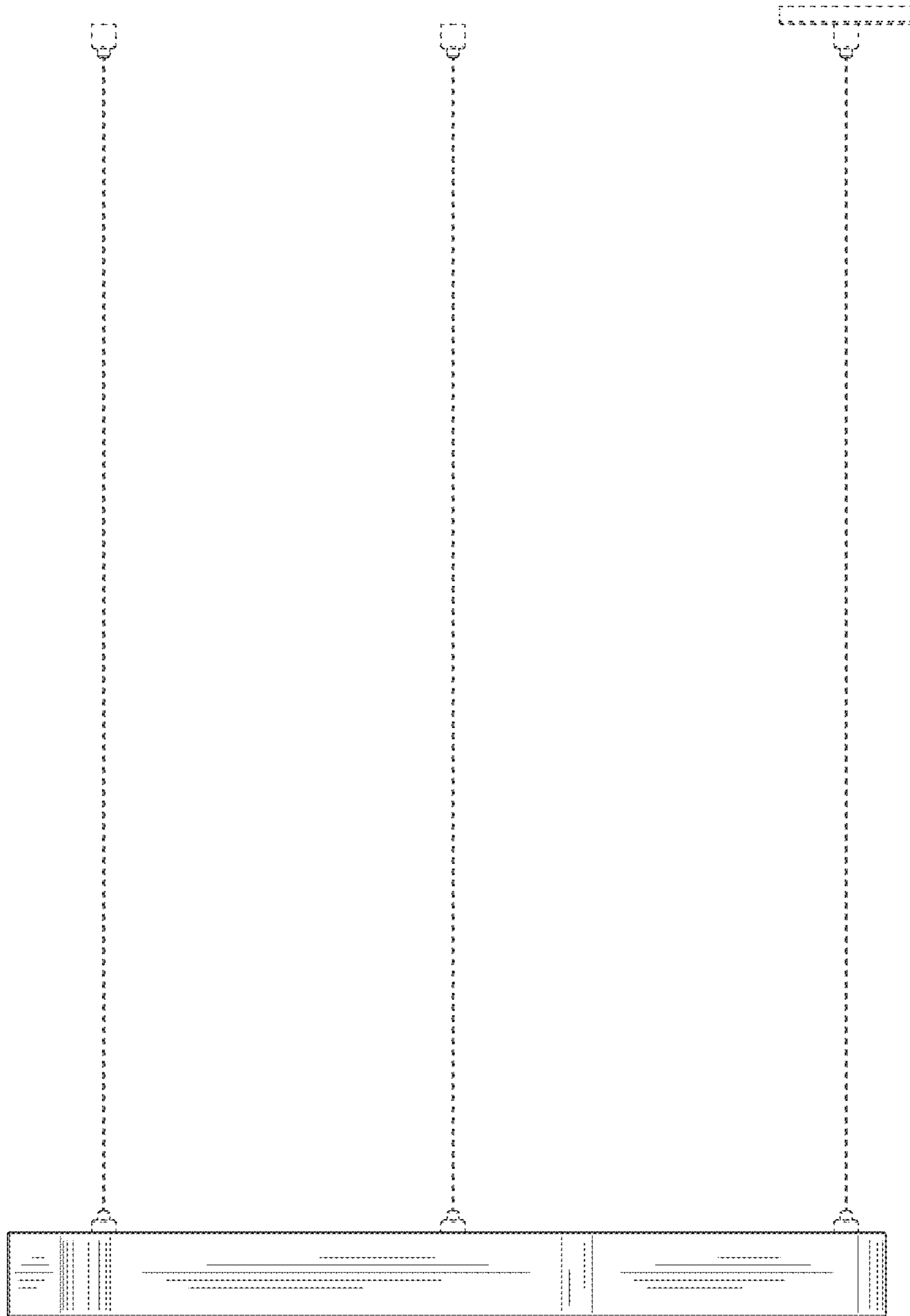


FIG. 13

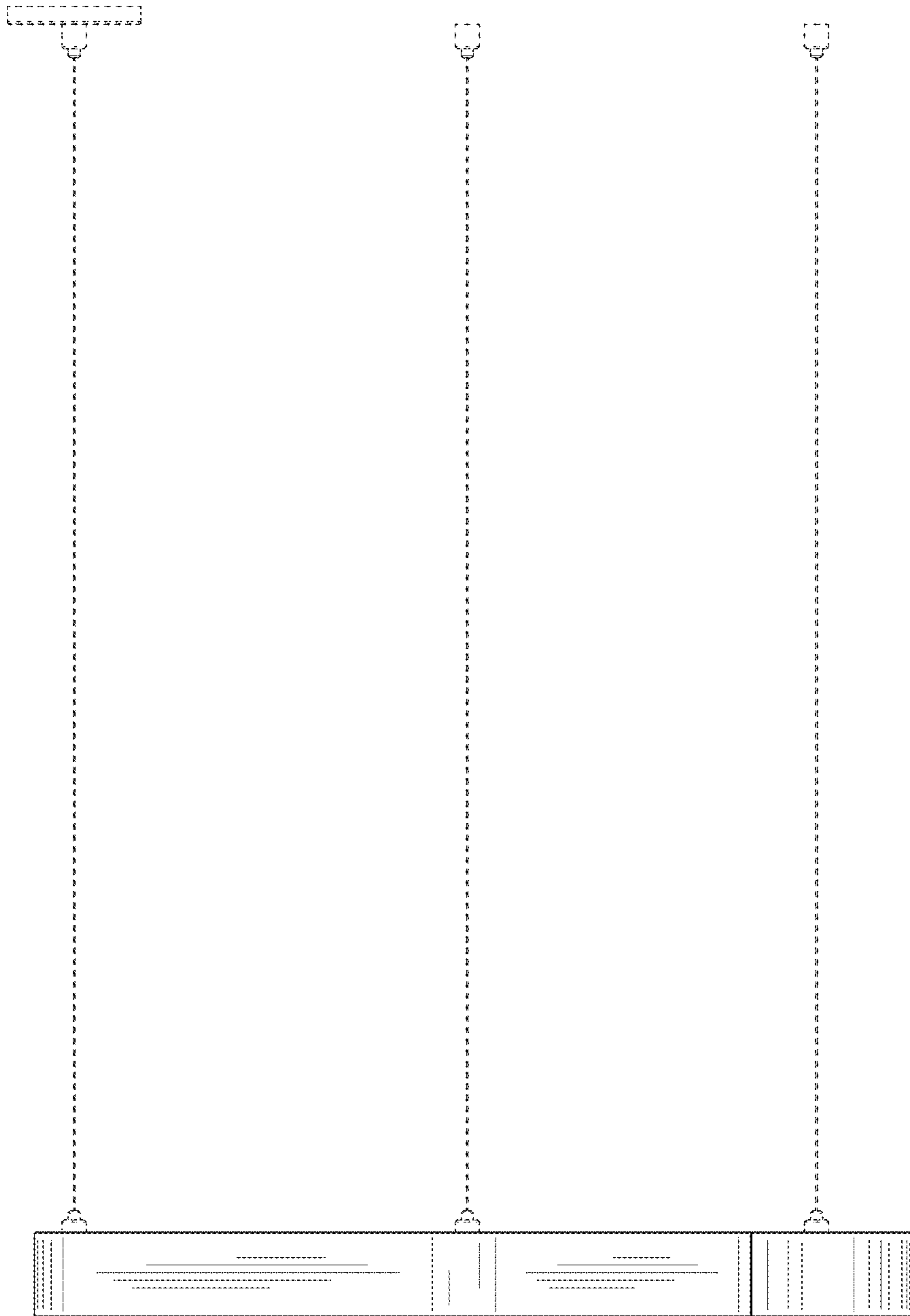


FIG. 14

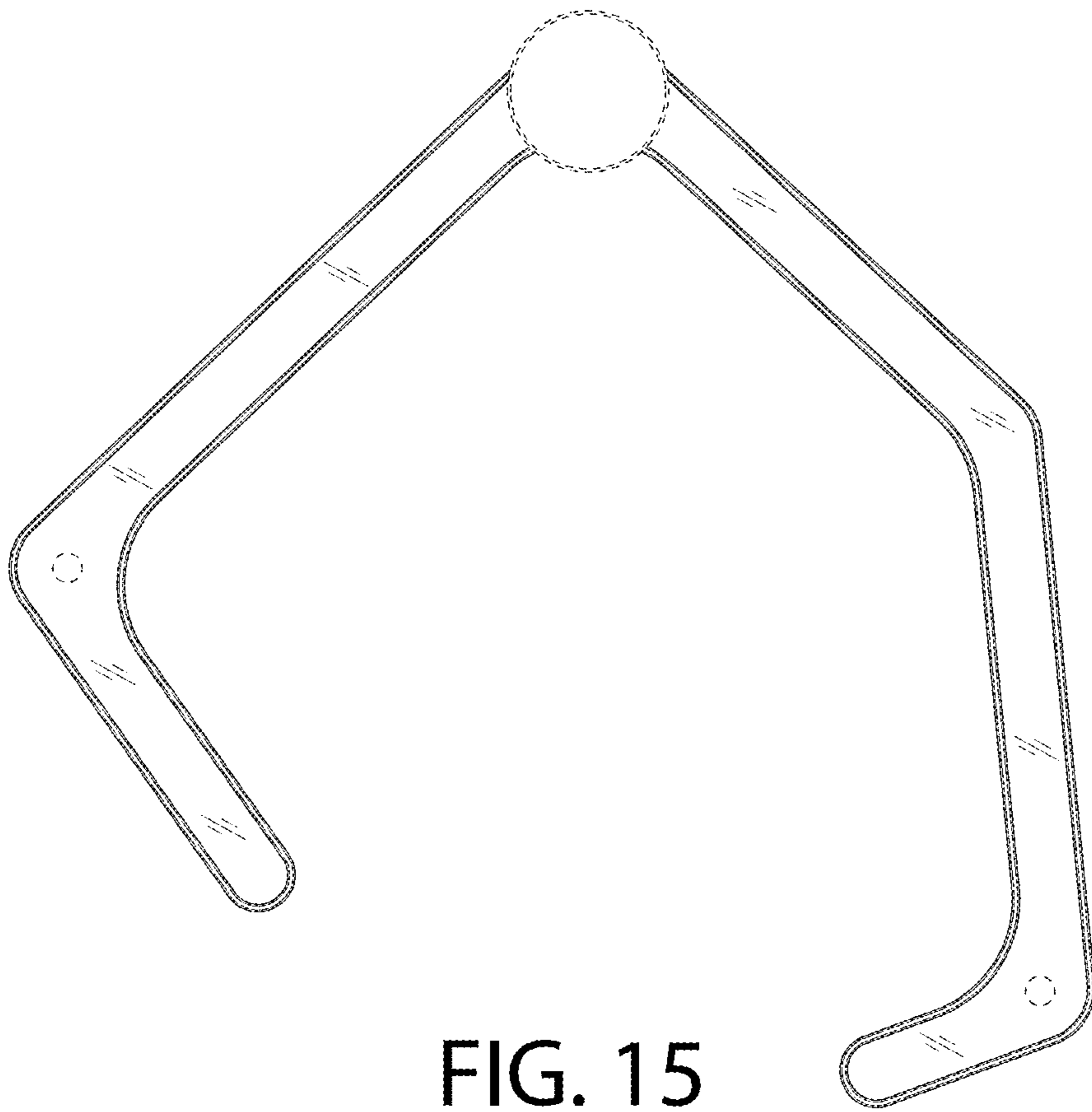


FIG. 15

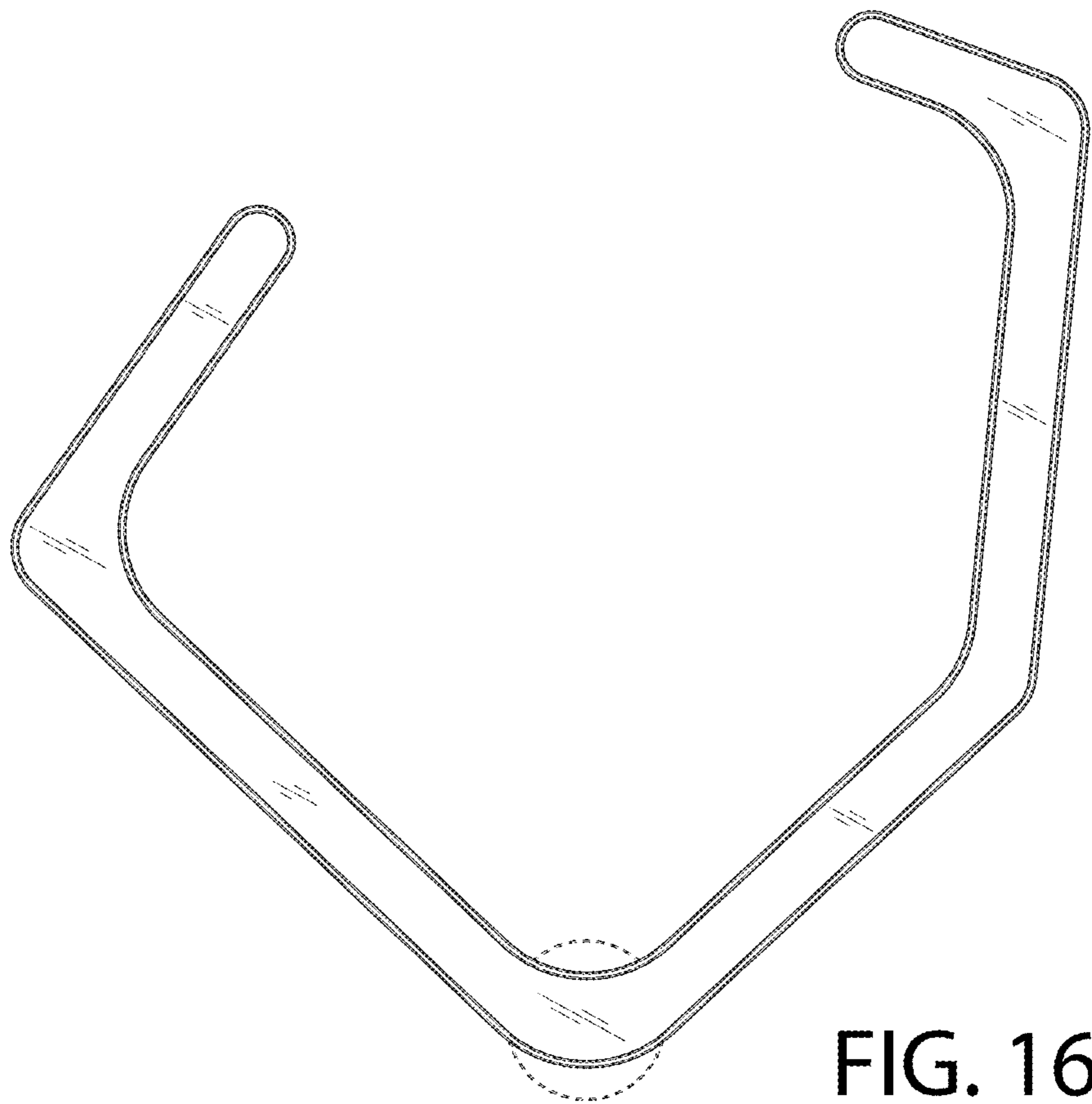


FIG. 16