



US00D896428S

(12) **United States Design Patent**  
**Pan**

(10) **Patent No.:** **US D896,428 S**

(45) **Date of Patent:** **\*\* Sep. 15, 2020**

(54) **SOLAR LIGHT**

(71) Applicant: **Ningbo NanXian Lighting Technology Co., Ltd.**, Ningbo, Zhejiang (CN)

(72) Inventor: **Yuefeng Pan**, Ninghai County (CN)

(\*\*) Term: **15 Years**

(21) Appl. No.: **29/695,159**

(22) Filed: **Jun. 17, 2019**

(51) **LOC (12) Cl.** ..... **26-03**

(52) **U.S. Cl.**  
USPC ..... **D26/85**

(58) **Field of Classification Search**  
USPC ..... D26/72, 85, 92; D10/106.6, 106.8  
CPC .... F21S 8/03; F21S 8/033; F21S 8/036; F21S 8/037; F21S 9/022; F21S 9/024; F21S 9/03; F21S 9/035; F21S 9/037; F21W 2131/107; G08B 13/193

See application file for complete search history.

(56) **References Cited**

**U.S. PATENT DOCUMENTS**

4,015,163	A *	3/1977	Iacobelli	.....	F21S 8/033 312/238
D844,213	S *	3/2019	Liu	.....	D26/85
D849,988	S *	5/2019	Li	.....	D26/85
D861,226	S *	9/2019	Liu	.....	D26/85
D866,842	S *	11/2019	Wang	.....	D26/85
D879,352	S *	3/2020	Liu	.....	D26/85
D882,855	S *	4/2020	Liu	.....	D26/85
D884,250	S *	5/2020	Rao	.....	D26/85

**OTHER PUBLICATIONS**

Solar Lights Outdoor 150 LEDs by Ekrist, sold at amazon.com Aug. 28, 2019. (Year: 2019).\*

100 LED Solar Powered 6001m PIR Motion Sensor Wall Light sold at gearbest.com as early as Nov. 12, 2019. (Year: 2019).\*

X-Power Diamond Shape Solar Light. ASIN: B07H5NSPFJ. Available at amazon.com Sep. 7, 2018. (Year: 2018).\*

\* cited by examiner

*Primary Examiner* — Clare E Heflin

(74) *Attorney, Agent, or Firm* — W&K IP

(57) **CLAIM**

The ornamental design for a solar light, as shown and described.

**DESCRIPTION**

FIG. 1 is a perspective view of a solar light showing my new design;

FIG. 2 is a front view thereof;

FIG. 3 is a rear view thereof;

FIG. 4 is a left view thereof;

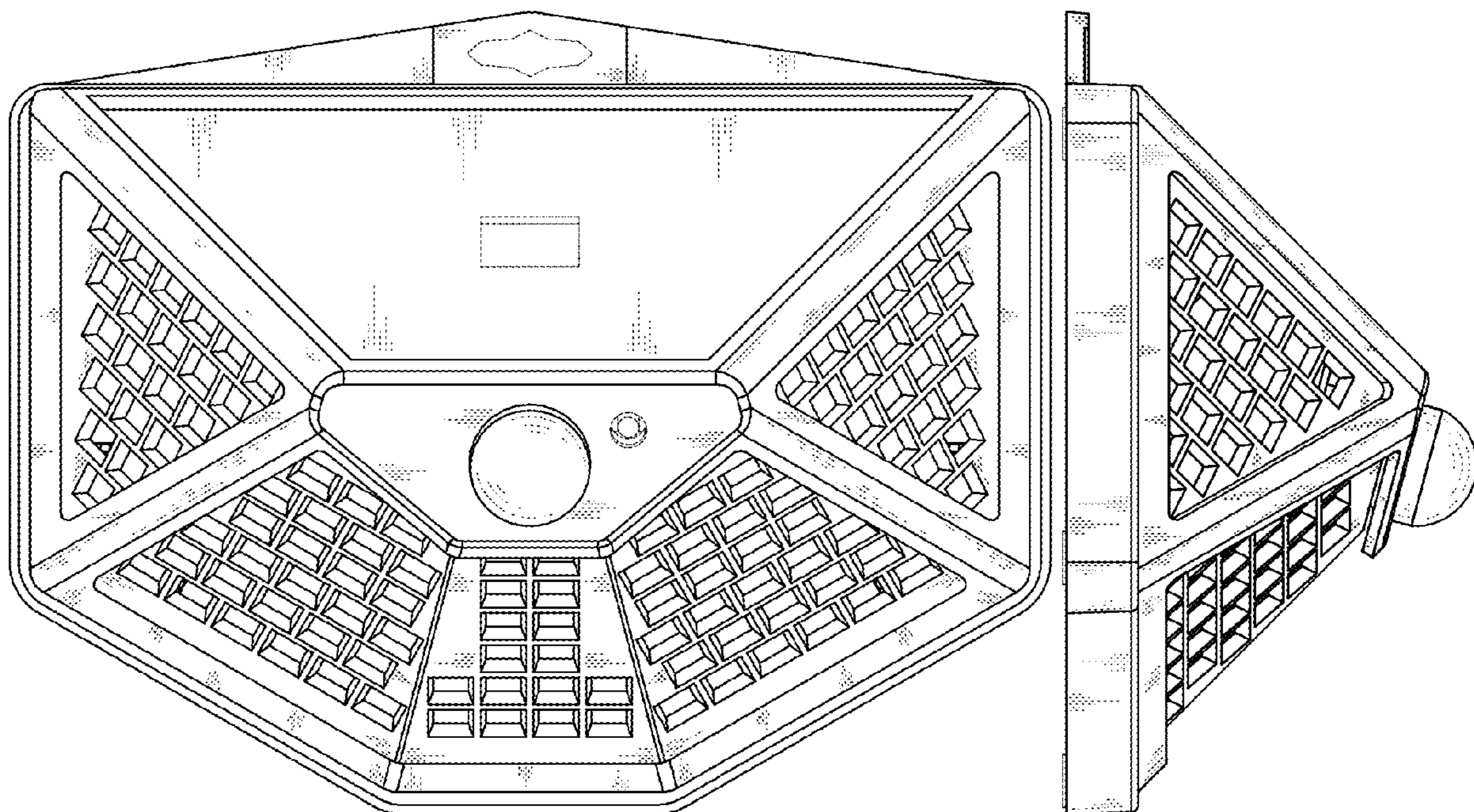
FIG. 5 is a right view thereof;

FIG. 6 is a top plan view thereof; and,

FIG. 7 is a bottom plan view thereof.

The broken lines show portions of the article which form no part of the claimed design.

**1 Claim, 7 Drawing Sheets**



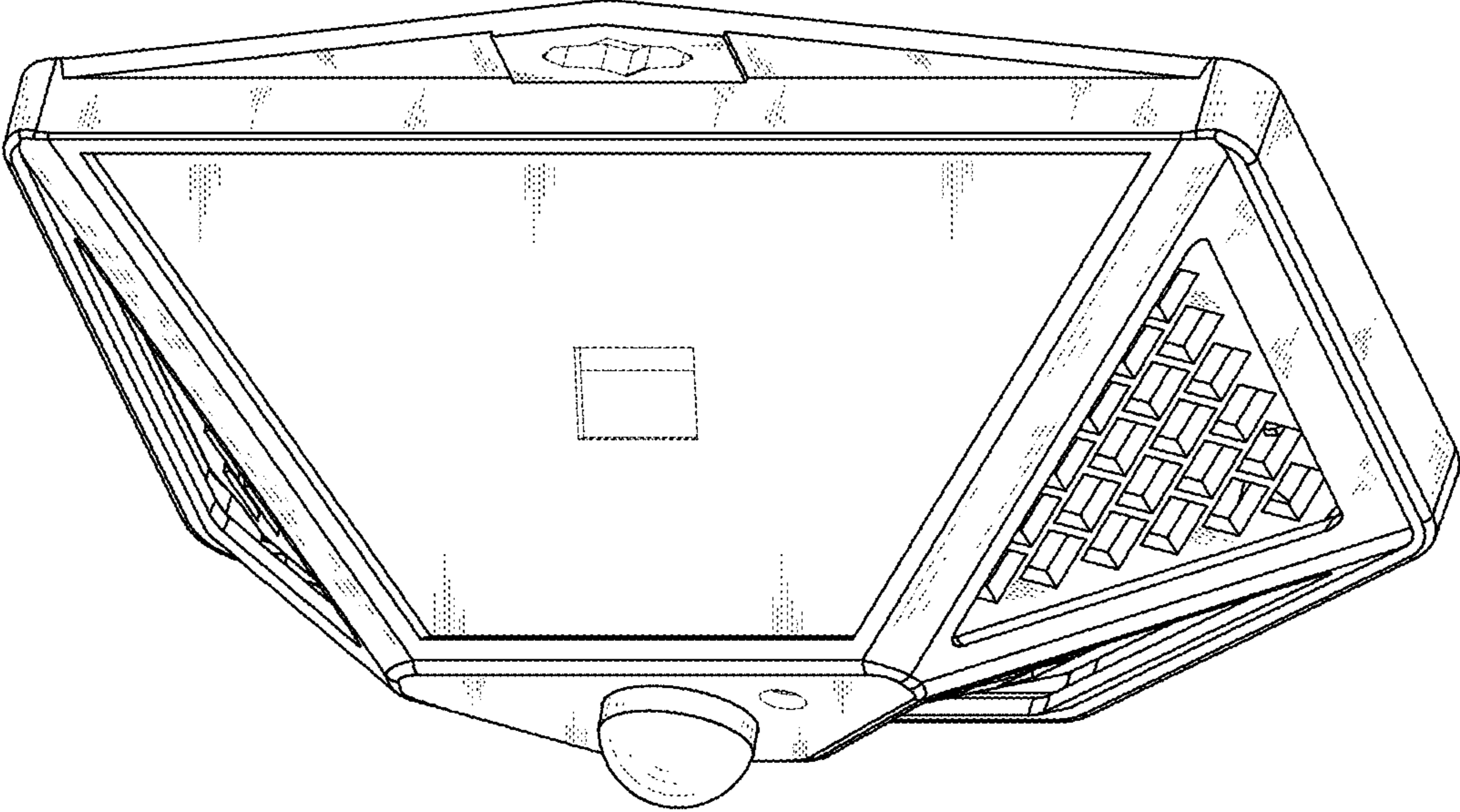


FIG.1

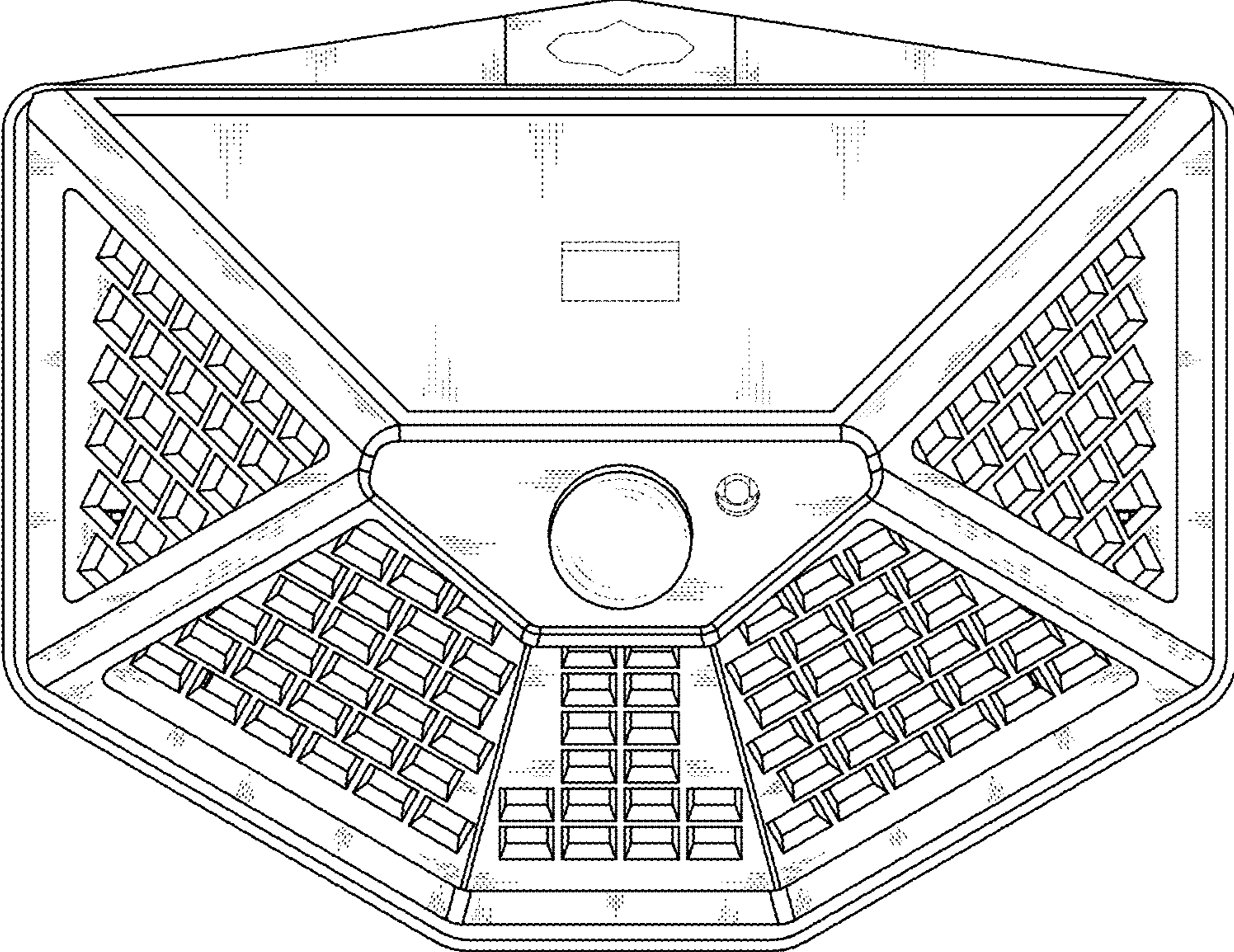


FIG.2

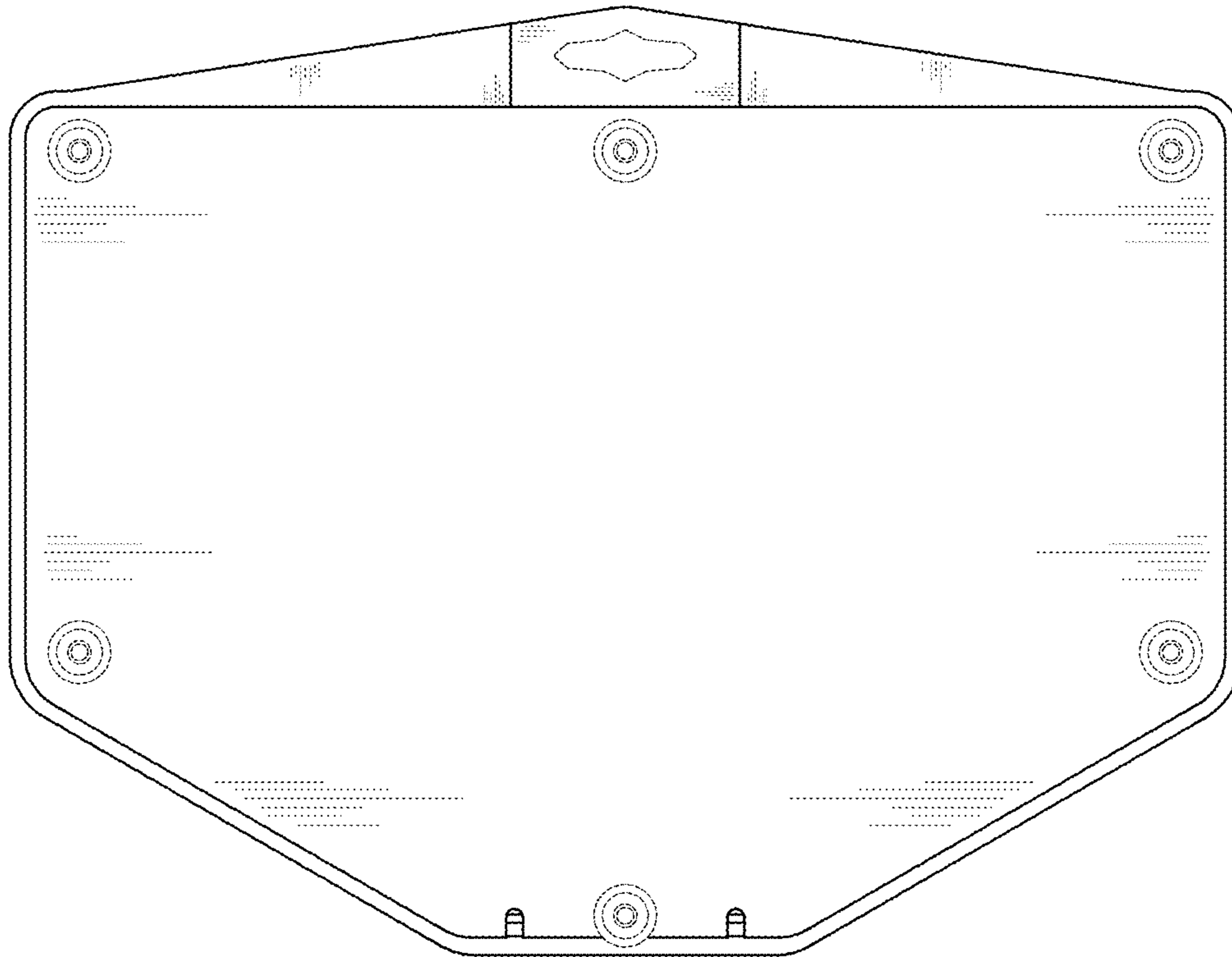


FIG.3

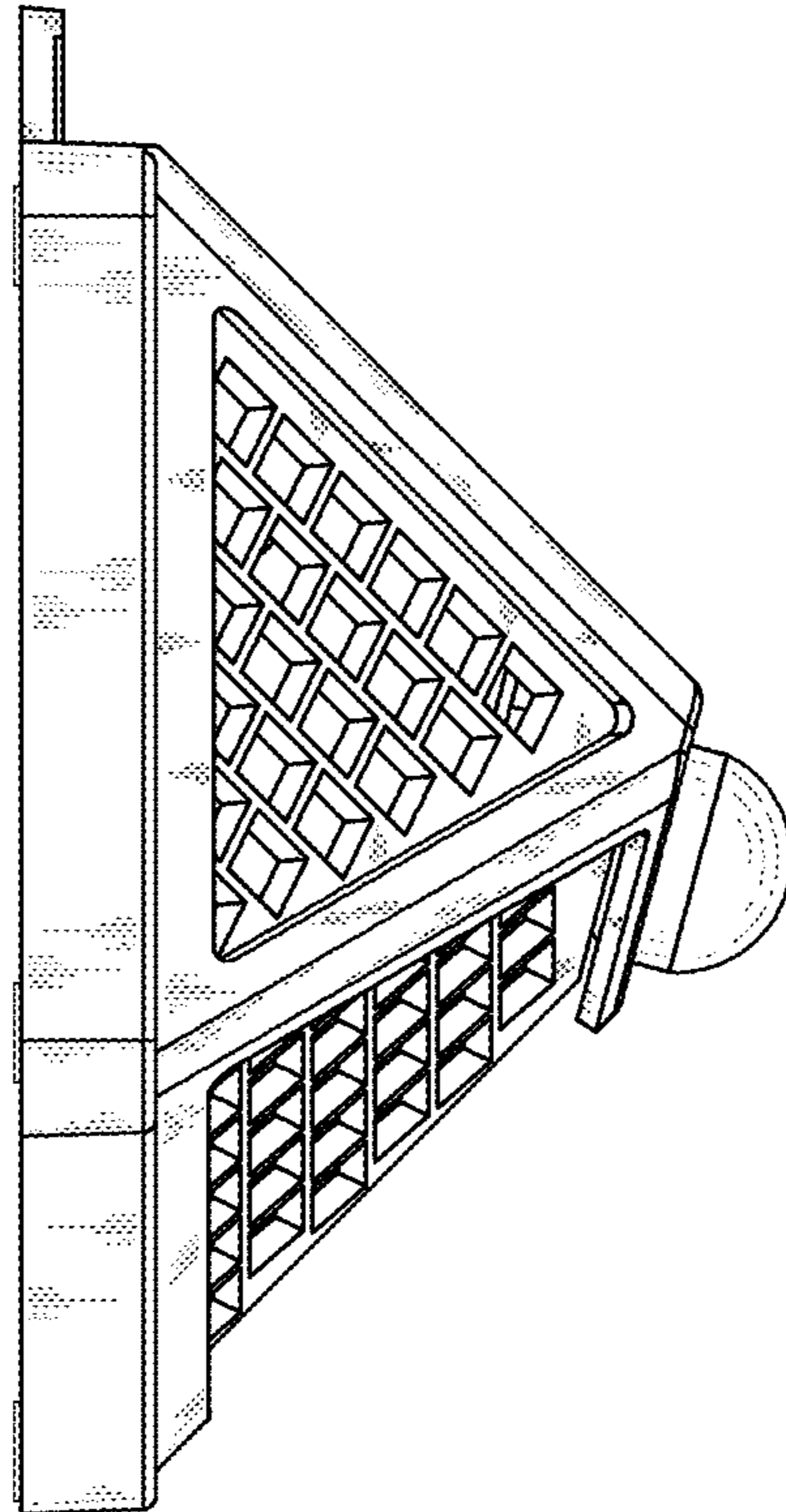


FIG.4

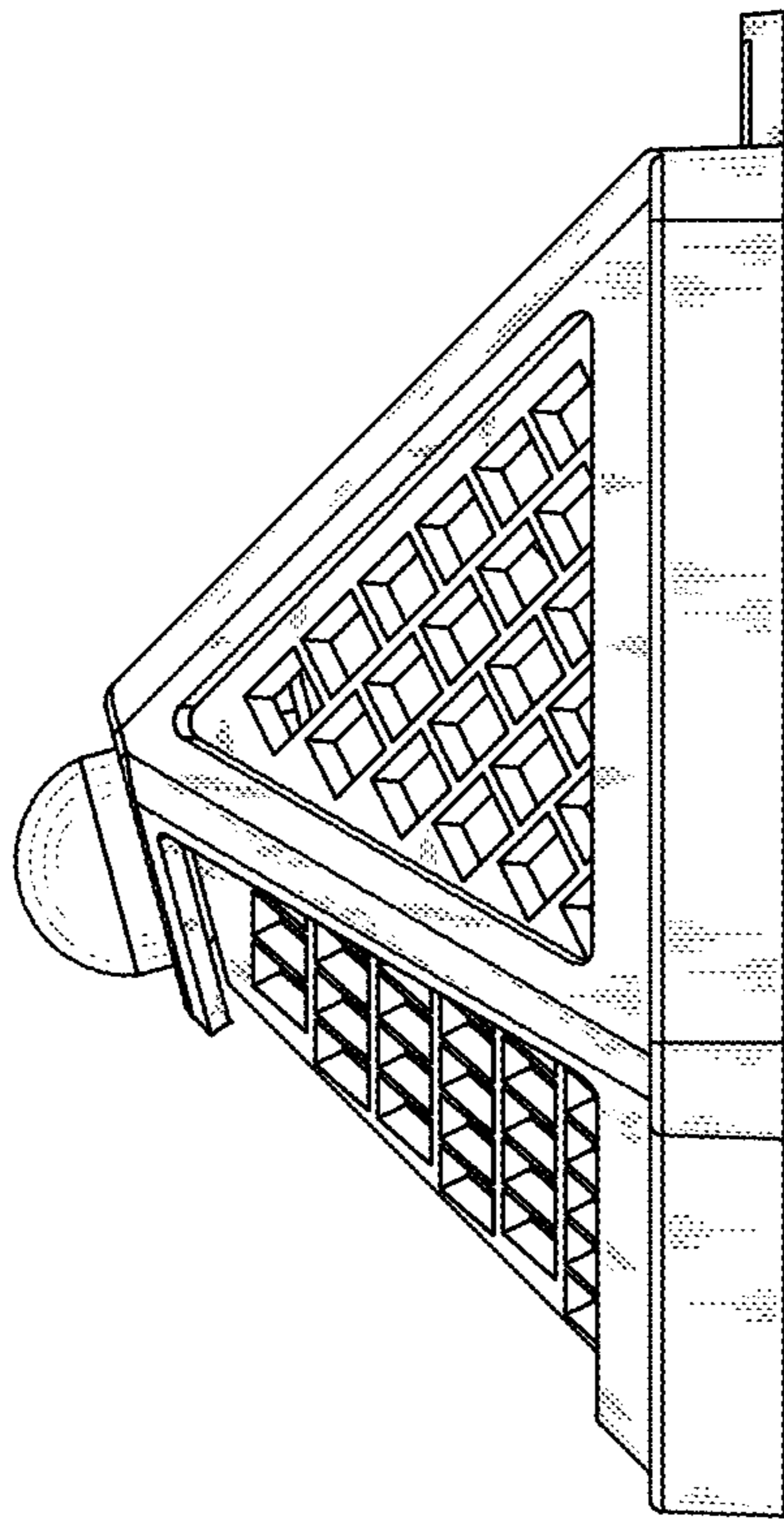


FIG.5

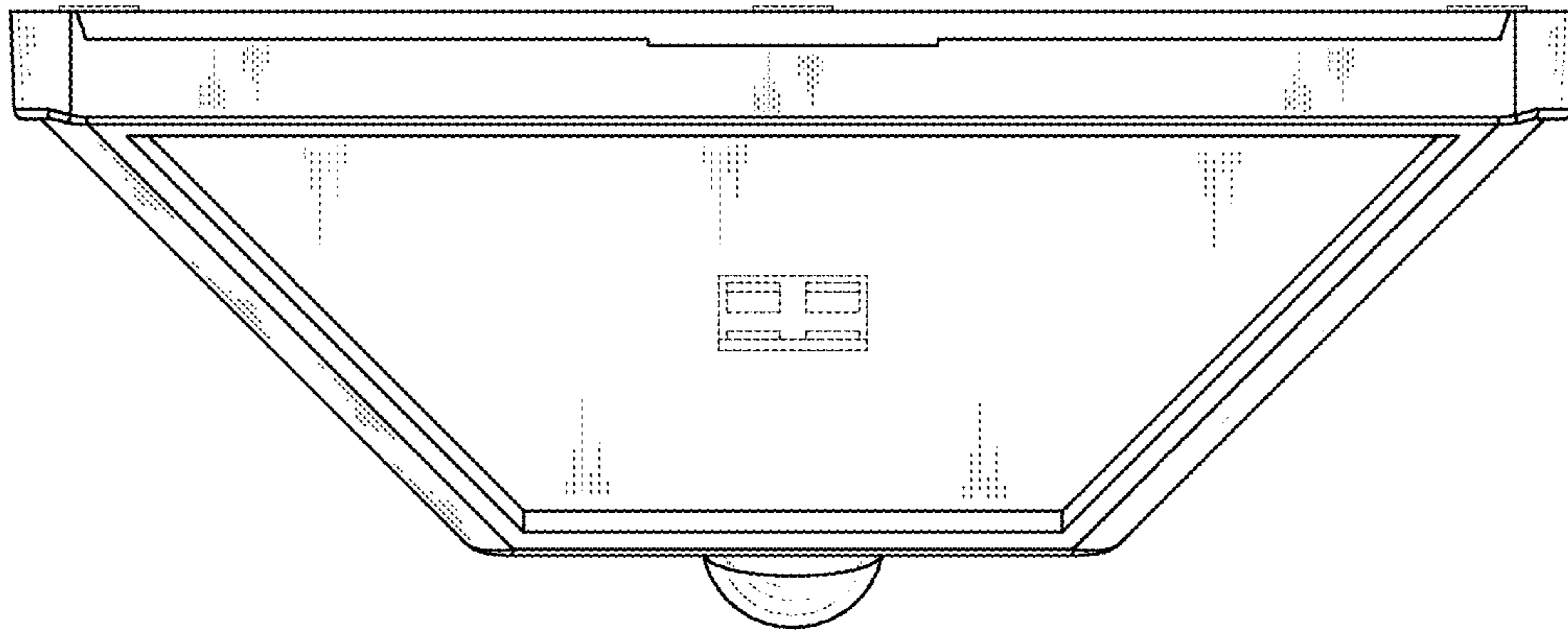


FIG.6

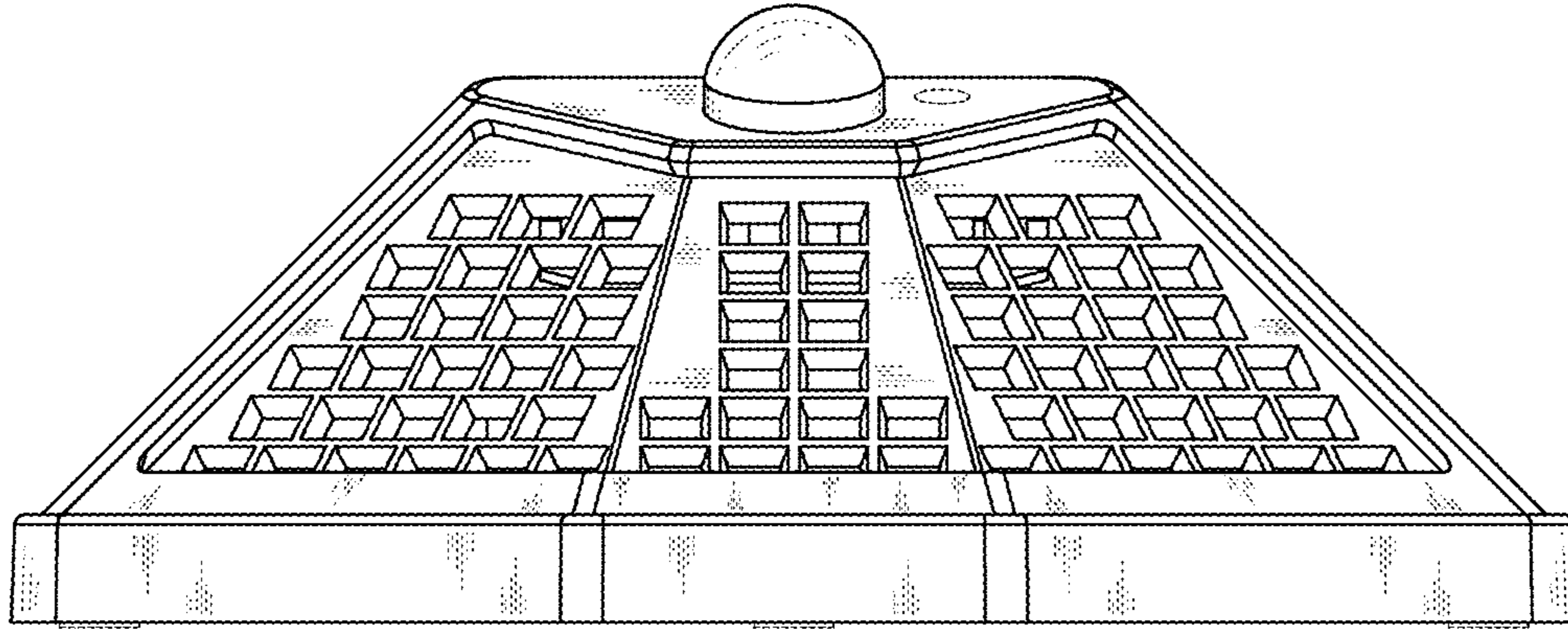


FIG.7