



US00D896427S

(12) **United States Design Patent** (10) **Patent No.:** **US D896,427 S**
Liu (45) **Date of Patent:** **** Sep. 15, 2020**

(54) **SOLAR LAMP**

(71) Applicant: **Shenzhen Ennoplus Technology Co., Ltd.**, Shenzhen (CN)

(72) Inventor: **Hangyu Liu**, Shenzhen (CN)

(73) Assignee: **Shenzhen Ennoplus Technology Co., Ltd.**, Shenzhen (CN)

(**) Term: **15 Years**

(21) Appl. No.: **29/668,496**

(22) Filed: **Oct. 31, 2018**

(30) **Foreign Application Priority Data**

Jul. 26, 2018 (CN) 2018 3 0407708

(51) **LOC (12) Cl.** **26-03**

(52) **U.S. Cl.**
USPC **D26/85**

(58) **Field of Classification Search**

USPC D26/72, 85, 92; D10/106.6, 106.8
CPC F21S 8/03; F21S 8/033; F21S 8/036; F21S 8/037; F21S 9/022; F21S 9/024; F21S 9/03; F21S 9/035; F21S 9/037; F21W 2131/107; G08B 13/193

See application file for complete search history.

(56) **References Cited**

U.S. PATENT DOCUMENTS

2,133,099 A * 10/1938 Johnson F21S 8/033 362/432
D114,805 S * 5/1939 Brooks D26/85
D197,530 S * 2/1964 Jaffe, Jr. et al. D26/85
3,573,452 A * 4/1971 Kenyon F21V 29/83 362/294
D248,184 S * 6/1978 Roberts D26/85

D286,383 S * 10/1986 Kotlicki D10/106.6
D545,478 S * 6/2007 Morgan D26/85
D589,196 S * 3/2009 Stone D26/72
D714,990 S * 10/2014 Yu D26/85
D764,093 S * 8/2016 Sabernig D26/85
D773,100 S * 11/2016 Guercio D26/85
2009/0034242 A1 * 2/2009 Engel G09F 13/18 362/147
2018/0320842 A1 * 11/2018 Duckworth F21V 21/30

OTHER PUBLICATIONS

Solar Light, 6500K Color Temperature, 35 Im, 5.5W Fixture Wattage, 1.2VAC Item # 38NH74 / Mfr. Model # L954 from grainger.com visited Jun. 30, 200. (Year: 2020).*

* cited by examiner

Primary Examiner — Clare E Heffin

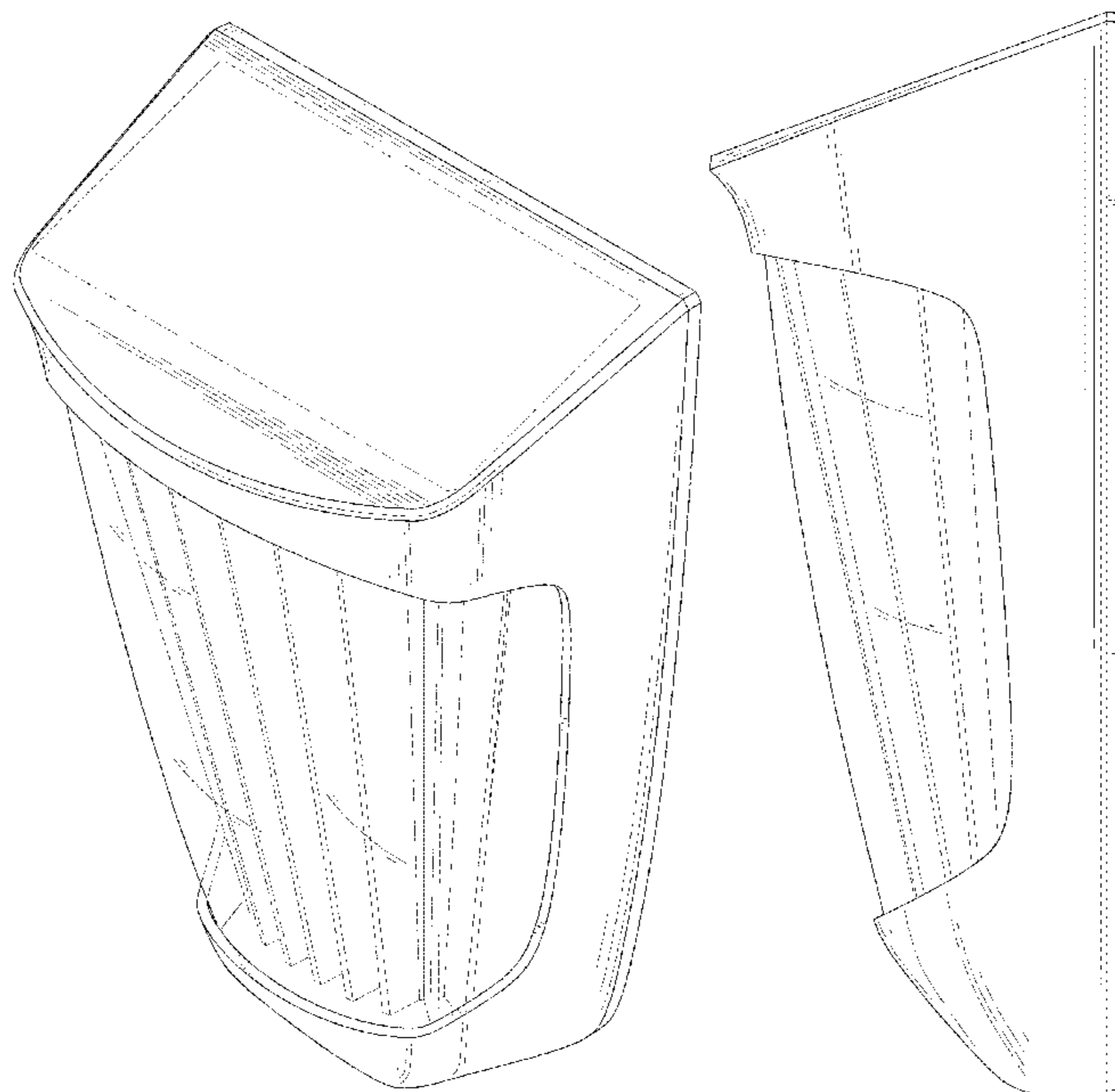
(57) **CLAIM**

The ornamental design for a solar lamp, as shown and as described.

DESCRIPTION

FIG. 1 is a first perspective view of a solar lamp showing my new design;
FIG. 2 is a second perspective view thereof;
FIG. 3 is a front elevation view thereof;
FIG. 4 is a rear elevation view thereof;
FIG. 5 is a left side elevation view thereof;
FIG. 6 is a right side elevation view thereof;
FIG. 7 is a top plan view thereof; and,
FIG. 8 is a bottom plan view thereof.
The broken lines in FIG. 1 through FIG. 8 illustrate portions of the solar lamp which form no part of the claimed design.

1 Claim, 8 Drawing Sheets



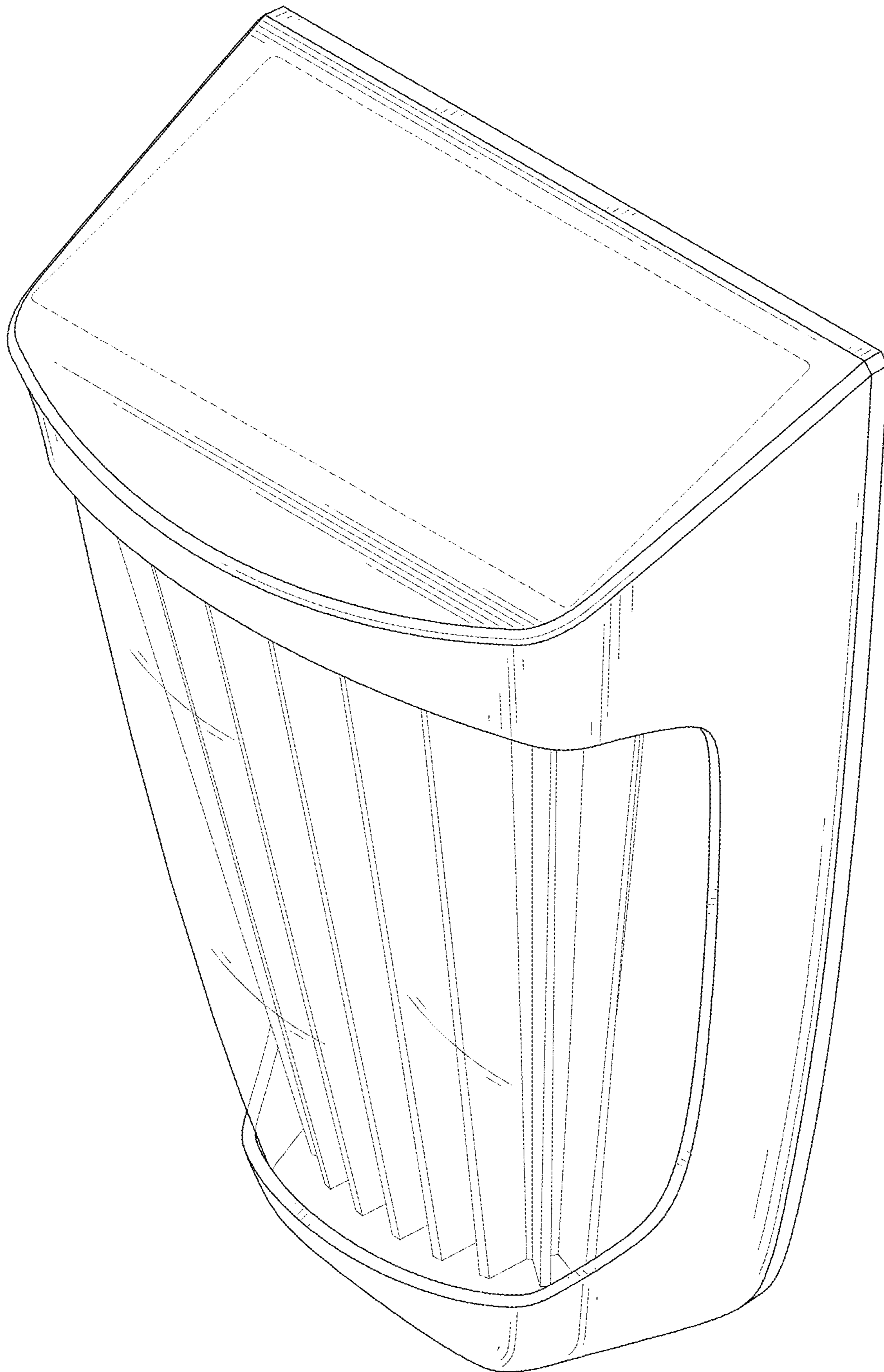


FIG. 1

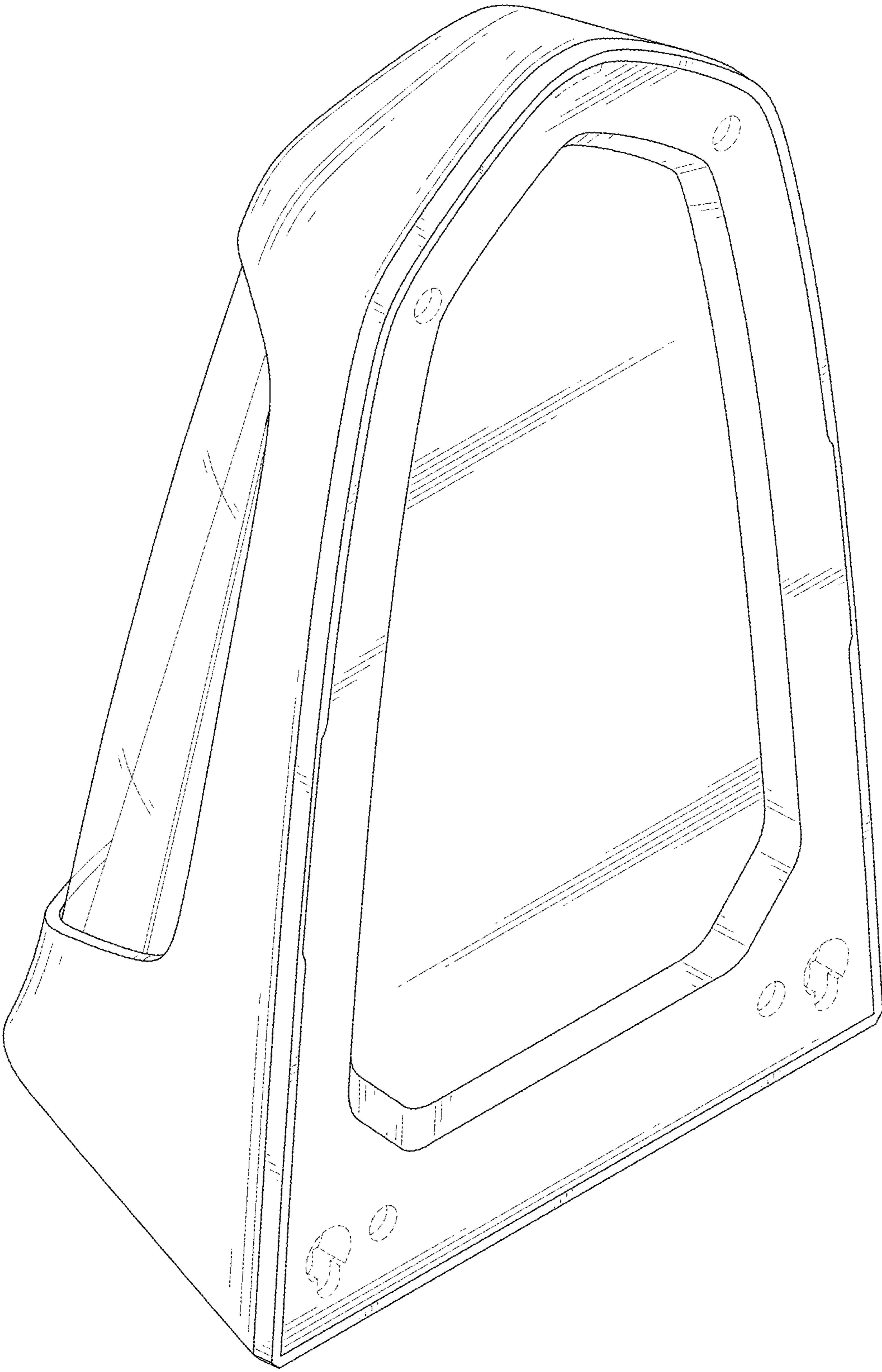


FIG. 2

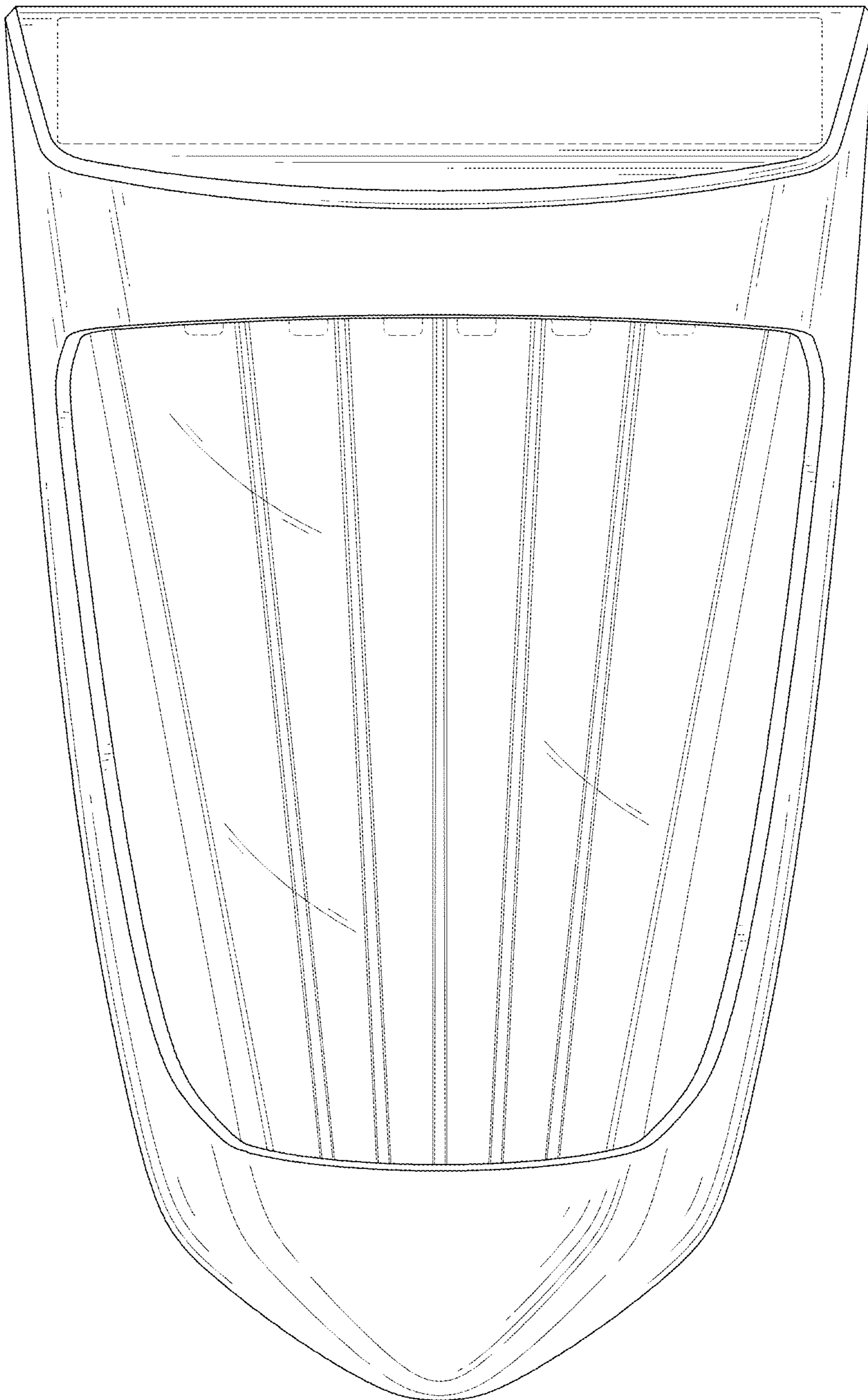


FIG. 3

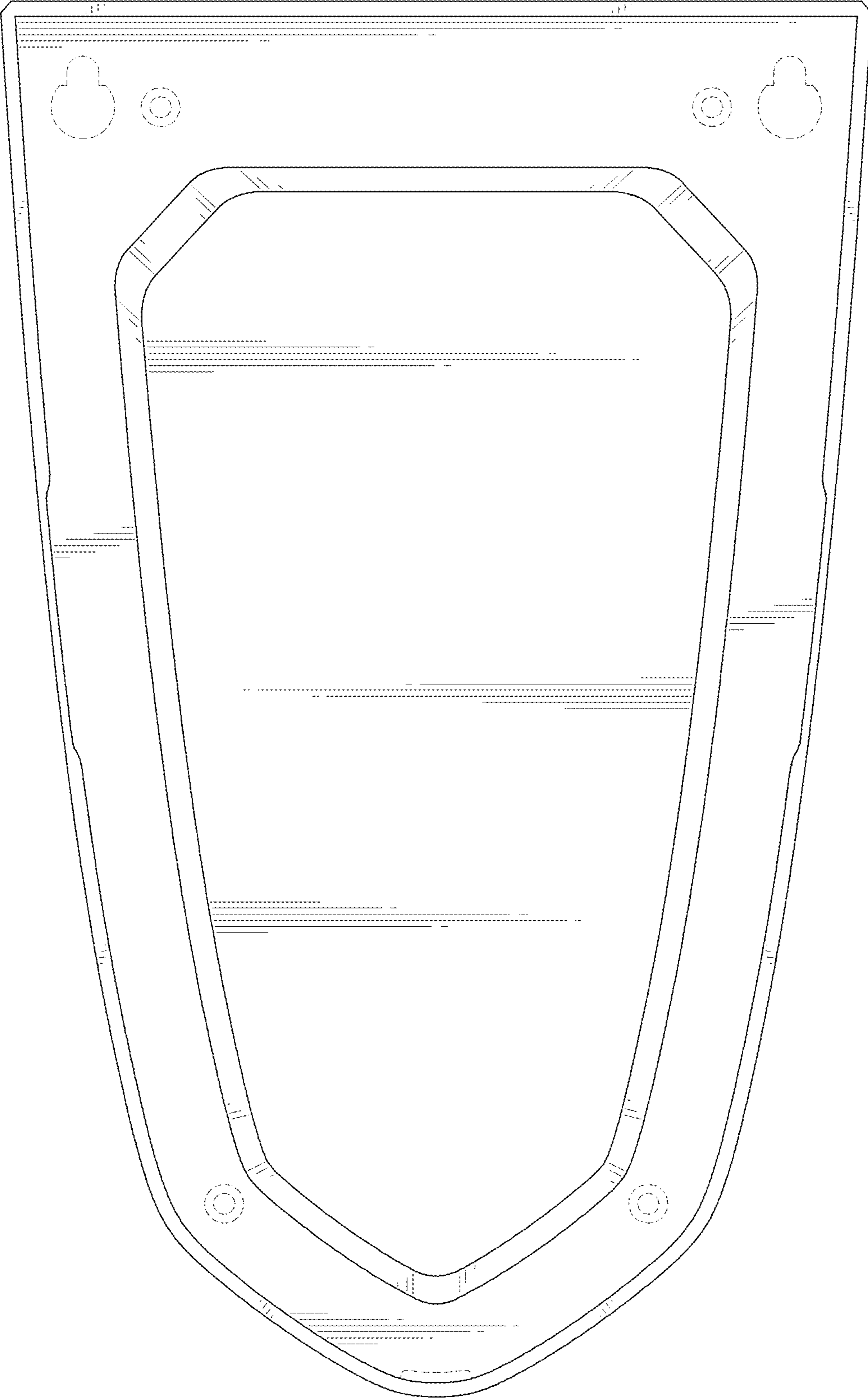


FIG. 4

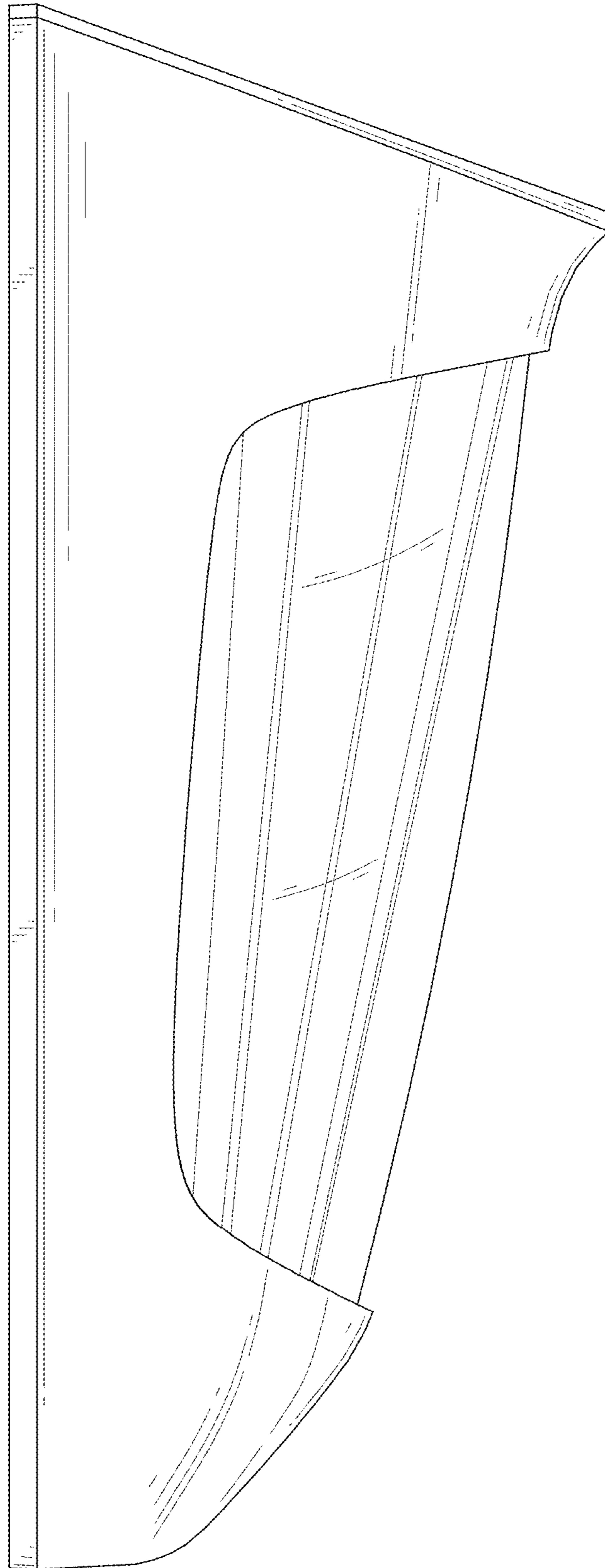


FIG. 5

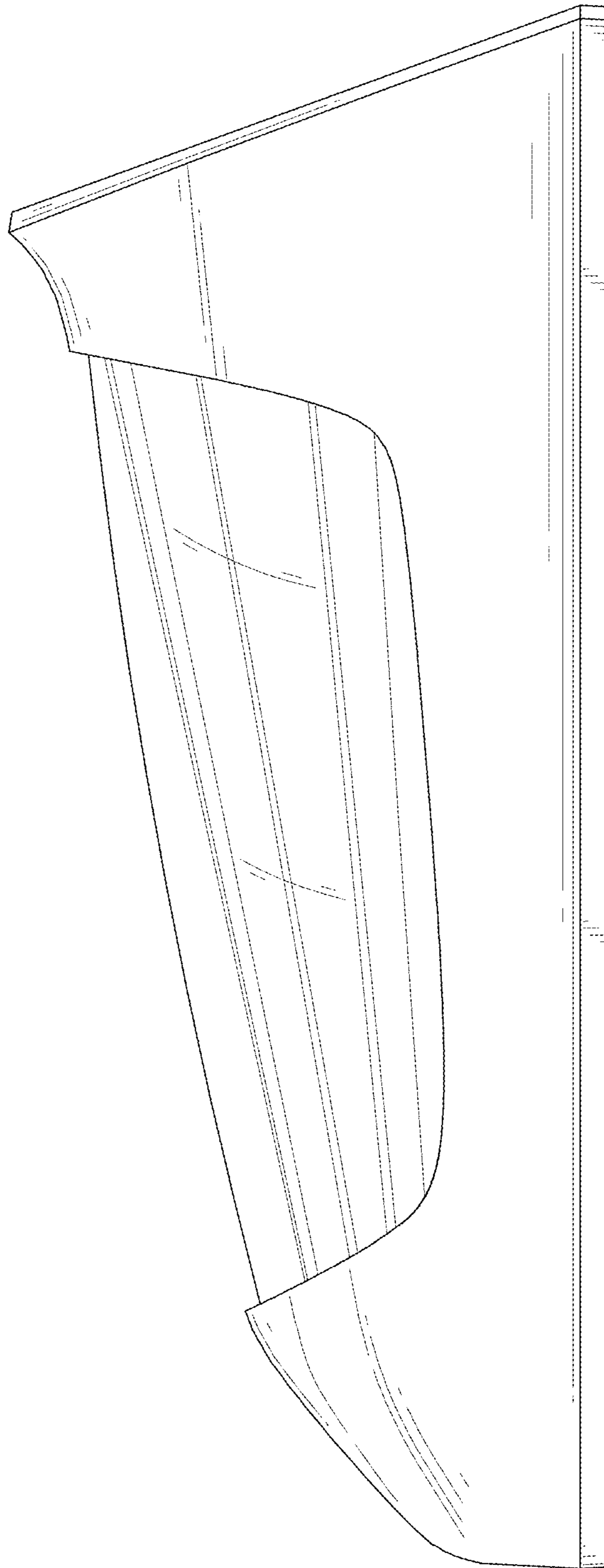


FIG. 6

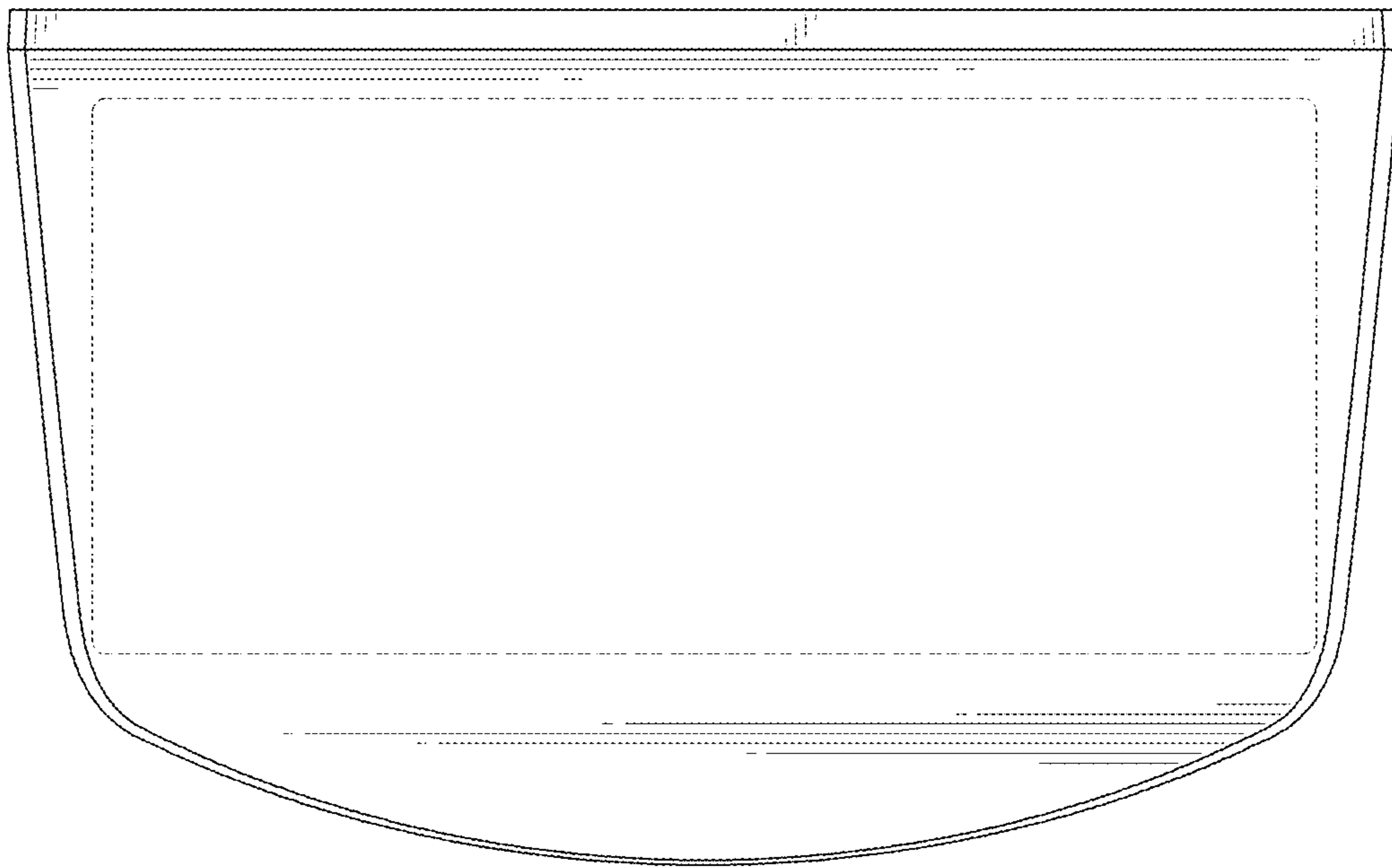


FIG. 7

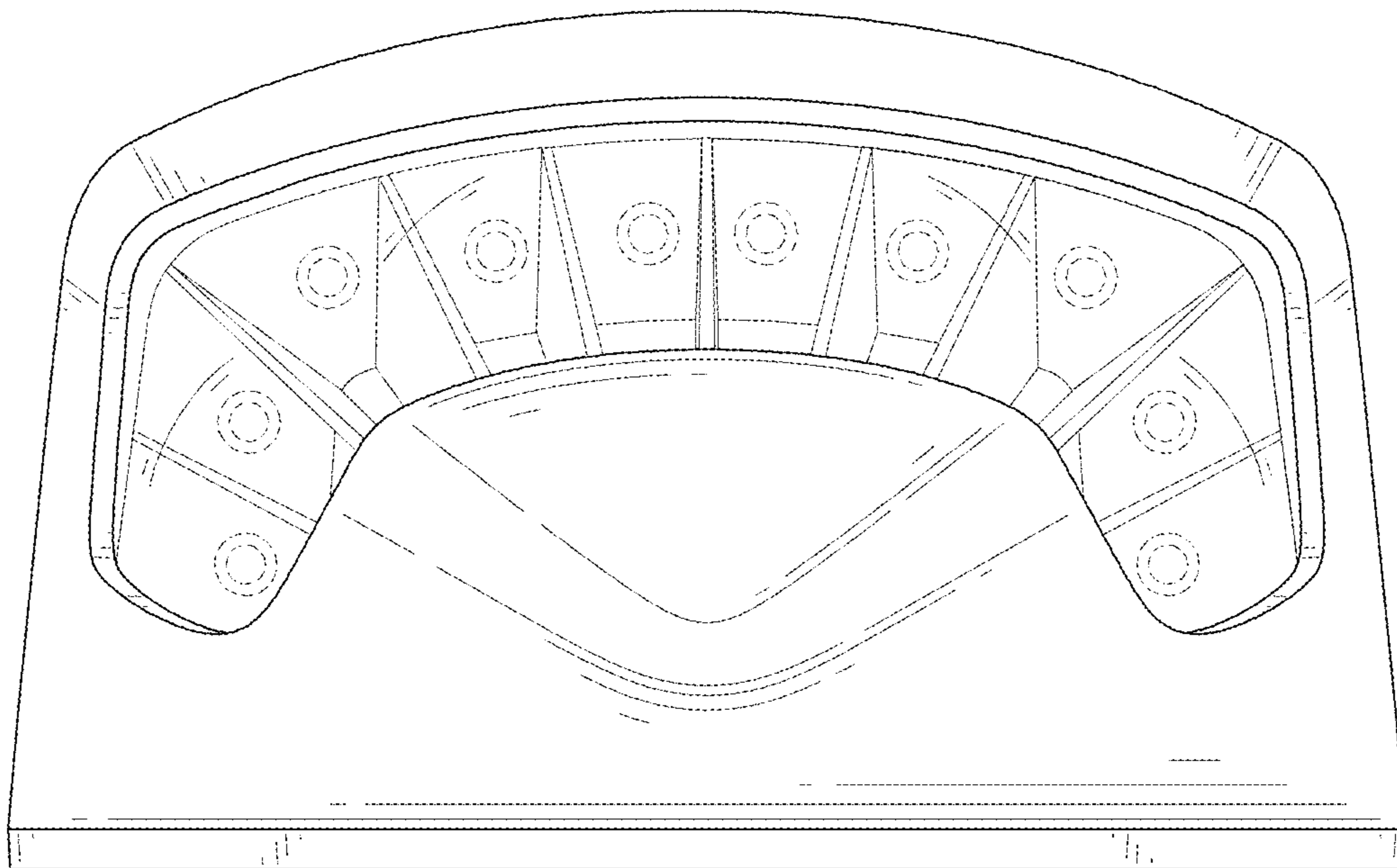


FIG. 8