

US00D896425S

(12) **United States Design Patent**  
**Saboo**

(10) **Patent No.:** **US D896,425 S**

(45) **Date of Patent:** **\*\* Sep. 15, 2020**

(54) **WORK LIGHT**

(71) Applicant: **West Coast Imports, Inc.**, Commerce, CA (US)

(72) Inventor: **Vinay Saboo**, Commerce, CA (US)

(73) Assignee: **West Coast Imports, Inc.**, Commerce, CA (US)

(\*\*) Term: **15 Years**

(21) Appl. No.: **29/695,621**

(22) Filed: **Jun. 20, 2019**

(51) **LOC (12) Cl.** ..... **26-03**

(52) **U.S. Cl.**  
USPC ..... **D26/65**

(58) **Field of Classification Search**  
USPC ..... D26/60-66, 72, 86, 102, 85, 87, 92  
CPC ..... F21Y 2103/002; F21Y 2101/02; F21S 10/00; F21V 21/30; F21V 14/02; F21V 21/00

See application file for complete search history.

(56) **References Cited**

**U.S. PATENT DOCUMENTS**

D498,551 S \* 11/2004 Chan ..... D26/37  
D614,334 S \* 4/2010 Thomson ..... D26/38

D665,522 S \* 8/2012 Werner ..... D26/37  
D698,471 S \* 1/2014 Poon ..... D26/37  
D710,527 S \* 8/2014 Brown ..... D26/63  
D799,095 S \* 10/2017 Bao ..... D26/65  
D800,939 S \* 10/2017 Cai ..... D26/65

\* cited by examiner

*Primary Examiner* — Brian N. Vinson

(74) *Attorney, Agent, or Firm* — Tarter, Krinsky & Drogin LLP

(57) **CLAIM**

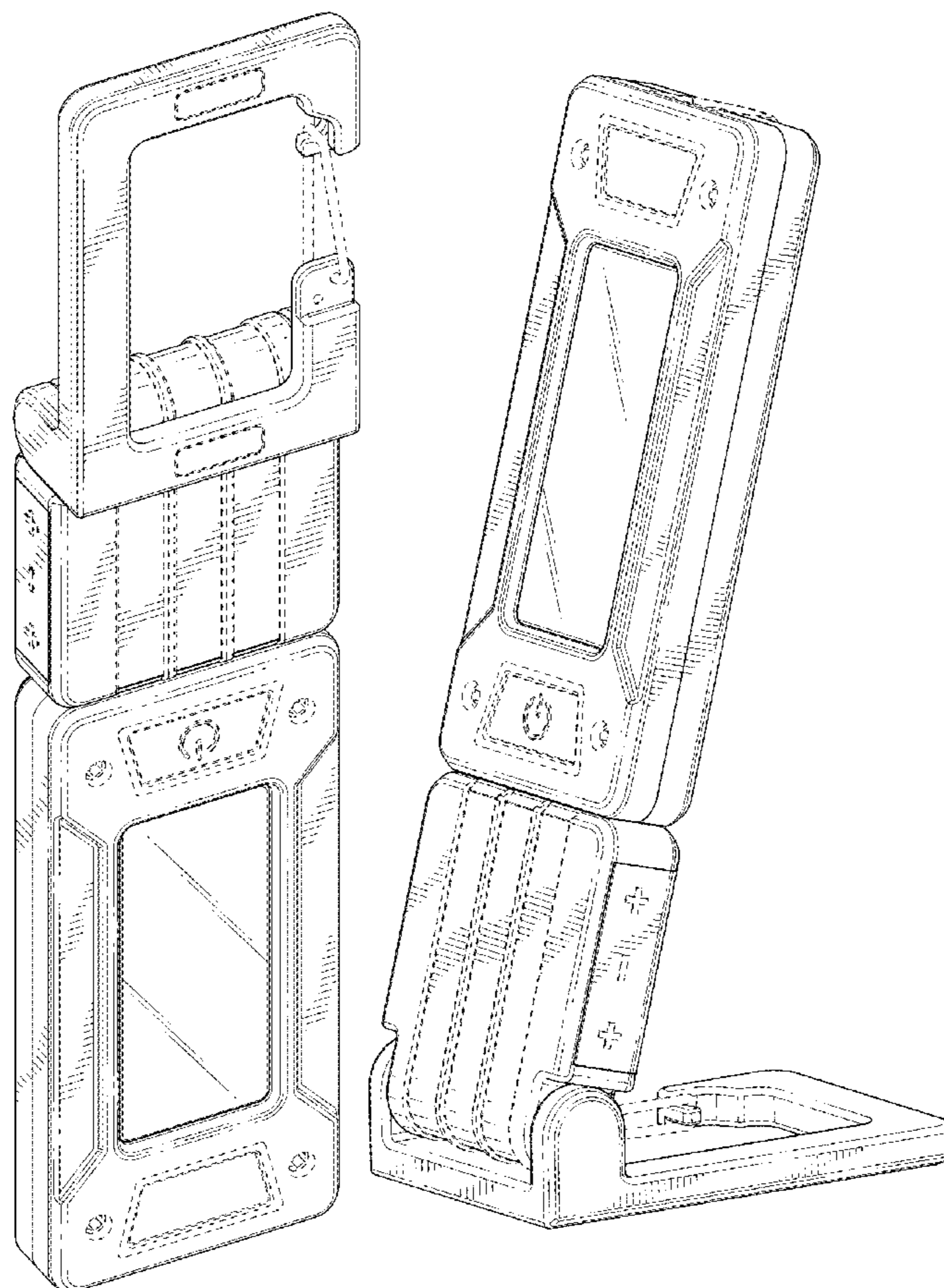
The ornamental design for a work light, as shown and described.

**DESCRIPTION**

FIG. 1 is a perspective view of a work light;  
FIG. 2 is a front view thereof;  
FIG. 3 is a rear view thereof;  
FIG. 4 is a first side view thereof;  
FIG. 5 is a second side view thereof;  
FIG. 6 is a top view thereof;  
FIG. 7 is a bottom view thereof;  
FIG. 8 is a perspective view of the work light folded to stand on a top portion thereof; and,  
FIG. 9 is a perspective view of the work light folded flat on a surface.

The broken line disclosure represents portions of the work light which forms no part of the claimed design.

**1 Claim, 8 Drawing Sheets**



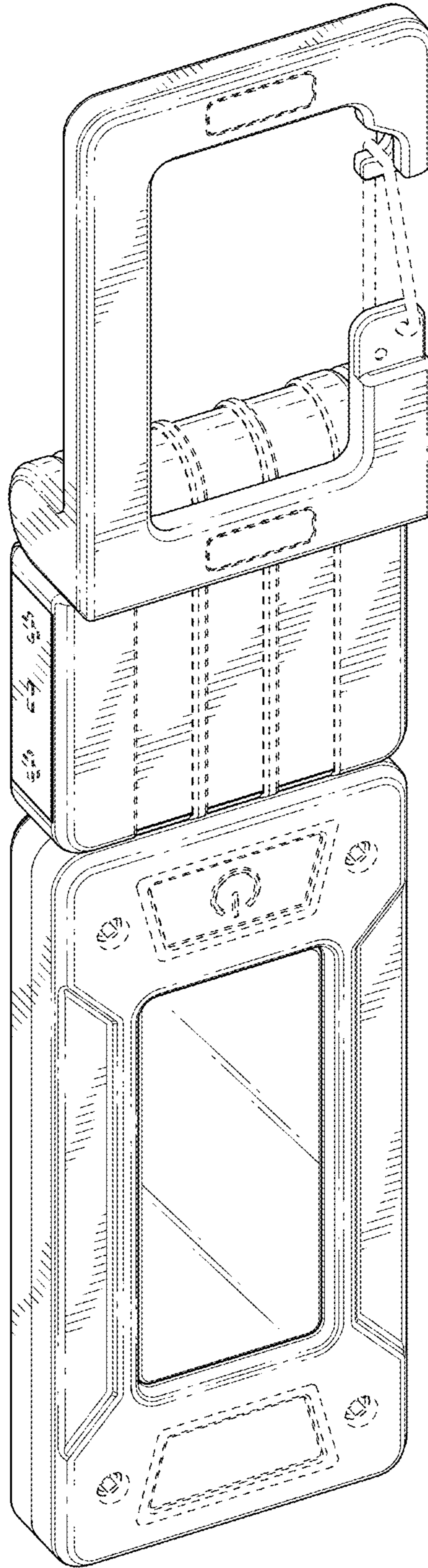


FIG. 1

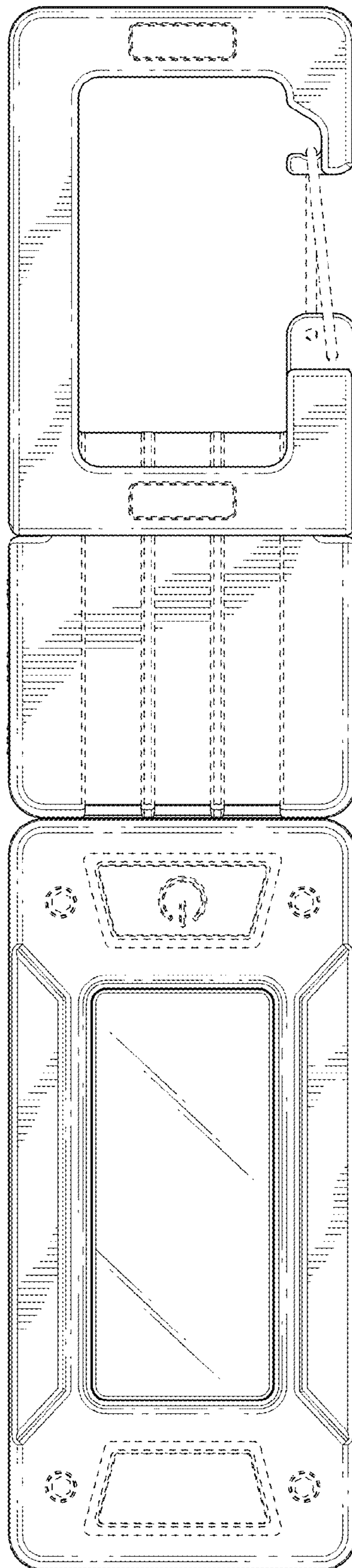


FIG.2



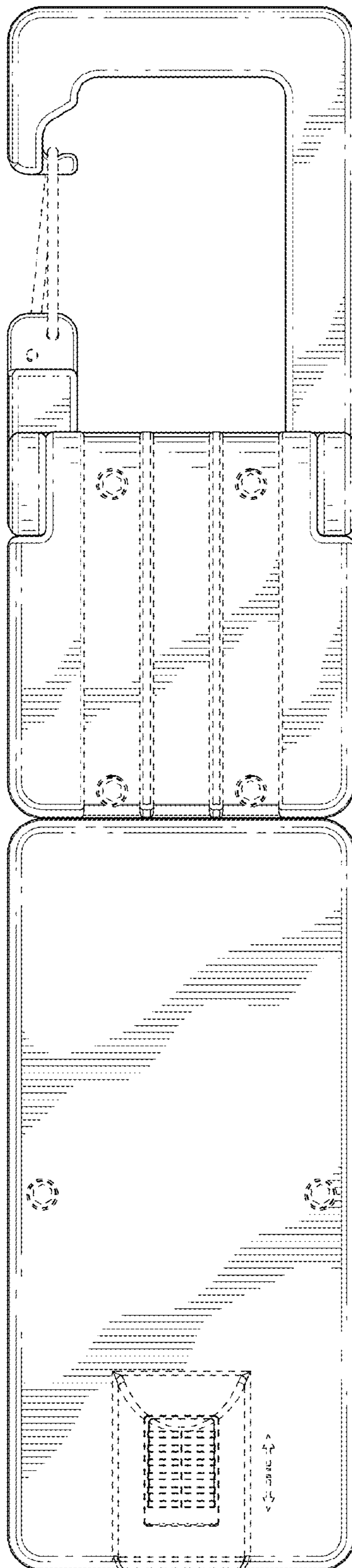


FIG. 3

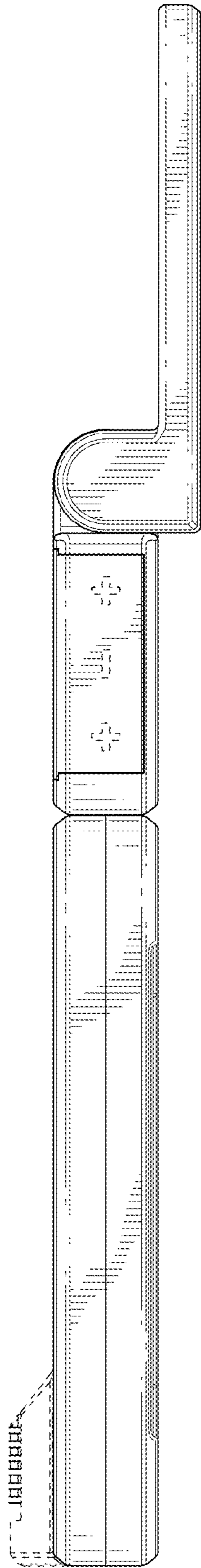


FIG.4

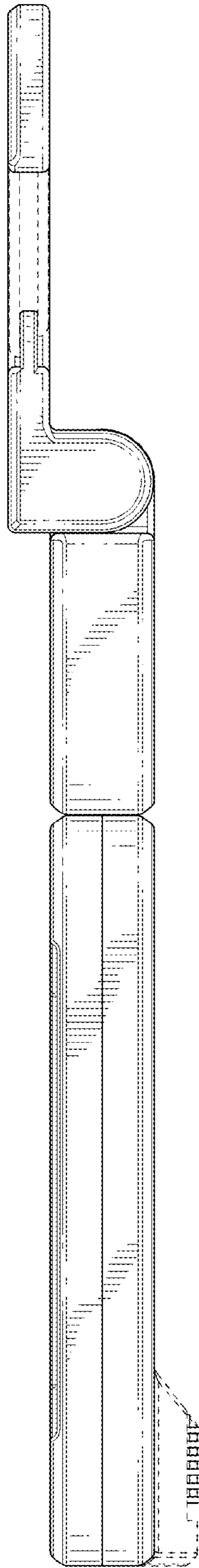


FIG. 5

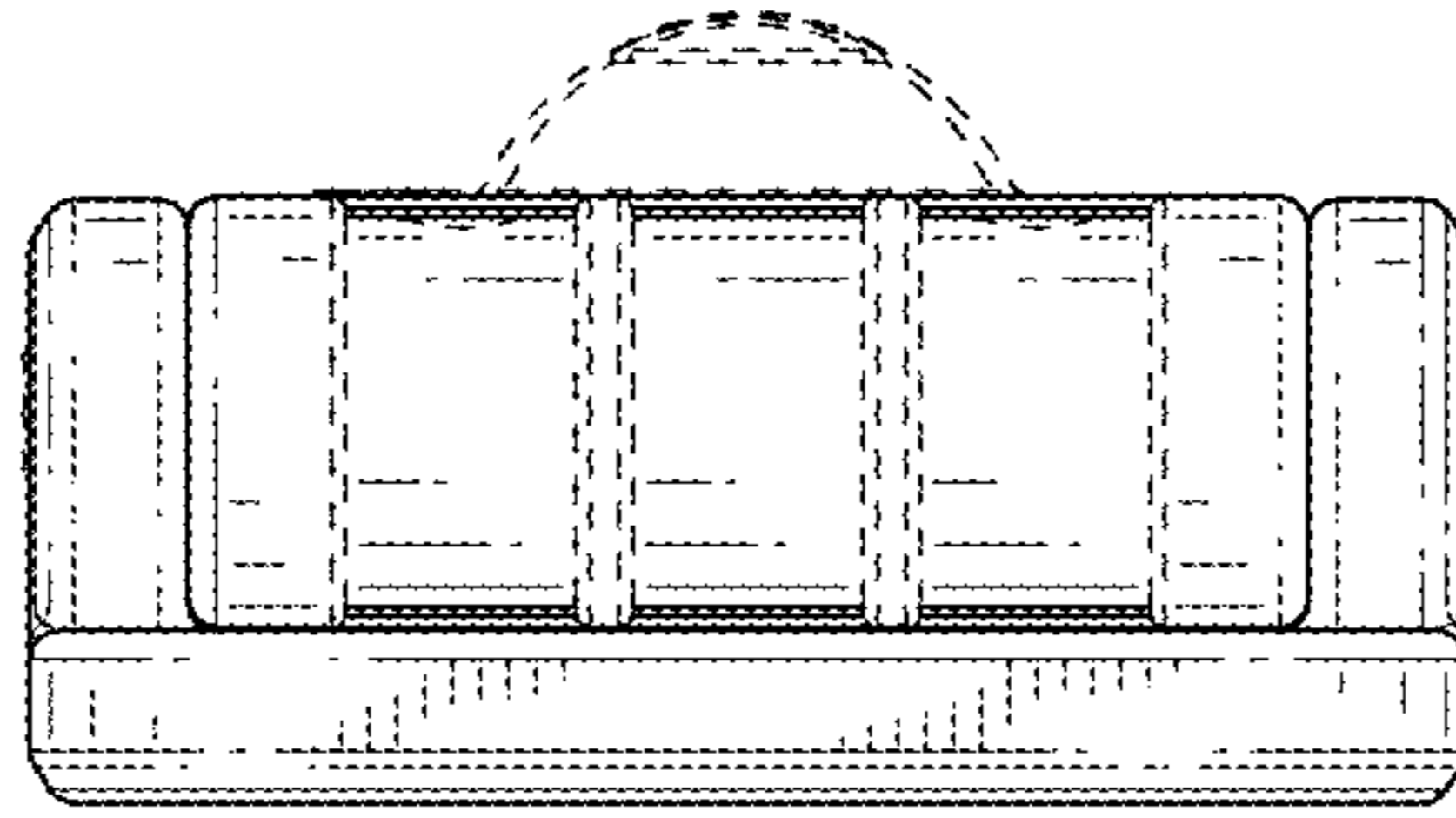


FIG. 6

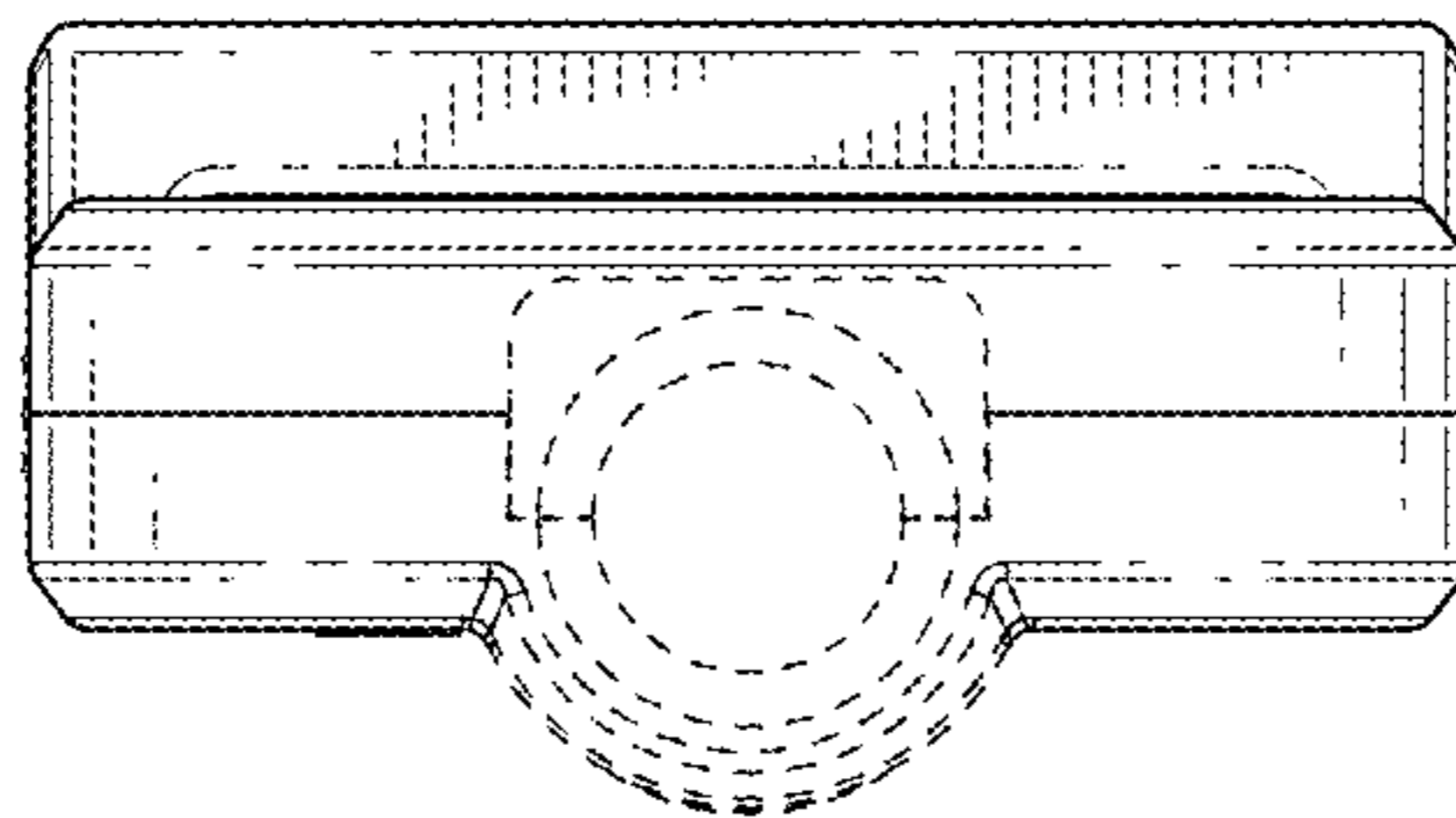


FIG. 7

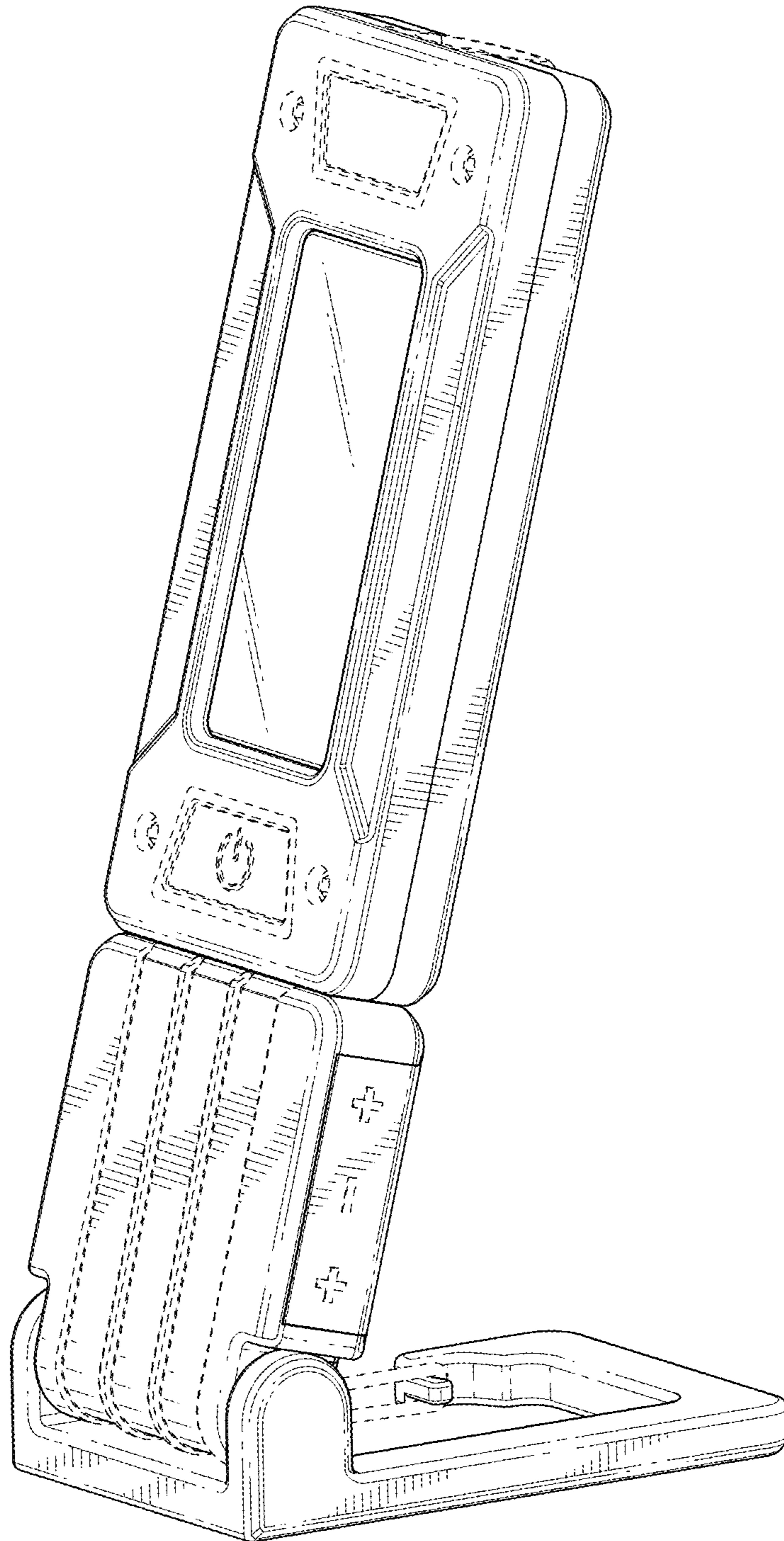


FIG. 8



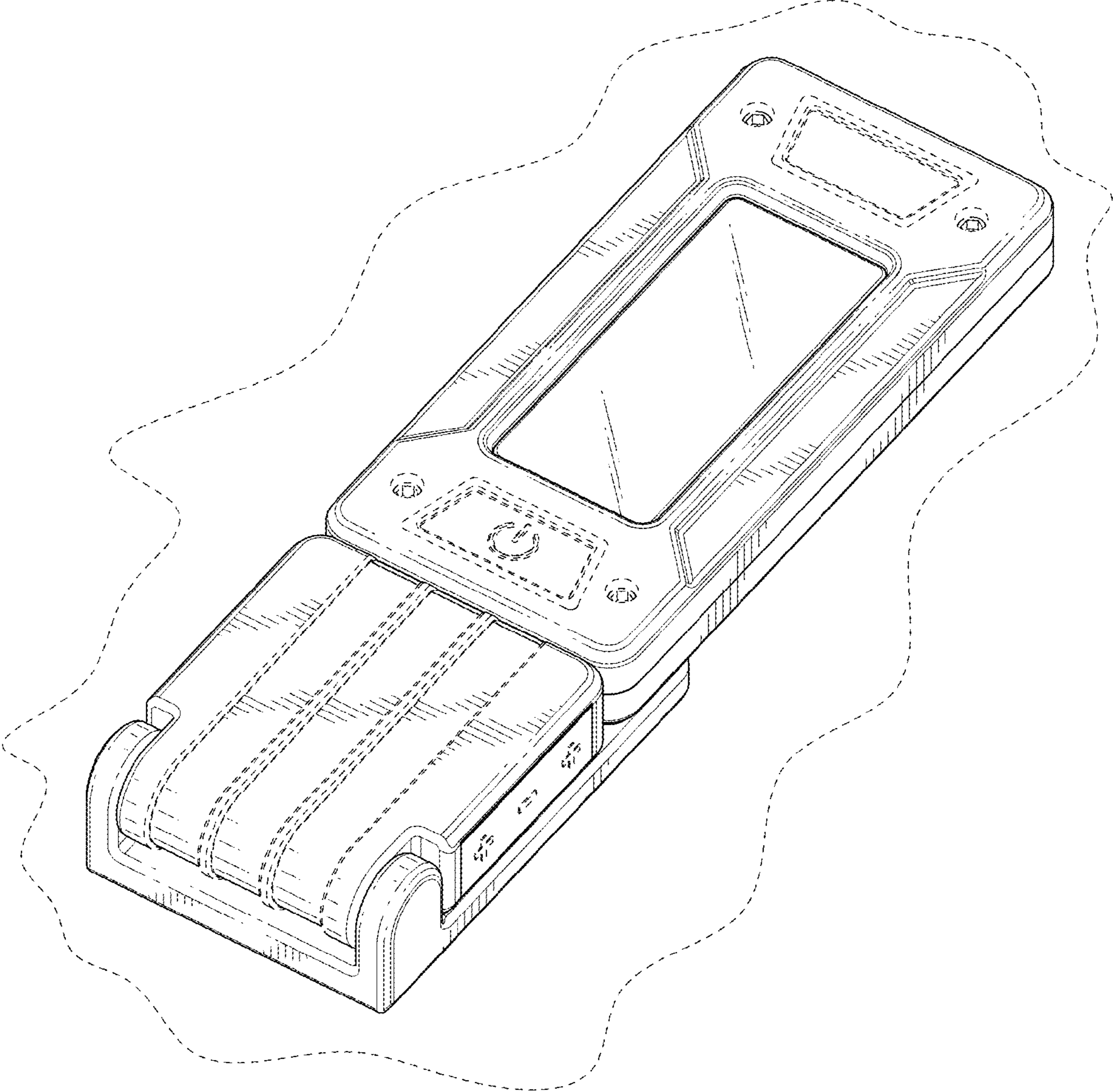


FIG.9