

US00D896421S

(12) **United States Design Patent** (10) **Patent No.:** **US D896,421 S**
Saboo (45) **Date of Patent:** **** Sep. 15, 2020**

(54) **FLASHLIGHT WITH SIDE LIGHT PANELS**
(71) Applicant: **West Coast Imports, Inc.**, Commerce, CA (US)

D570,035 S * 5/2008 Franklin D26/137
D586,489 S * 2/2009 Shiu D26/49
D601,737 S * 10/2009 Swan D26/49
7,670,023 B1 * 3/2010 Peterson F21L 4/08
362/183

(Continued)

(72) Inventor: **Vinay Saboo**, Commerce, CA (US)
(73) Assignee: **West Coast Imports, Inc.**, Commerce, CA (US)

FOREIGN PATENT DOCUMENTS

CN 300881619 2/2009
CN 301635783 S 8/2011

(Continued)

(**) Term: **15 Years**

(21) Appl. No.: **29/677,919**

OTHER PUBLICATIONS

(22) Filed: **Jan. 24, 2019**

wciimports.com, 9LED Flashlight Display, undated online product page, retrieved on May 18, 2020 from <URL: <http://www.wciimports.com/brands-public/product/263-fl9020d.html>> (Year: 2020).*

(51) **LOC (12) Cl.** **26-02**

(52) **U.S. Cl.**
USPC **D26/49**

(Continued)

(58) **Field of Classification Search**
USPC D26/37-38, 40-42, 46, 49-50, 75, D26/133-137; D8/300
CPC F21L 2003/00; F21L 4/00; F21L 4/005; F21L 4/02; F21L 4/022; F21L 4/025; F21L 4/027; F21L 4/04; F21L 4/045; F21L 4/08; F21L 4/085; F21L 2005/00; F21L 11/02

See application file for complete search history.

Primary Examiner — Sheryl Lane
Assistant Examiner — Stacey L Hopkins
(74) *Attorney, Agent, or Firm* — Tarter, Krinsky & Drogin LLP

(57) **CLAIM**

The ornamental design for a flashlight with side light panels, as shown and described.

(56) **References Cited**

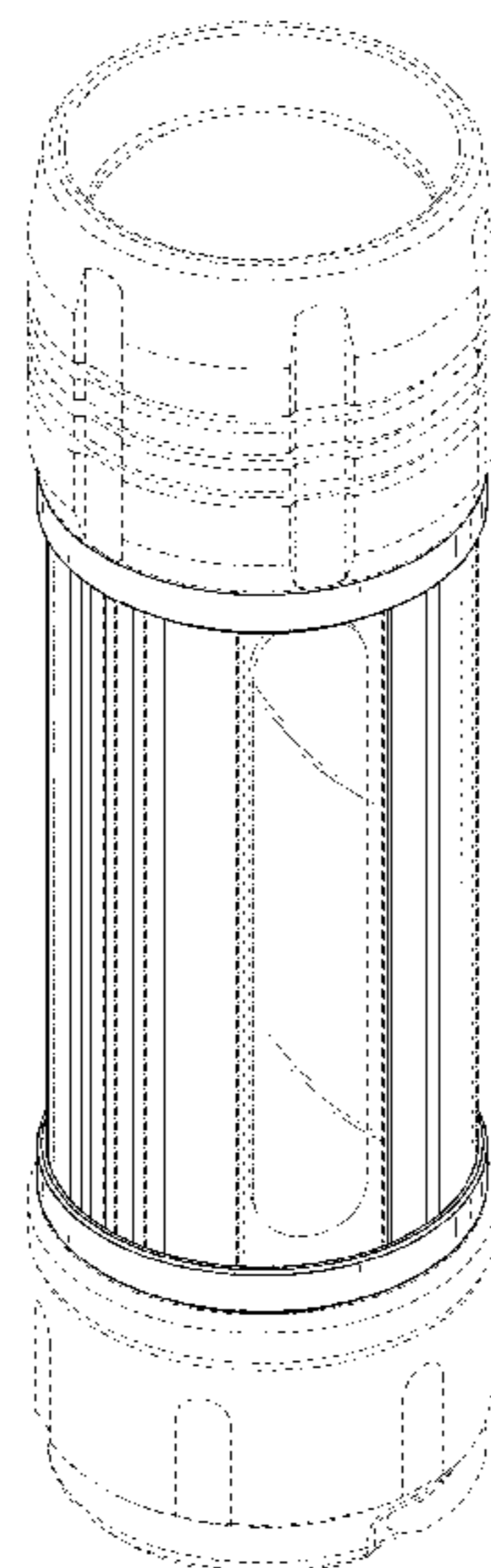
DESCRIPTION

U.S. PATENT DOCUMENTS

D108,202 S * 2/1938 Gelardin D26/49
D220,060 S * 3/1971 Luisa D99/34
D417,022 S * 11/1999 Chiu D26/49
6,179,431 B1 * 1/2001 Chien F21L 4/02
362/184
D455,513 S * 4/2002 Galli D26/49
D468,464 S * 1/2003 Galli D26/37
D468,851 S * 1/2003 Galli D26/37
D473,961 S * 4/2003 Galli D26/49
D479,013 S * 8/2003 Galli D26/37
D520,661 S * 5/2006 Chien D26/49
D526,730 S * 8/2006 Galli D26/37

FIG. 1 is a perspective view of a first embodiment of a flashlight with side light panels;
FIG. 2 is a front view thereof;
FIG. 3 is a rear view thereof;
FIG. 4 is a first side view thereof;
FIG. 5 is a second side view thereof;
FIG. 6 is a top view thereof; and,
FIG. 7 is a bottom view thereof.
The broken lines represent environment and form no part of the claimed design.

1 Claim, 7 Drawing Sheets



(56)

References Cited

U.S. PATENT DOCUMENTS

D621,080 S *	8/2010	Chen	D26/49
D658,798 S *	5/2012	Hillard	D26/51
D659,281 S *	5/2012	Patkus	D26/137
D698,976 S *	2/2014	Edwards, Jr.	D26/75
D717,480 S *	11/2014	Hsu	D26/49
D719,286 S *	12/2014	Inskeep	D26/49
9,068,727 B2 *	6/2015	Lee	F21V 14/065
D780,356 S *	2/2017	Nguyen	D26/49
9,671,098 B2 *	6/2017	Maglica	F21V 23/0414
D823,509 S *	7/2018	Kunzendorf	D26/49
D823,510 S *	7/2018	Kunzendorf	D26/49
D874,043 S *	1/2020	Lee	D26/37
2003/0147239 A1 *	8/2003	Galli	F21V 23/0414 362/205
2010/0219775 A1 *	9/2010	Maglica	F21V 23/0421 315/362
2013/0049582 A1 *	2/2013	West	F21V 23/0428 315/33
2019/0063696 A1	2/2019	Grandadam	

FOREIGN PATENT DOCUMENTS

CN	301688001 S	9/2011
CN	302512060 S	7/2013
CN	302722134 S	1/2014
CN	303096913 S	2/2015
CN	303096914 S	2/2015
CN	304422129 S	12/2017
CN	304451515 S	1/2018
CN	3052411482 S	7/2019
KR	300610872	8/2011

OTHER PUBLICATIONS

U.S. Appl. No. 29/614,796, filed Aug. 23, 2017, entitled "Portable, Elongated Lantern".

* cited by examiner

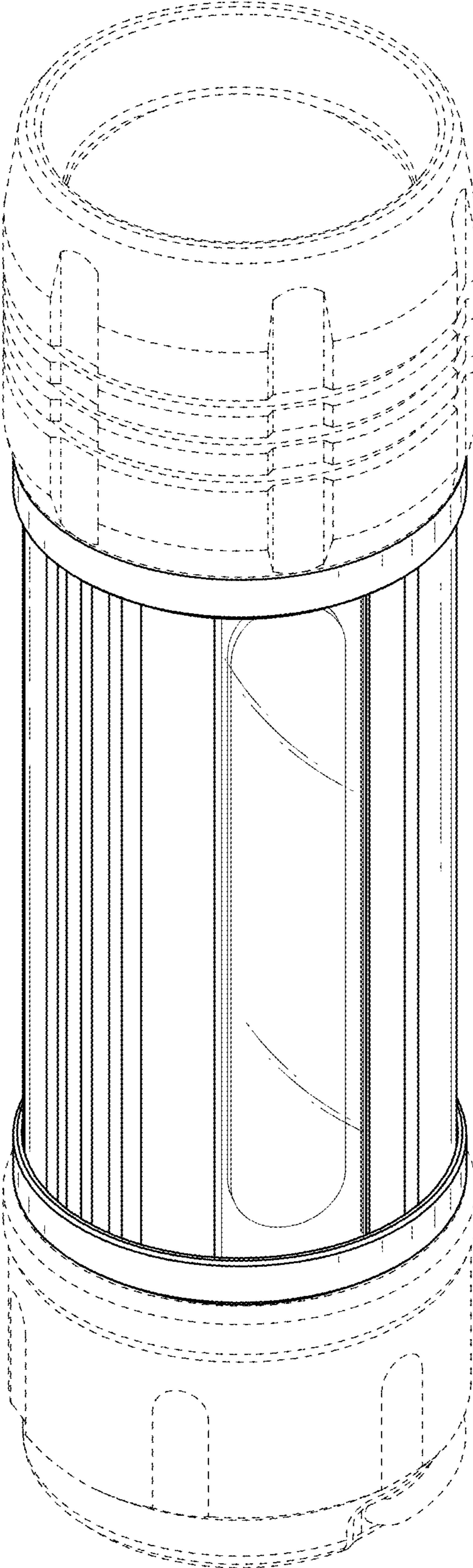


FIG. 1

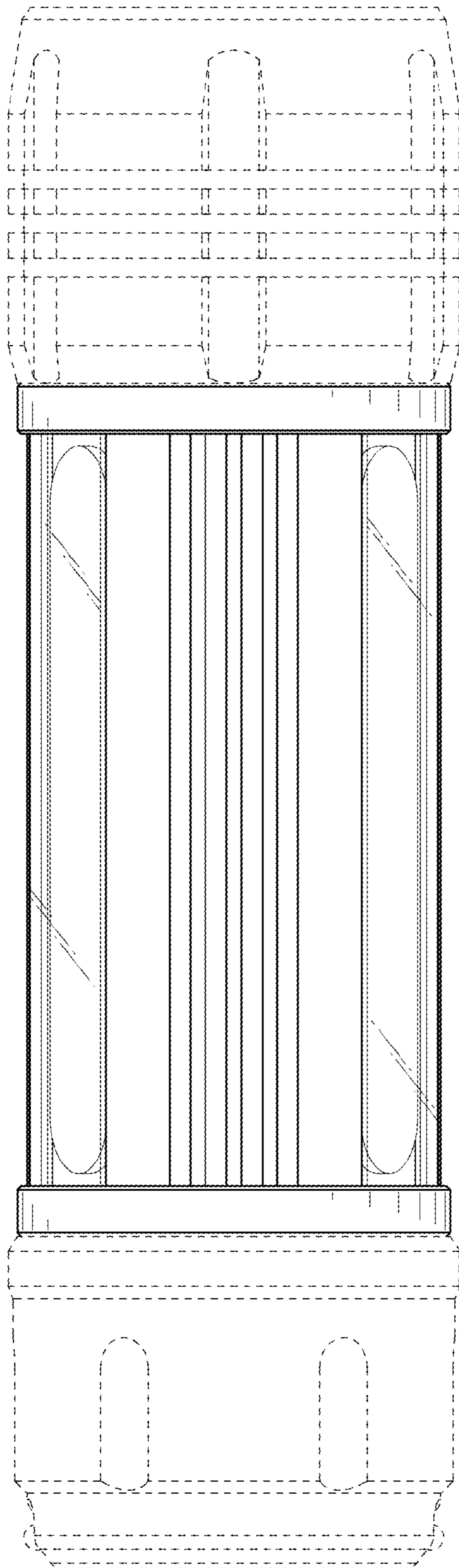


FIG. 2

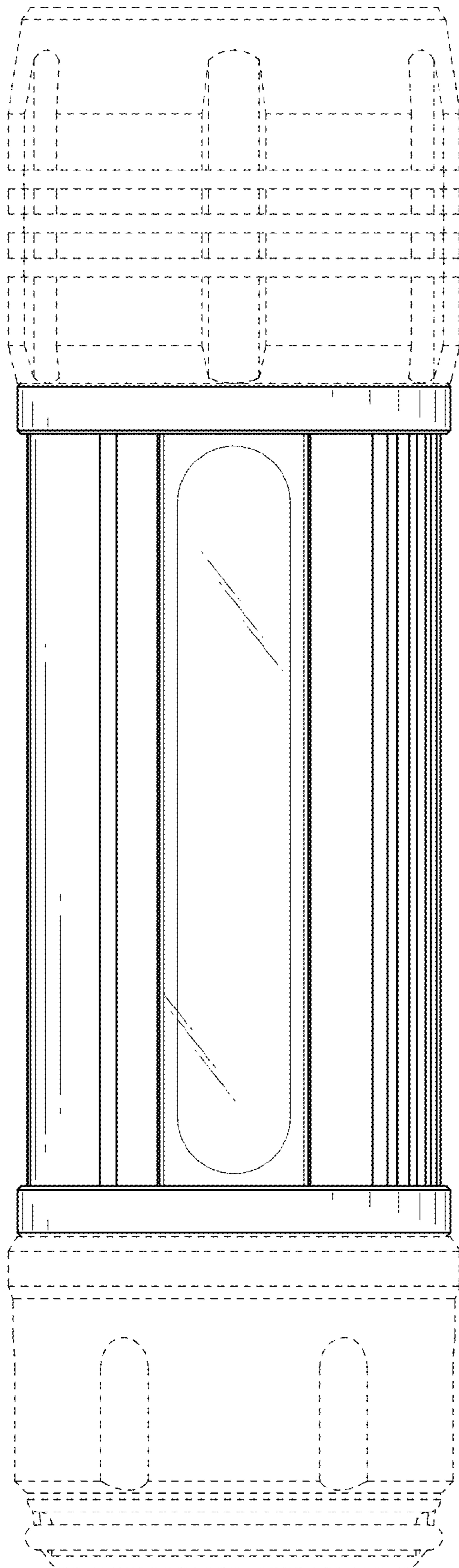


FIG. 3

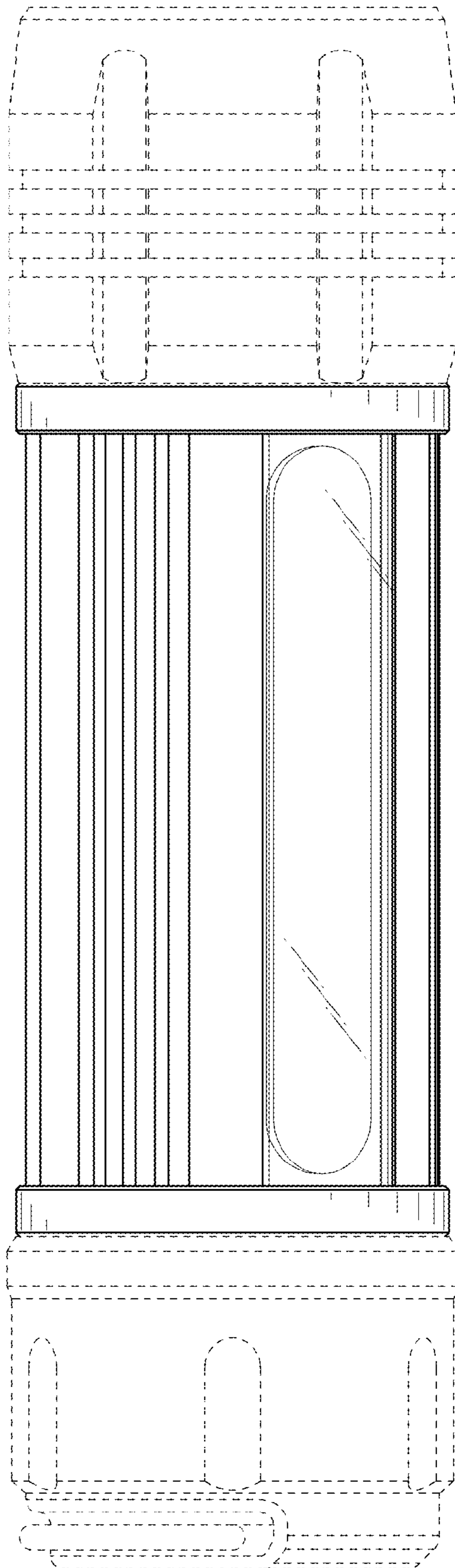


FIG.4

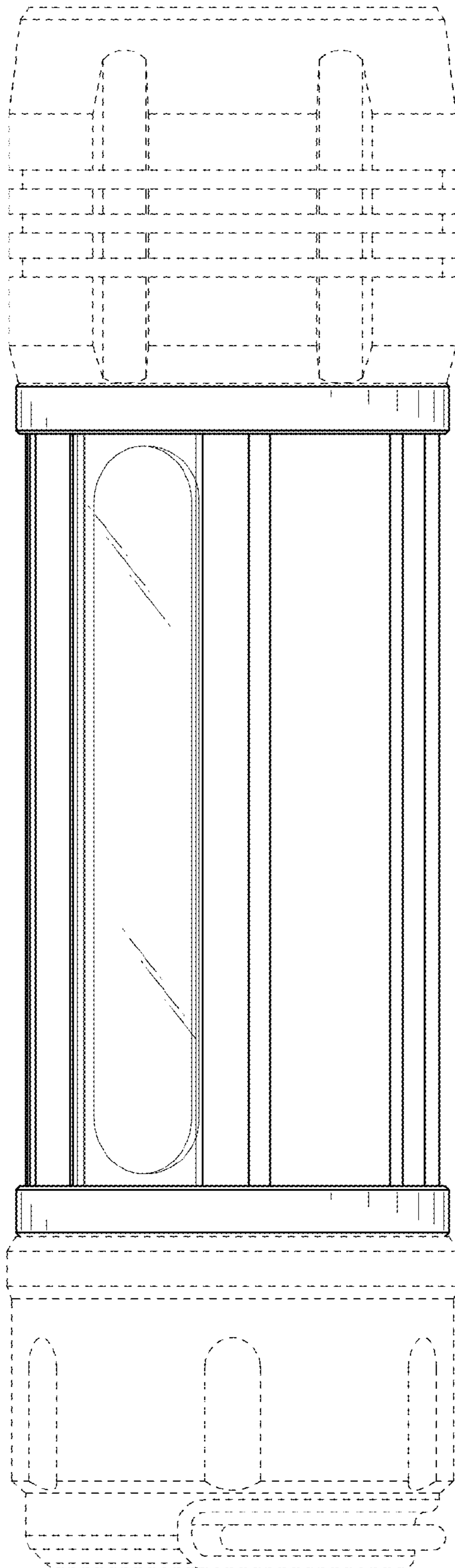


FIG. 5

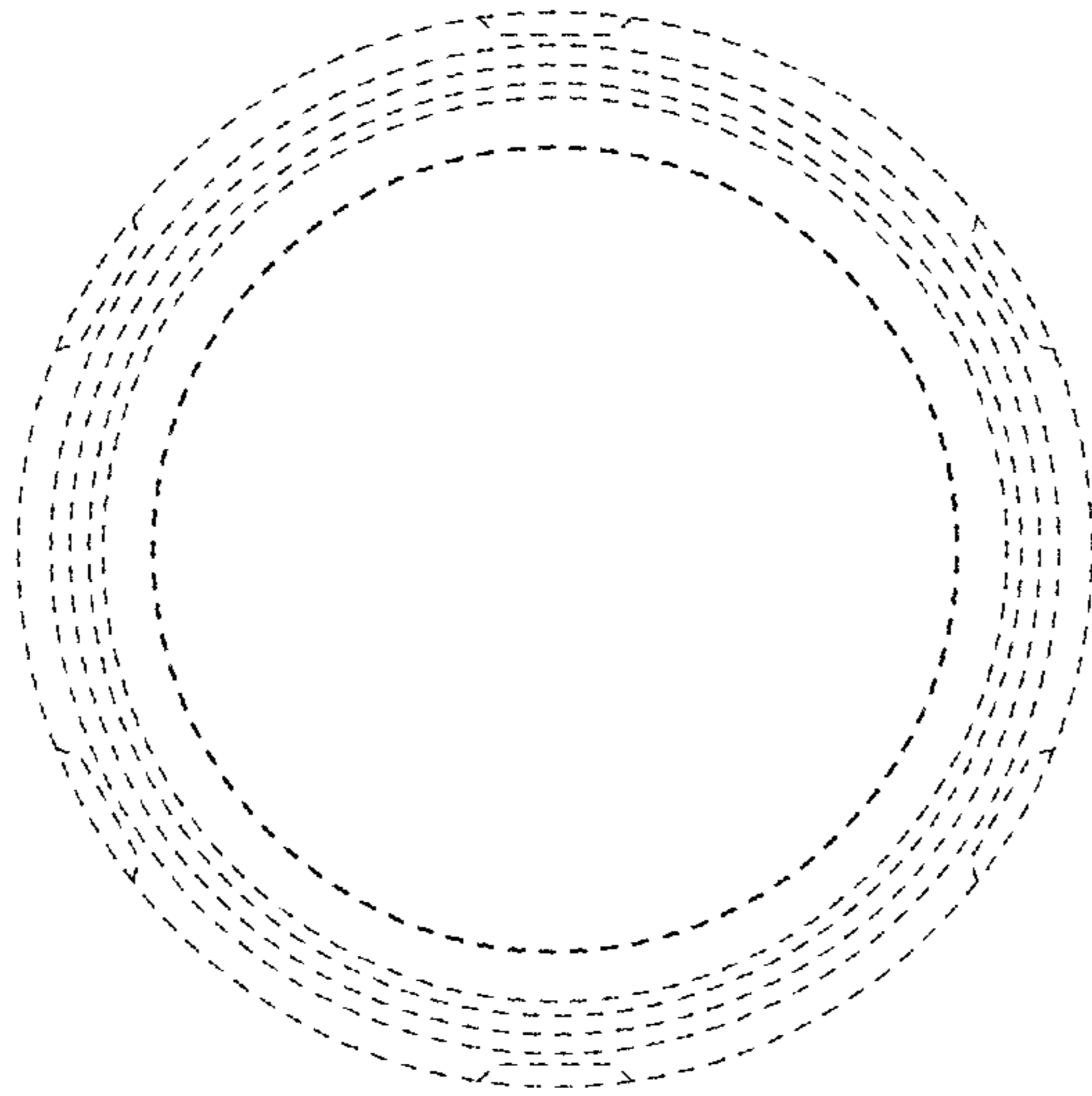


FIG. 6

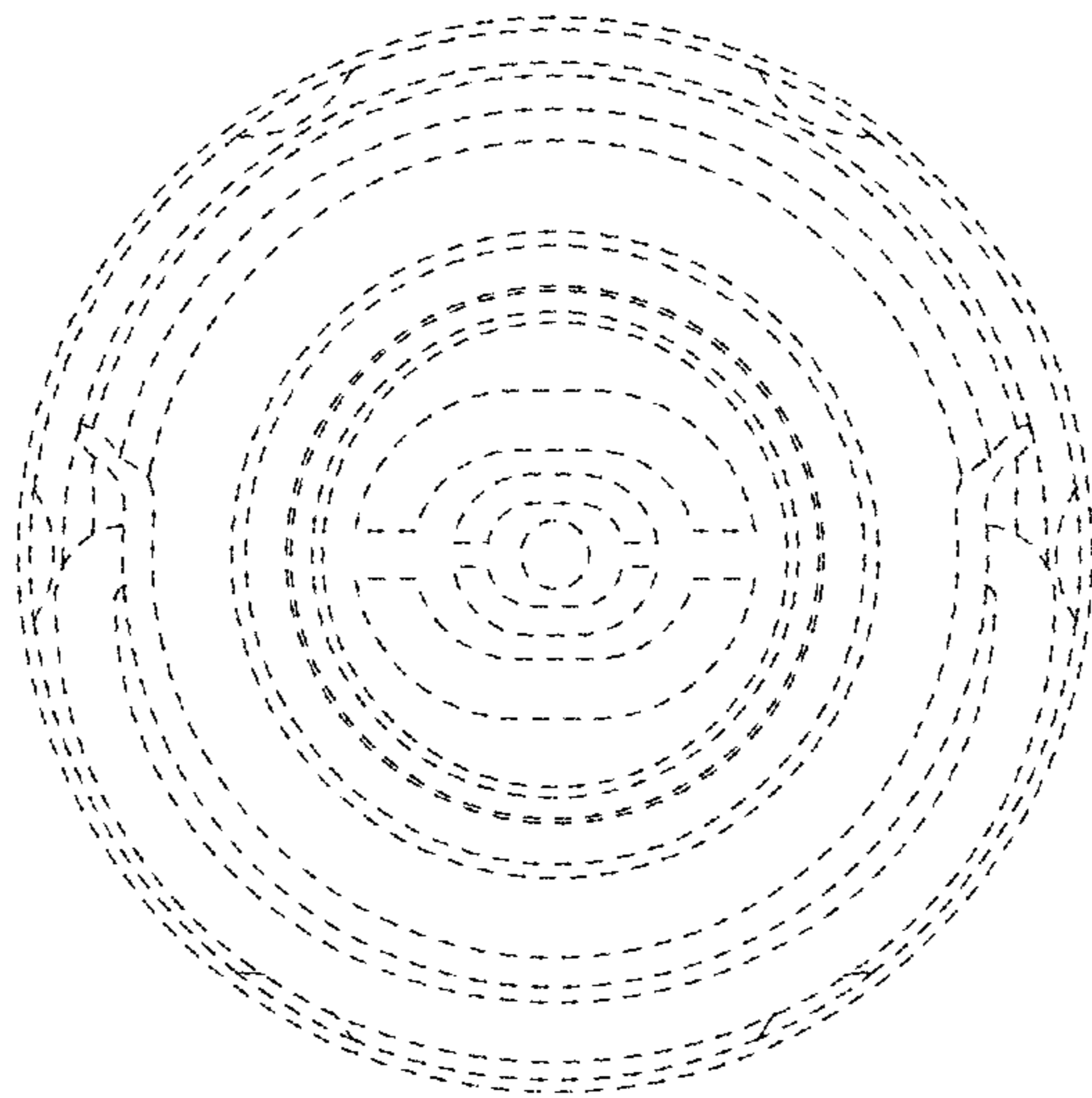


FIG. 7