



US00D896420S

(12) **United States Design Patent**
Inskeep et al.

(10) **Patent No.:** **US D896,420 S**

(45) **Date of Patent:** **** Sep. 15, 2020**

(54) **SPOTLIGHT**

(71) Applicant: **Vector Products, Inc.**, Boca Raton, FL (US)

(72) Inventors: **Mathew Inskeep**, Highland Beach, FL (US); **Ling To Shum**, Boca Raton, FL (US)

(73) Assignee: **VECTOR PRODUCTS, INC.**, Boca Raton, FL (US)

(**) Term: **15 Years**

(21) Appl. No.: **29/674,222**

(22) Filed: **Dec. 20, 2018**

(51) **LOC (12) Cl.** **26-02**

(52) **U.S. Cl.**
USPC **D26/45**

(58) **Field of Classification Search**
USPC D26/37-51
CPC F21L 2003/00; F21L 4/00; F21L 4/005;
F21L 4/02; F21L 4/025; F21L 4/027;
F21L 4/04; F21L 4/08; F21L 7/00; F21L
11/00; F21L 13/00; F21L 13/04; F21L
13/08; F21L 14/02; F21L 17/00; F21L
19/00; F21L 25/00

See application file for complete search history.

(56) **References Cited**

U.S. PATENT DOCUMENTS

D466,637 S	*	12/2002	Gisser	D26/45
D603,540 S	*	11/2009	Shum	D26/45
D605,796 S	*	12/2009	Crawford	D26/45
D623,323 S	*	9/2010	Kung	D26/45
D628,326 S	*	11/2010	Ng	D26/45
D646,816 S	*	10/2011	Wang	D26/45

D658,325 S	*	4/2012	Inskeep	D26/45
D662,240 S	*	6/2012	Inskeep	D26/45
D662,241 S	*	6/2012	Tschopp	D26/45
D673,705 S	*	1/2013	Inskeep	D26/45
D673,707 S	*	1/2013	Inskeep	D26/45
D683,490 S	*	5/2013	Lee	D26/45
D700,384 S	*	2/2014	Lee	D26/45
D702,383 S	*	4/2014	Inskeep	D26/45
D711,029 S	*	8/2014	Schnell	D26/45
D711,574 S	*	8/2014	Shen	D26/45
D718,481 S	*	11/2014	Lee	D26/45
D748,310 S	*	1/2016	Inskeep	D26/45
D754,380 S	*	4/2016	Inskeep	D26/45
D754,381 S	*	4/2016	Inskeep	D26/45
D782,091 S	*	3/2017	Inskeep	D26/45
D788,341 S	*	5/2017	Inskeep	D26/45
D814,086 S	*	3/2018	Cooper	D26/45
D833,049 S	*	11/2018	Yu	D26/45
D849,296 S	*	5/2019	Inskeep	D26/45

* cited by examiner

Primary Examiner — Brandon M Rosati

Assistant Examiner — Stacey L Hopkins

(74) *Attorney, Agent, or Firm* — Daniel S. Polley, P.A.

(57) **CLAIM**

The ornamental design for a spotlight, as shown and described.

DESCRIPTION

FIG. 1 is a top perspective view of the spotlight showing our new design.

FIG. 2 is a bottom perspective view thereof.

FIG. 3 is a top view thereof.

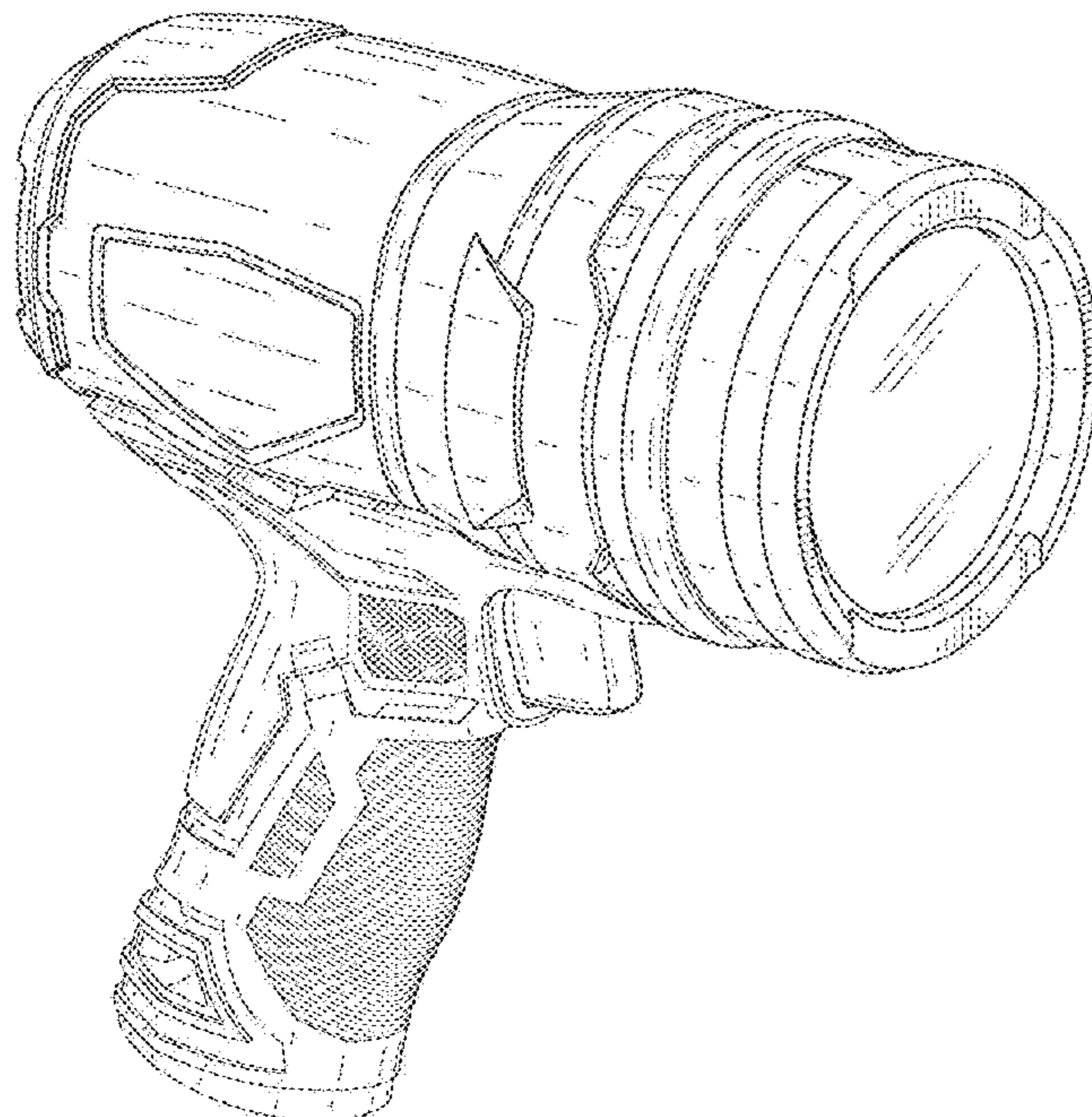
FIG. 4 is a bottom plan view thereof;

FIG. 5 is a right side view thereof.

FIG. 6 is a front view thereof; and,

FIG. 7 is a back view thereof.

1 Claim, 5 Drawing Sheets



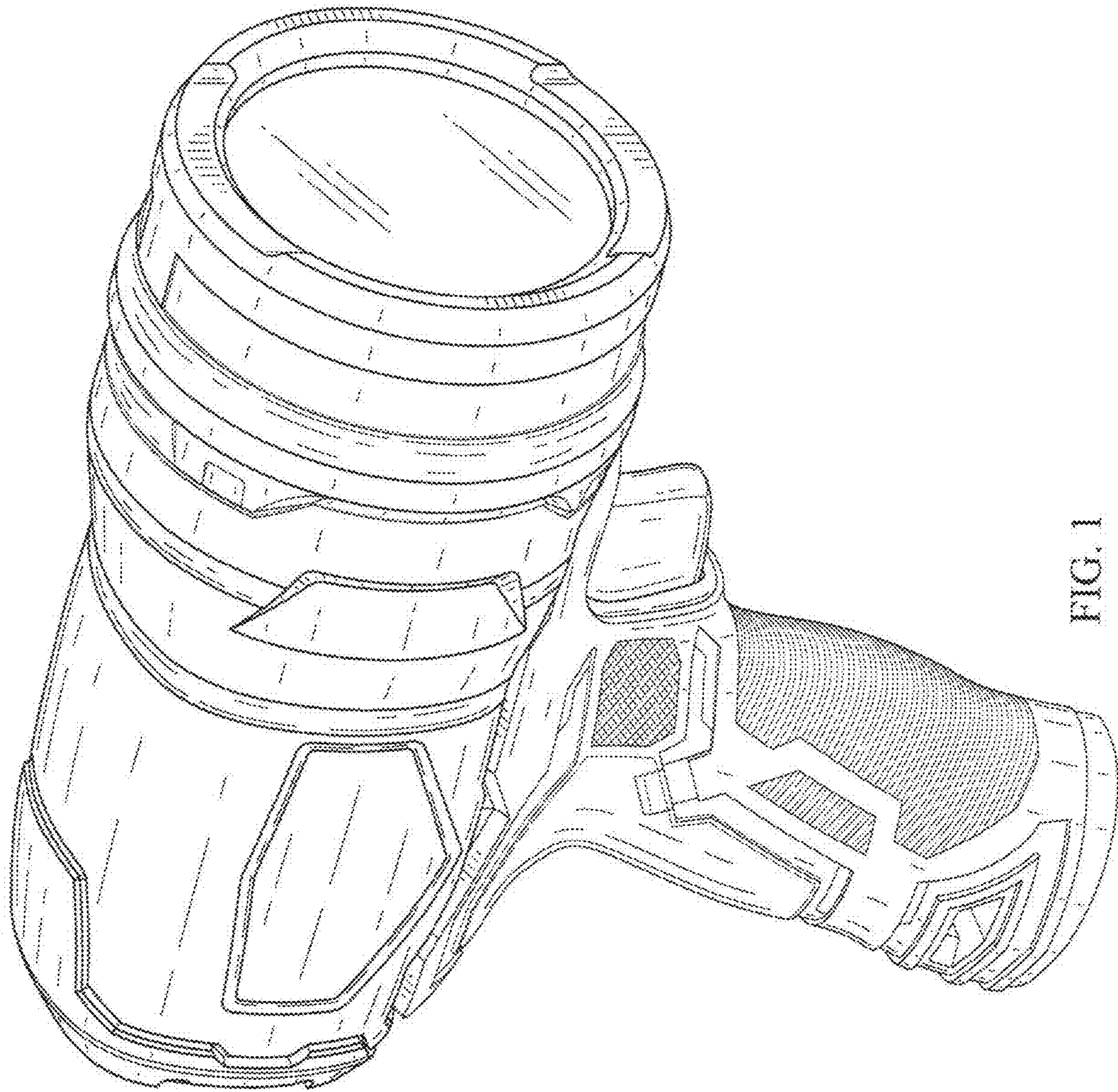


FIG. 1

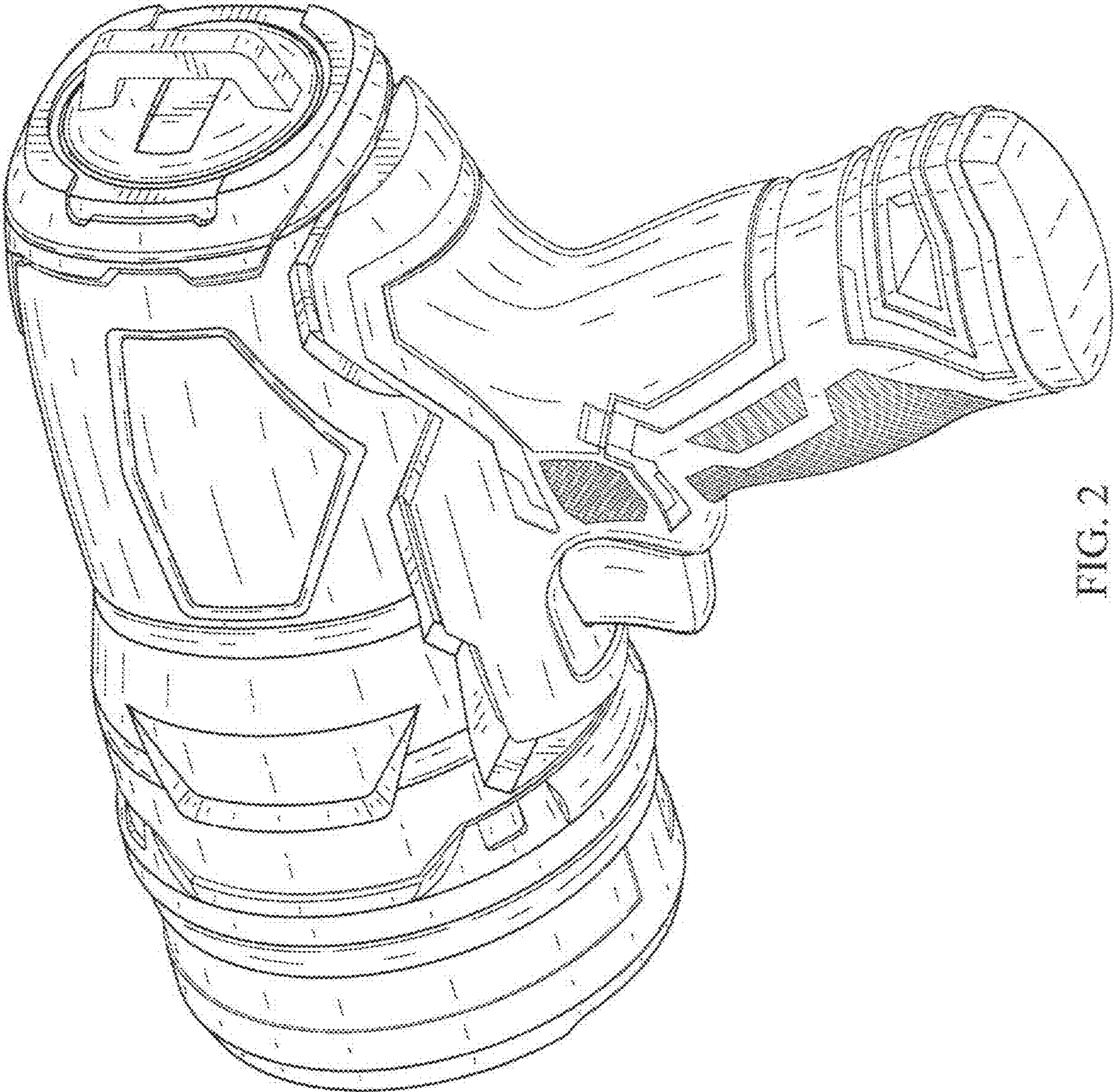


FIG. 2

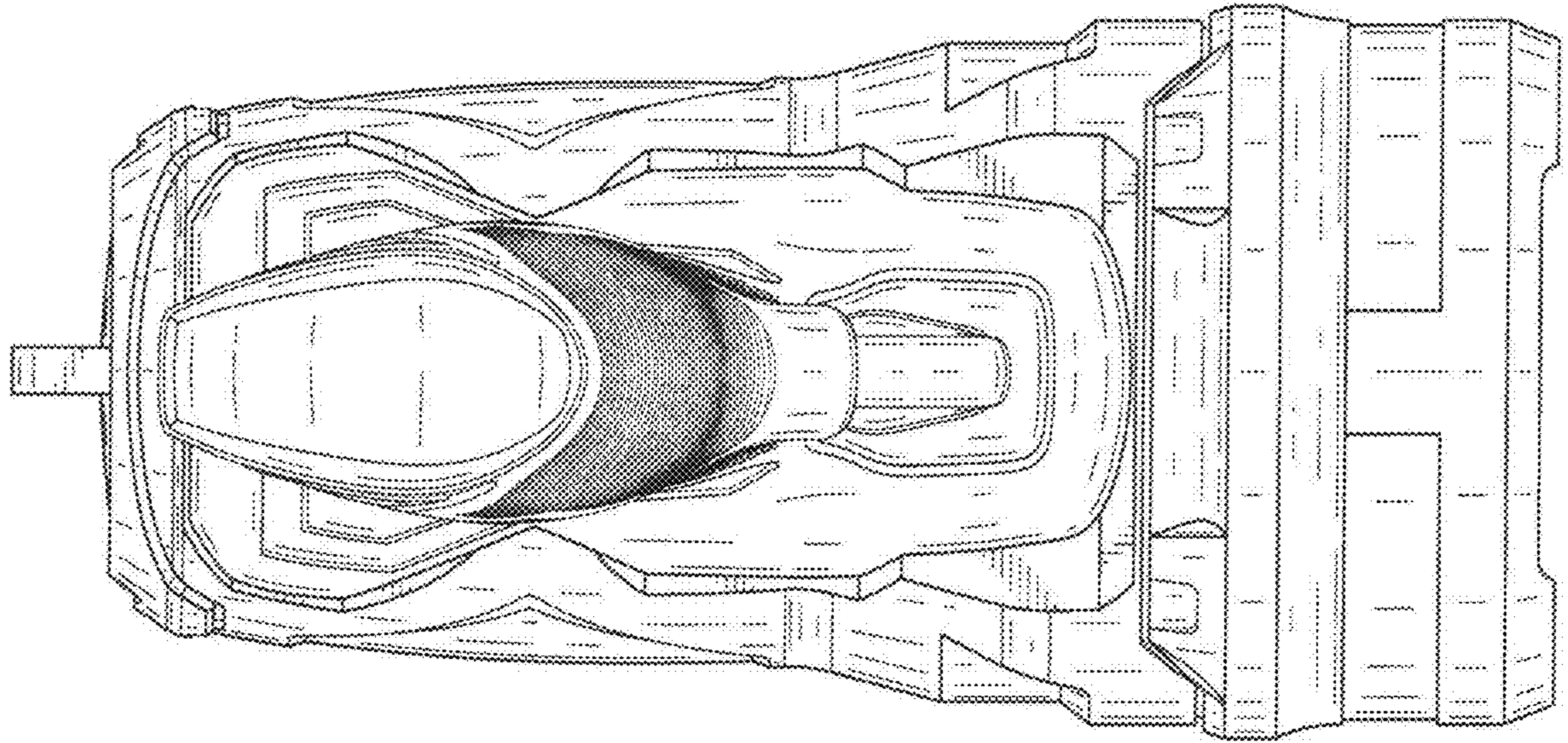


FIG. 4

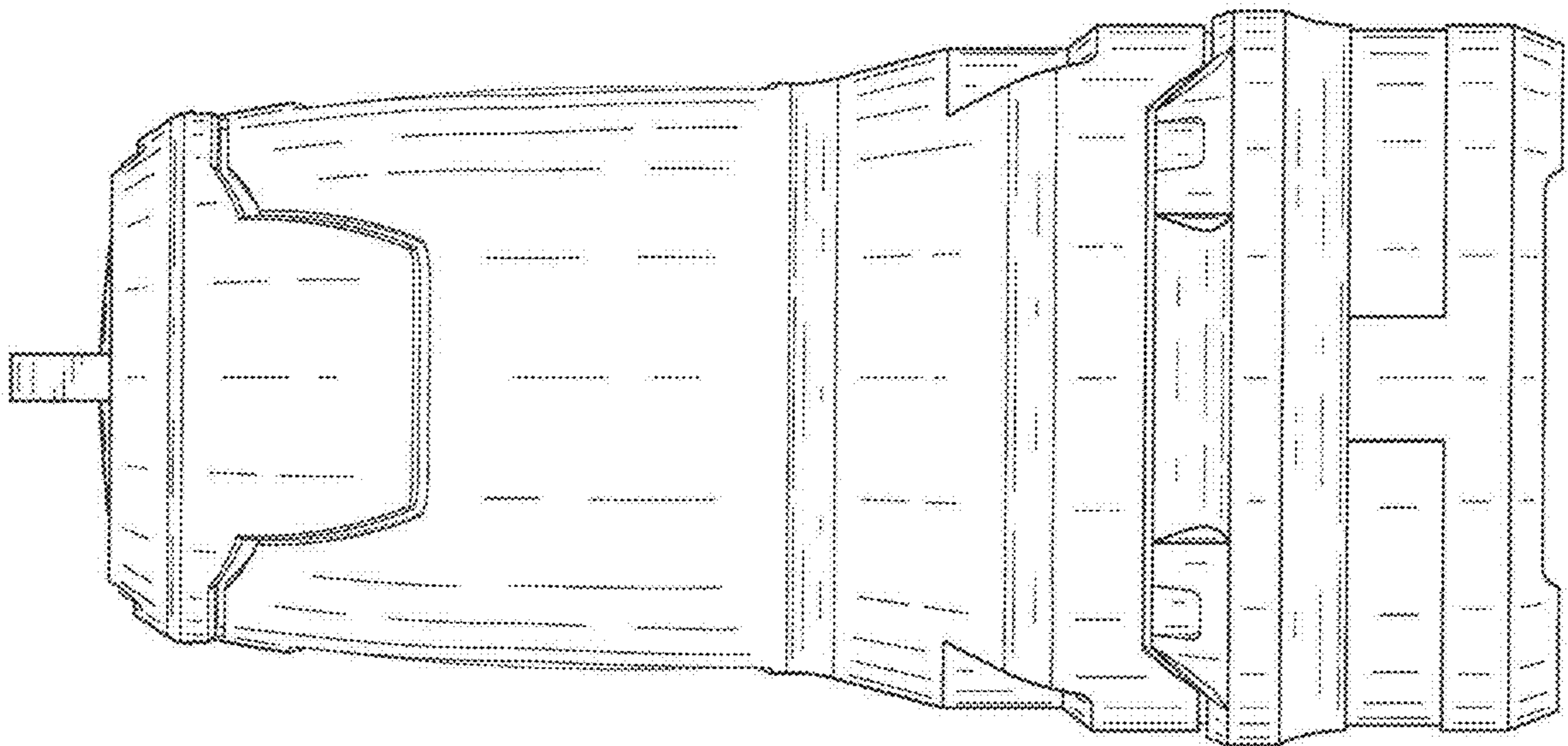


FIG. 3

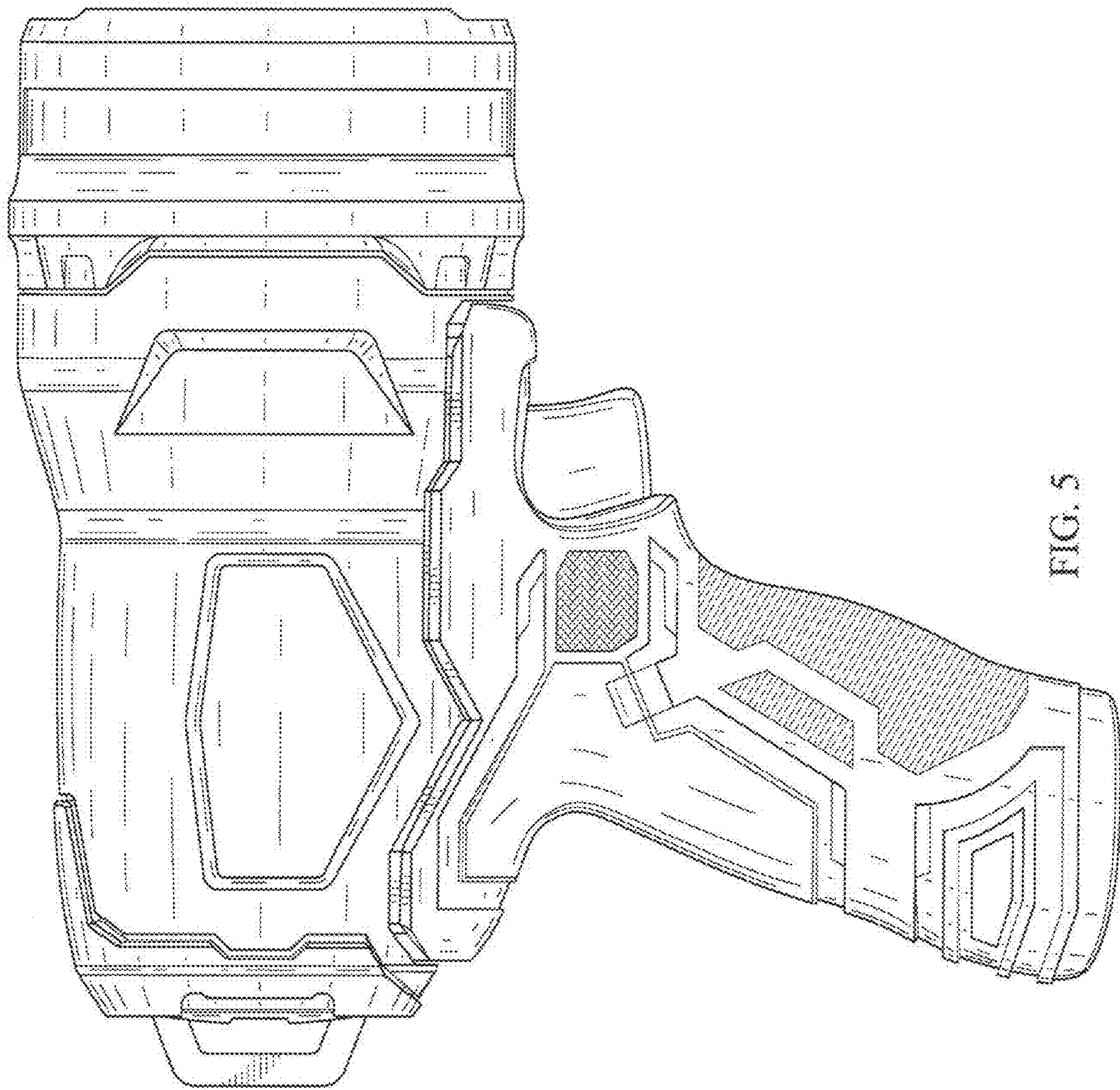


FIG. 5

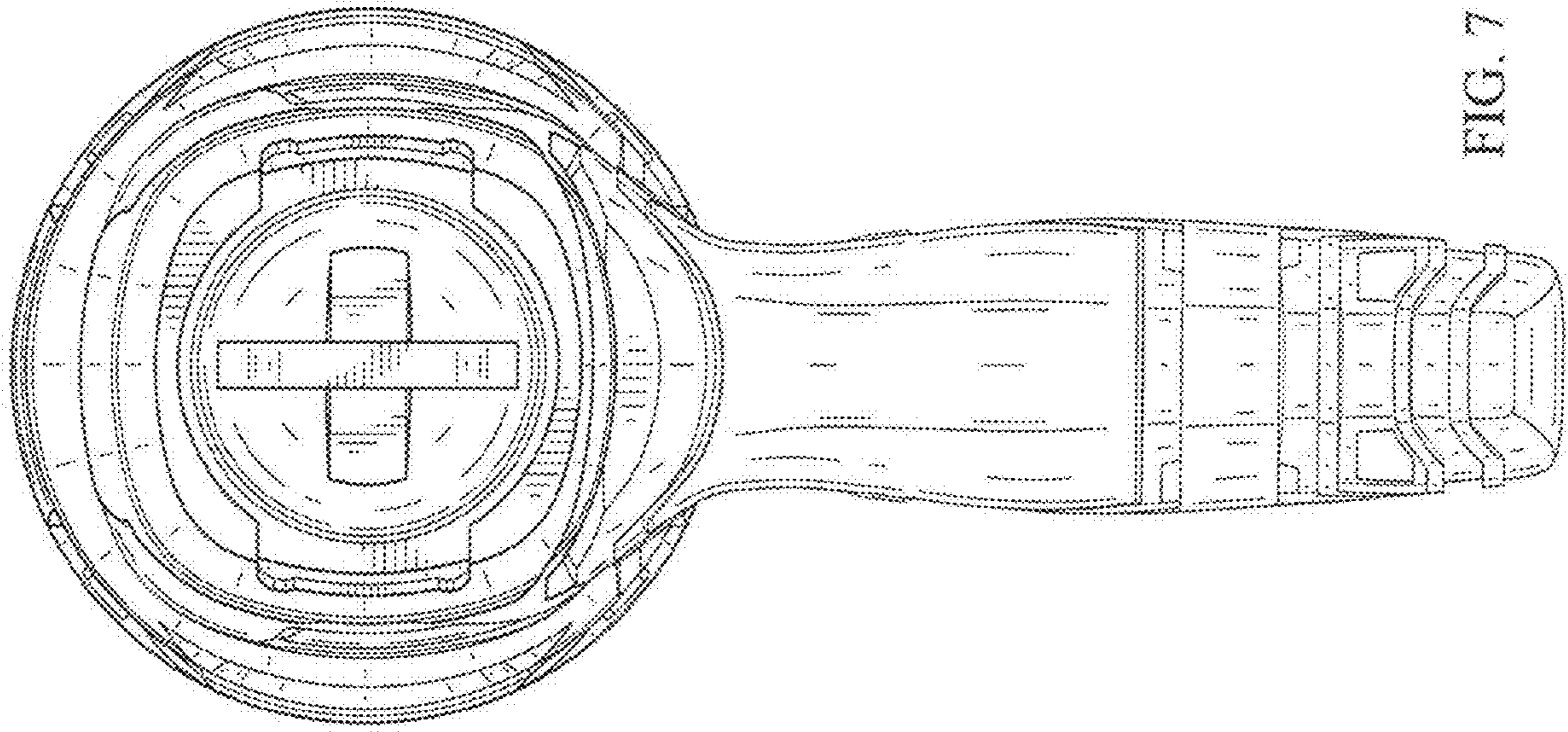


FIG. 7

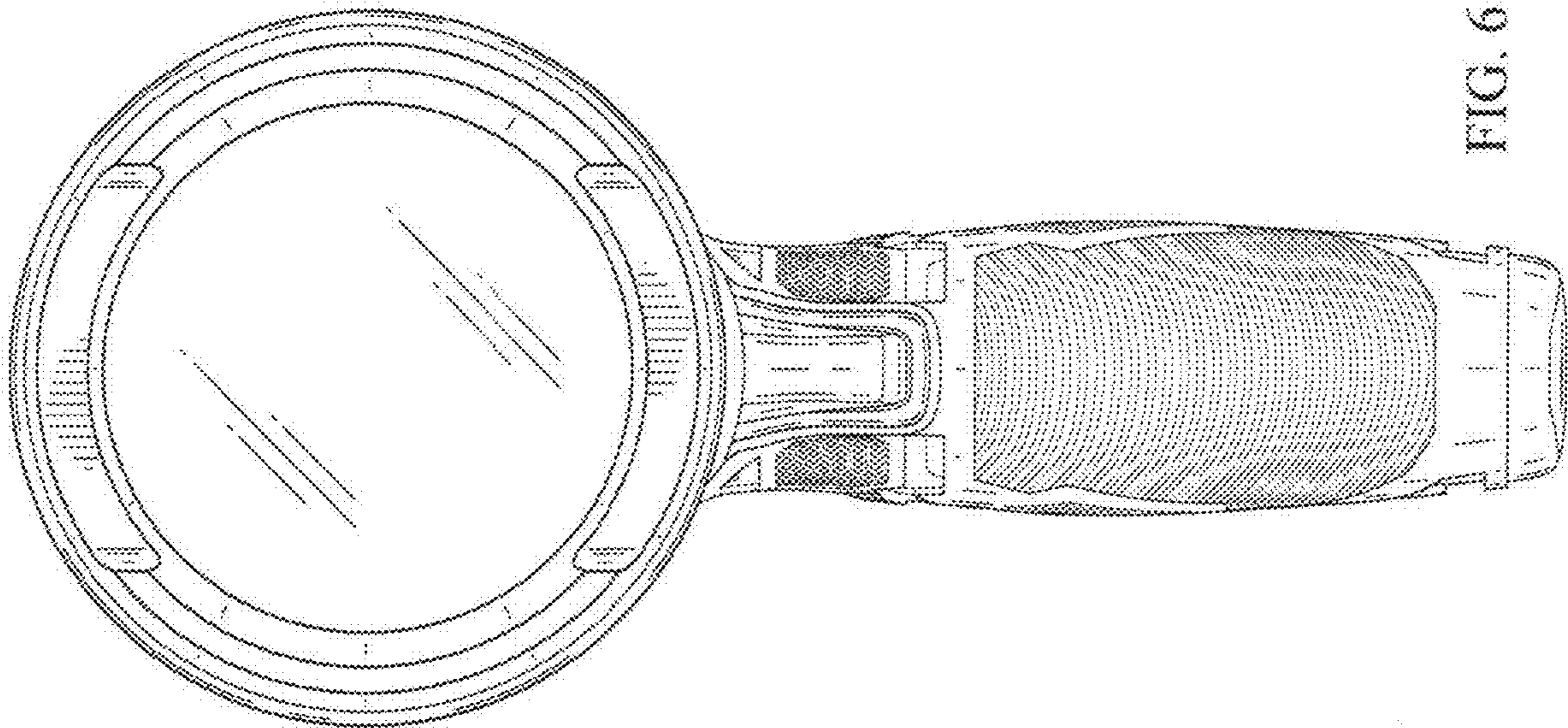


FIG. 6