



US00D896419S

(12) **United States Design Patent**  
**Clark**

(10) **Patent No.:** **US D896,419 S**

(45) **Date of Patent:** **\*\* Sep. 15, 2020**

(54) **AREA LIGHT**

(71) Applicant: **BLACK & DECKER INC.**, New Britain, CT (US)

(72) Inventor: **Austin Clark**, Baltimore, MD (US)

(73) Assignee: **Black & Decker Inc.**, New Britain, CT (US)

(\*\*) Term: **15 Years**

(21) Appl. No.: **29/645,339**

(22) Filed: **Apr. 25, 2018**

(51) **LOC (12) Cl.** ..... **26-02**

(52) **U.S. Cl.**  
USPC ..... **D26/45**

(58) **Field of Classification Search**  
USPC ..... D26/37-51  
CPC ..... F21L 2003/00; F21L 4/00; F21L 4/005;  
F21L 4/02; F21L 4/025; F21L 4/027;  
F21L 4/04; F21L 4/08; F21L 2005/00;  
F21L 7/00; F21L 11/00; F21L 13/00;  
F21L 13/04; F21L 13/08; F21L 14/02;  
F21L 17/00; F21L 19/00; F21L 25/00  
See application file for complete search history.

(56) **References Cited**

**U.S. PATENT DOCUMENTS**

D466,637	S	*	12/2002	Gisser	.....	D26/45
D500,155	S	*	12/2004	Lee	.....	D26/45
D532,136	S	*	11/2006	Krieger	.....	D26/45
D603,540	S	*	11/2009	Shum	.....	D26/45
D646,816	S	*	10/2011	Wang	.....	D26/45
D657,901	S	*	4/2012	Cheung Shing Hei	.....	D26/45
D658,325	S	*	4/2012	Inskeep	.....	D26/45
D662,240	S	*	6/2012	Inskeep	.....	D26/45
D711,574	S	*	8/2014	Shen	.....	D26/45
D718,481	S	*	11/2014	Lee	.....	D26/45

D748,310	S	*	1/2016	Inskeep	.....	D26/45
D754,380	S	*	4/2016	Inskeep	.....	D26/45
D754,381	S	*	4/2016	Inskeep	.....	D26/45
D759,870	S	*	6/2016	Hine	.....	D26/45
D782,091	S	*	3/2017	Inskeep	.....	D26/45
D788,341	S	*	5/2017	Inskeep	.....	D26/45

**OTHER PUBLICATIONS**

Pictures of Prior Art Porter Cable 20V max cordless LED flashlight PCC700B from <https://www.portercable.com/products/power-tools/job-site-equipment/20v-max-cordless-led-flashlight-tool-only/pcc700b>; accessed May 3, 2018.  
Pictures of Prior Art light DeWalt DCL040 from <https://www.dewalt.com/products/gear-and-equipment/job-site-lighting-and-flashlights/20v-max-led-work-light/dcl040> ; accessed May 3, 2018.

\* cited by examiner

*Primary Examiner* — Lakiya G Rogers

*Assistant Examiner* — Carissa C Fitts

(74) *Attorney, Agent, or Firm* — Stephen R. Valancius

(57) **CLAIM**

The ornamental design for an area light, as shown and described.

**DESCRIPTION**

FIG. 1 is a front perspective view of an area light showing my new design;

FIG. 2 is a rear perspective view of an area light showing my new design;

FIG. 3 is a front view thereof

FIG. 4 is a rear view thereof;

FIG. 5 is a right side view thereof;

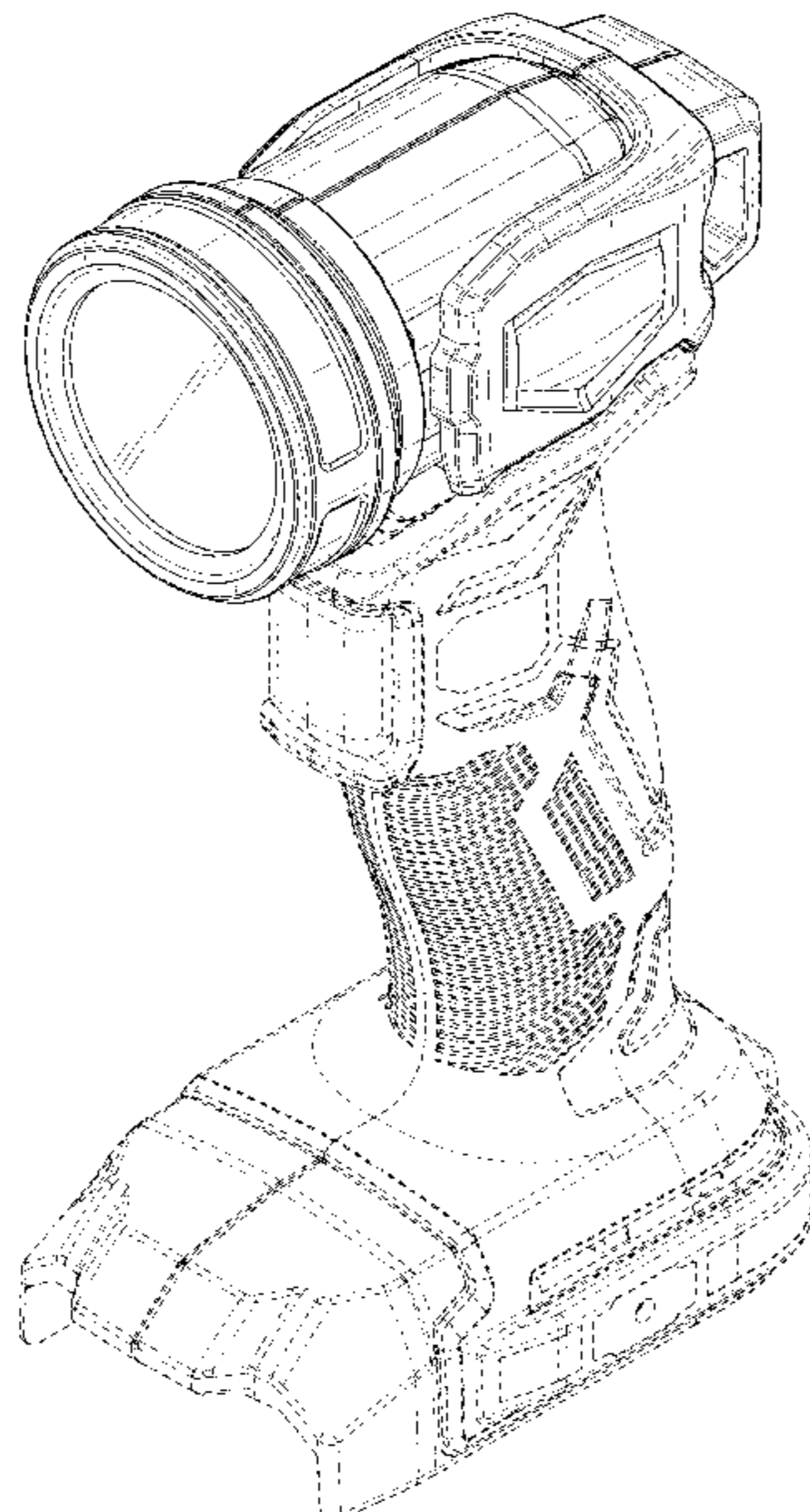
FIG. 6 is a left side view thereof;

FIG. 7 is a top plan view thereof; and,

FIG. 8 is a bottom plan view thereof.

In the above drawings, the broken lines and the areas within the broken lines form no part of the claimed design.

**1 Claim, 8 Drawing Sheets**



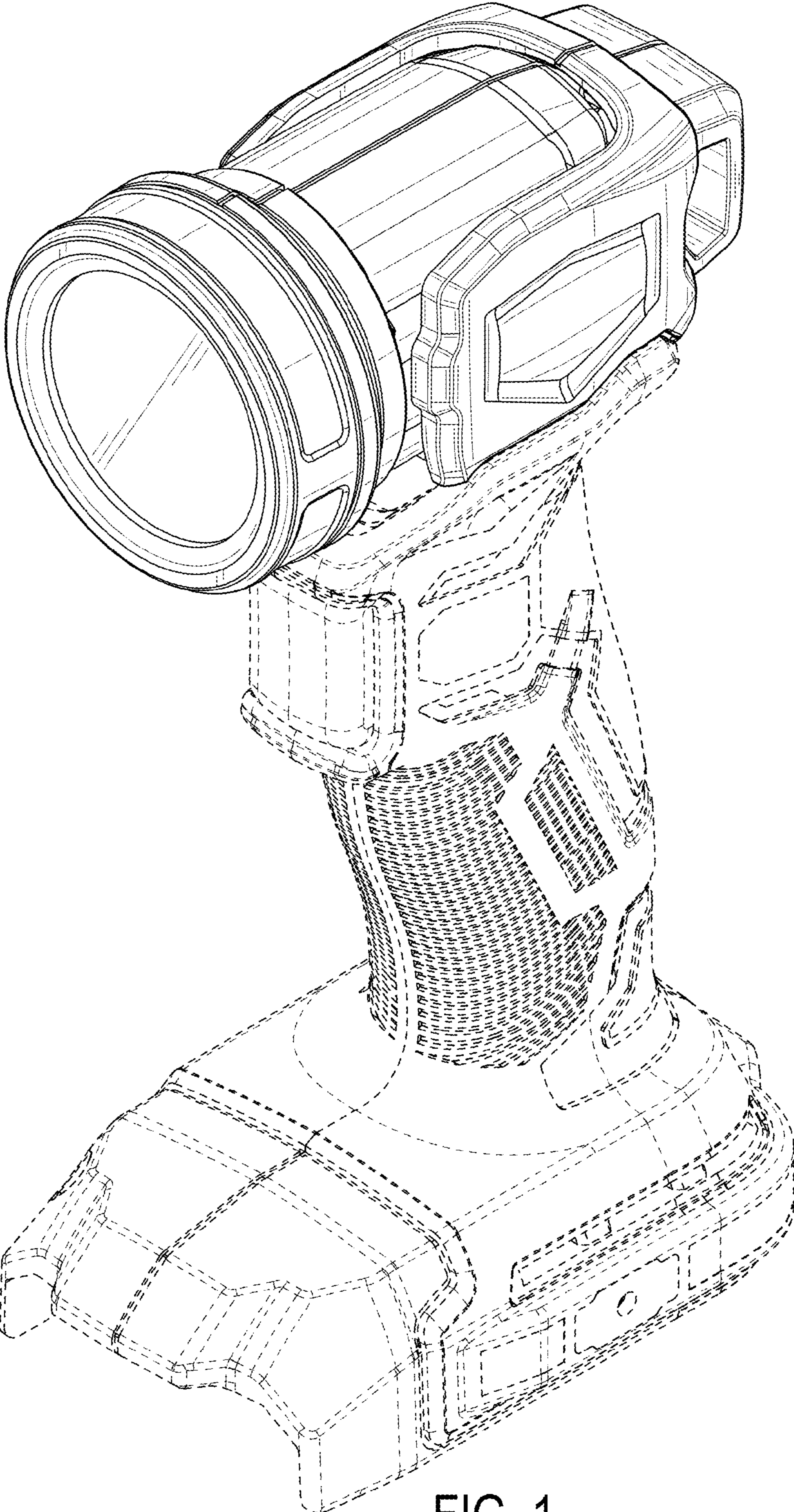


FIG. 1

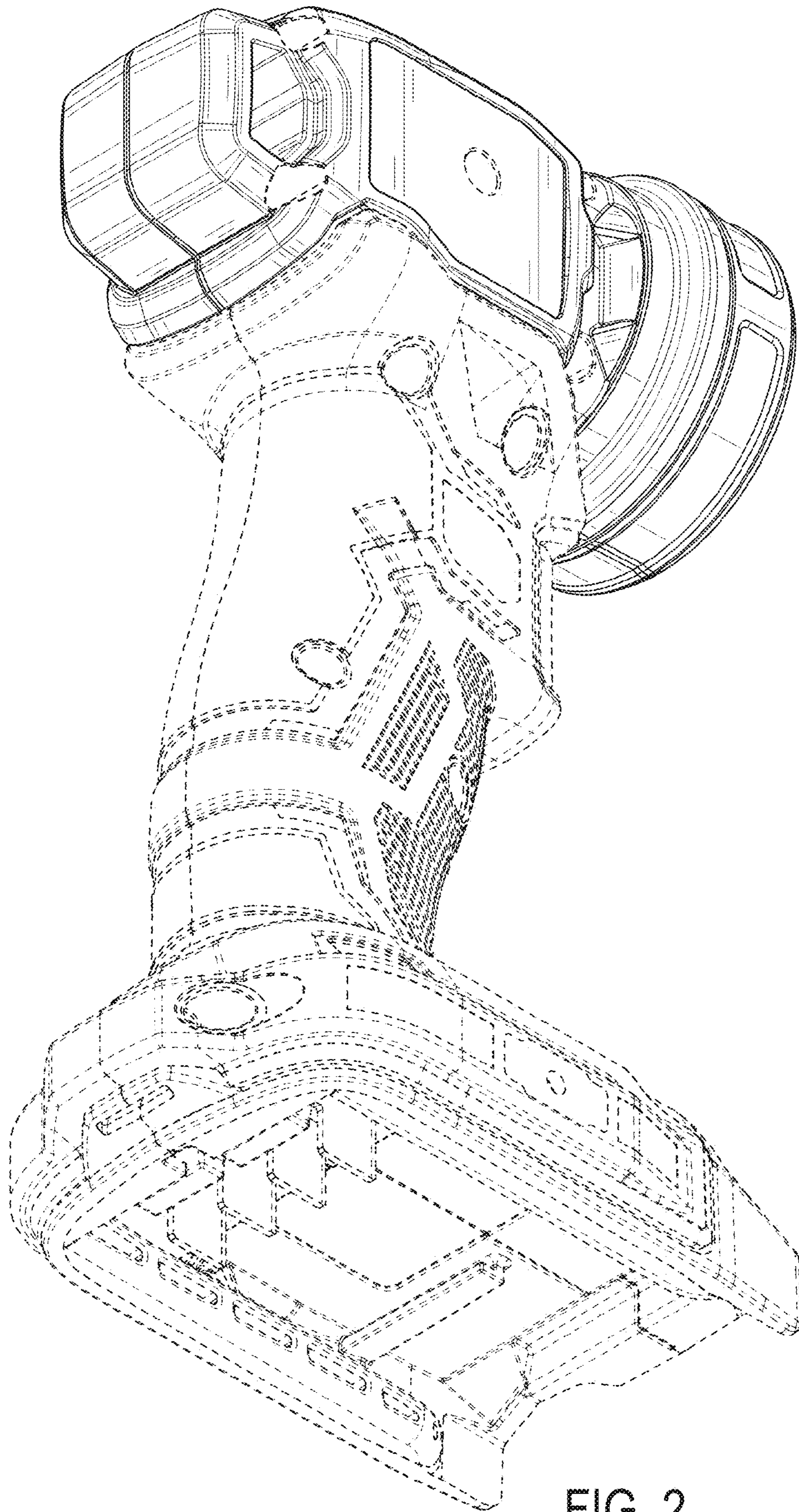


FIG. 2

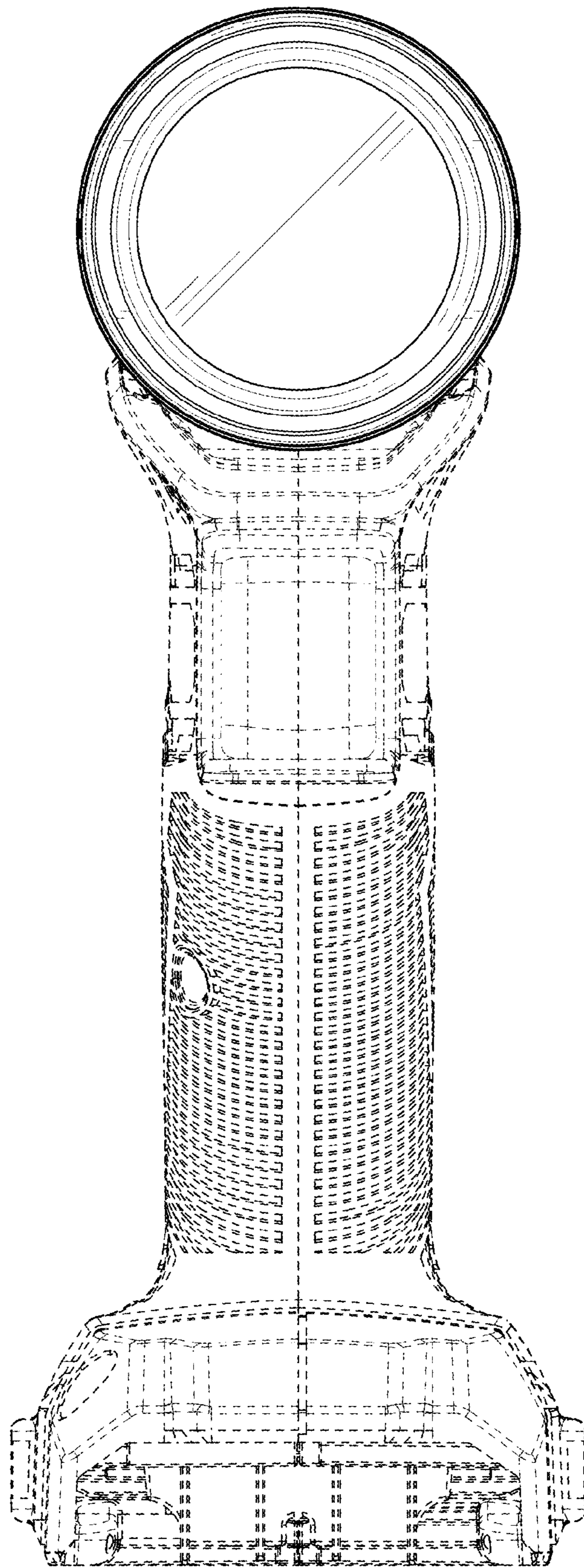


FIG. 3

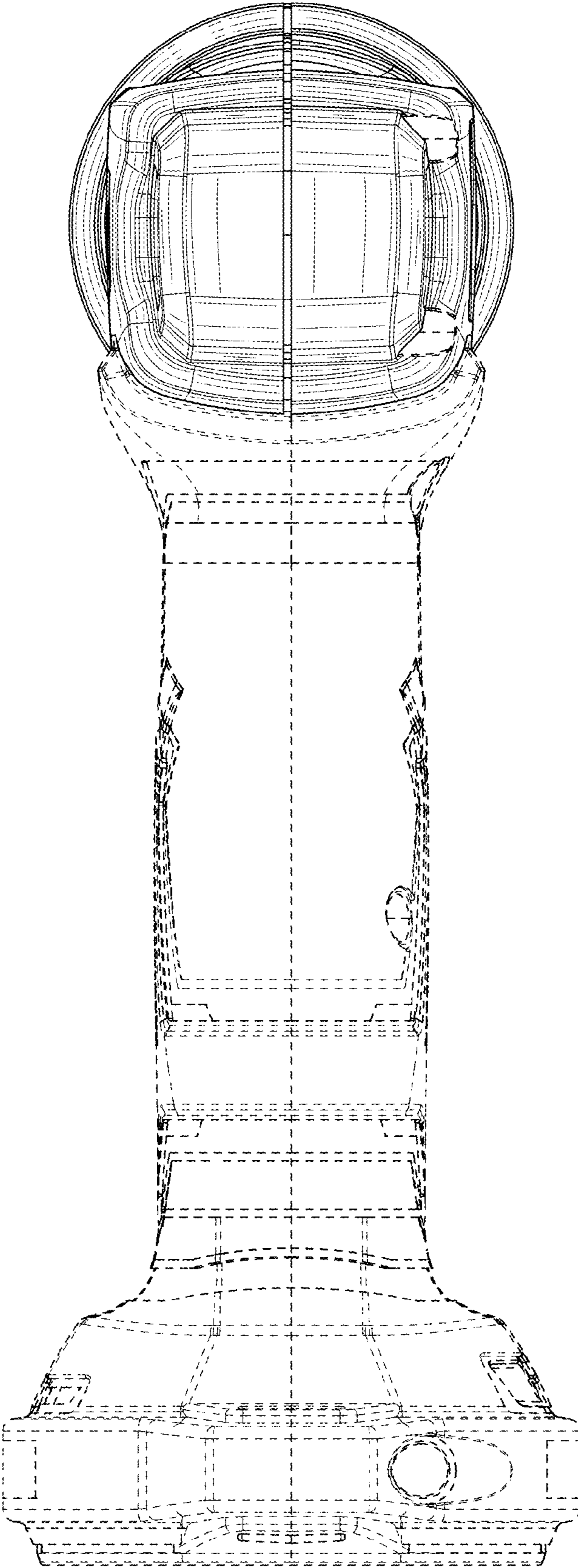


FIG. 4

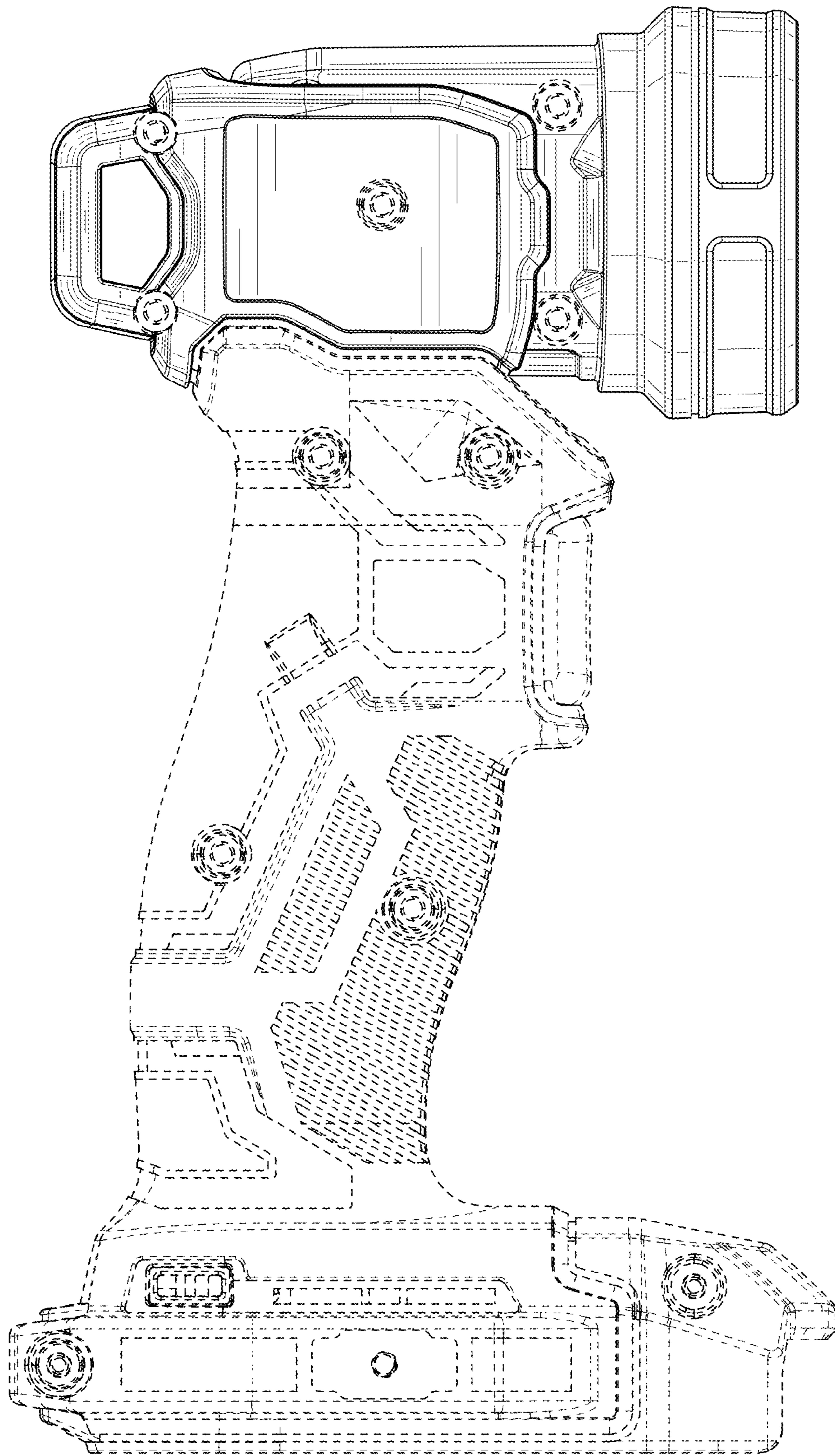


FIG. 5

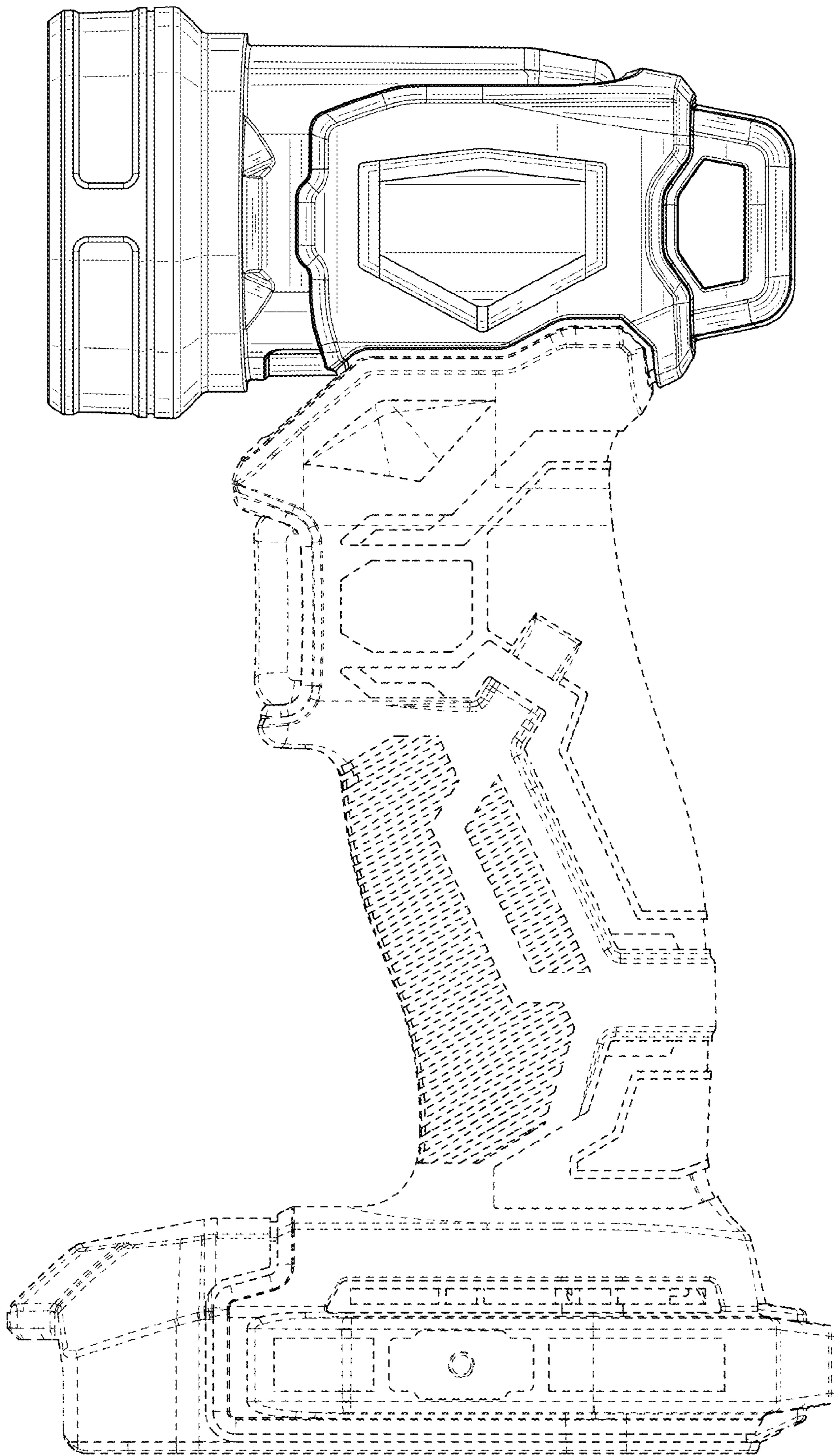


FIG. 6

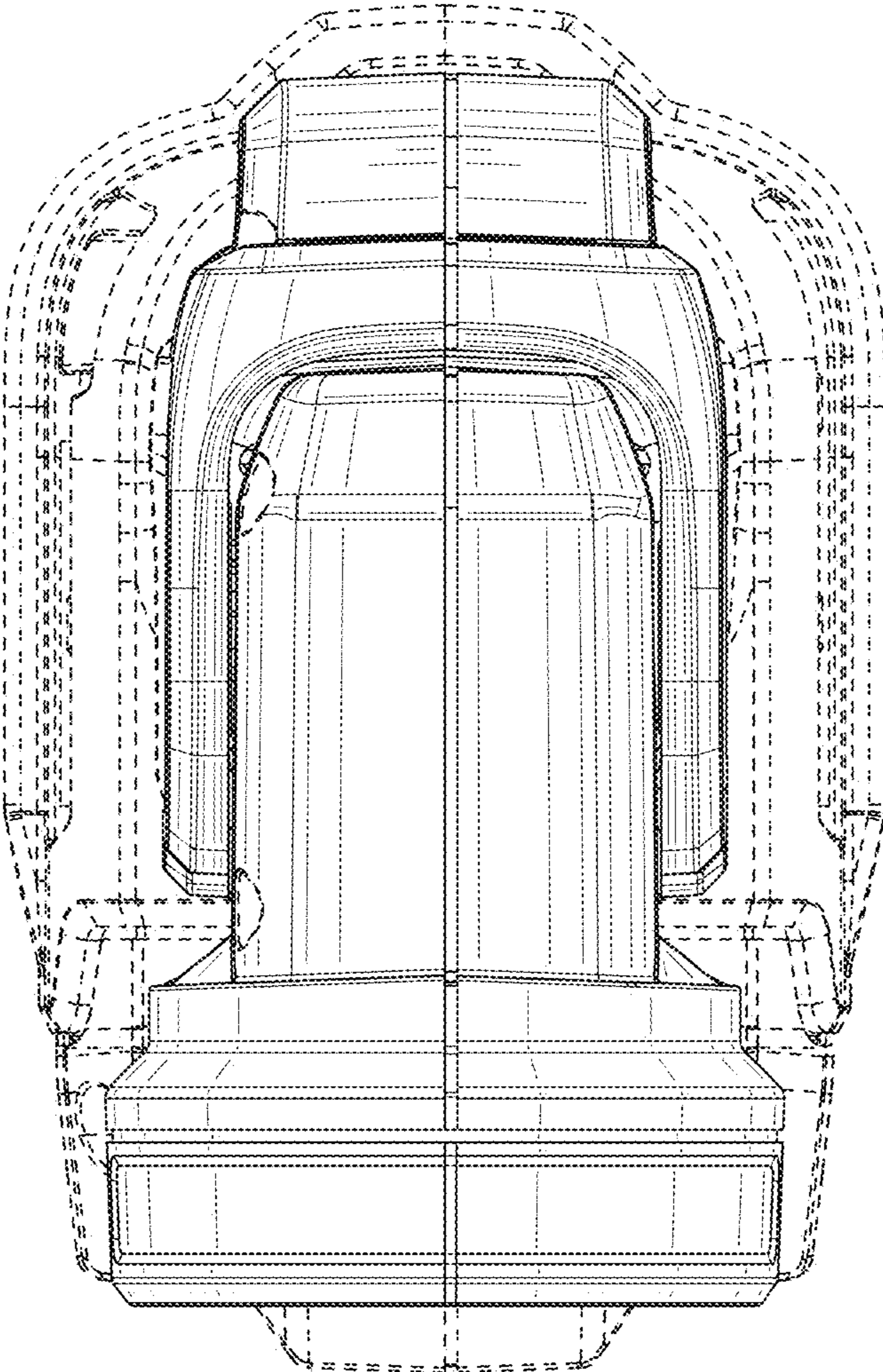


FIG. 7



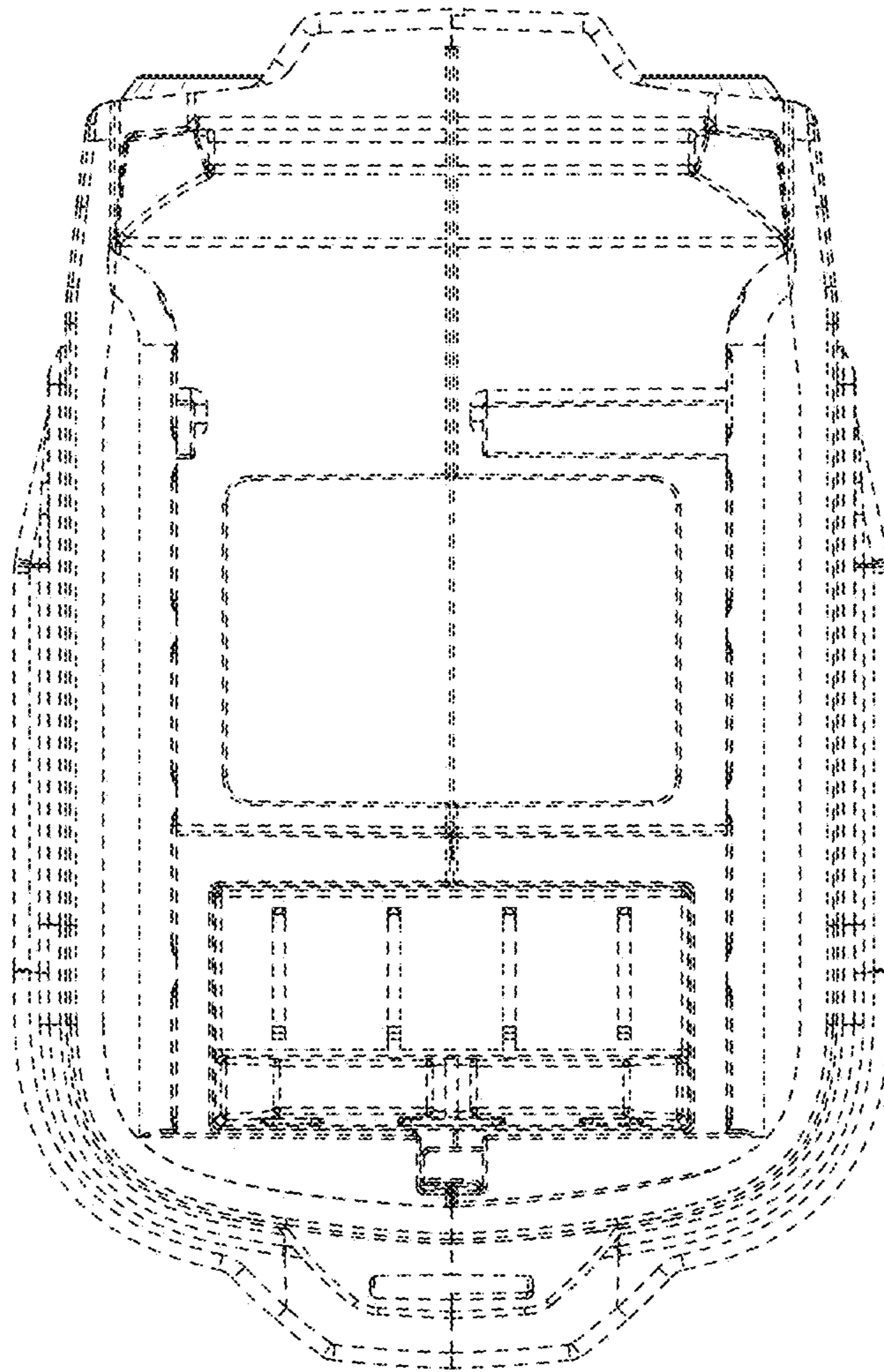


FIG. 8