

US00D896417S

(12) **United States Design Patent**  
**Huang**

(10) **Patent No.:** **US D896,417 S**

(45) **Date of Patent:** **\*\* Sep. 15, 2020**

(54) **LIGHTING DEVICE**

(71) Applicant: **Yu-Ting Huang**, Taichung (TW)

(72) Inventor: **Yu-Ting Huang**, Taichung (TW)

(\*\*) Term: **15 Years**

(21) Appl. No.: **29/660,226**

(22) Filed: **Aug. 20, 2018**

(51) **LOC (12) Cl.** ..... **26-02**

(52) **U.S. Cl.**  
USPC ..... **D26/37**

(58) **Field of Classification Search**

USPC ... D26/37-38, 40-42, 44, 46, 49-50, 61, 75  
CPC ..... F21L 4/04; F21L 4/08; F21L 4/00; F21L  
4/02; F21S 4/00; F21S 4/10; F21S 4/15;  
F21S 4/26; F21S 2/00; F21S 8/003; F21S  
8/043; F21V 11/02; F21V 11/06; F21V  
17/10; F21V 17/16; F21V 21/008; F21V  
21/00; F21V 21/08; F21V 21/14; F21V  
21/30; F21V 23/00; F21V 23/04; F21V  
33/00; F21V 14/02; F21V 14/00; F21V  
14/06; F21W 2121/00; F21W 2121/04;  
F21Y 2115/10

See application file for complete search history.

(56) **References Cited**

**U.S. PATENT DOCUMENTS**

7,152,997 B1 \* 12/2006 Kovacik ..... F21V 21/06  
362/249.05  
D549,859 S \* 8/2007 Kovacik ..... D26/37  
D588,736 S \* 3/2009 Smith ..... D26/63  
D597,693 S \* 8/2009 Kauffman ..... D26/63  
D638,153 S \* 5/2011 Christ ..... D26/42  
D659,867 S \* 5/2012 Zhan ..... D26/37  
D666,345 S \* 8/2012 Wang ..... D26/63  
D677,815 S \* 3/2013 Zhan ..... D26/37  
D679,845 S \* 4/2013 Huang ..... D26/63  
D700,382 S \* 2/2014 Christ ..... D26/41  
D703,354 S \* 4/2014 Kotsis ..... D26/37

D703,355 S \* 4/2014 Kotsis ..... D26/37  
D736,442 S \* 8/2015 Kovacik ..... D26/37  
D772,460 S \* 11/2016 Saboo ..... D26/63  
D776,321 S \* 1/2017 Saboo ..... D26/63  
D776,322 S \* 1/2017 Saboo ..... D26/63

(Continued)

*Primary Examiner* — Sheryl Lane

*Assistant Examiner* — Stacey L Hopkins

(74) *Attorney, Agent, or Firm* — WPAT, PC

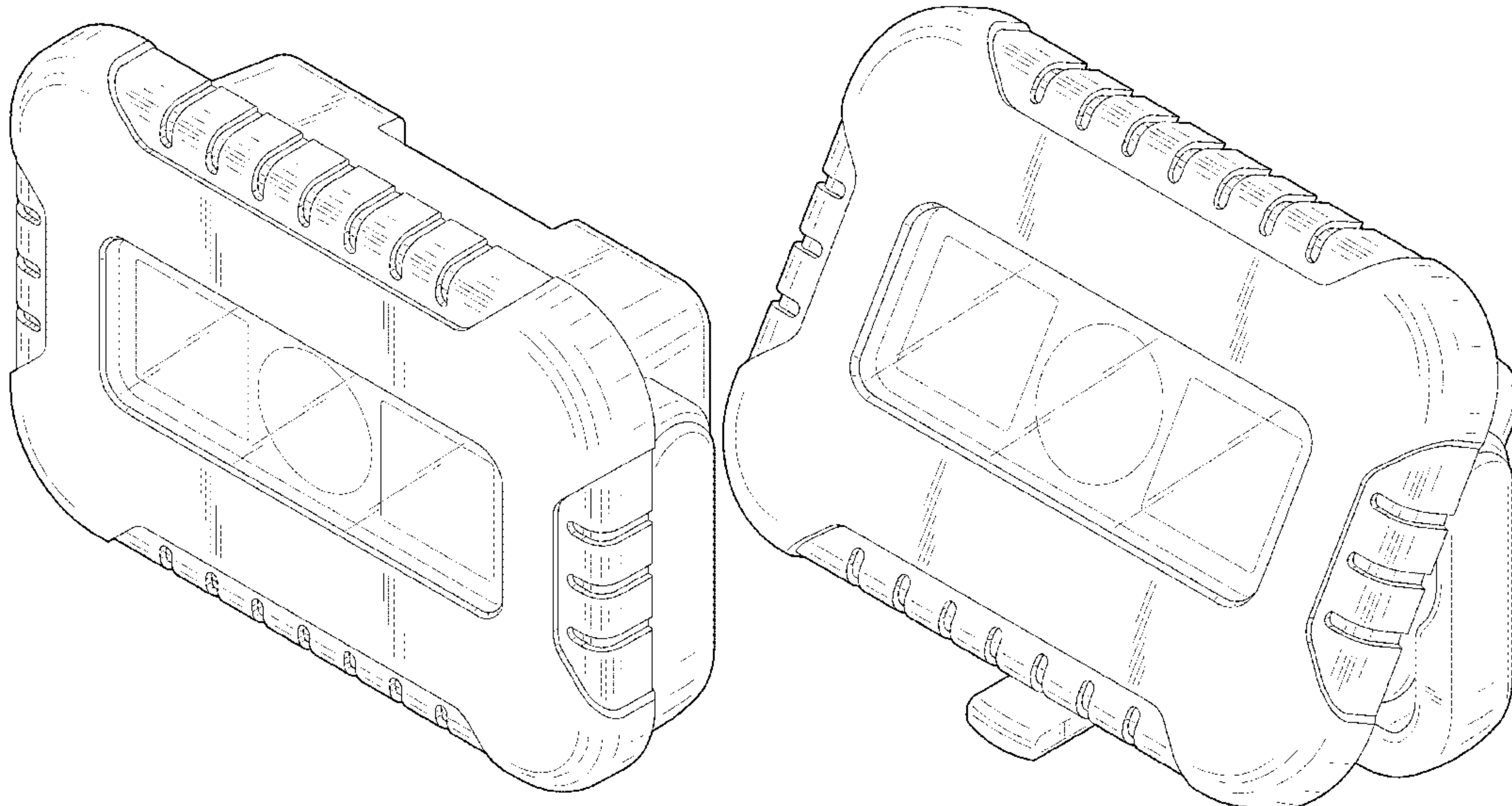
(57) **CLAIM**

The ornamental design for a lighting device, as shown and described.

**DESCRIPTION**

FIG. 1 is a perspective view of the first embodiment of a lighting device showing my new design;  
FIG. 2 is a front elevational view thereof;  
FIG. 3 is a rear elevational view thereof;  
FIG. 4 is a left side elevational view thereof;  
FIG. 5 is a right side elevational view thereof;  
FIG. 6 is a top plan view thereof;  
FIG. 7 is a bottom plan view thereof;  
FIG. 8 is another perspective view thereof.  
FIG. 9 is a perspective view of the second embodiment of a lighting device showing my new design;  
FIG. 10 is a front elevational view of the second embodiment;  
FIG. 11 is a rear elevational view of the second embodiment;  
FIG. 12 is a left-side elevational view of the second embodiment;  
FIG. 13 is a right-side elevational view of the second embodiment;  
FIG. 14 is a top plan view of the second embodiment;  
FIG. 15 is a bottom plan view of the second embodiment;  
and,  
FIG. 16 is another perspective view of the second embodiment.

**1 Claim, 16 Drawing Sheets**



(56)

## References Cited

## U.S. PATENT DOCUMENTS

D779,094 S \* 2/2017 Xu ..... D26/63  
D779,097 S \* 2/2017 Xu ..... D26/63  
D780,969 S \* 3/2017 Zhu ..... D26/63  
D781,480 S \* 3/2017 Zhan ..... D26/63  
D797,338 S \* 9/2017 Wang ..... D26/63  
D799,094 S \* 10/2017 Li ..... D26/63  
D835,315 S \* 12/2018 Zhu ..... D26/44  
D844,867 S \* 4/2019 Sherry ..... D26/37  
D854,212 S \* 7/2019 Yuan ..... D26/63  
D854,718 S \* 7/2019 Yuan ..... D26/63  
D855,233 S \* 7/2019 Qiu ..... D26/74  
D855,234 S \* 7/2019 Qiu ..... D26/74  
D855,854 S \* 8/2019 Cao ..... D26/63  
10,436,435 B2 \* 10/2019 Wu ..... F21V 21/06  
D866,027 S \* 11/2019 Cacciabeve ..... D26/37  
D875,284 S \* 2/2020 Cacciabeve ..... D26/37  
D877,948 S \* 3/2020 Thompson ..... D26/37  
D880,036 S \* 3/2020 Qiu ..... D26/63  
10,578,285 B2 \* 3/2020 Li ..... F21V 21/0824  
D880,743 S \* 4/2020 Qiu ..... D26/63  
D882,136 S \* 4/2020 Huang ..... D26/39  
D882,838 S \* 4/2020 Mao ..... D26/37  
D883,544 S \* 5/2020 Proeber ..... D26/42  
D883,545 S \* 5/2020 Zhang ..... D26/44  
D890,395 S \* 7/2020 Bertken ..... D26/37  
2010/0232147 A1 \* 9/2010 Bryant ..... F21V 23/0407  
362/183  
2015/0198310 A1 \* 7/2015 Scarlata ..... F21V 29/507  
362/249.01  
2017/0108197 A1 \* 4/2017 Cacciabeve ..... F21V 15/04  
2019/0353332 A1 \* 11/2019 You ..... F21V 23/0414

\* cited by examiner

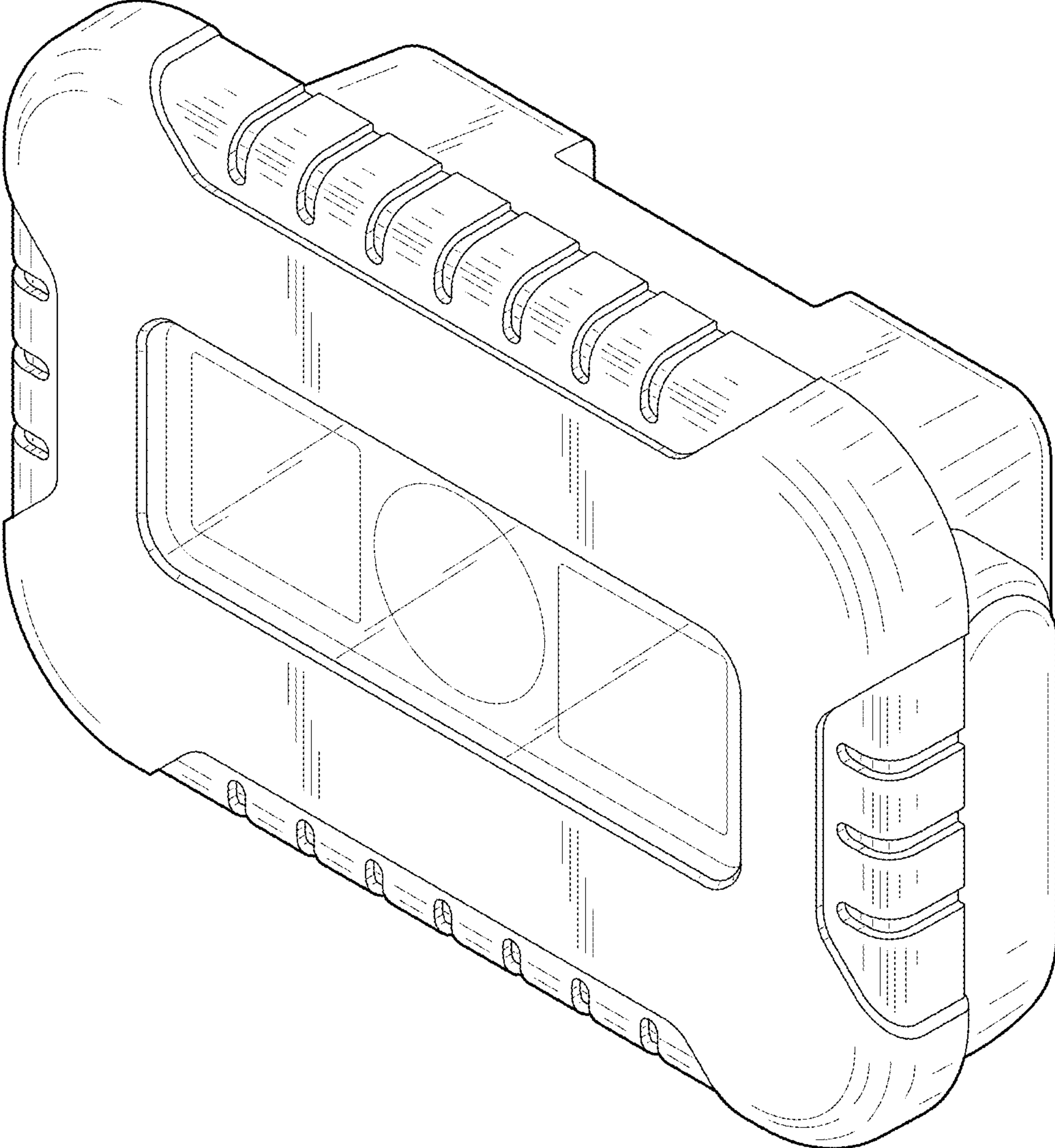


FIG. 1



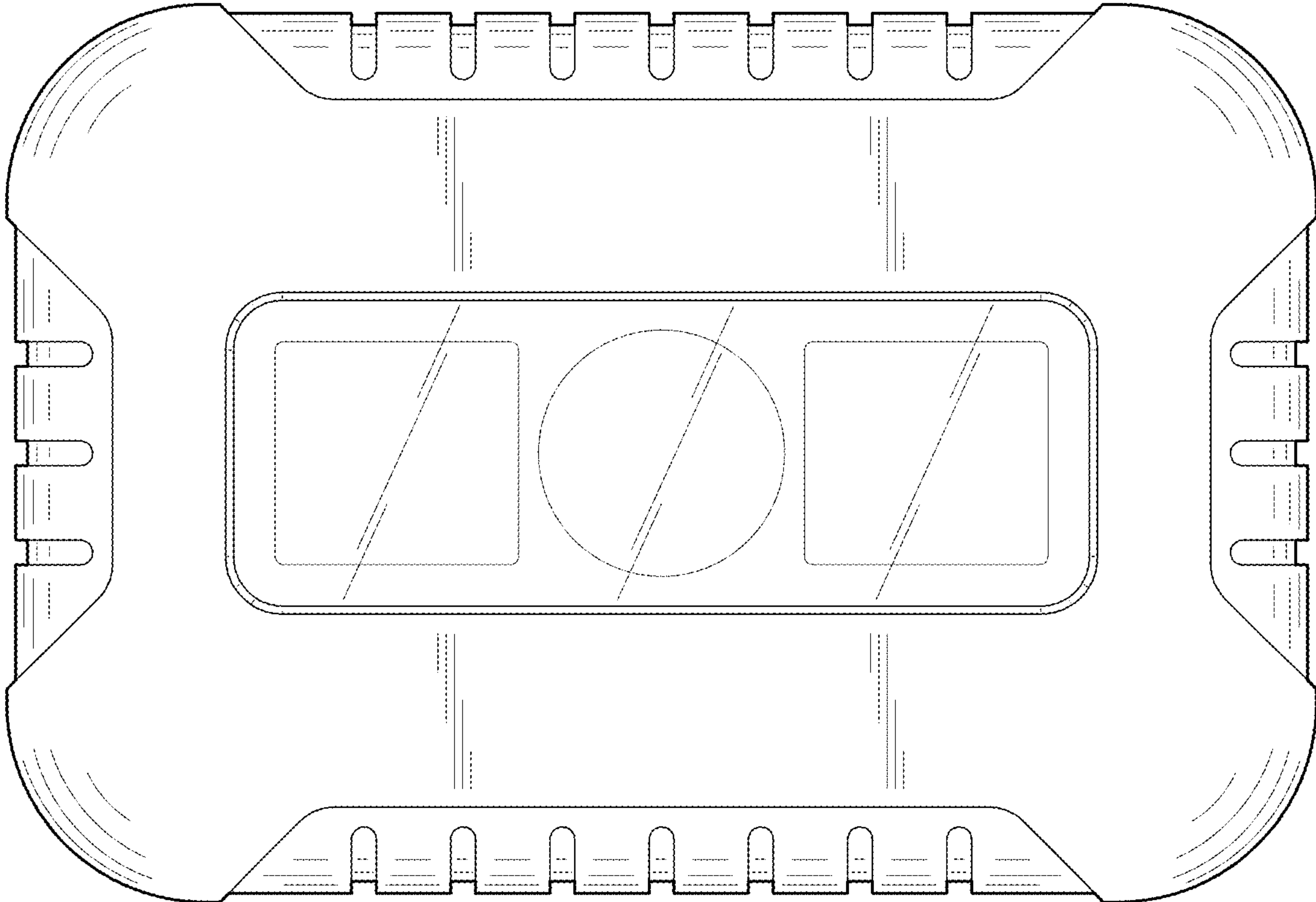


FIG. 2

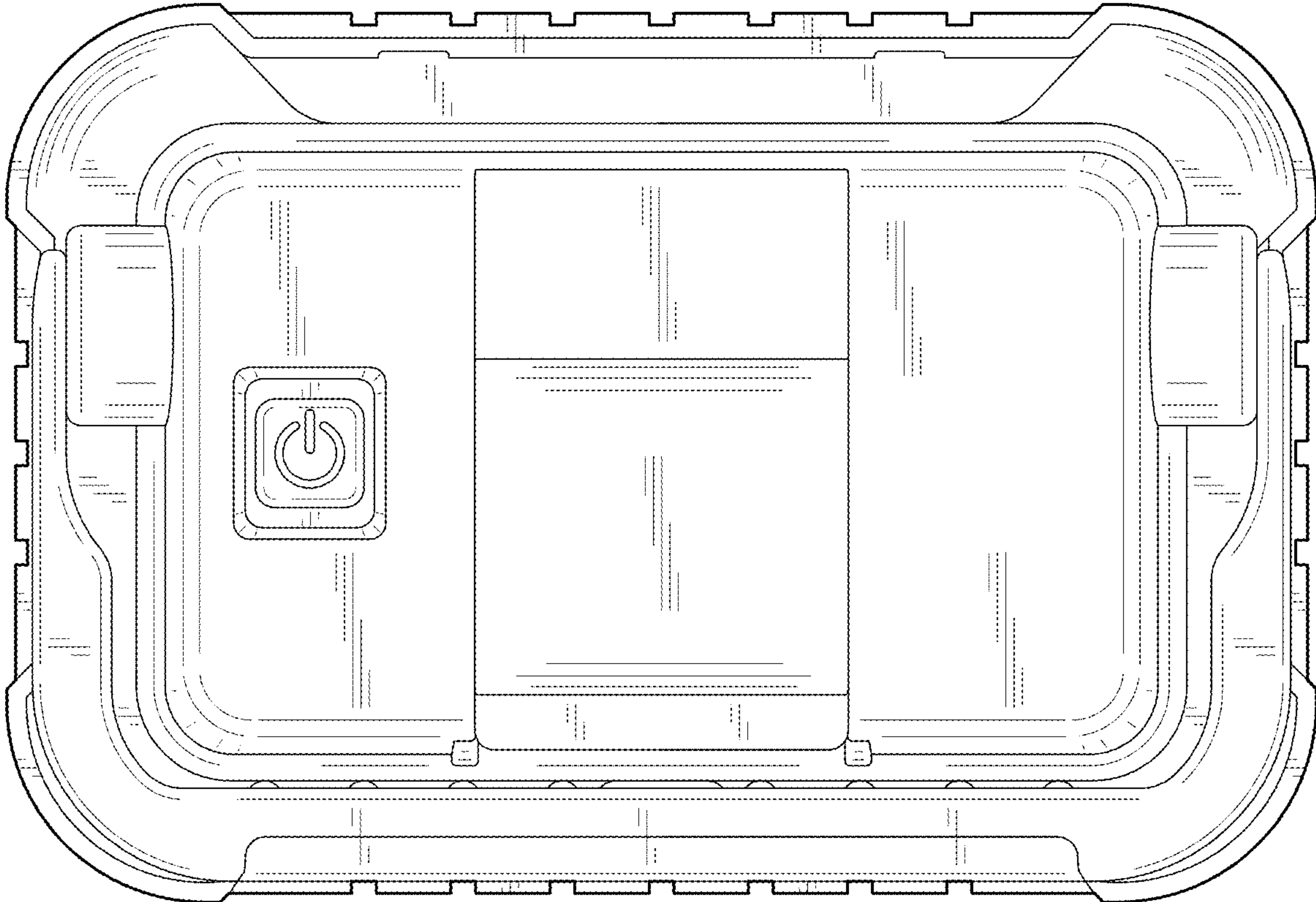


FIG. 3

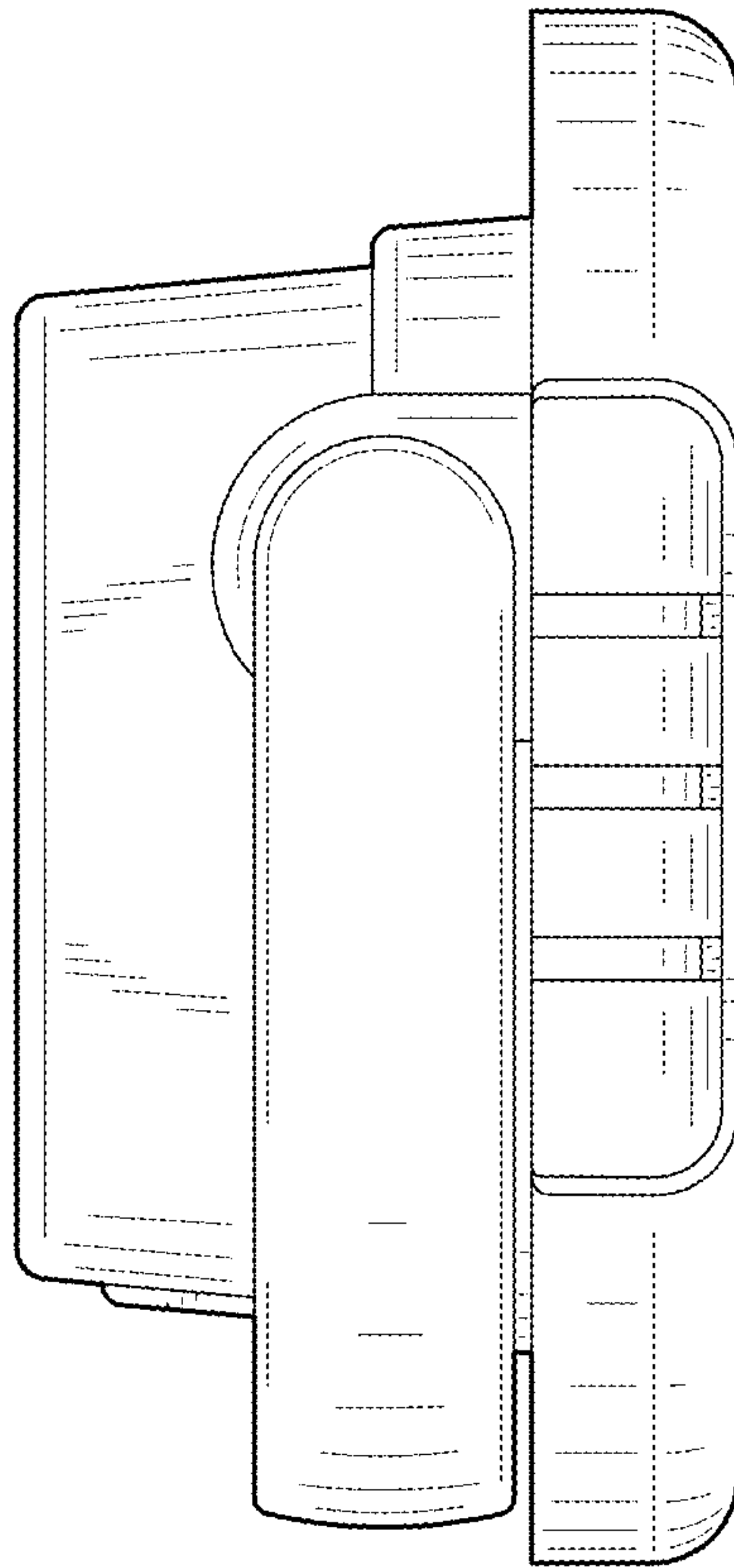


FIG. 4

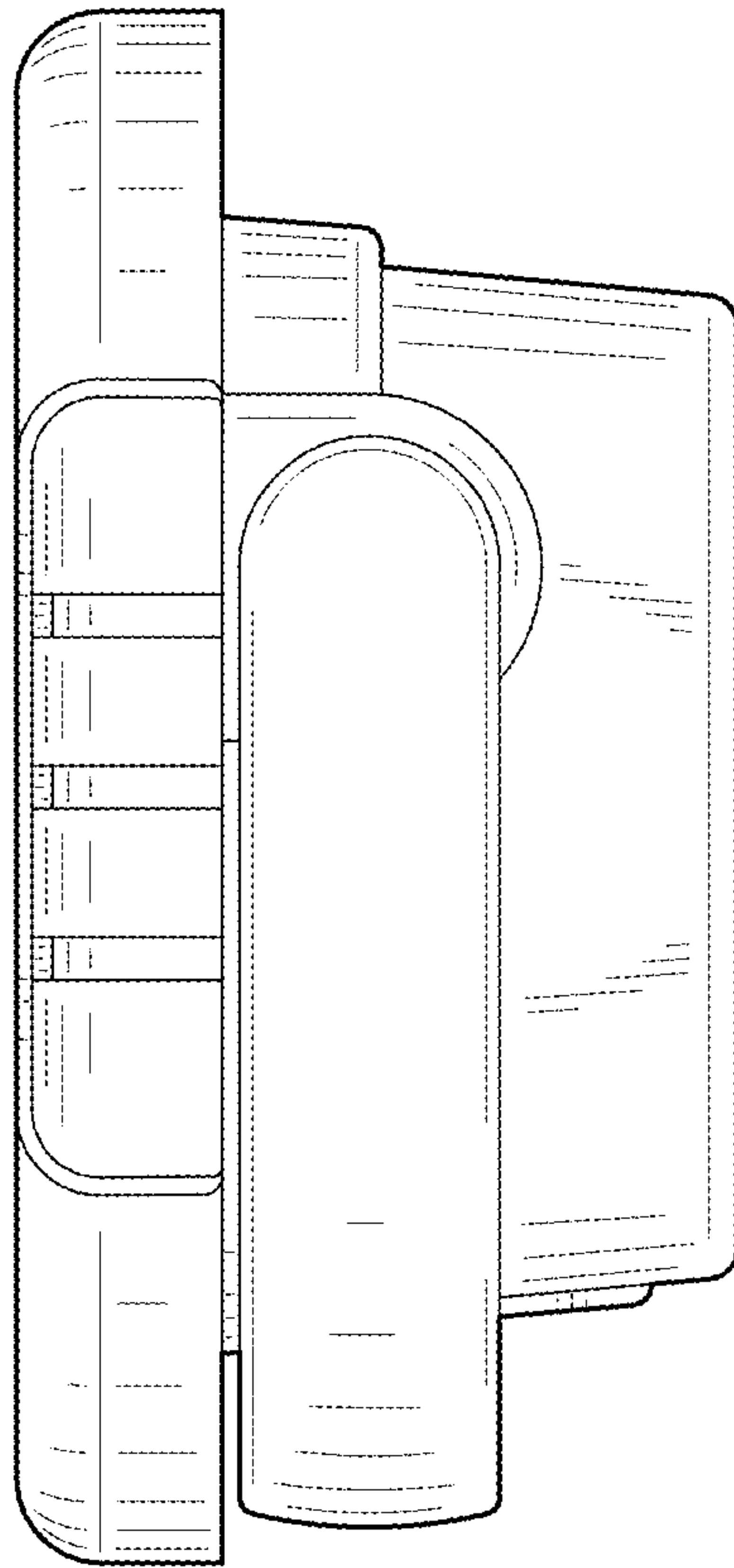


FIG. 5

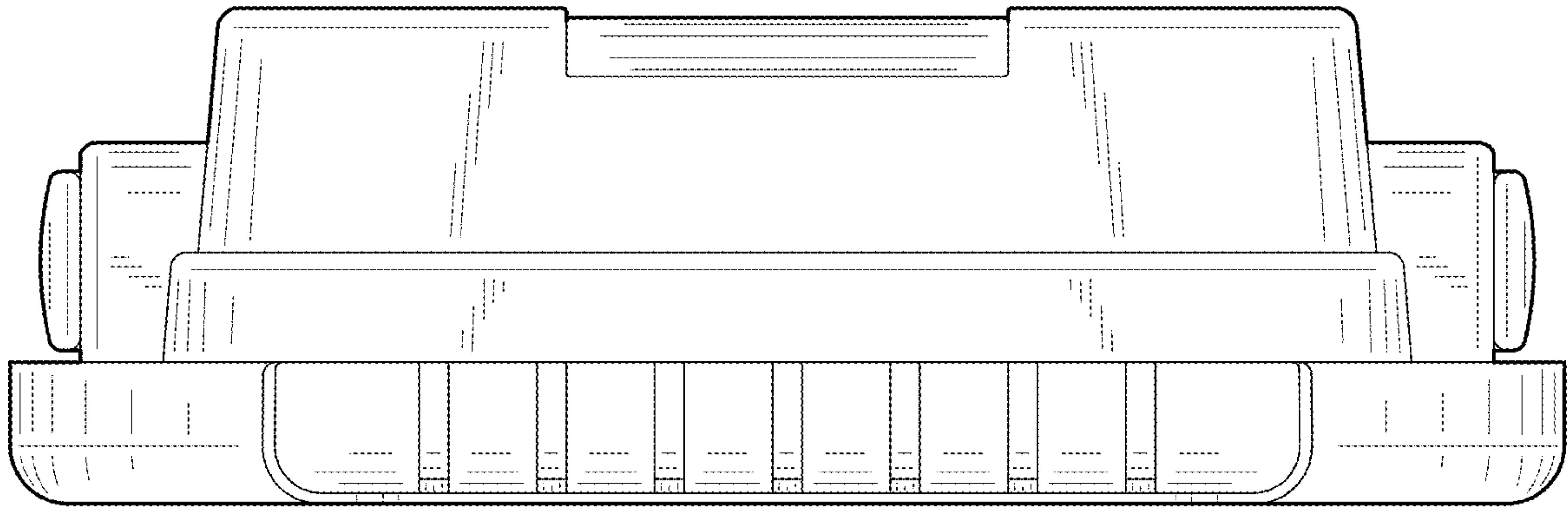


FIG. 6



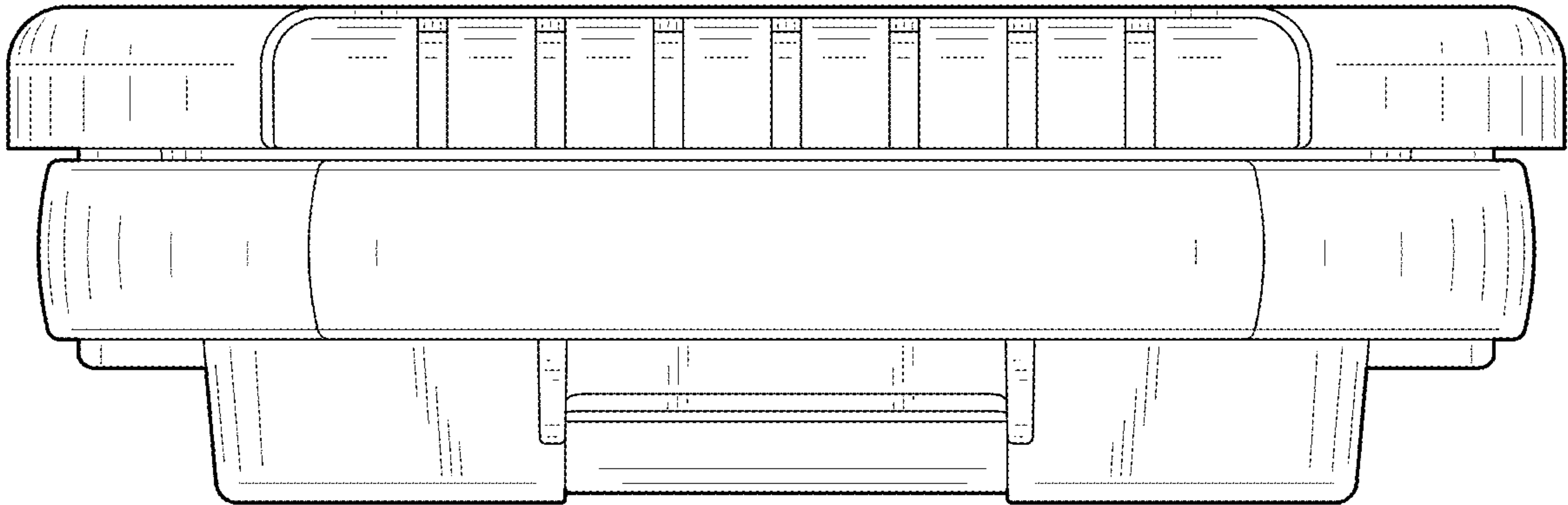


FIG. 7

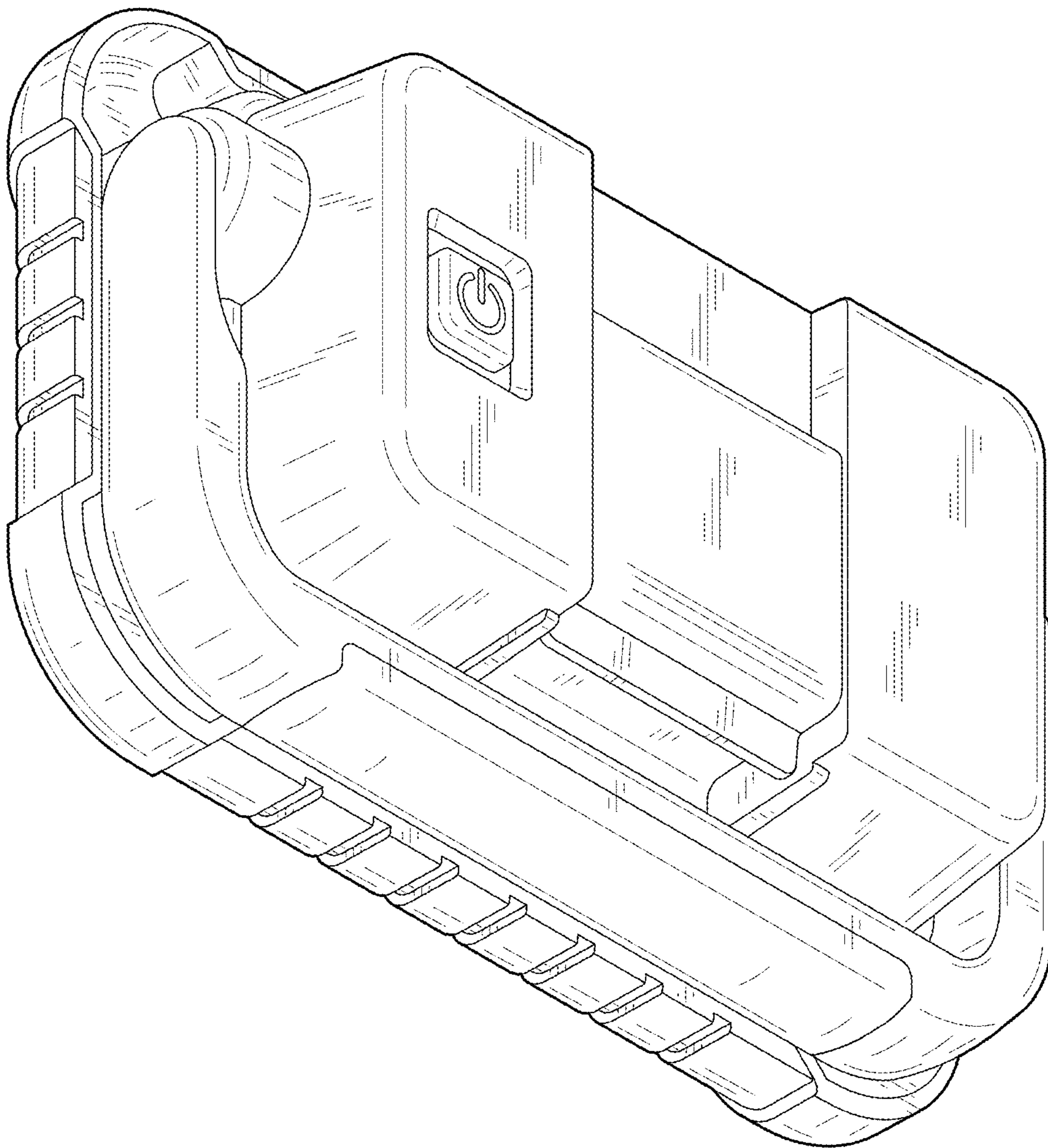


FIG. 8

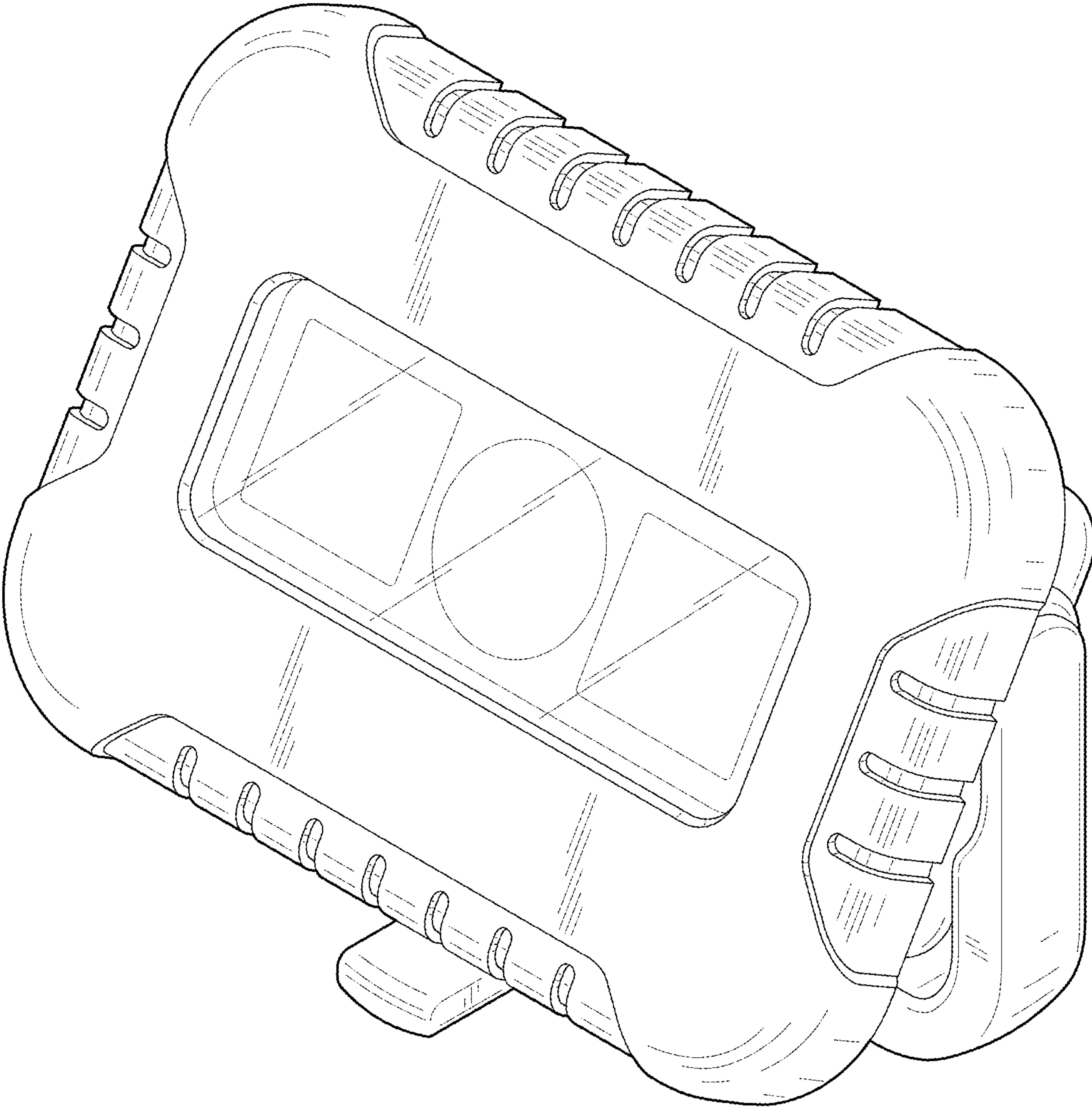


FIG. 9

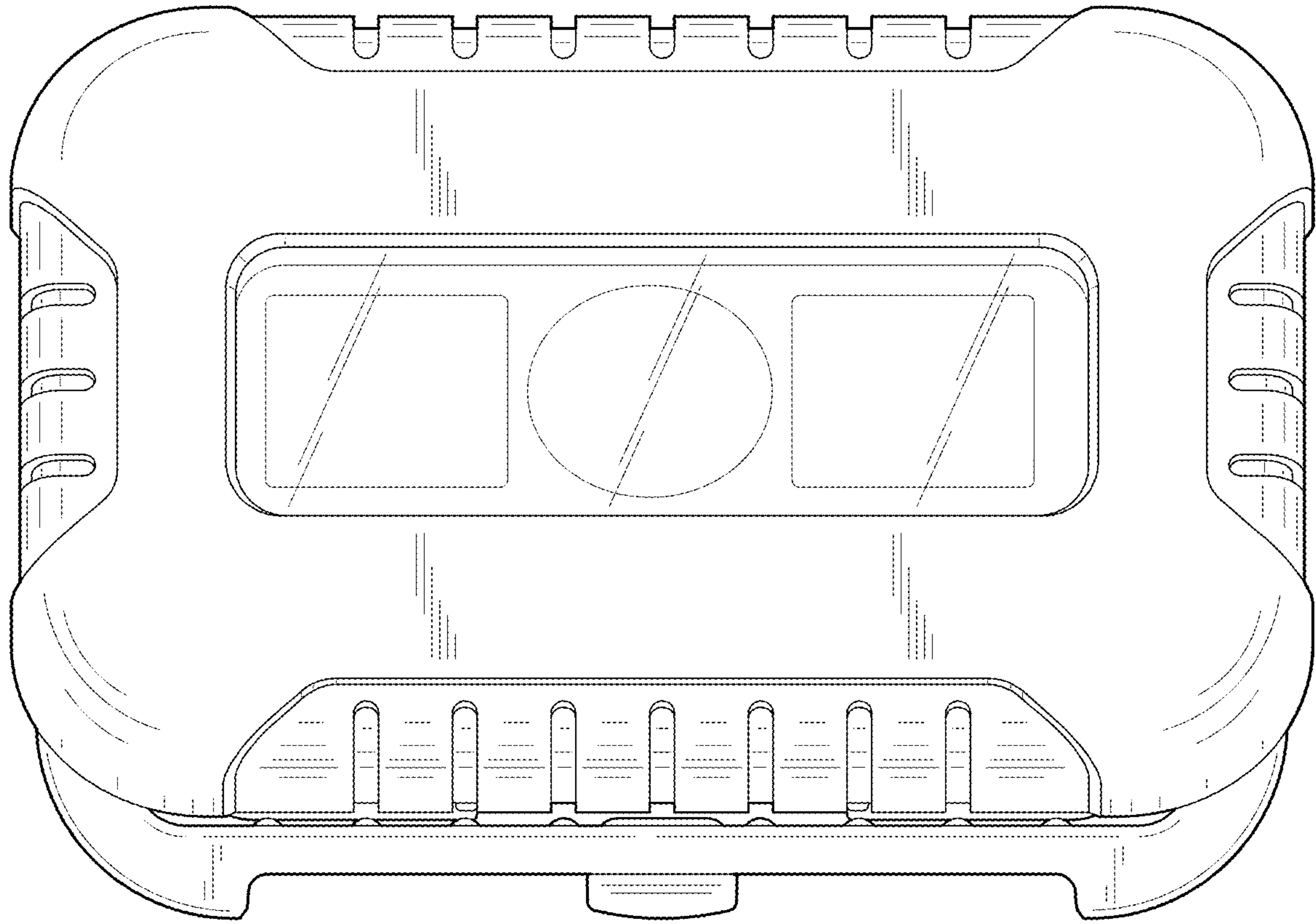


FIG. 10

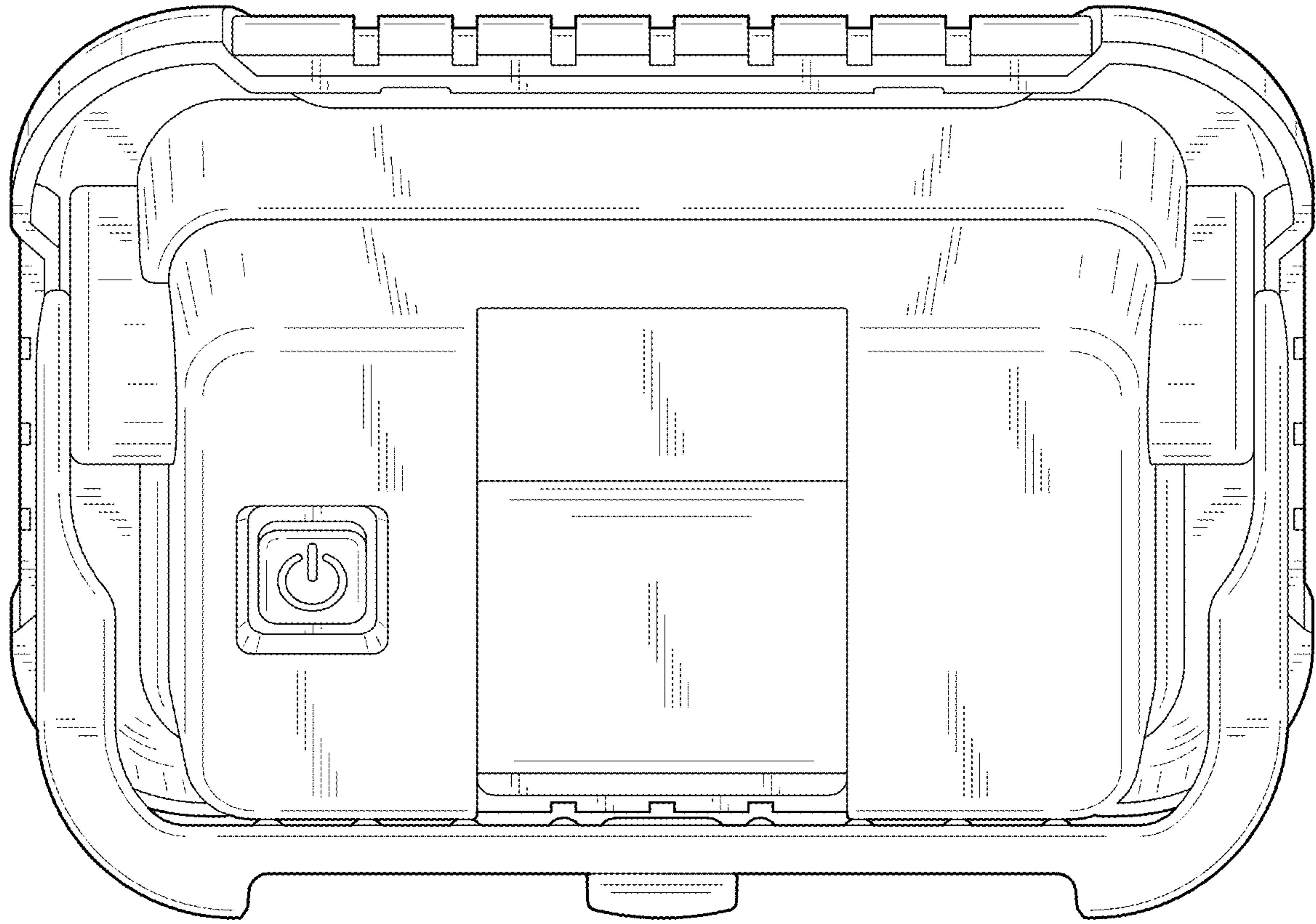


FIG. 11



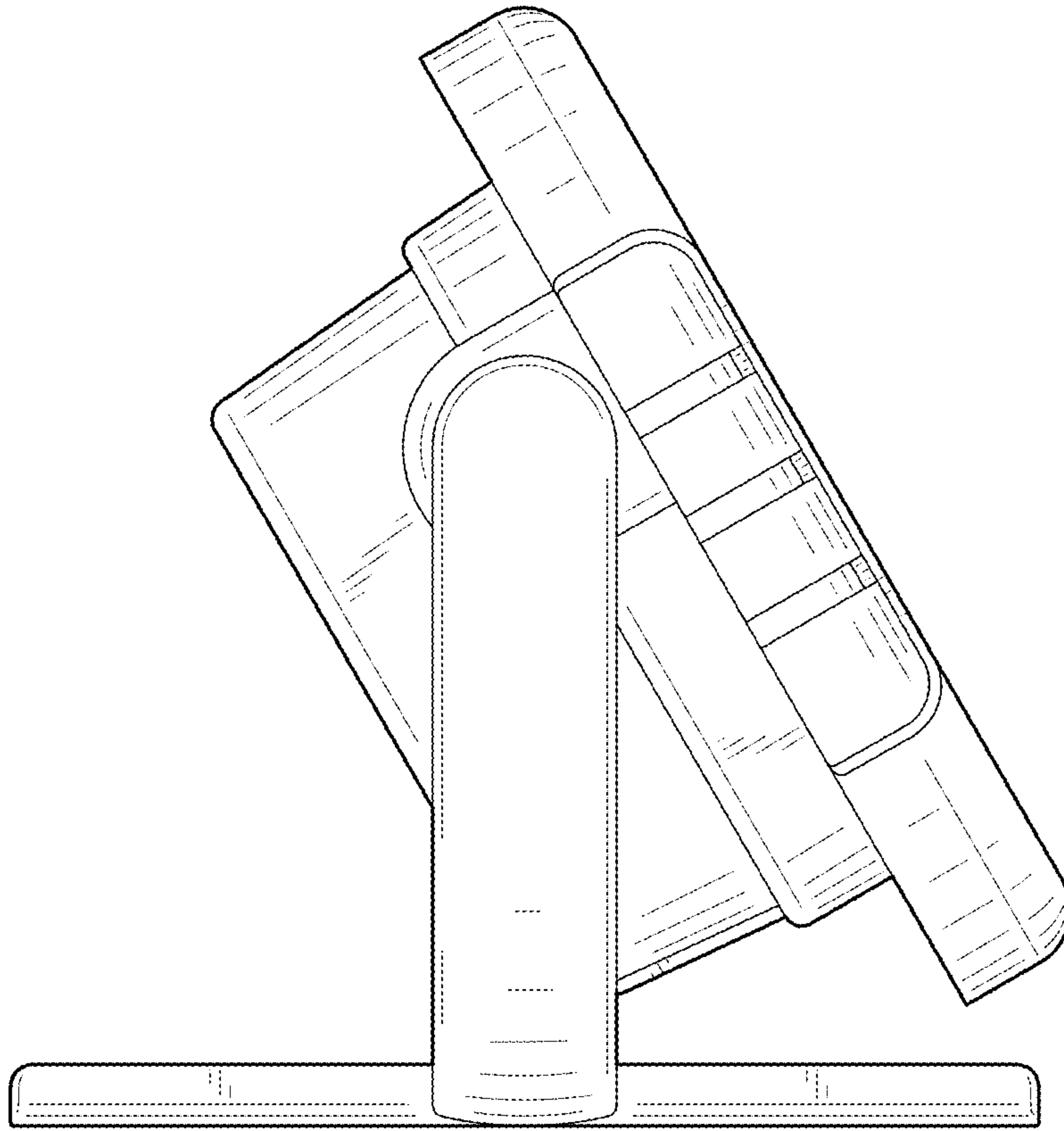


FIG. 12

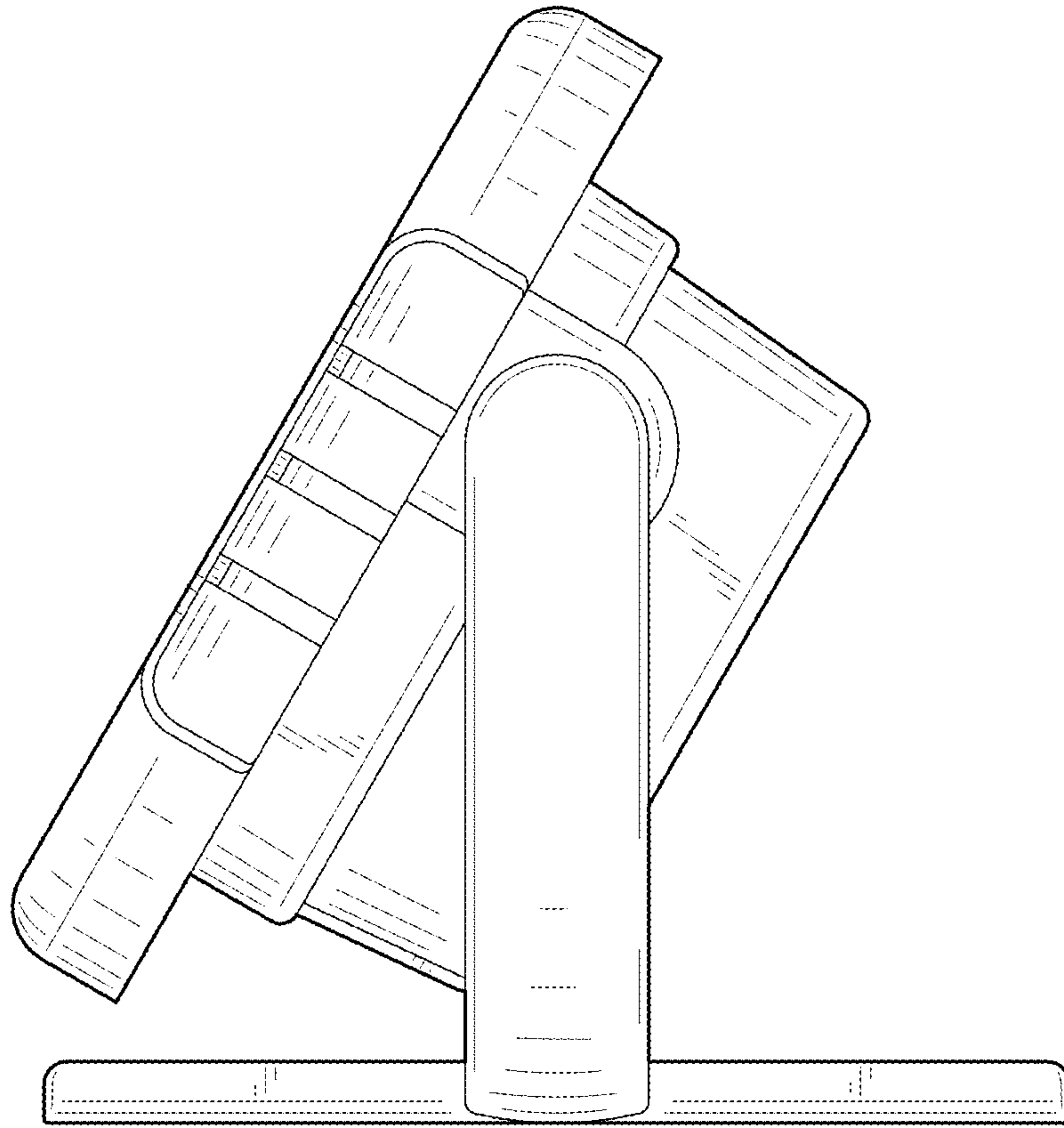


FIG. 13

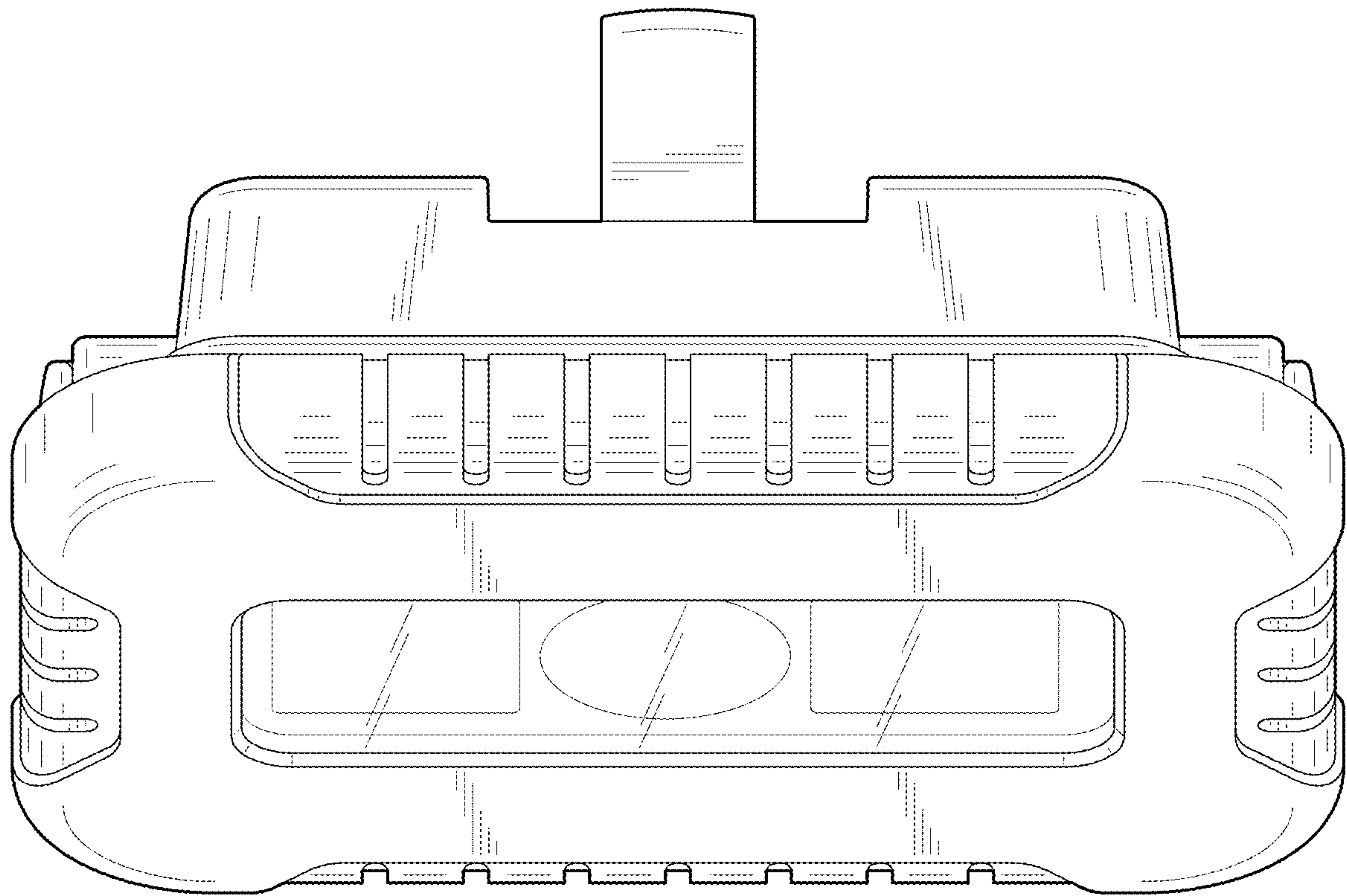


FIG. 14

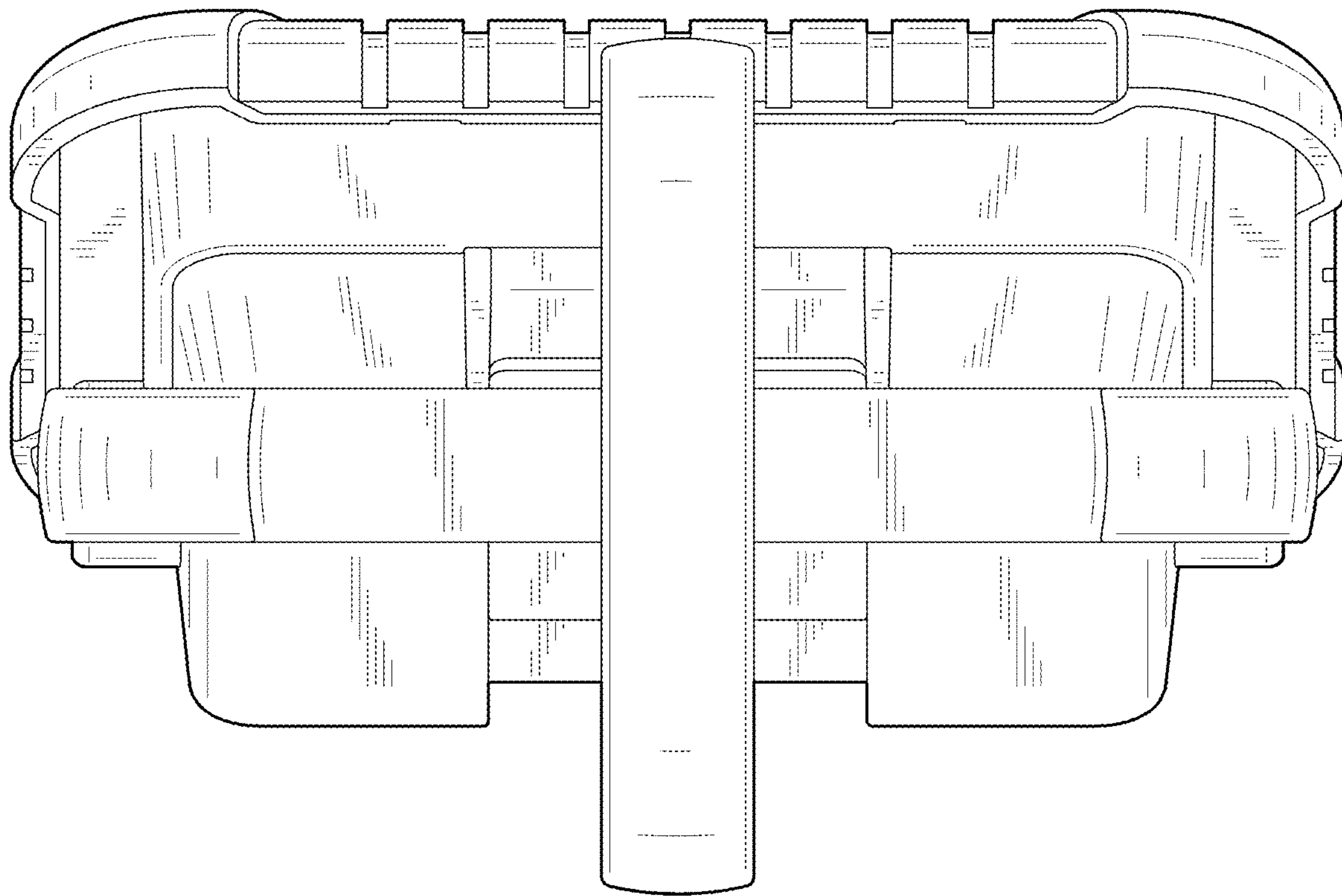


FIG. 15

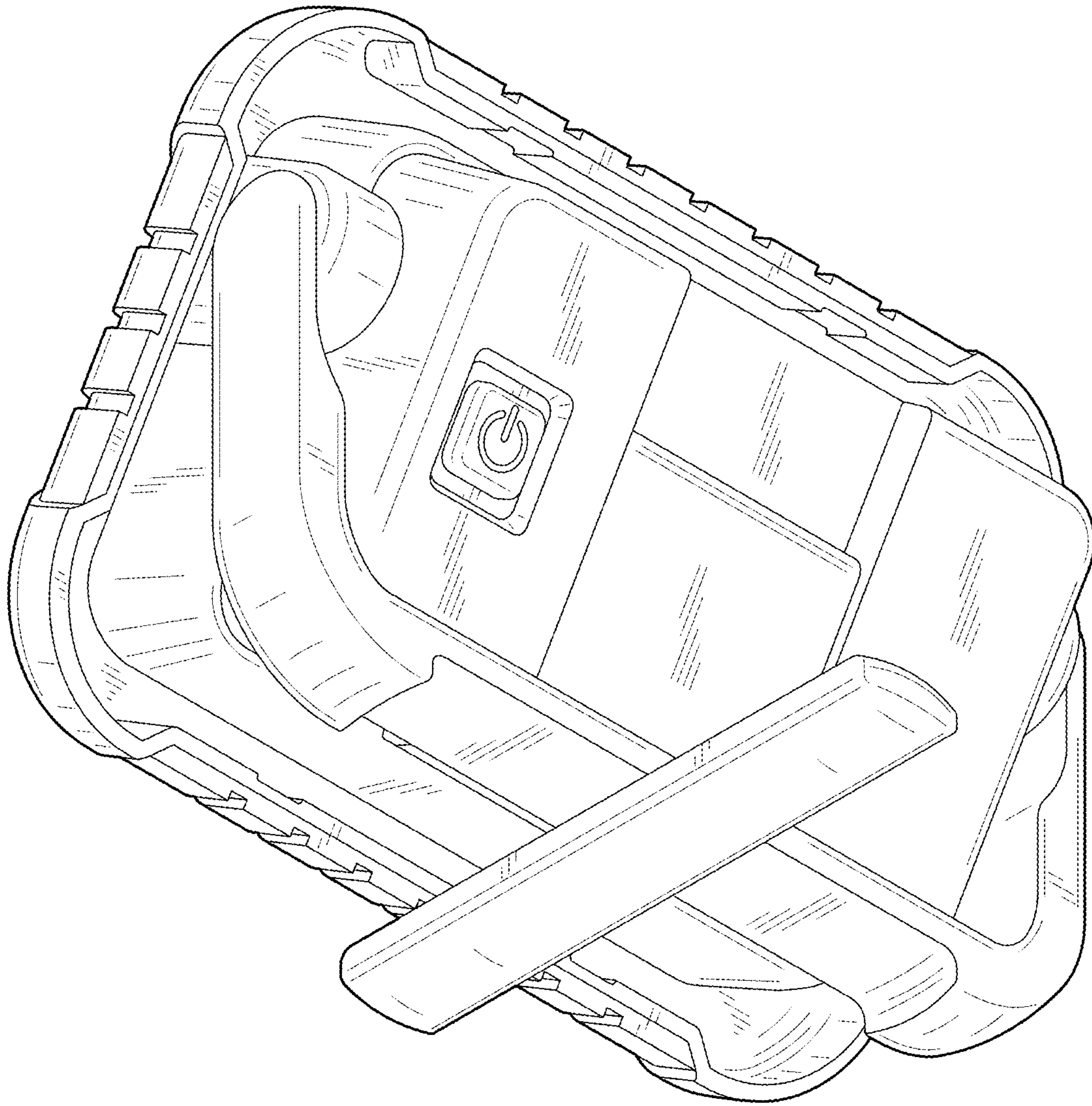


FIG. 16