



US00D896416S

(12) **United States Design Patent**
Lin

(10) **Patent No.:** **US D896,416 S**

(45) **Date of Patent:** **** Sep. 15, 2020**

- (54) **AUTOMOBILE HEADLIGHT**
- (71) Applicant: **Chi-Chung Lin**, Hsinchu (TW)
- (72) Inventor: **Chi-Chung Lin**, Hsinchu (TW)
- (**) Term: **15 Years**
- (21) Appl. No.: **29/733,833**
- (22) Filed: **May 7, 2020**
- (51) **LOC (12) Cl.** **26-06**
- (52) **U.S. Cl.**
USPC **D26/28**
- (58) **Field of Classification Search**
USPC D26/28-36, 139
CPC F21S 48/00; F21S 48/10; F21S 48/115;
F21S 48/225; F21S 48/1233; F21S
48/1266; F21S 48/1388; F21S 48/2268;
F21V 21/04; F21V 29/004; B60Q 9/13;
B60Q 9/135; B60Q 9/1375
See application file for complete search history.

- D745,712 S 12/2015 O'Donnell et al.
- D754,912 S 4/2016 Patel
- D761,463 S * 7/2016 Lai D26/28
- D762,314 S 7/2016 Luk
- D765,282 S 8/2016 Lai
- D766,498 S 9/2016 Hatton
- D774,671 S 12/2016 Lai
- D792,994 S 7/2017 Hwang et al.
- D796,715 S * 9/2017 Lin D26/28
- D809,682 S 2/2018 Lin
- D844,862 S 4/2019 Nordmann
- D851,301 S 6/2019 Lin
- D853,000 S 7/2019 Lin
- D855,872 S 8/2019 Lan
- D861,236 S 9/2019 Lai
- D863,618 S 10/2019 Lucas et al.
- D866,823 S 11/2019 Lin
- D868,318 S 11/2019 Lai
- D869,711 S 12/2019 Christman et al.

* cited by examiner

Primary Examiner — Marcus A Jackson

(74) *Attorney, Agent, or Firm* — Alexander Chen, Esq.

(56) **References Cited**

U.S. PATENT DOCUMENTS

- D426,905 S 6/2000 Cook et al.
- D526,435 S 8/2006 Lau et al.
- D550,383 S 9/2007 Asai
- D573,282 S 7/2008 Hsu
- D586,018 S 2/2009 Hsu
- D588,724 S 3/2009 Hsu
- D606,679 S 12/2009 Iwasaki
- D676,166 S * 2/2013 Lai D26/28
- D706,471 S * 6/2014 Lai D26/28
- D714,983 S 10/2014 Lai
- D718,479 S 11/2014 Lai
- D718,893 S * 12/2014 Lai D26/28
- D720,870 S * 1/2015 Lim D26/28
- D728,850 S 5/2015 Beaven
- D742,045 S * 10/2015 Futschik D26/28
- D743,070 S 11/2015 Lai

(57) **CLAIM**

The ornamental design for an automobile headlight, as shown and described.

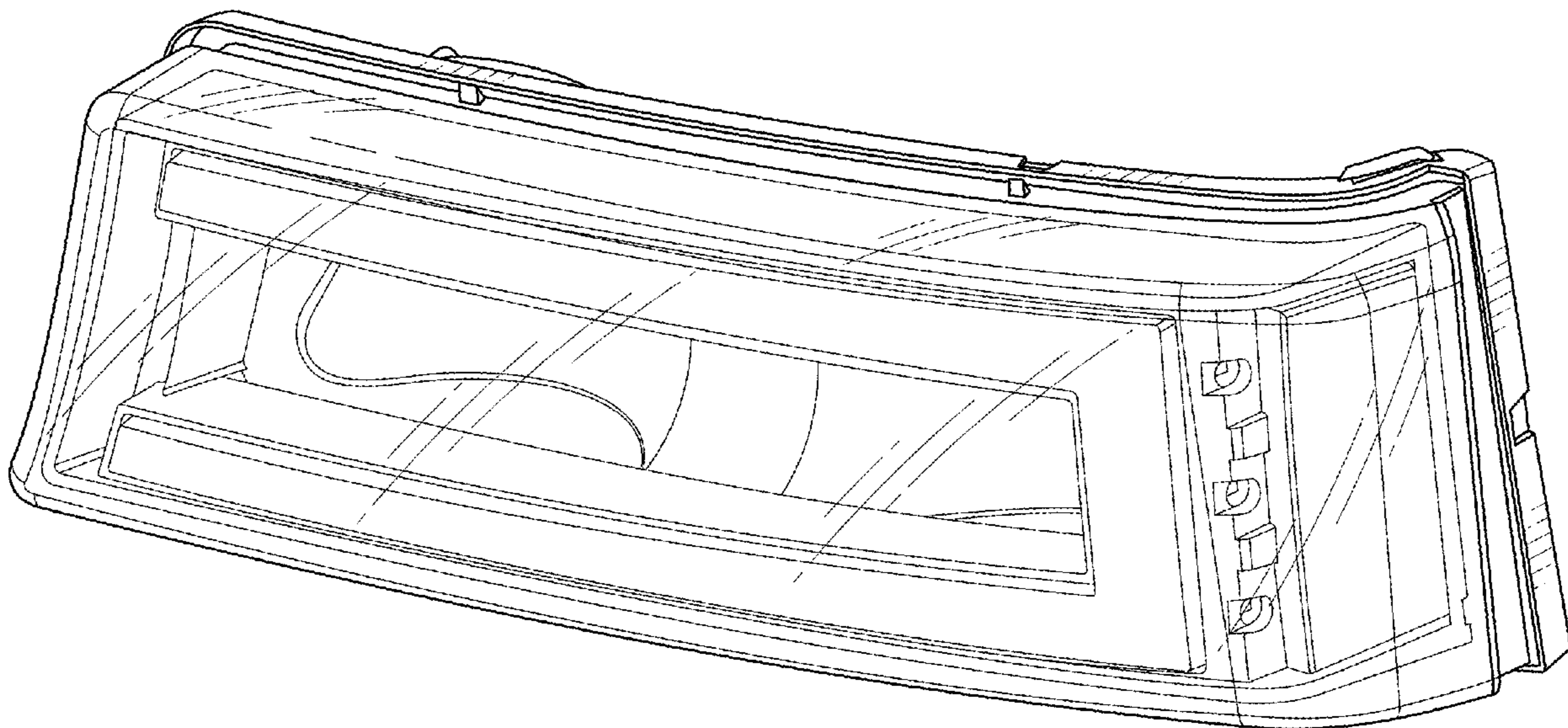
DESCRIPTION

FIG. 1 is a perspective view of an automobile headlight; FIG. 2 is a front view thereof; FIG. 3 is a side view thereof; FIG. 4 is a top view thereof; and, FIG. 5 is a bottom view thereof.

The broken lines are included to show environmental structure and form no part of the claimed design.

The drawings and descriptions represent the left side embodiment. The claim is also for a mirror image right side embodiment.

1 Claim, 5 Drawing Sheets



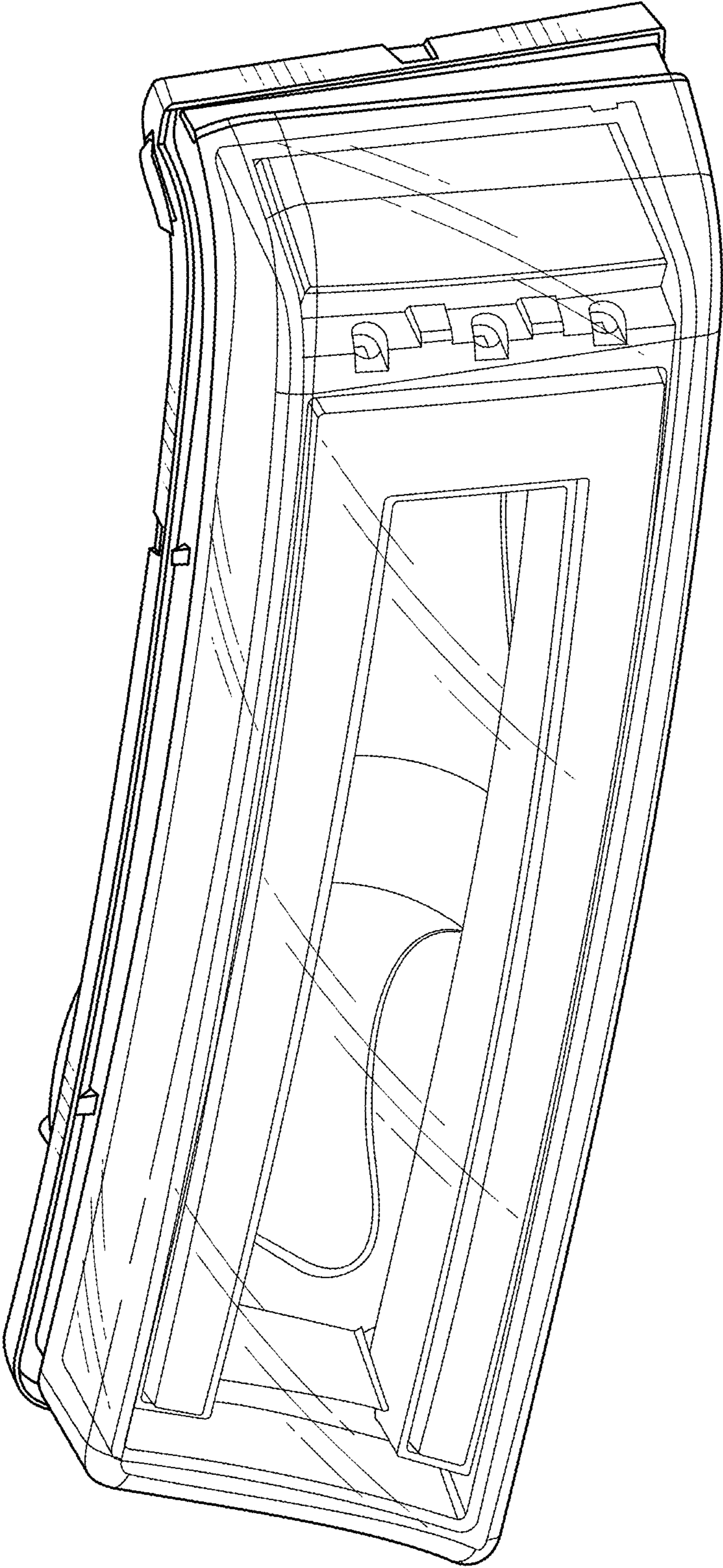


FIG. 1

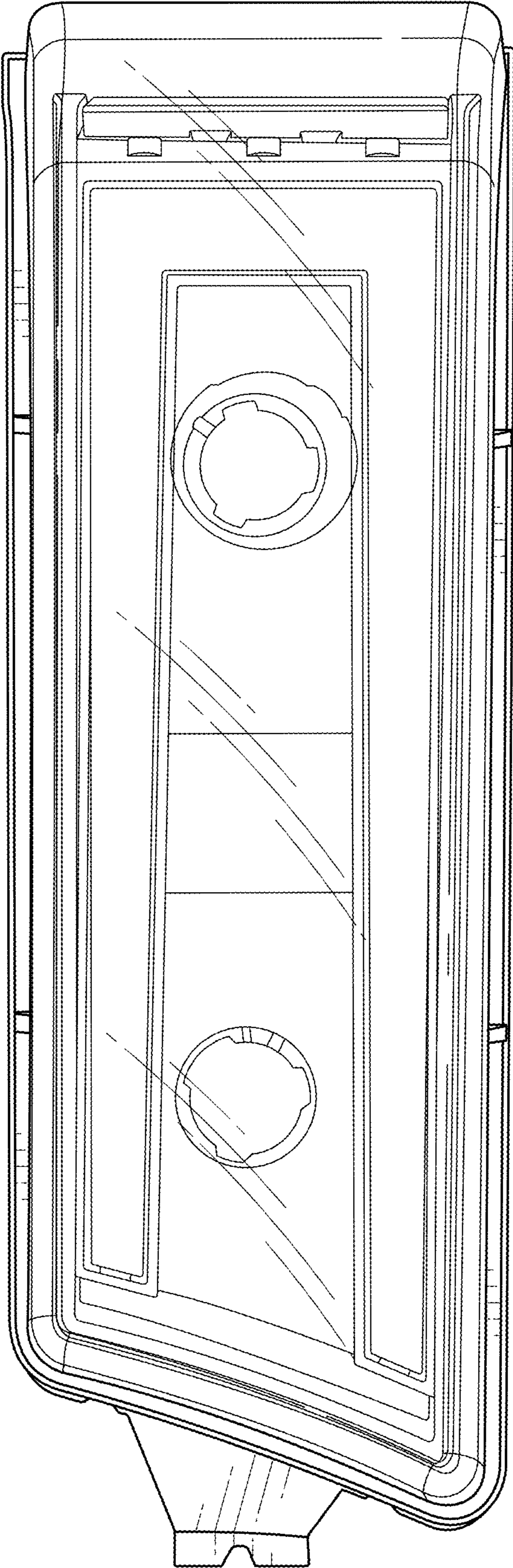


FIG. 2

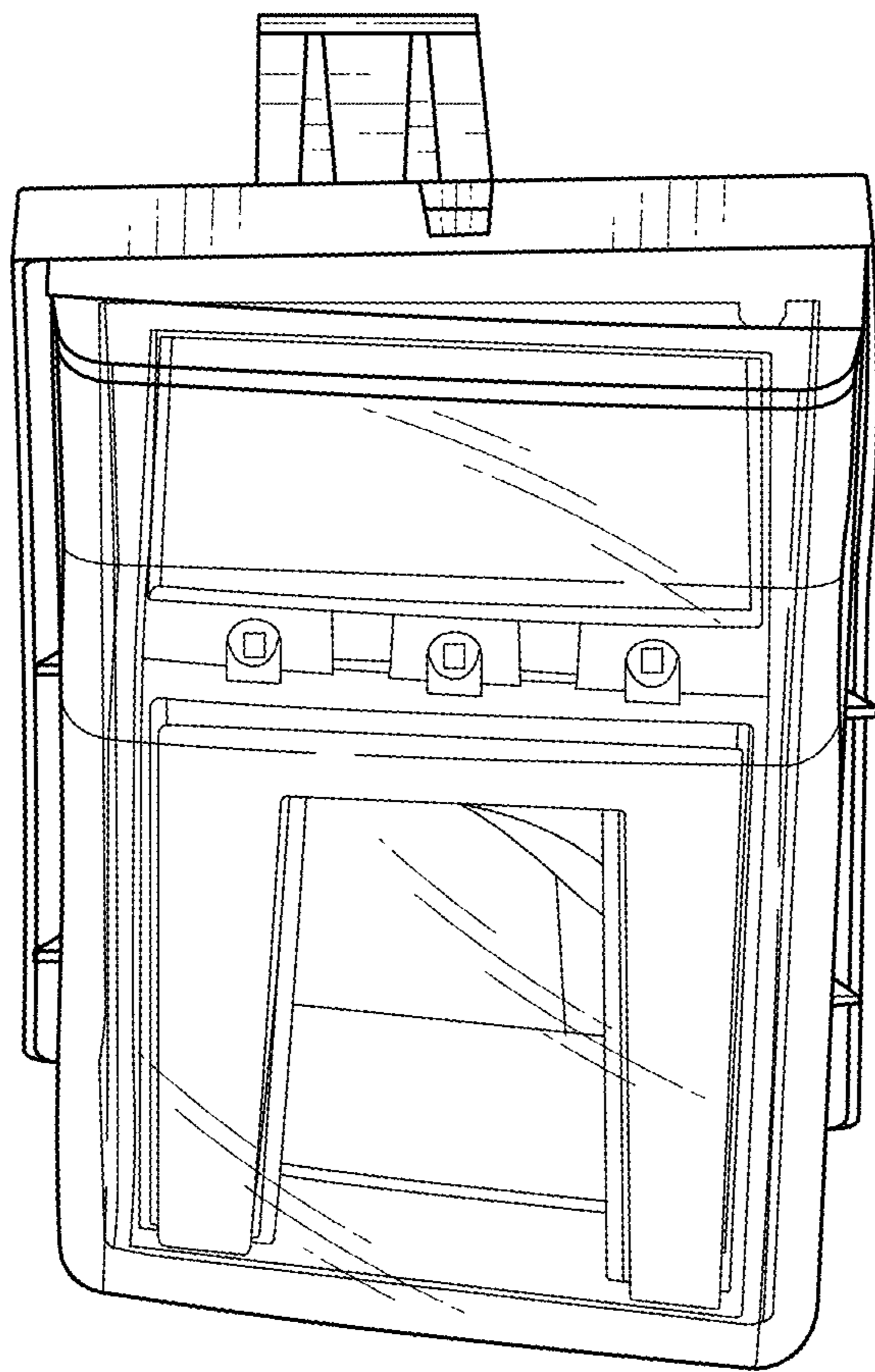


FIG. 3

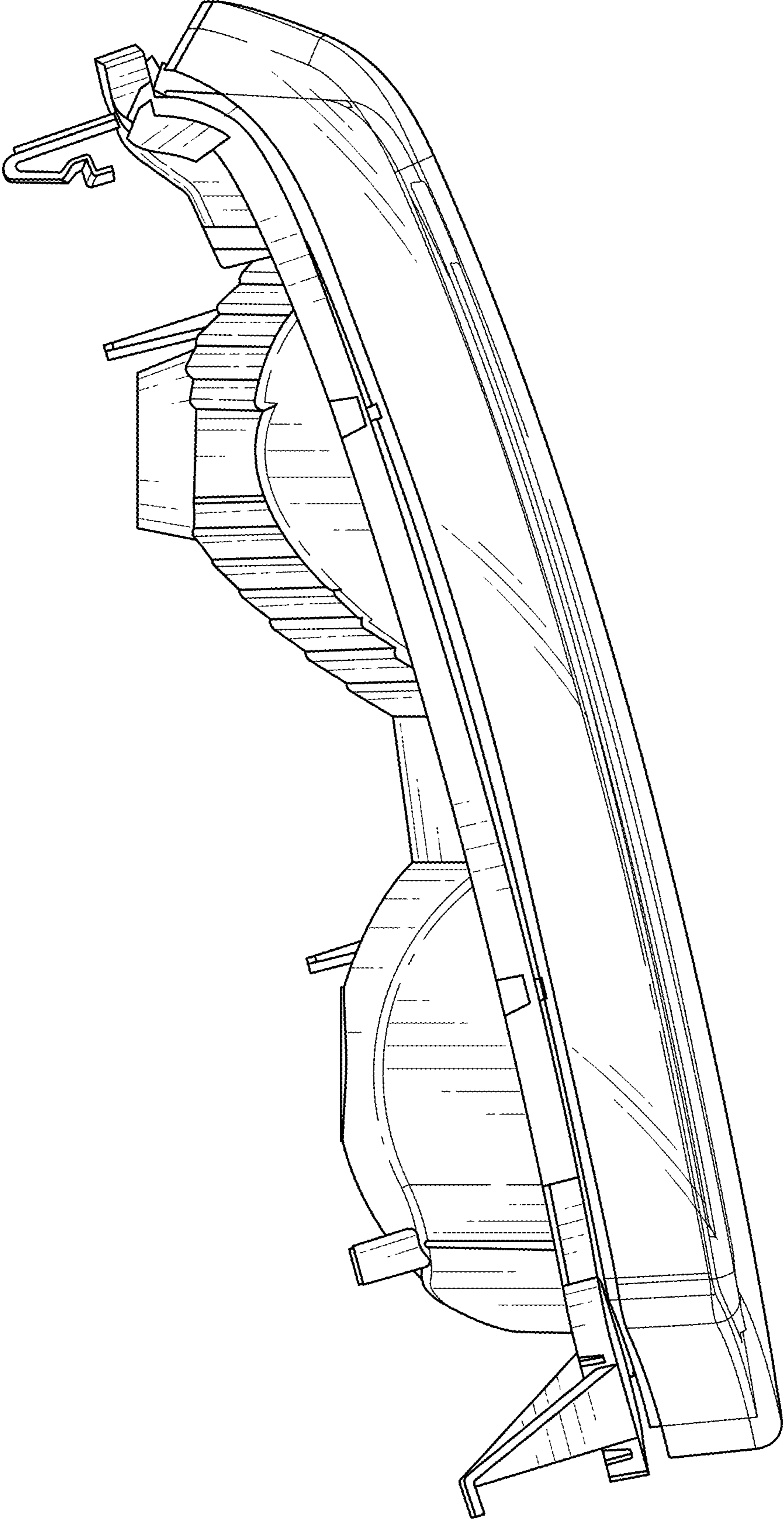


FIG. 4

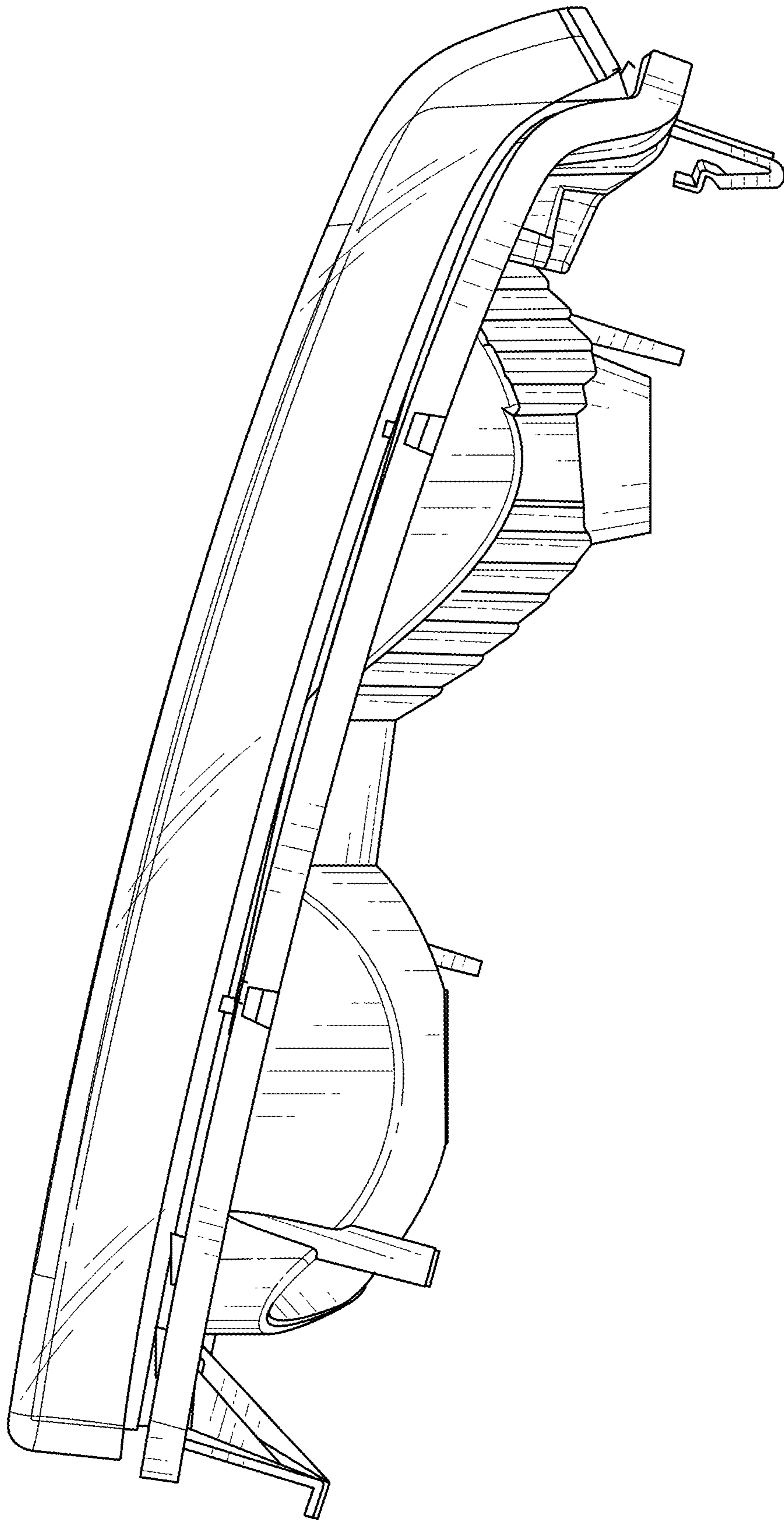


FIG. 5