



US00D896406S

(12) **United States Design Patent**
Lin

(10) **Patent No.:** **US D896,406 S**

(45) **Date of Patent:** **** Sep. 15, 2020**

(54) **AUTOMOBILE BACK LIGHT**

(71) Applicant: **Chi-Chung Lin**, Hsinchu (TW)

(72) Inventor: **Chi-Chung Lin**, Hsinchu (TW)

(**) Term: **15 Years**

(21) Appl. No.: **29/685,969**

(22) Filed: **Apr. 1, 2019**

(51) **LOC (12) Cl.** **26-06**

(52) **U.S. Cl.**
USPC **D26/28**

(58) **Field of Classification Search**
USPC D26/28-36, 139
CPC F21S 48/00; F21S 48/10; F21S 48/115;
F21S 48/225; F21S 48/1233; F21S
48/1266; F21S 48/1388; F21S 48/2268;
F21V 21/04; F21V 29/004; B60Q 9/13;
B60Q 9/135; B60Q 9/1375
See application file for complete search history.

(56) **References Cited**

U.S. PATENT DOCUMENTS

D539,448 S 3/2007 Mays et al.
D591,437 S 4/2009 Saridakis et al.

D610,282 S 2/2010 Saridakis et al.
D681,853 S 5/2013 Behmer et al.
D731,686 S 6/2015 Mays et al.
D760,406 S * 6/2016 Huang D26/28
D788,958 S * 6/2017 Ko D26/28
D796,095 S * 8/2017 Huang D26/28
D798,475 S * 9/2017 Georgitsis D26/28
D803,429 S * 11/2017 Martin D26/28
D809,167 S * 1/2018 Chi D26/28
D814,078 S 3/2018 Behmer et al.

* cited by examiner

Primary Examiner — Marcus A Jackson

(74) *Attorney, Agent, or Firm* — Alexander Chen, Esq.

(57) **CLAIM**

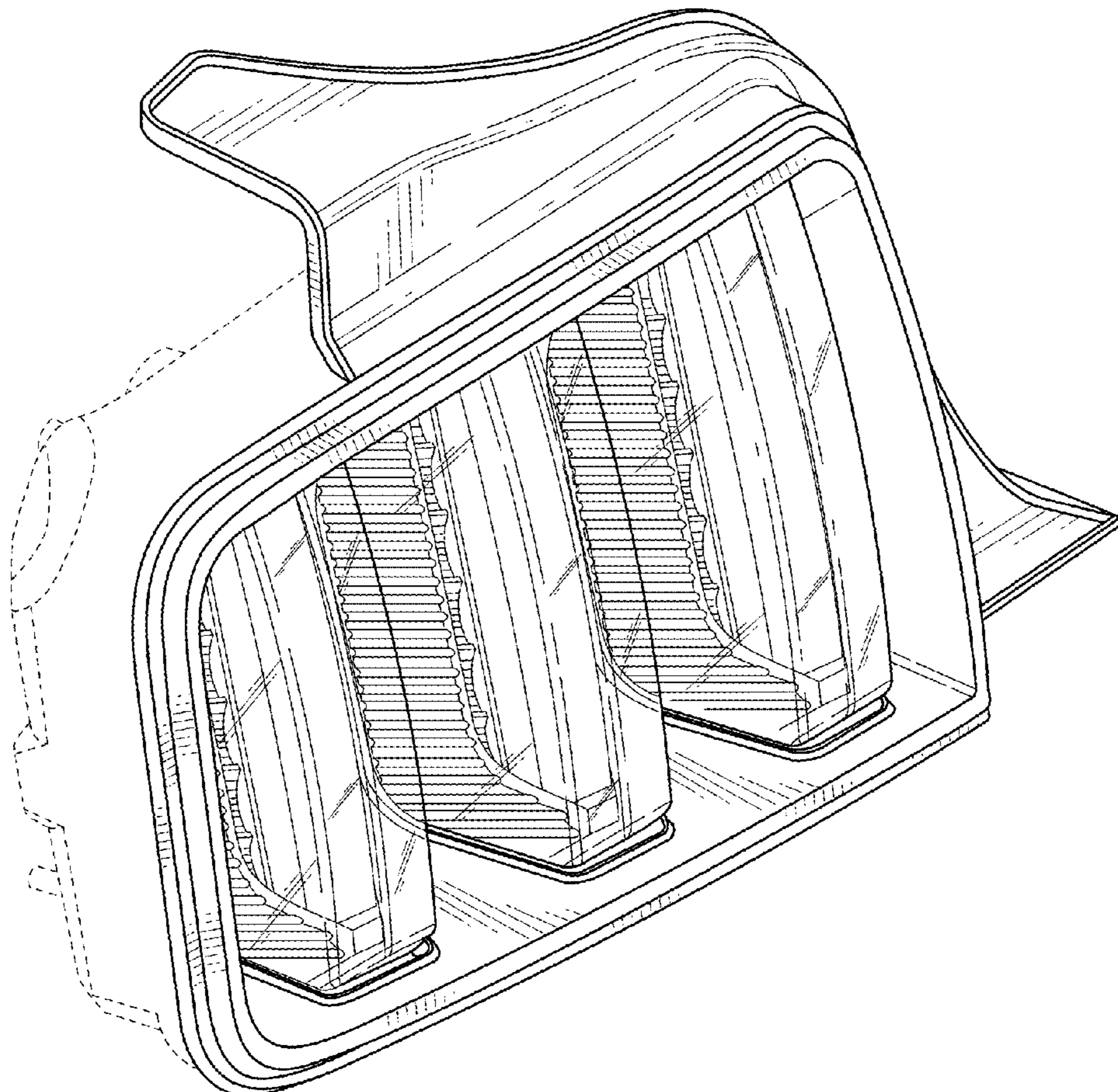
The ornamental design for an automobile back light, as shown and described.

DESCRIPTION

FIG. 1 is a perspective view of an automobile back light; FIG. 2 is a front view thereof; FIG. 3 is a side view thereof; and, FIG. 4 is a top view thereof.

The broken lines are included to show environmental structure and form no part of the claimed design. The drawings and descriptions represent the left side embodiment. The claim is also for a mirror image right side embodiment.

1 Claim, 4 Drawing Sheets



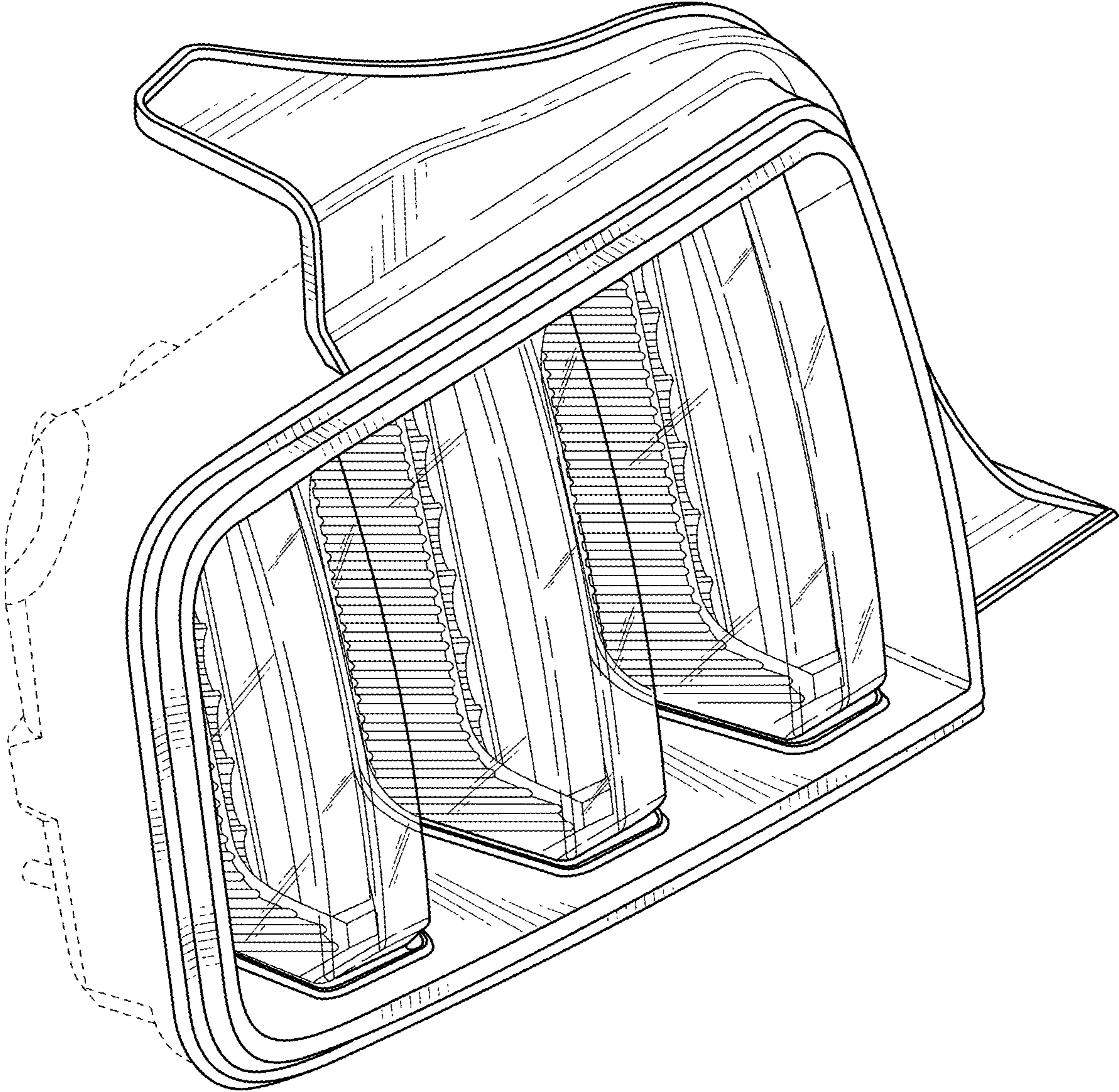


FIG. 1

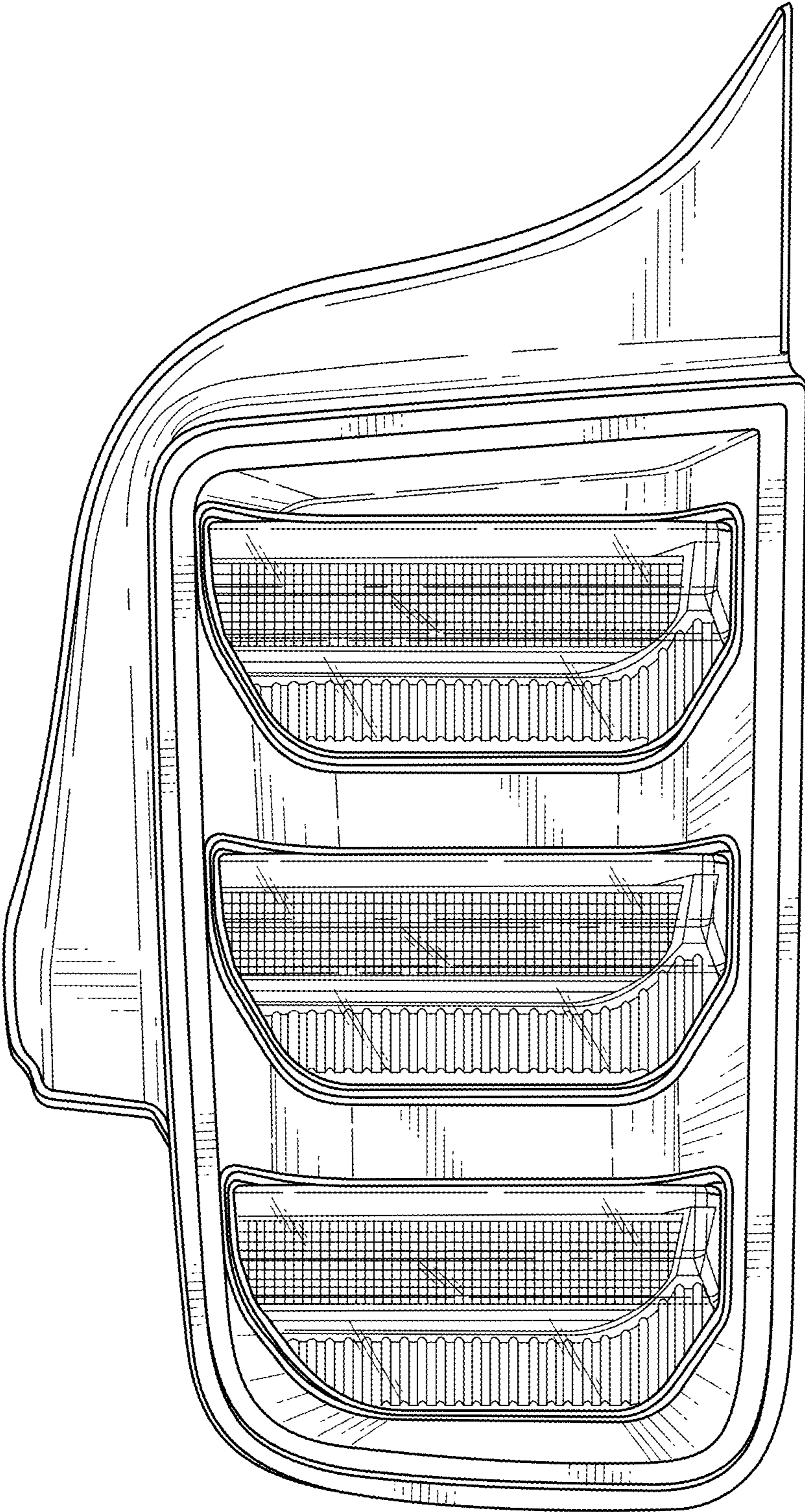


FIG. 2

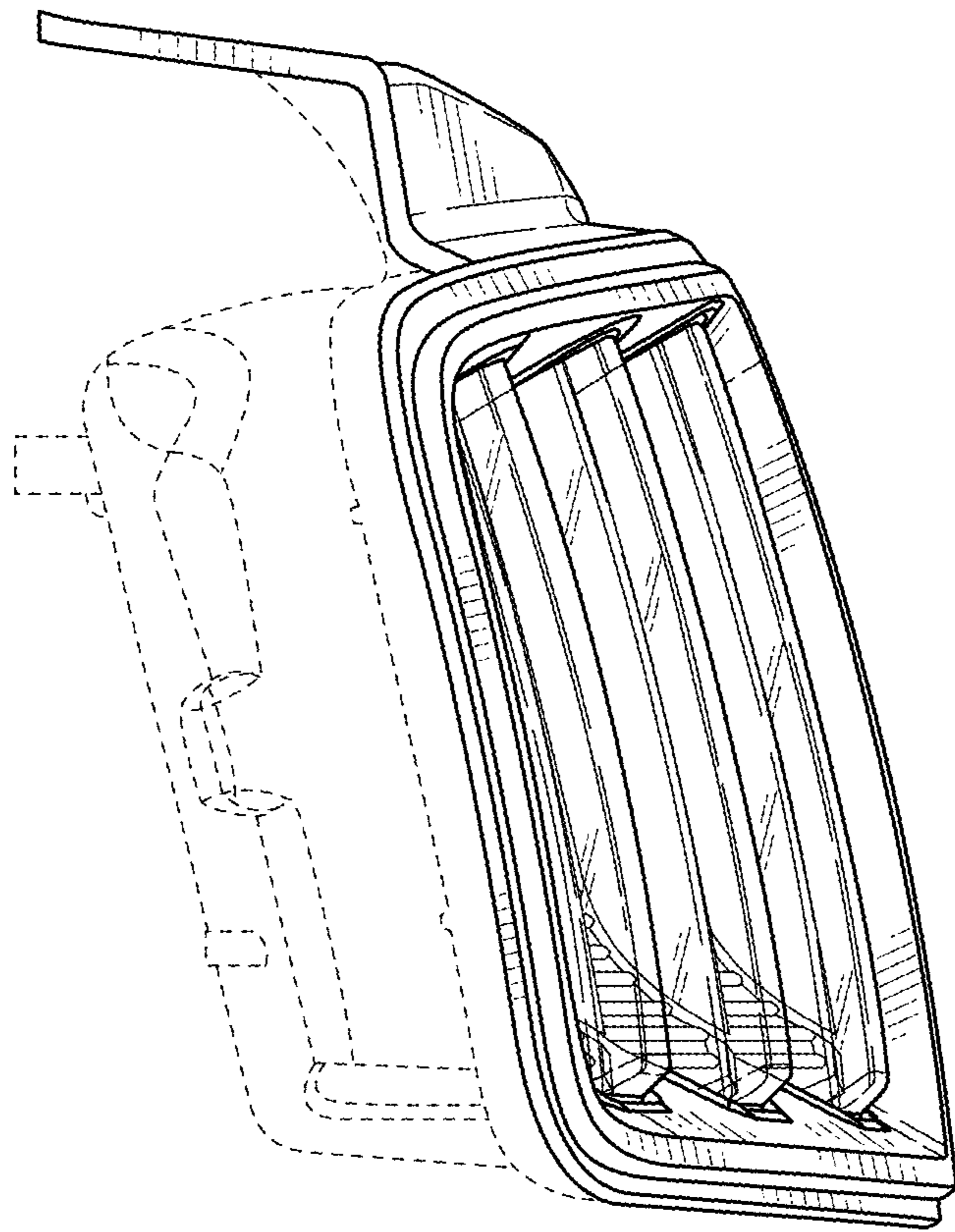


FIG. 3

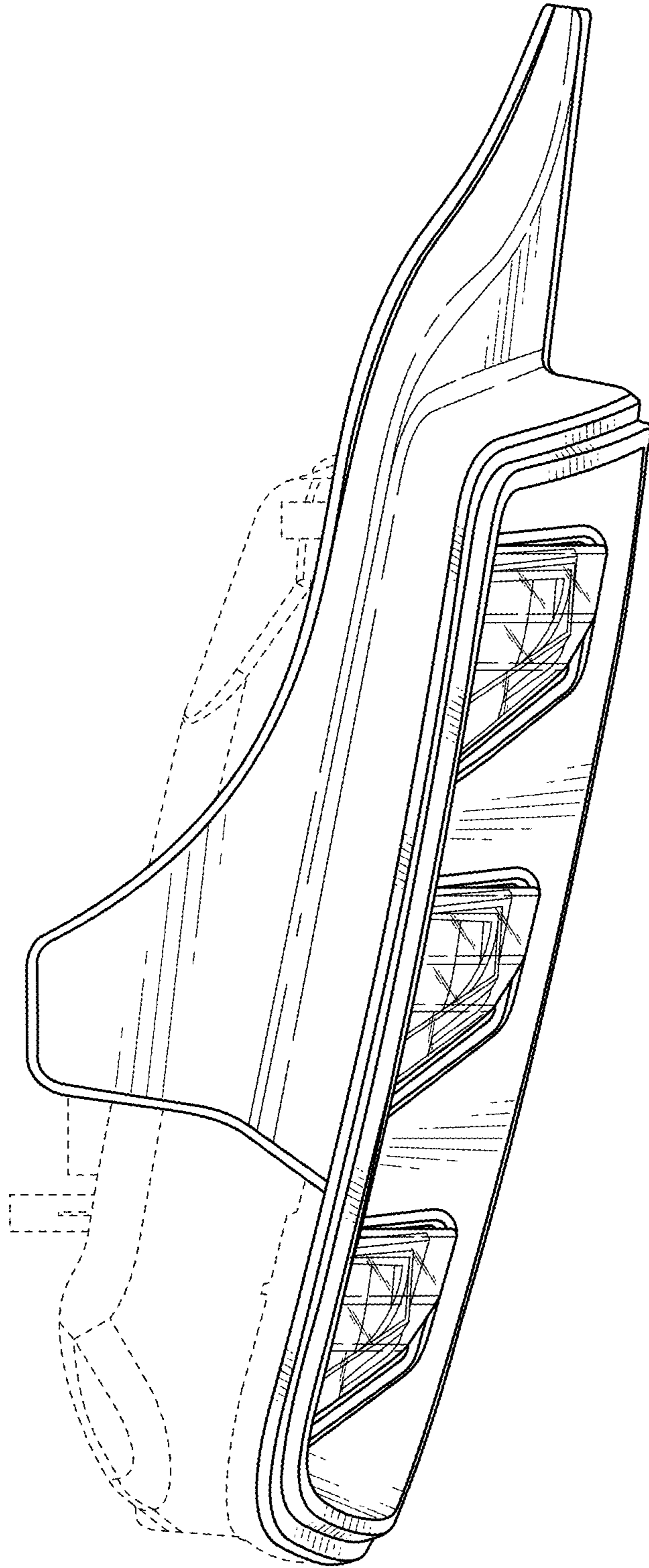


FIG. 4