



US00D896400S

(12) **United States Design Patent**
Helms et al.

(10) **Patent No.:** **US D896,400 S**

(45) **Date of Patent:** **** *Sep. 15, 2020**

(54) **BUILDING EXTRUSION**

(71) Applicant: **Golden Homes Holdings Limited,**
Tauranga (NZ)

(72) Inventors: **Lennard Trevor Helms,** Tauranga
(NZ); **Michael Petersen,** Auckland
(NZ)

(73) Assignee: **GOLDEN HOMES HOLDINGS**
LIMITED, Tauranga (NZ)

(*) Notice: This patent is subject to a terminal disclaimer.

(**) Term: **15 Years**

(21) Appl. No.: **29/661,532**

(22) Filed: **Aug. 28, 2018**

(30) **Foreign Application Priority Data**

Feb. 28, 2018 (NZ) 424125

(51) **LOC (12) Cl.** **25-01**

(52) **U.S. Cl.**
USPC **D25/119; D25/48.2**

(58) **Field of Classification Search**
USPC D25/48.2, 119–125, 164
CPC E04F 19/00; E04F 19/02; E04F 19/022;
E04F 19/026; E04F 19/028; E04F 19/06;
E04F 19/062; E04F 19/063; E04F 19/064;
E04F 13/00; E04F 13/07; E04F 13/072;
E04F 13/073; E04F 13/0733; E04F
13/0736; E04D 13/08; E06B 1/70
See application file for complete search history.

(56) **References Cited**

U.S. PATENT DOCUMENTS

3,197,934 A * 8/1965 Brown E04C 2/08
D25/125
3,253,377 A * 5/1966 Schakel B62D 33/046
D25/125

D228,180 S * 8/1973 LaBorde D25/125
D256,545 S * 8/1980 Legerius D25/123
5,937,600 A * 8/1999 Larson E04B 1/762
52/302.6
D421,502 S * 3/2000 Felch D25/125
6,385,932 B1 * 5/2002 Melchiori E04F 13/06
52/302.3
D459,818 S * 7/2002 Chaney D25/125
D469,885 S * 2/2003 Zen D25/119
D479,007 S * 8/2003 Biro D25/125
D529,196 S * 9/2006 Folliard D25/119

(Continued)

Primary Examiner — Llorelys Martinez

(74) *Attorney, Agent, or Firm* — Knobbe, Martens, Olson
& Bear, LLP

(57) **CLAIM**

The ornamental design for a building extrusion, as shown and described.

DESCRIPTION

FIG. 1 is a front end view of a building extrusion, showing my new design;

FIG. 2 is a back end view thereof;

FIG. 3 is a right side elevational view thereof, shown rotated at a 90° angle counter-clockwise;

FIG. 4 is a left side elevational view thereof, shown rotated at a 90° angle counter-clockwise;

FIG. 5 is a bottom plan view thereof;

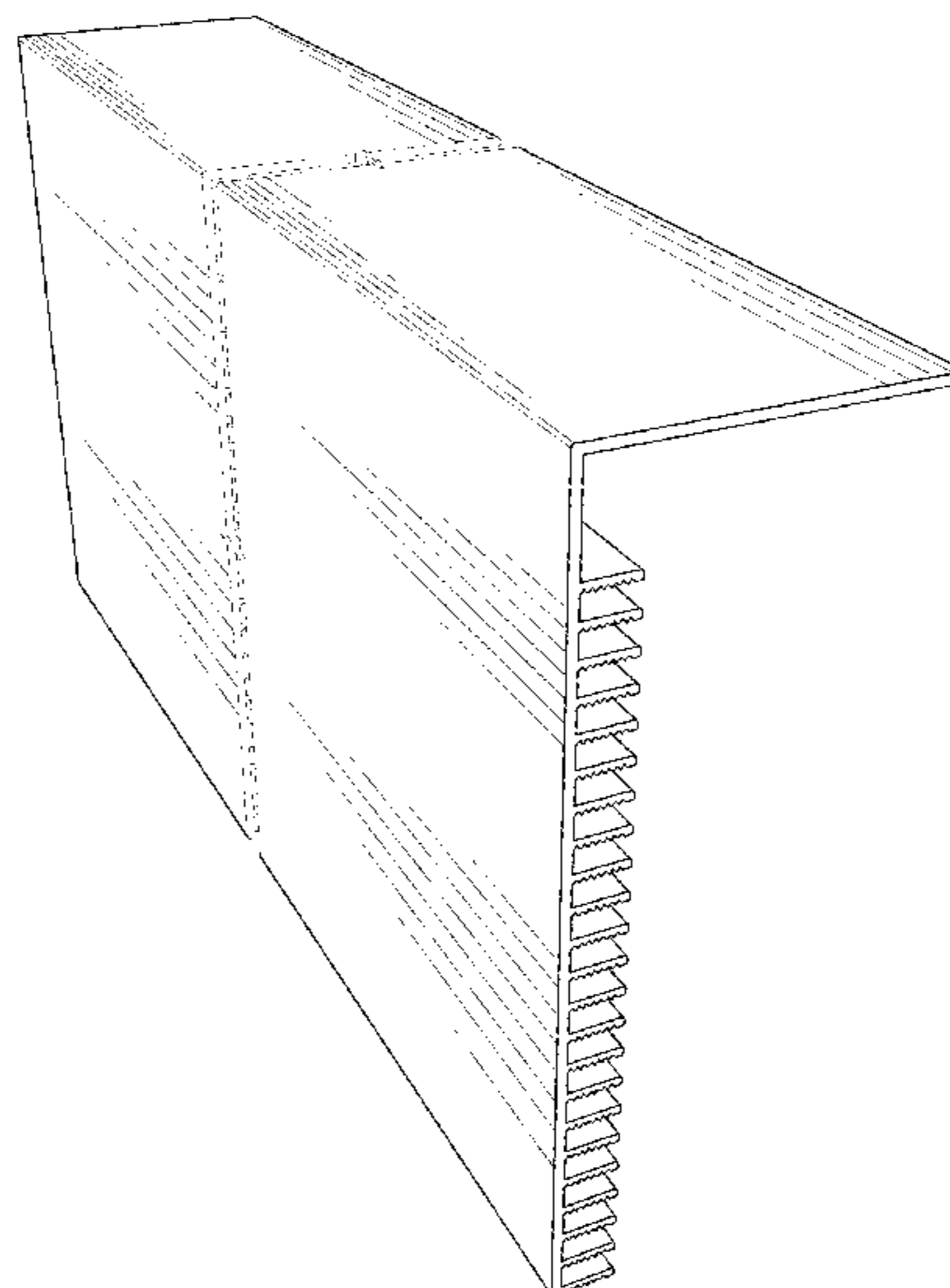
FIG. 6 is a magnified view of a circular portion identified in FIG. 5;

FIG. 7 is a top plan view thereof; and,

FIG. 8 is a perspective view thereof.

The building extrusion is shown with a symbolic break in its length. The appearance of any portion of the building extrusion between the break lines forms no part of the claimed design. The circle drawn in broken lines in FIG. 5 identifies the area shown magnified in FIG. 6. Neither of these circles forms any part of the claimed design.

1 Claim, 8 Drawing Sheets



(56)

References Cited

U.S. PATENT DOCUMENTS

D551,470 S * 9/2007 Loew D25/122
D554,774 S * 11/2007 Antonic D25/119
D648,865 S * 11/2011 Hohmann, Jr. E04B 1/7046
D25/138
D649,265 S * 11/2011 Brabeck D25/125
D652,532 S * 1/2012 Letham D25/123
D664,681 S * 7/2012 Kim D25/125
D676,577 S * 2/2013 Irving A63B 71/08
D25/124
8,443,554 B1 * 5/2013 Teodorovich E06B 1/702
49/506
D736,412 S * 8/2015 MacKenzie D25/119
D753,847 S * 4/2016 Gori D25/119
D855,830 S * 8/2019 Greene D25/48.2
2019/0003241 A1 * 1/2019 Ortega E06B 1/70

* cited by examiner

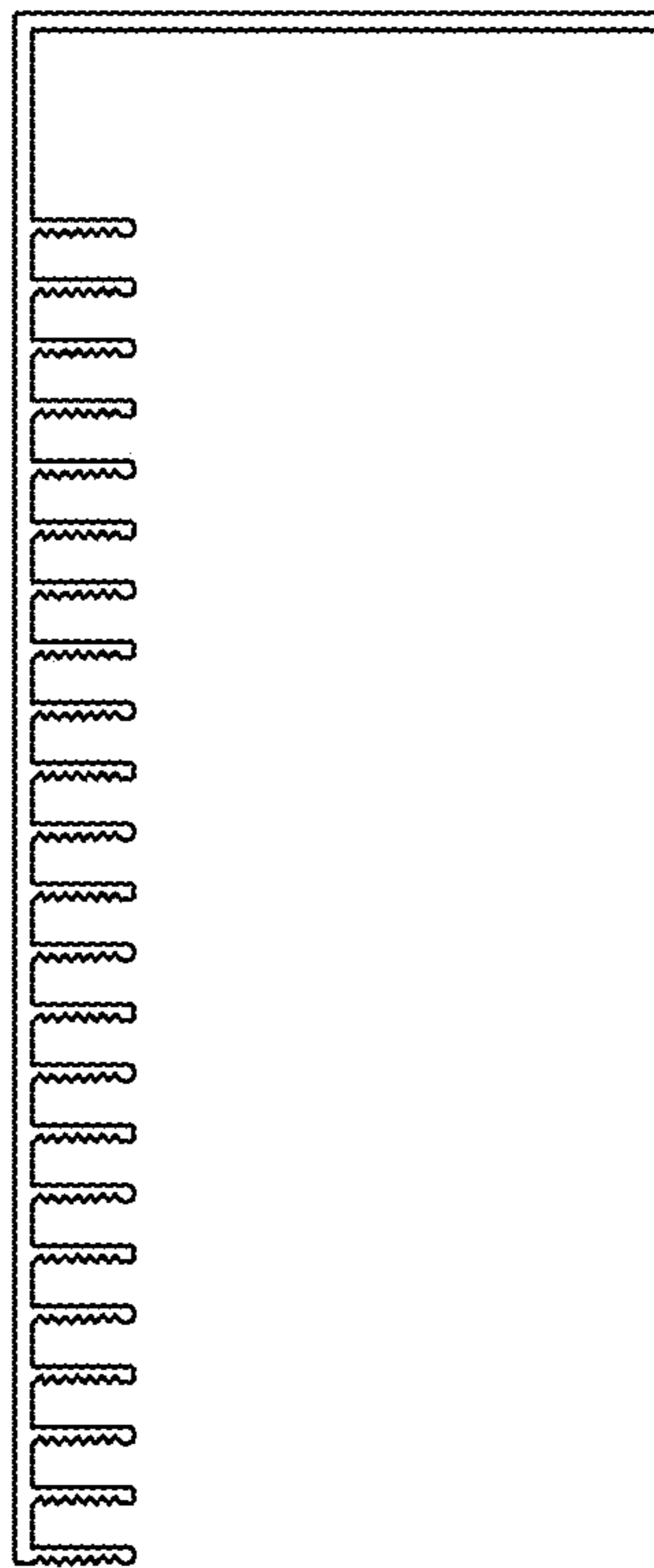


FIG. 1

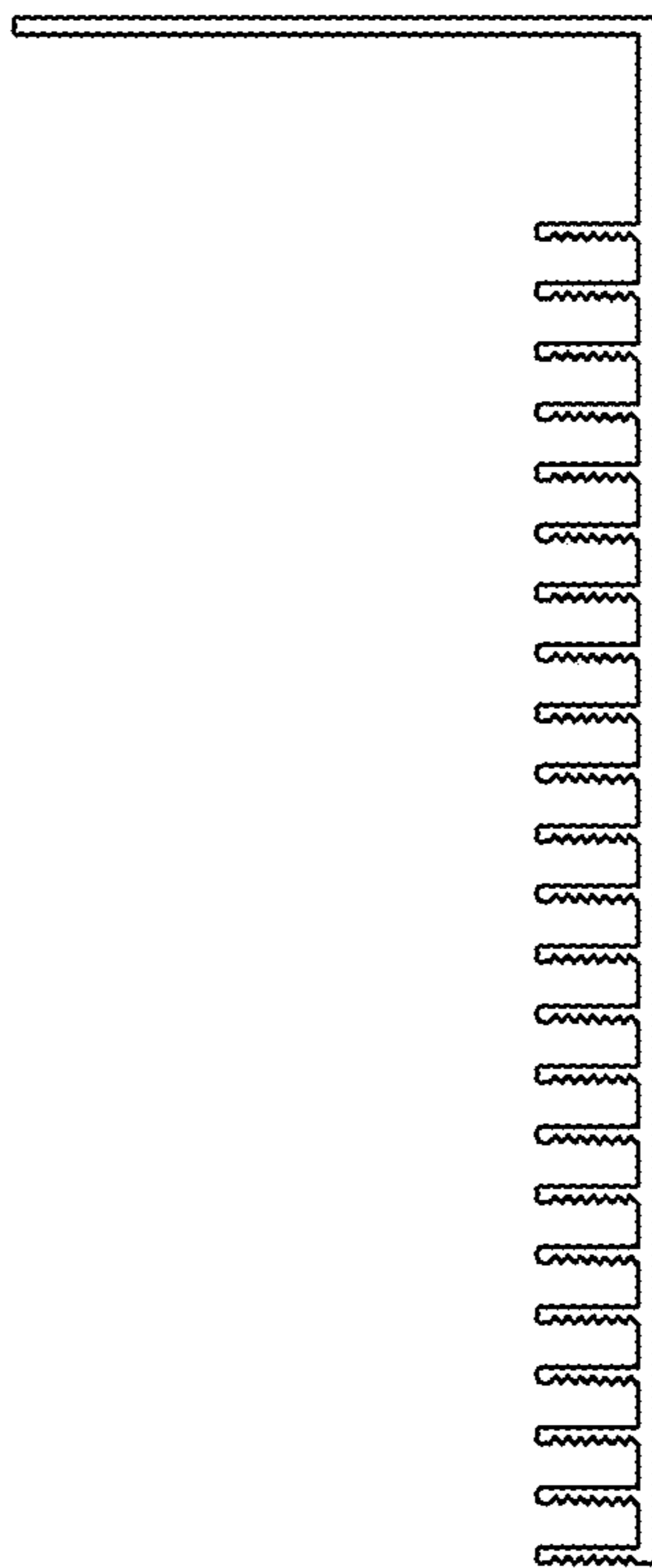


FIG. 2

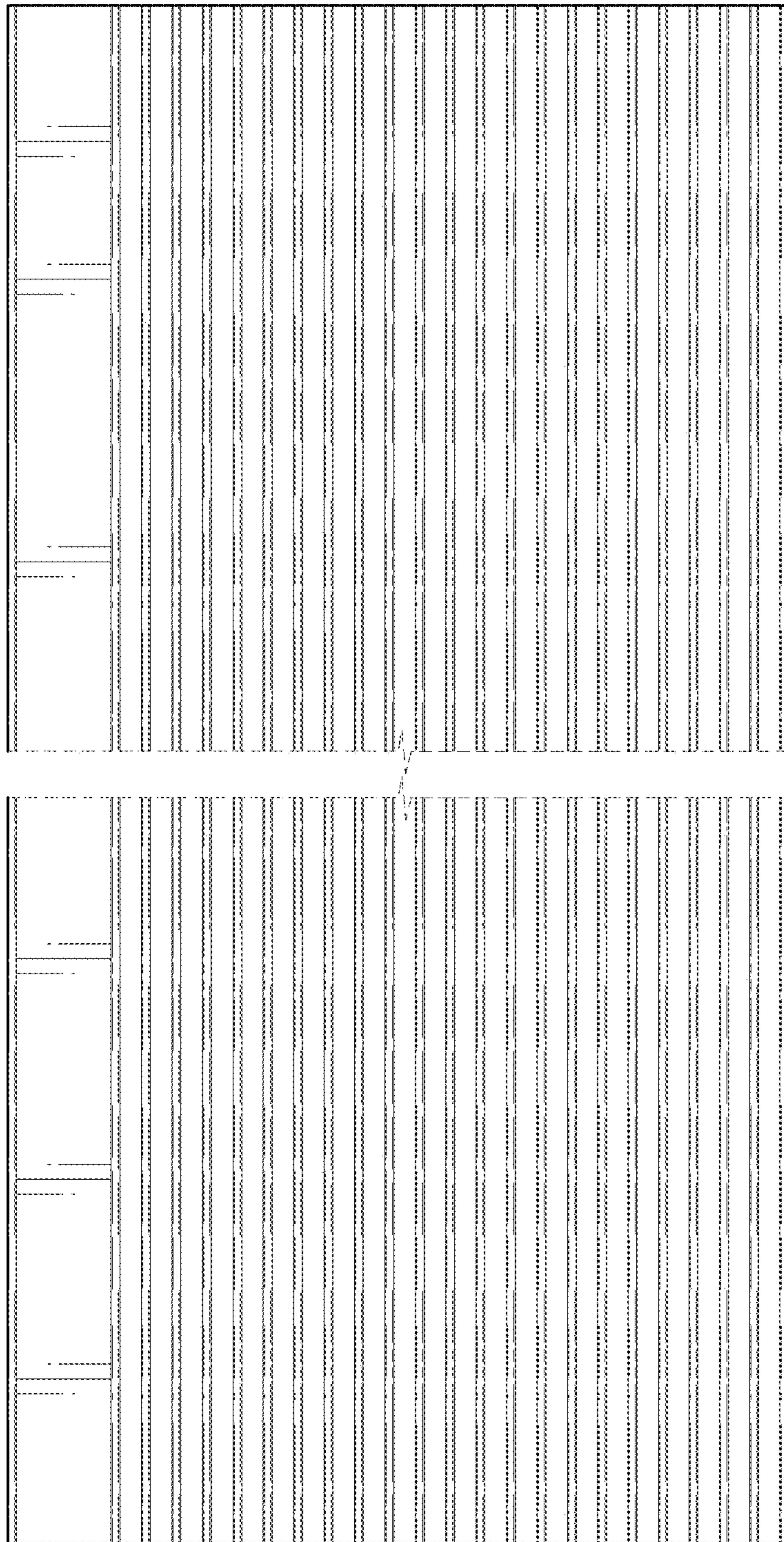


FIG. 3

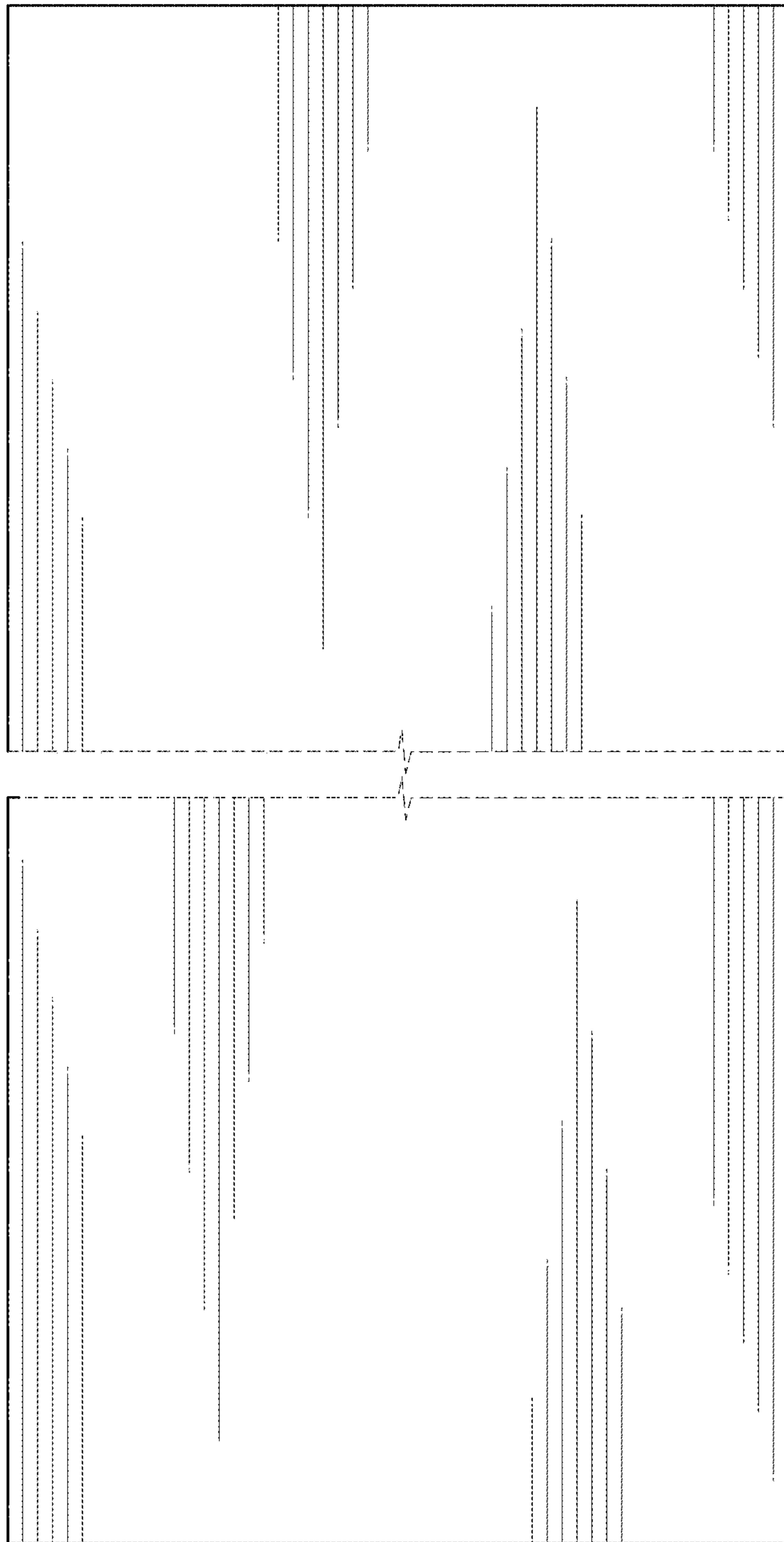


FIG. 4

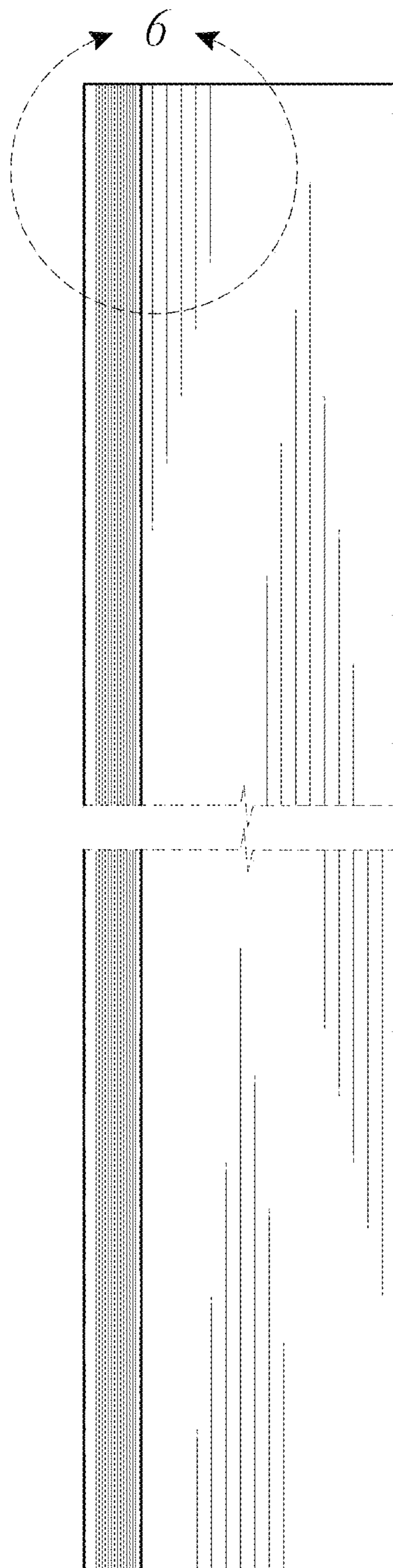


FIG. 5

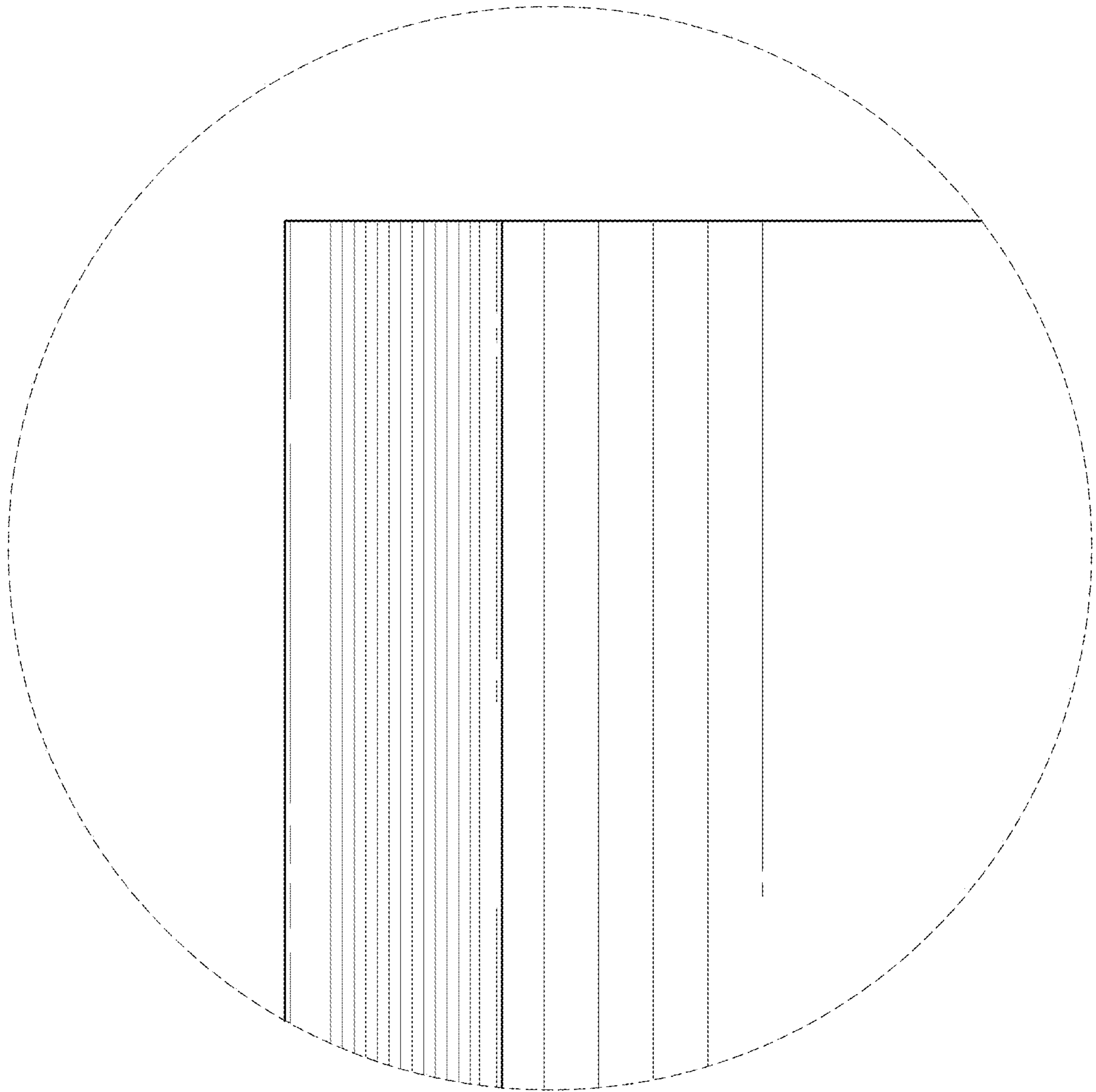


FIG. 6

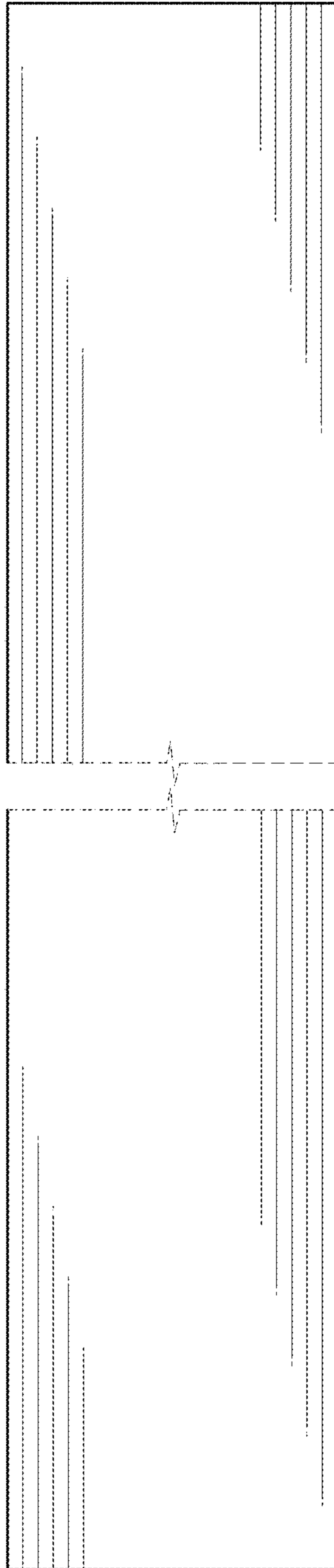


FIG. 7

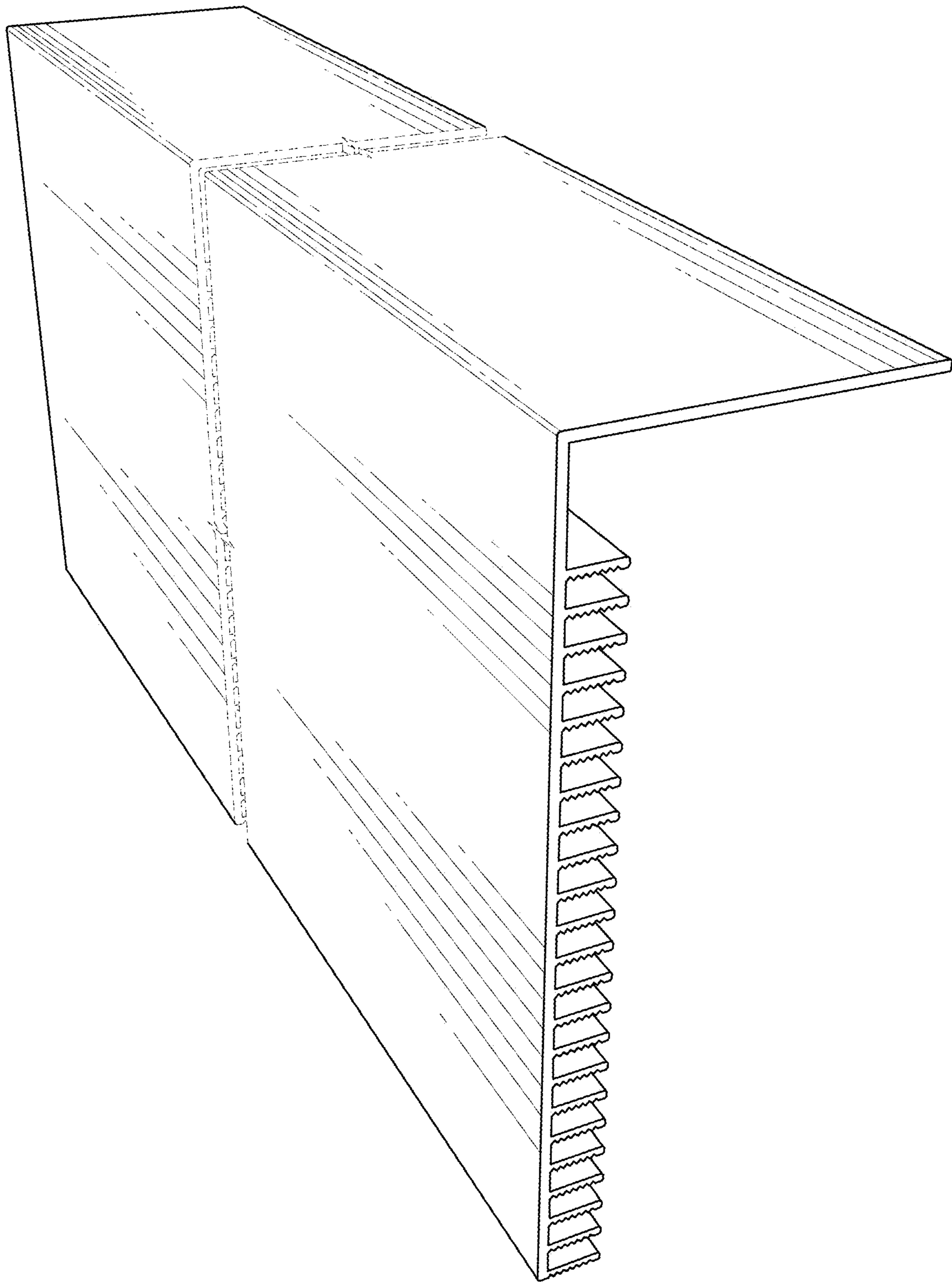


FIG. 8