

US00D896397S

(12) **United States Design Patent** (10) **Patent No.:** **US D896,397 S**
Chen (45) **Date of Patent:** **** Sep. 15, 2020**

(54) **COMBINED SLIMMING AND BEAUTIFYING MACHINE**

(71) Applicant: **Zhenwu Chen**, Lianjiang (CN)

(72) Inventor: **Zhenwu Chen**, Lianjiang (CN)

(**) Term: **15 Years**

(21) Appl. No.: **29/733,582**

(22) Filed: **May 5, 2020**

(51) **LOC (12) Cl.** **28-03**

(52) **U.S. Cl.**
USPC **D24/215**

(58) **Field of Classification Search**
USPC D24/200, 211, 212, 213, 214, 215
CPC A61H 7/001; A61H 2015/0028; A61H 2201/169; A61H 39/04; A61H 7/007
See application file for complete search history.

(56) **References Cited**

U.S. PATENT DOCUMENTS

D403,076	S	*	12/1998	York	D24/214
D469,880	S	*	2/2003	York	D24/214
D492,791	S	*	7/2004	Alexander	D24/211
D502,264	S	*	2/2005	Timmer	D24/211
D548,850	S	*	8/2007	Gladieux, III	D24/214
D652,524	S		1/2012	Messner		
D707,835	S		6/2014	Domoto		
D734,481	S		7/2015	Sedic		
D765,873	S	*	9/2016	Hetzel	D24/214
D820,993	S	*	6/2018	Huang	D24/215
D850,640	S	*	6/2019	Wersland	D24/211
D857,215	S	*	8/2019	Lin	D24/200
D870,908	S	*	12/2019	Hyder	A61H 15/00 D24/211
D876,818	S	*	3/2020	Lieberman	D3/203.1
D877,349	S	*	3/2020	Jeon	D24/200
D878,616	S	*	3/2020	Lin	D24/200
D888,342	S	*	6/2020	Fan	D28/58
2014/0305458	A1	*	10/2014	Brewer	A45D 34/041 132/200
2015/0117056	A1	*	4/2015	Hsiao	G02B 6/0045 362/611

OTHER PUBLICATIONS

Amazon, "Fat Remover Massager", Jul. 14, 2020. https://www.amazon.com/Massager-Waterproof-Vibration-Sculpting-Rechargeable/dp/B088JZJ5W9/ref=cm_cr_arp_d_product_top?ie=UTF8. Shown on page 1. (Year: 2020).*
https://www.amazon.com/Portable-Massager-Waterproof-Rechargeable-Instrument/dp/B082NBN3L7/ref=sr_1_1?dchild=1&m=A29MCANMT797BM&marketplaceID=ATVPDKIKX0DER&qid=1587551500&s=merchant-items&sr=1-1#customerReviews.
https://www.amazon.com/Machine-Shaping-Remover-Chest-Massager/dp/B0832PW62P/ref=sr_1_5?dchild=1&keywords=burn+fat+machine&qid=1587551948&sr=8-5.
https://www.amazon.com/Machine-Vibration-Stomach-Shaping-Massager/dp/B0849W33H9/ref=sr_1_16?dchild=1&keywords=burn+fat+machine&qid=1587551948&sr=8-16.

* cited by examiner

Primary Examiner — Cynthia Ramirez

Assistant Examiner — Michael A Maharajh

(74) *Attorney, Agent, or Firm* — Wayne V. Harper; Cynthia Flanigan

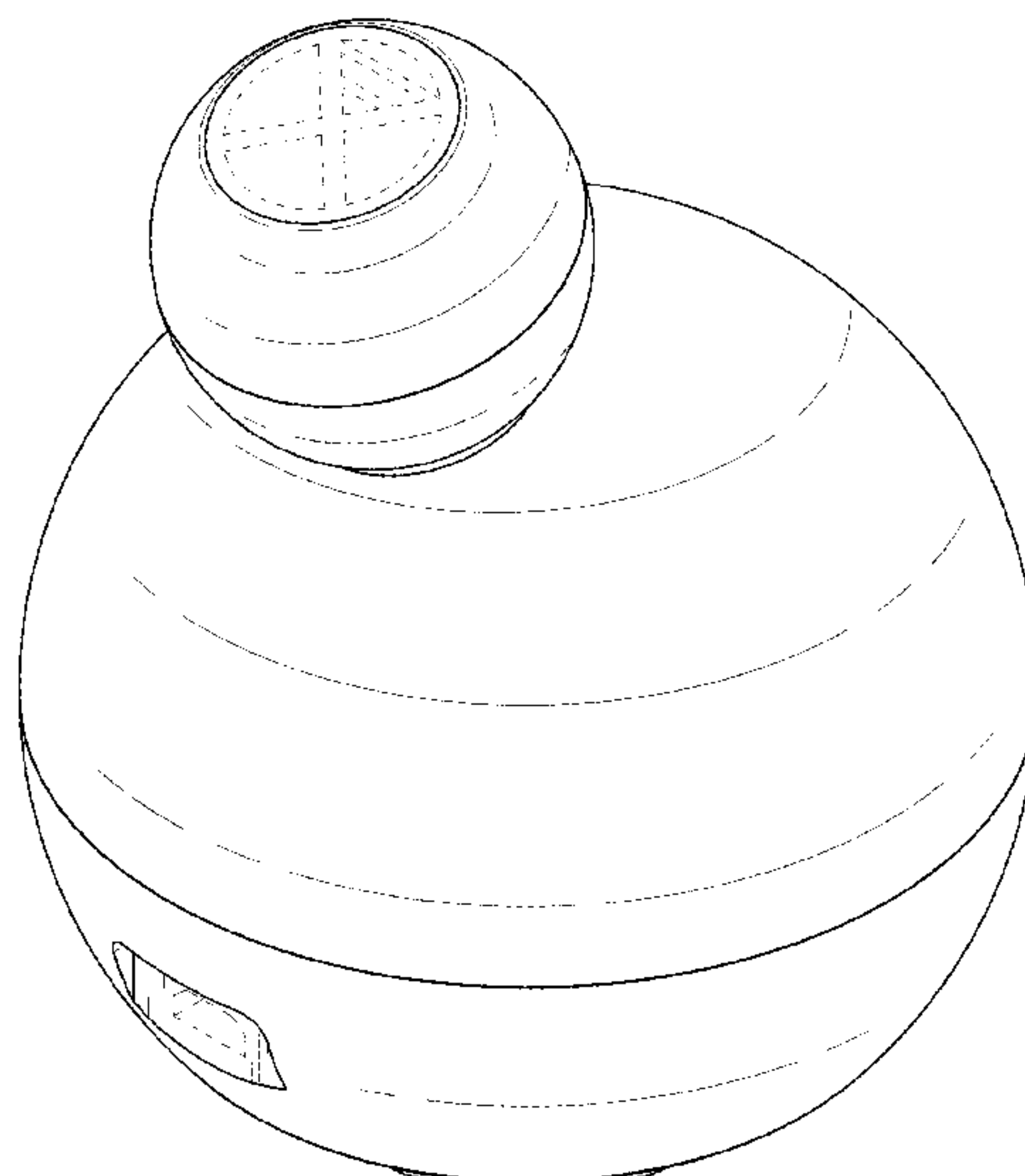
(57) **CLAIM**

The ornamental design for a combined slimming and beautifying machine, as shown and described.

DESCRIPTION

FIG. 1 is a perspective view of a combined slimming and beautifying machine, showing my new design;
FIG. 2 is a Front view thereof;
FIG. 3 is a Back view thereof;
FIG. 4 is a Right-side view thereof;
FIG. 5 is a Left-side view thereof;
FIG. 6 is a Top view thereof; and,
FIG. 7 is a Bottom view thereof.
The broken line is for environmental purpose only and form no part of claimed design.

1 Claim, 7 Drawing Sheets



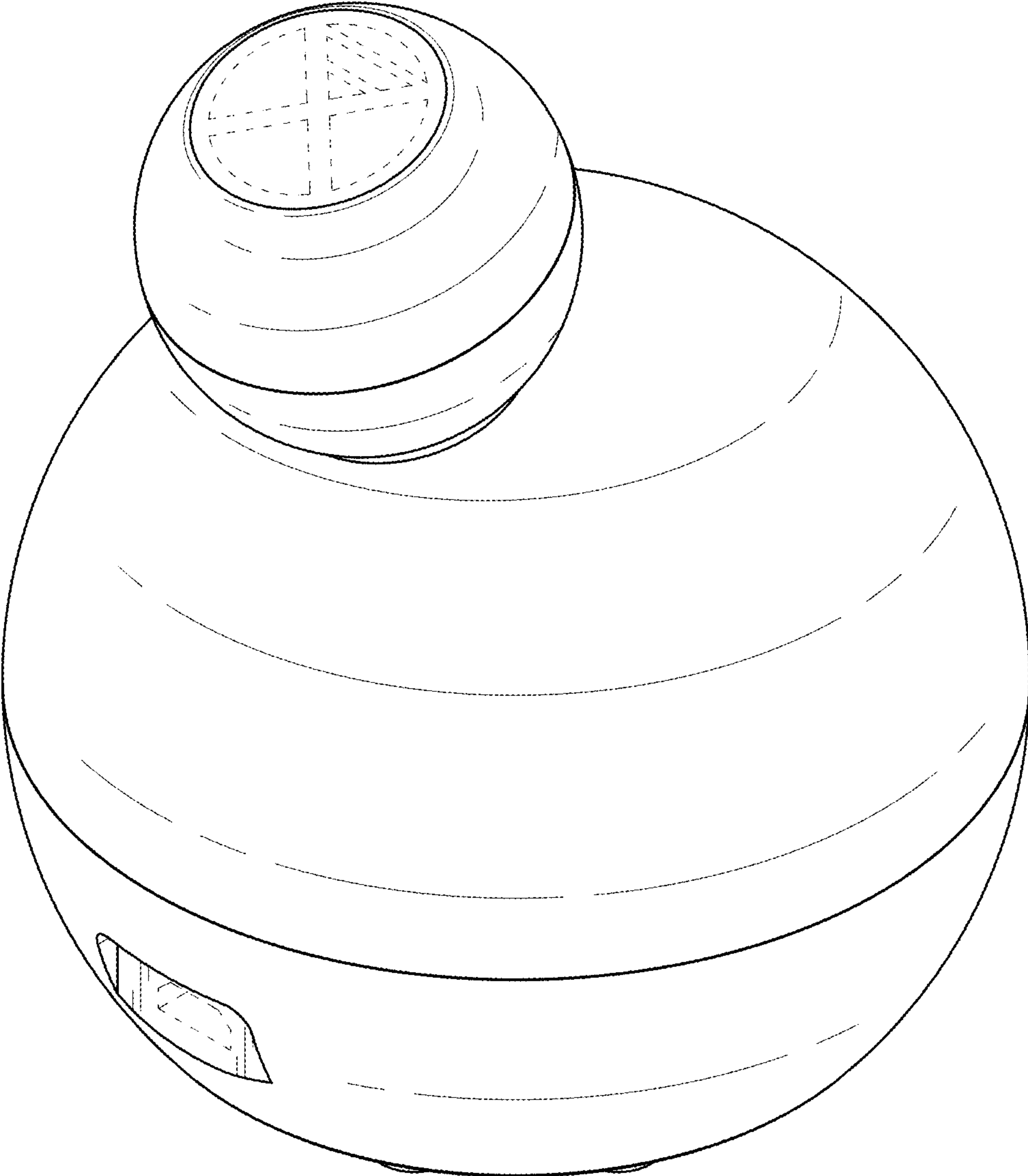


FIG. 1

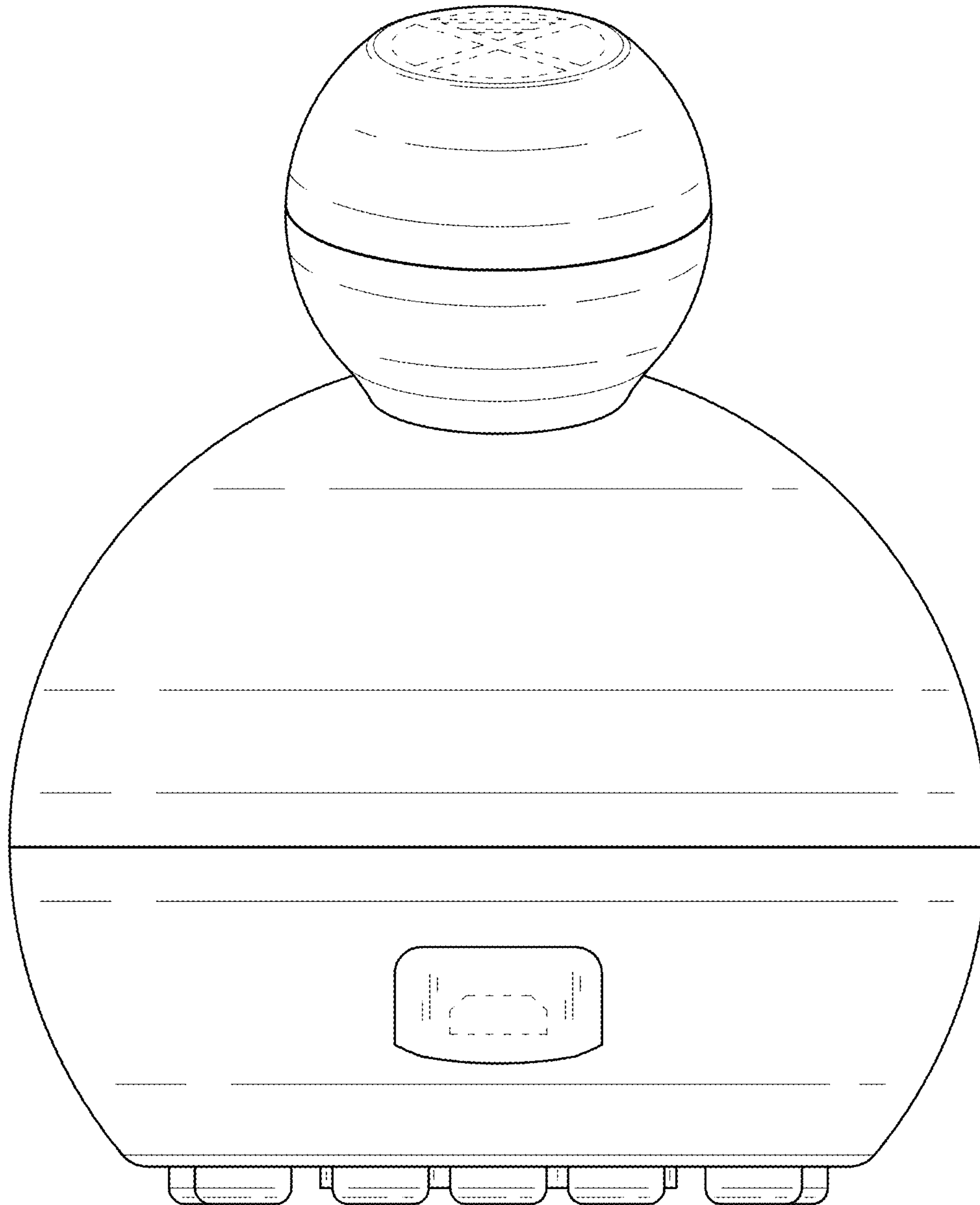


FIG. 2

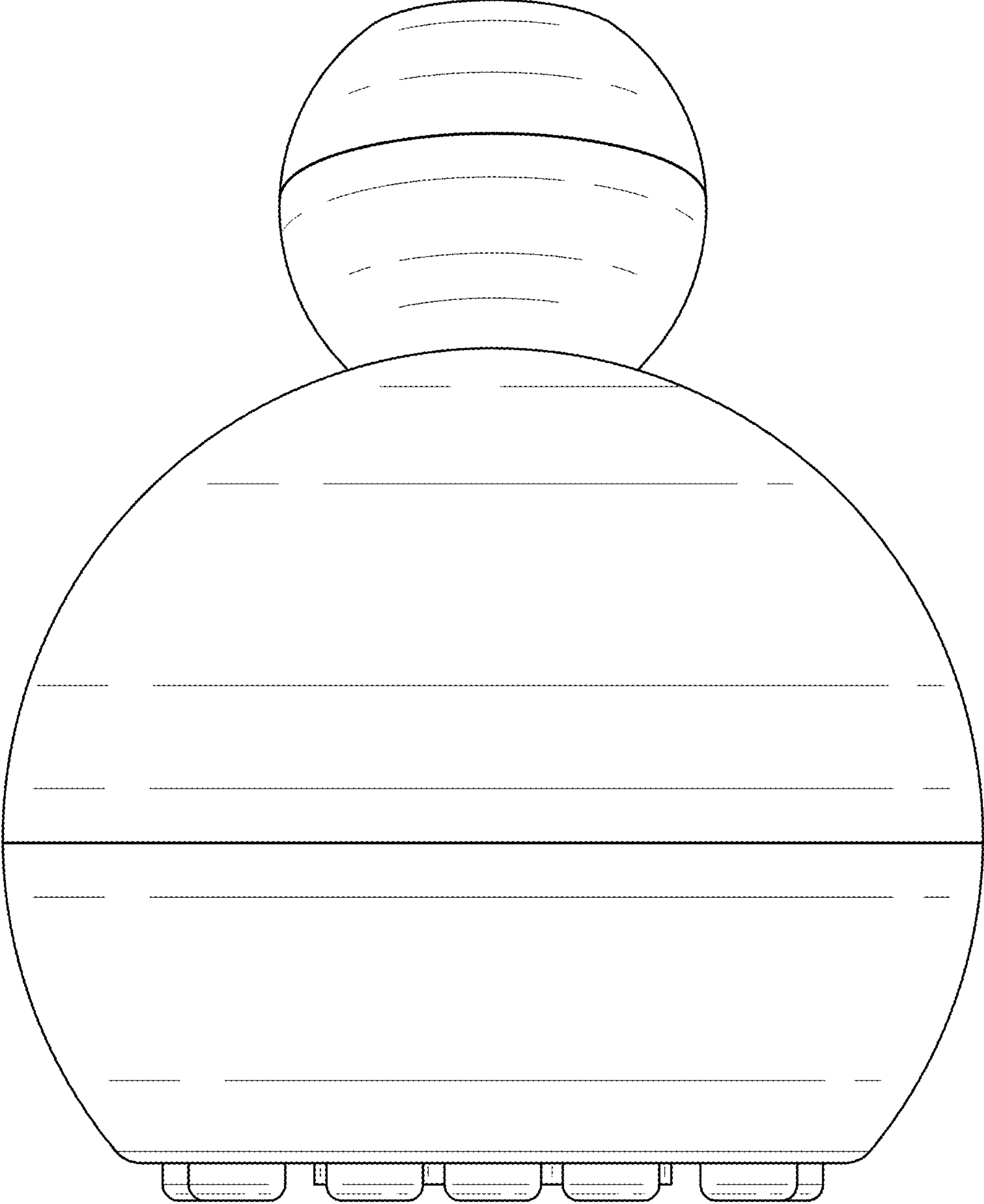


FIG. 3

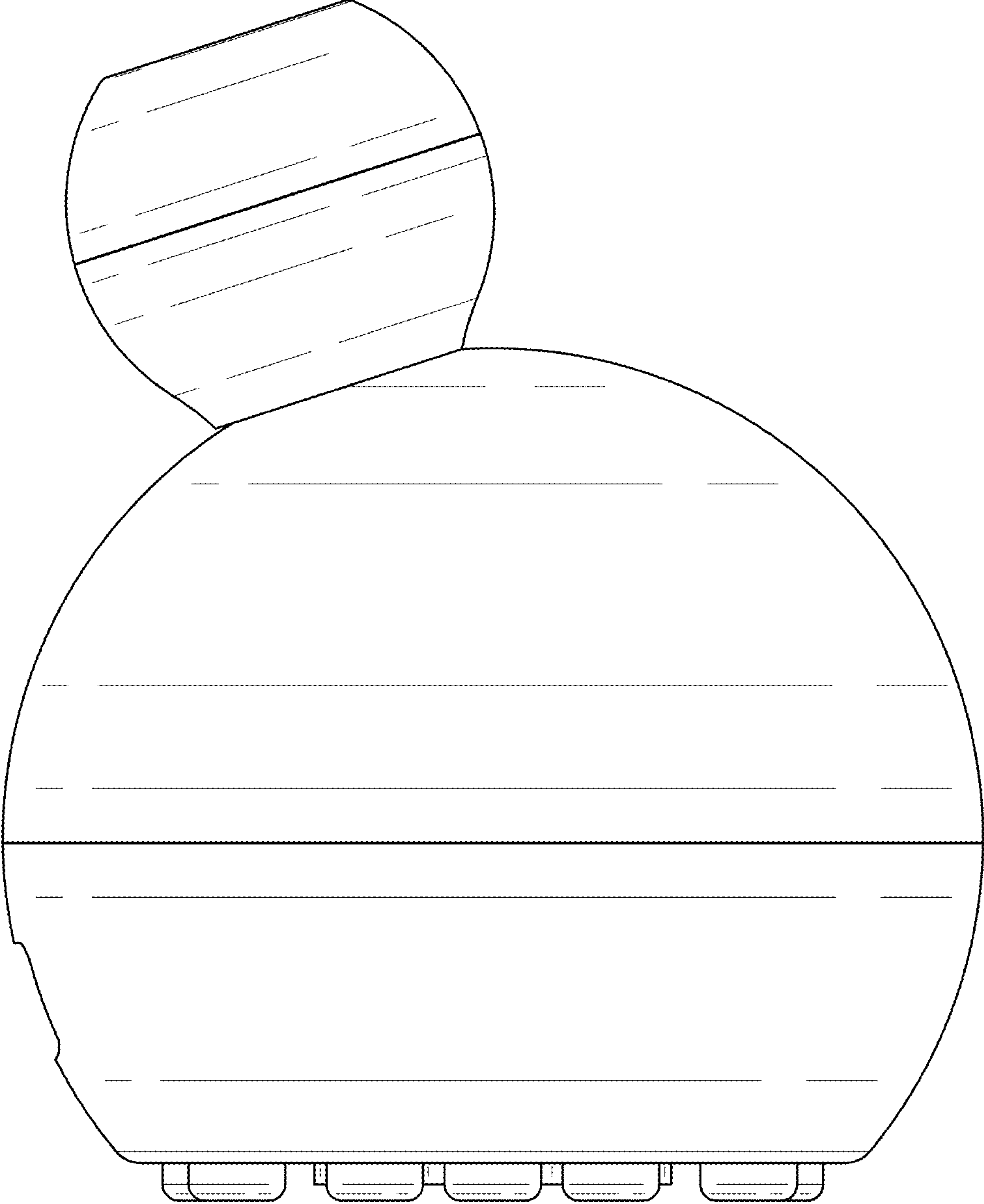


FIG. 4

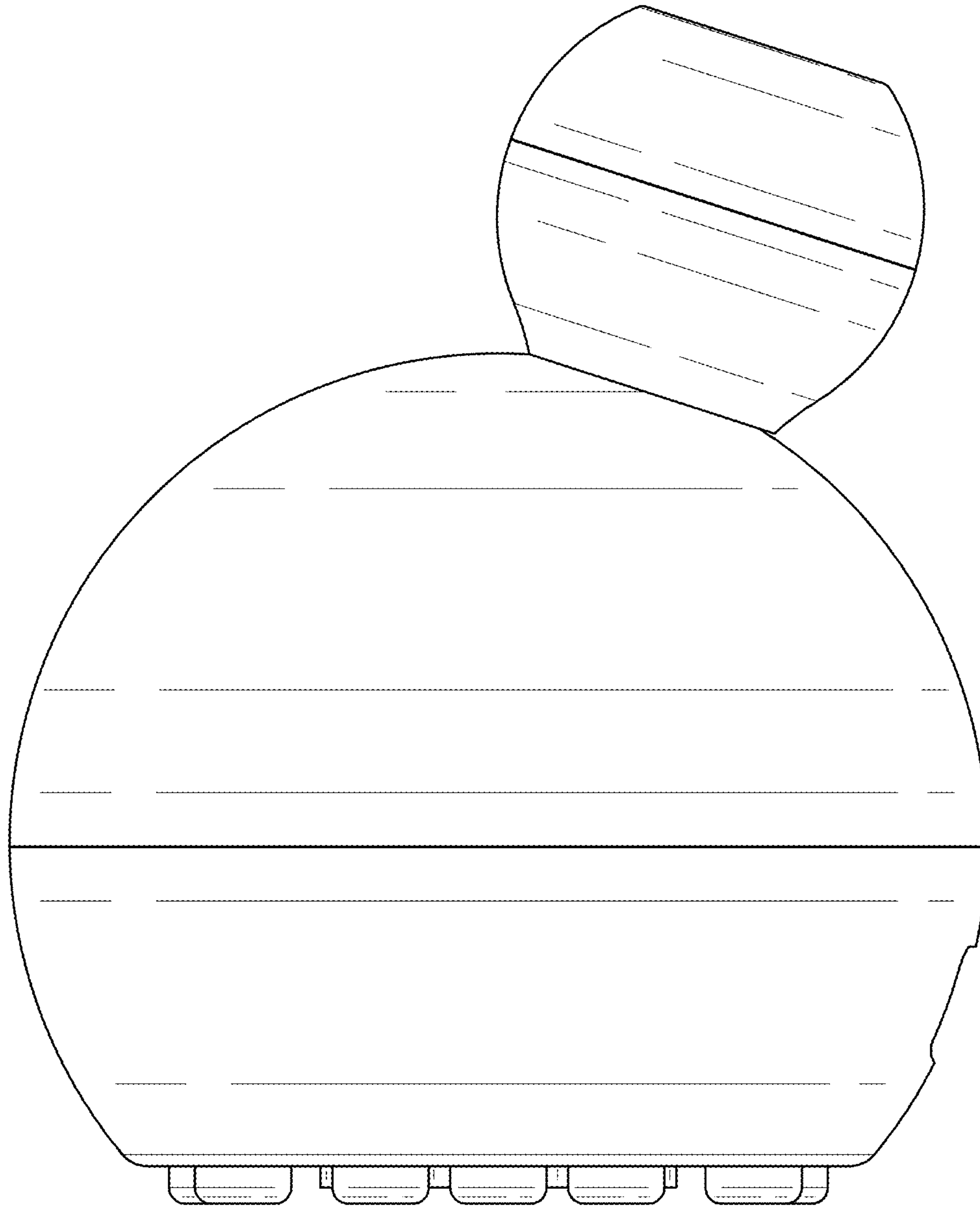


FIG. 5

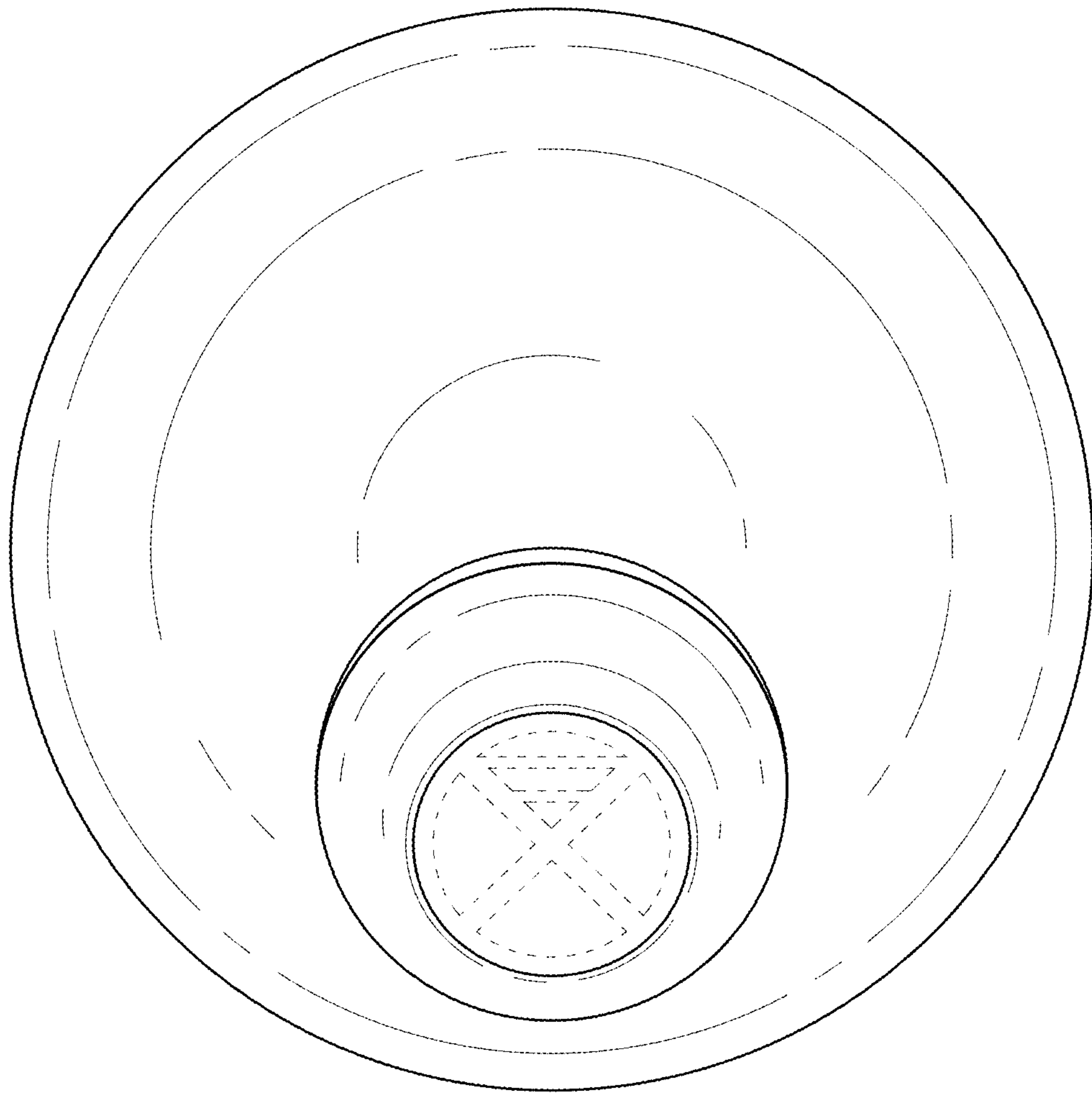


FIG. 6

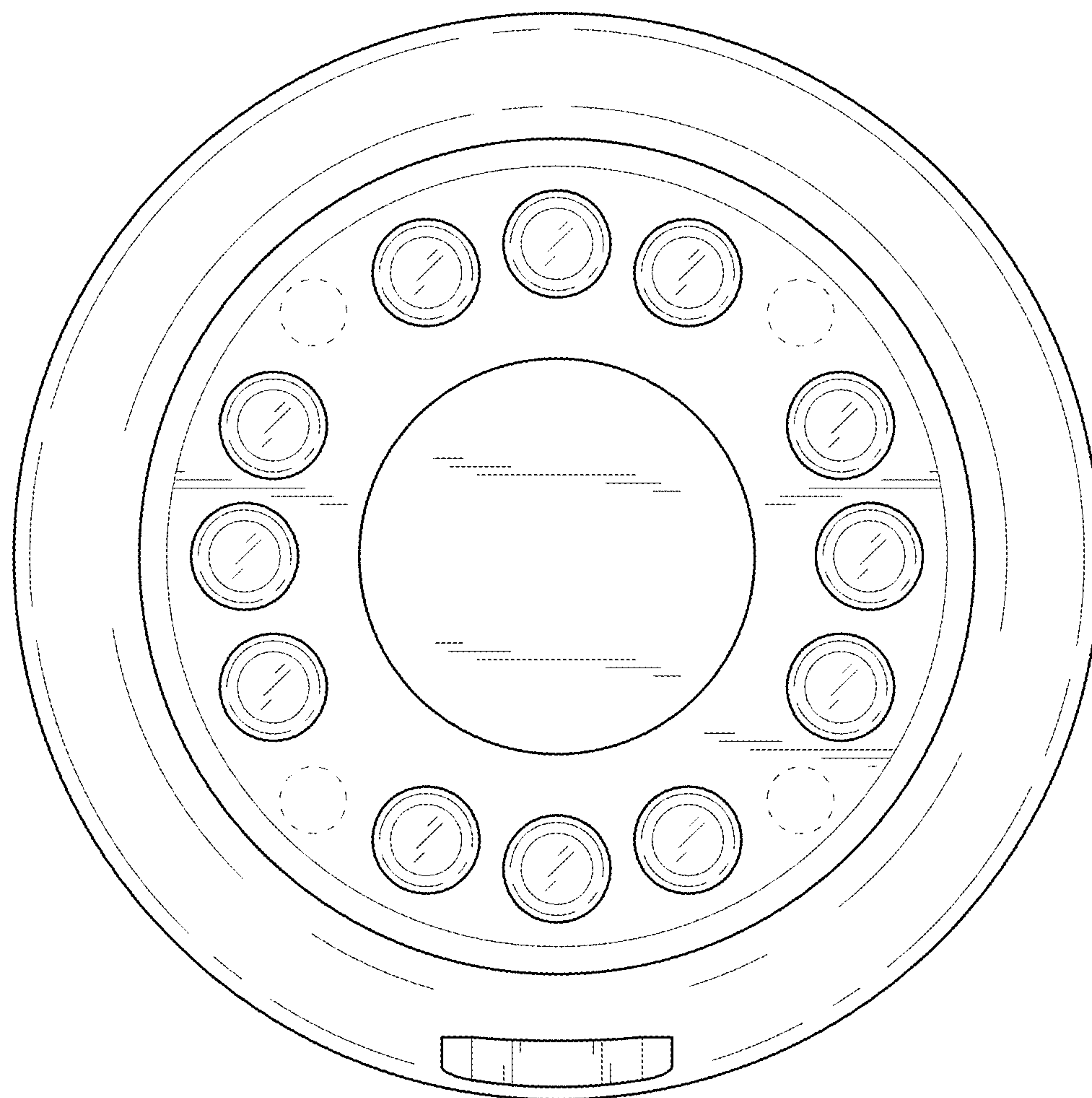


FIG. 7