



US00D896390S

(12) **United States Design Patent** (10) **Patent No.:** **US D896,390 S**
Scott (45) **Date of Patent:** **** Sep. 15, 2020**

(54) **CONSOLE FOR CONTROLLING SURGICAL ROBOT**

(71) Applicant: **CMR SURGICAL LIMITED,**
Cambridge (GB)

(72) Inventor: **Roy Scott,** Cambridge (GB)

(73) Assignee: **CMR Surgical Limited,** Cambridge
(GB)

(**) Term: **15 Years**

(21) Appl. No.: **29/627,994**

(22) Filed: **Nov. 30, 2017**

(30) **Foreign Application Priority Data**

May 30, 2017 (GB) 6013081

(51) **LOC (12) Cl.** **24-03**

(52) **U.S. Cl.**
USPC **D24/185**

(58) **Field of Classification Search**
USPC D24/185, 199, 108, 170, 138, 172;
D21/578; D13/168
CPC A61B 34/71; B25J 9/041; B25J 9/1689
See application file for complete search history.

(56) **References Cited**

U.S. PATENT DOCUMENTS

3,951,271 A * 4/1976 Mette B25J 9/041
414/591
D567,381 S * 4/2008 Olivera D24/185
D743,036 S * 11/2015 Boukhny D24/172
D749,223 S * 2/2016 Vargas D24/185
D803,386 S * 11/2017 Sabin D24/108
D840,360 S * 2/2019 Scott D13/168
D840,536 S * 2/2019 Clifford D24/138

D840,542 S * 2/2019 Lapaev D24/170
10,206,752 B2 * 2/2019 Hares B25J 9/1689
D846,127 S * 4/2019 Yang D24/185
D849,953 S * 5/2019 Lapaev D24/170
10,299,873 B2 * 5/2019 Hares A61B 34/71
D852,285 S * 6/2019 Qi D21/578
D859,634 S * 9/2019 Hochman D24/108
10,398,516 B2 * 9/2019 Jackson

* cited by examiner

Primary Examiner — Rhea Shields

(74) *Attorney, Agent, or Firm* — Mintz Levin Cohn Ferris
Glovsky and Popeo, P.C.

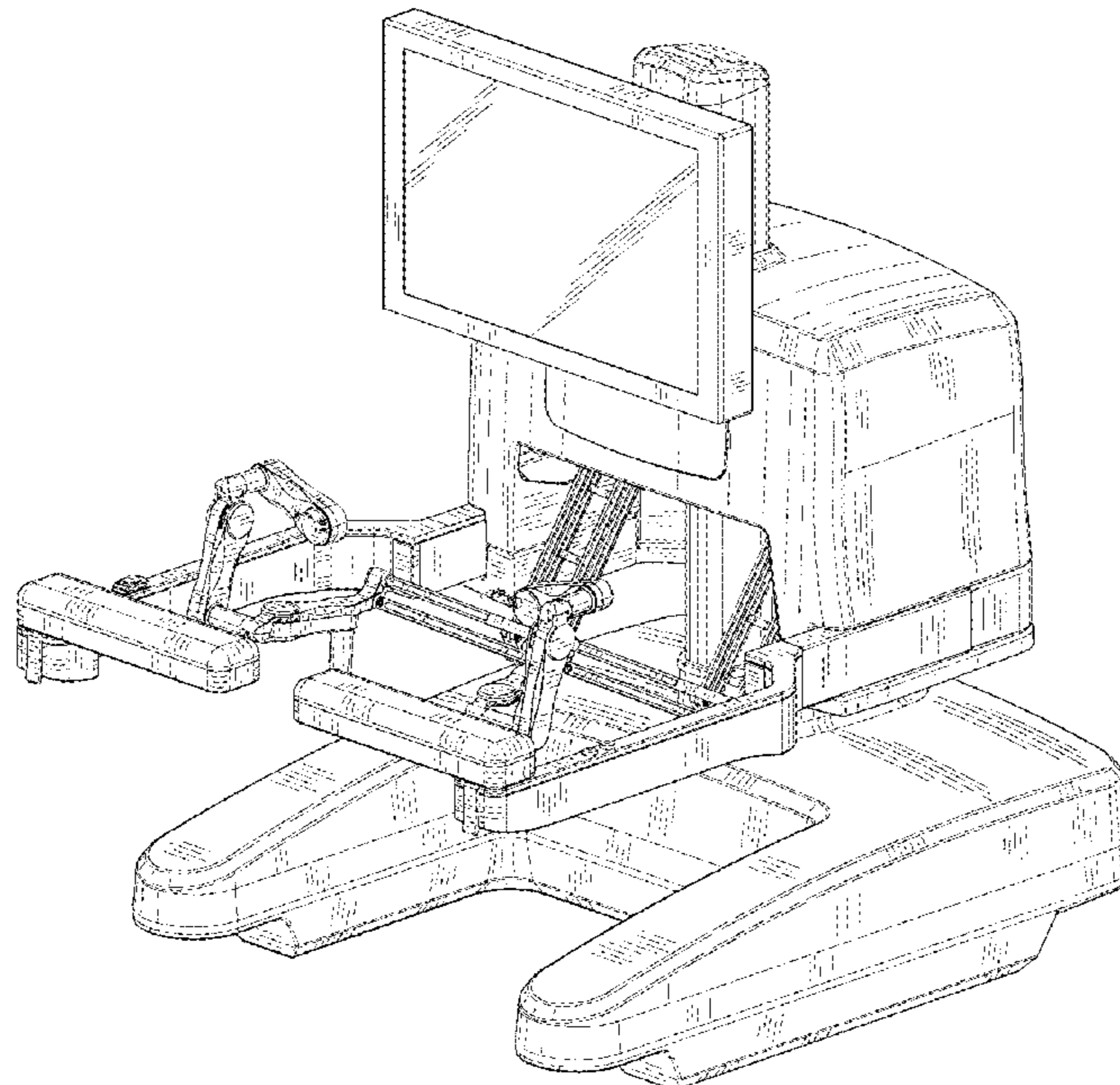
(57) **CLAIM**

The ornamental design for a console for controlling a
surgical robot, as shown and described.

DESCRIPTION

FIG. 1 is a top, right-side, front perspective view of a
console for controlling surgical robot;
FIG. 2 is a top, left-side, rear perspective view of the console
for controlling surgical robot of FIG. 1;
FIG. 3 is a left-side elevation view of the console for
controlling surgical robot of FIG. 1;
FIG. 4 is a front elevation view of the console for controlling
surgical robot of FIG. 1;
FIG. 5 is a right-side elevation view of the console for
controlling surgical robot of FIG. 1;
FIG. 6 is a back elevation view of the console for controlling
surgical robot of FIG. 1; and,
FIG. 7 is a top plan view of the console for controlling
surgical robot of FIG. 1.
The broken lines illustrate portions of the console for
controlling surgical robot that form no part of the claimed
design.

1 Claim, 7 Drawing Sheets



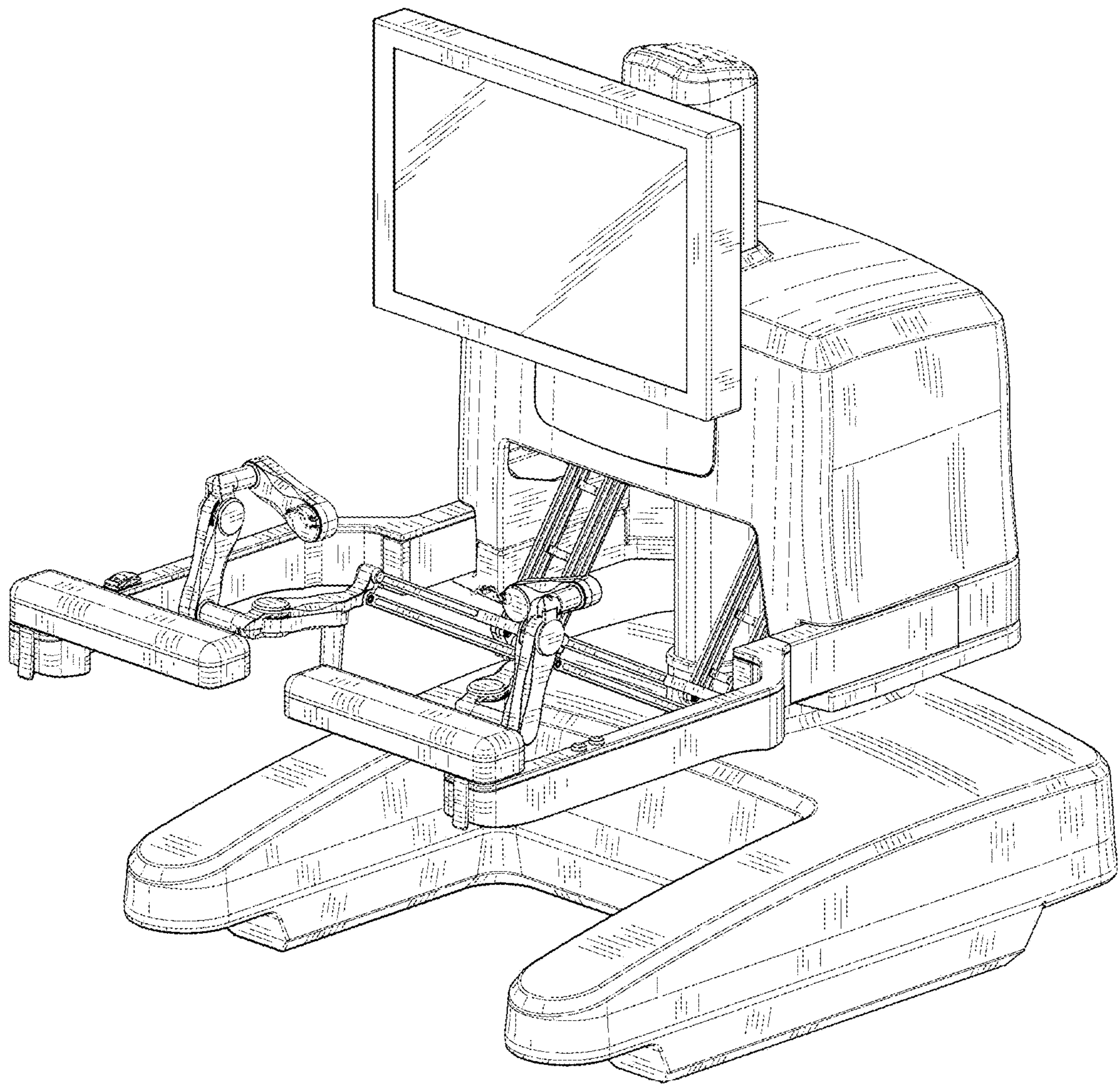


FIG. 1

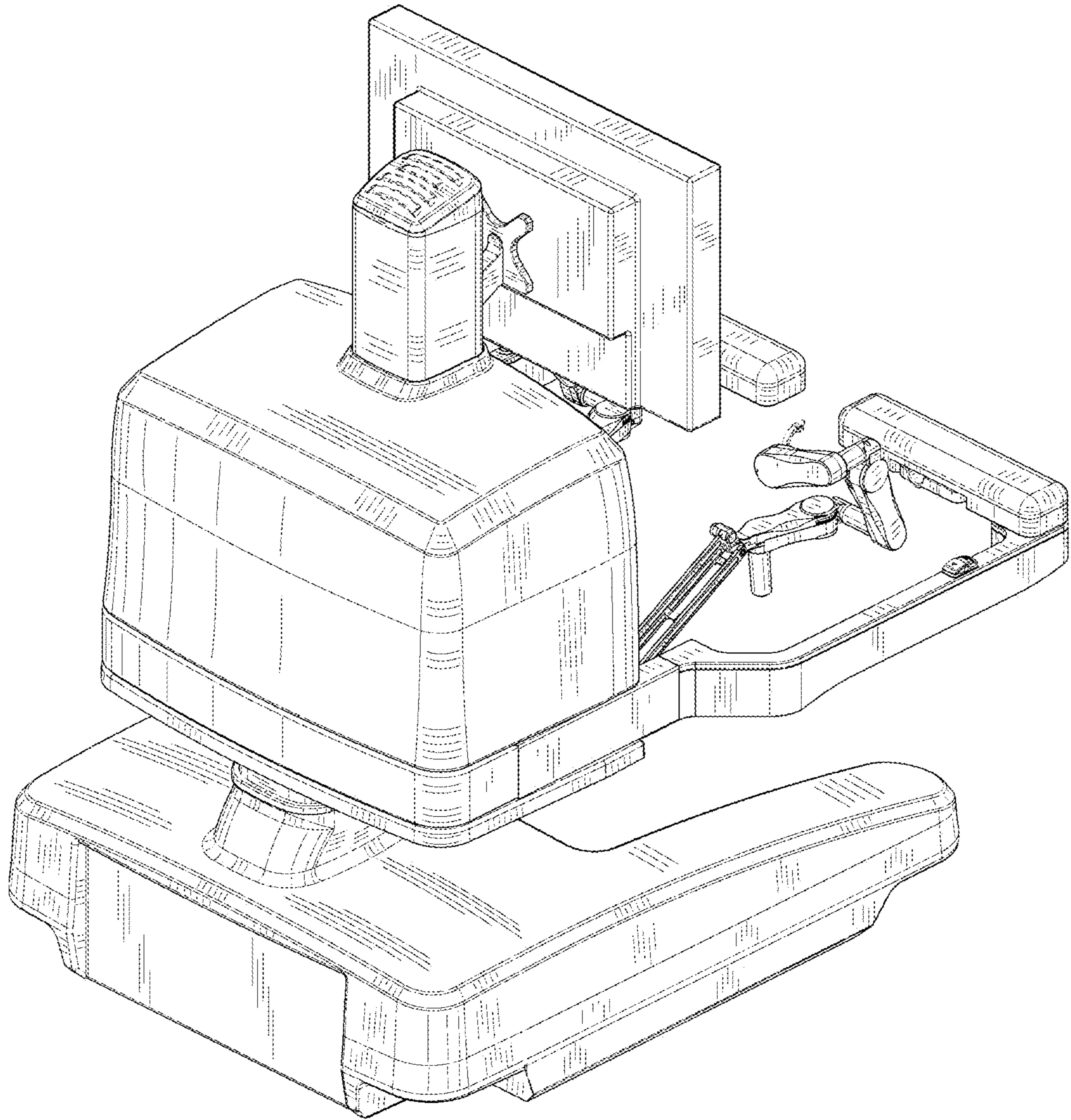


FIG. 2

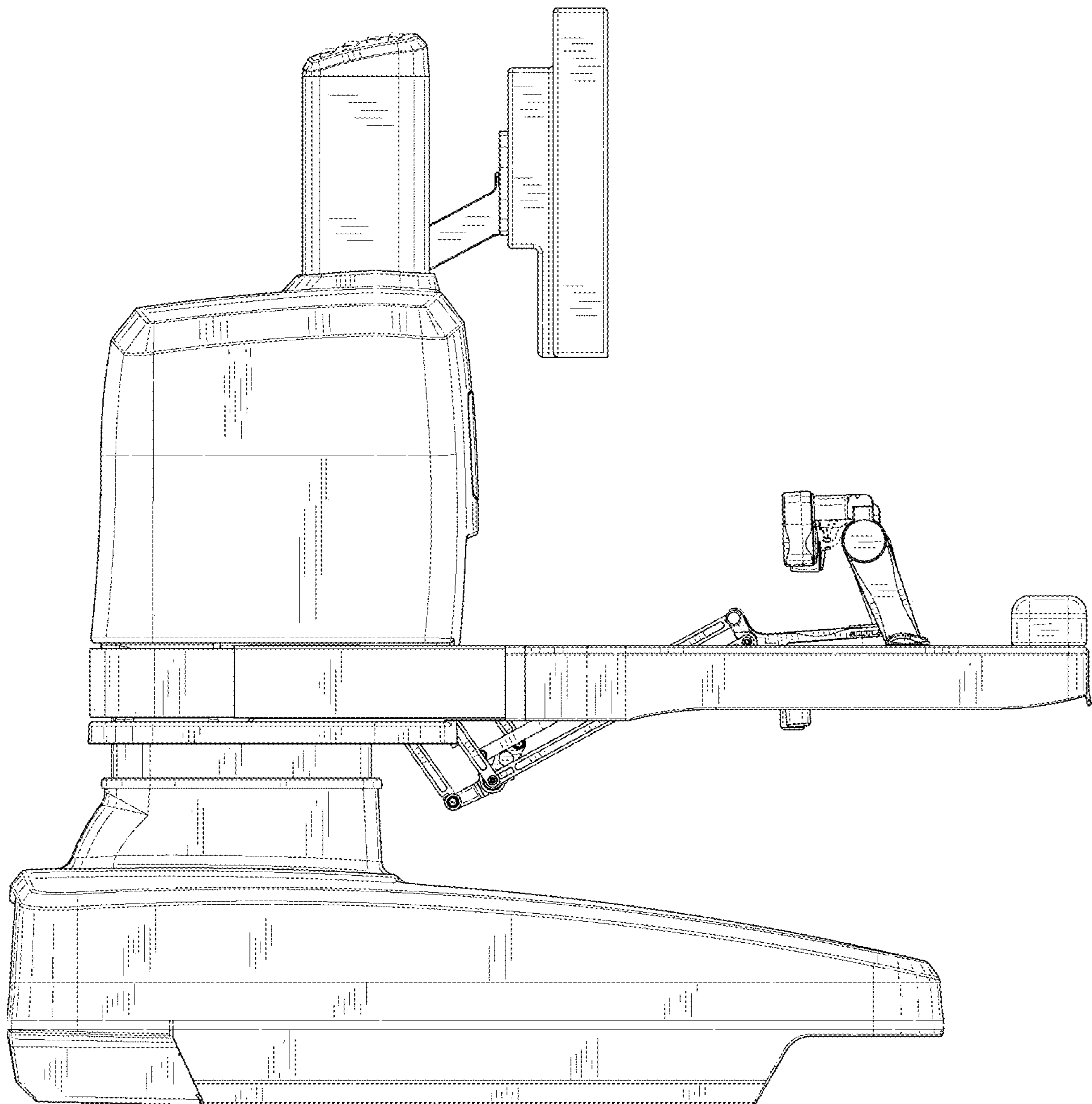


FIG. 3

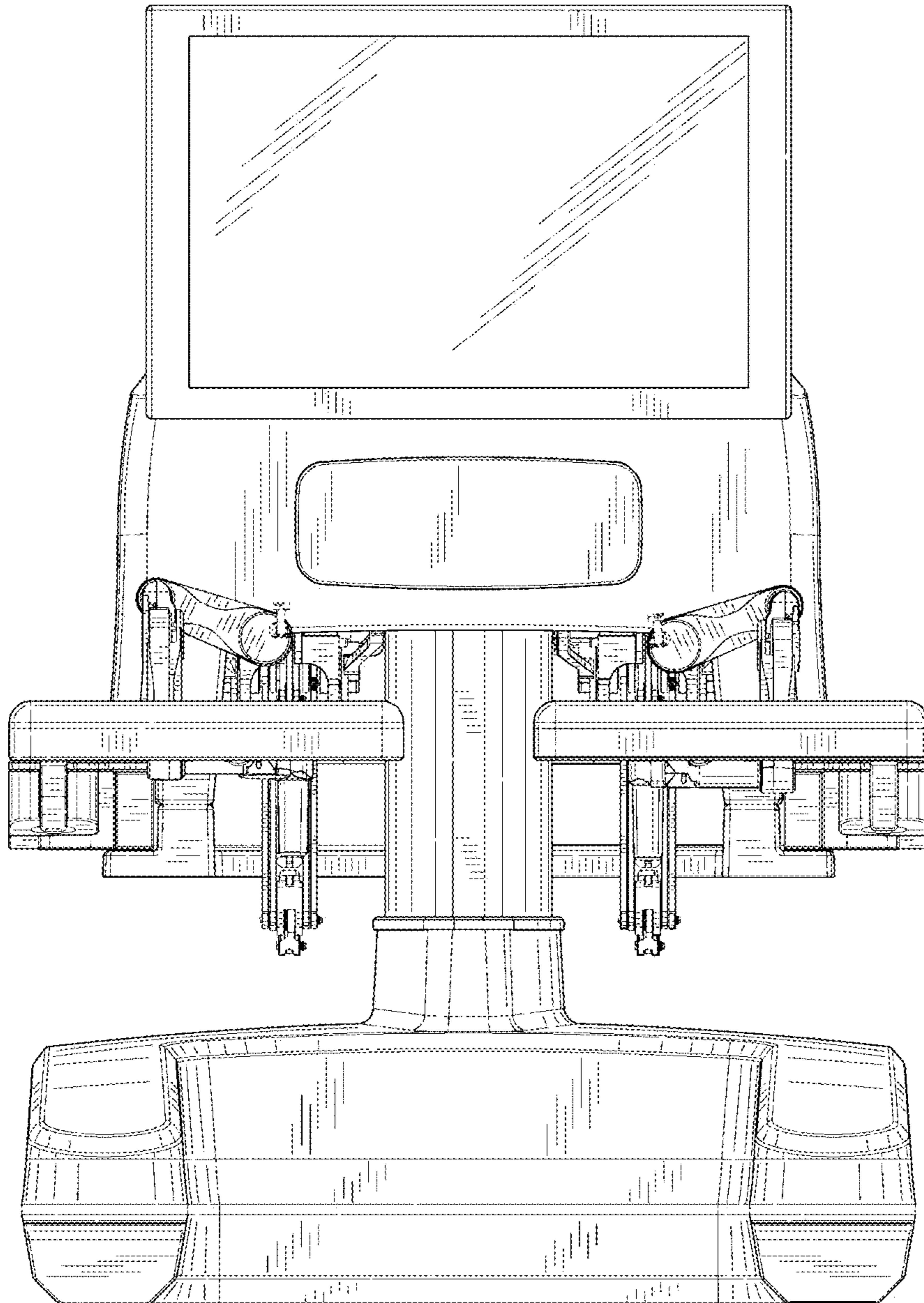


FIG. 4

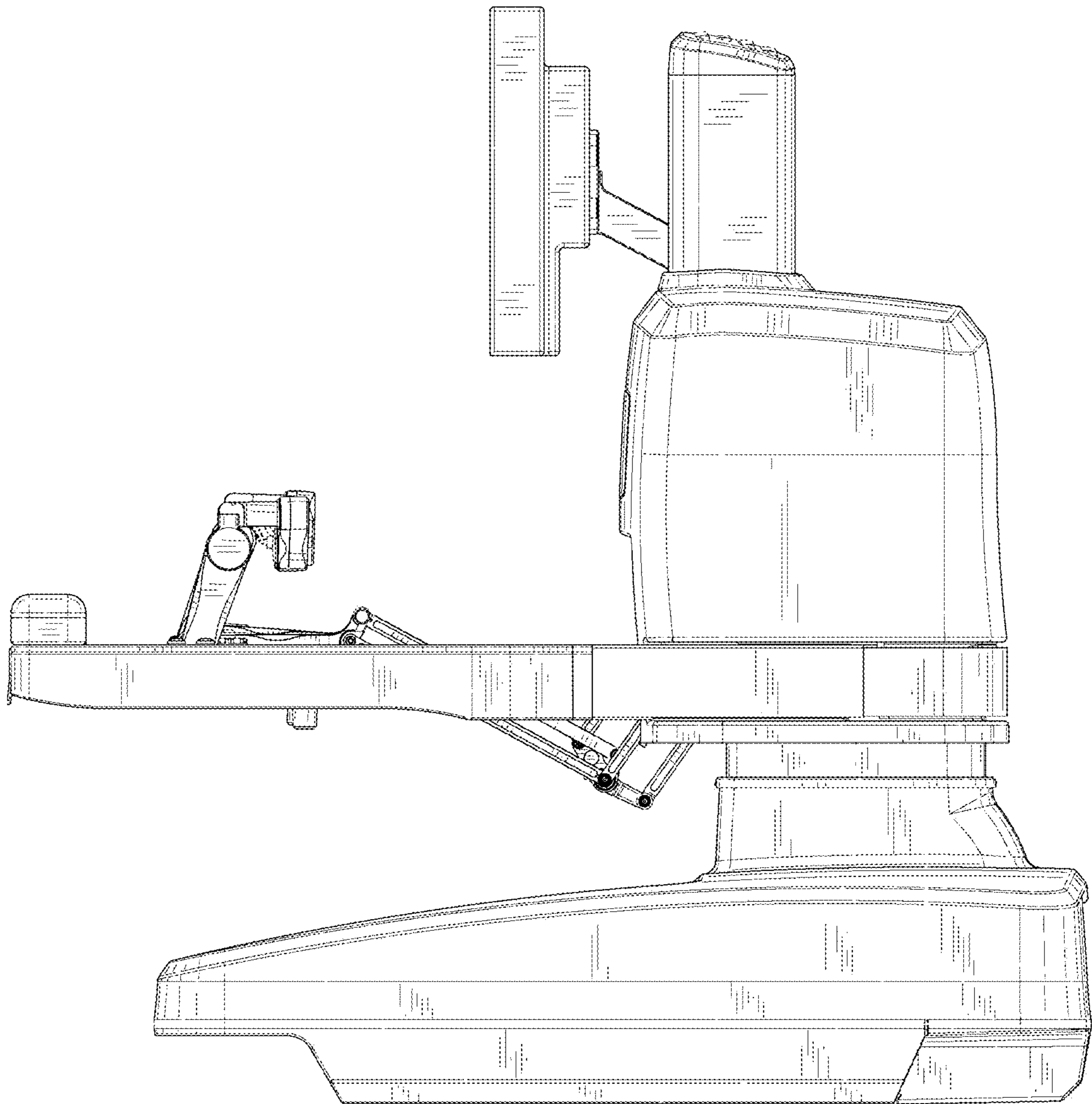


FIG. 5

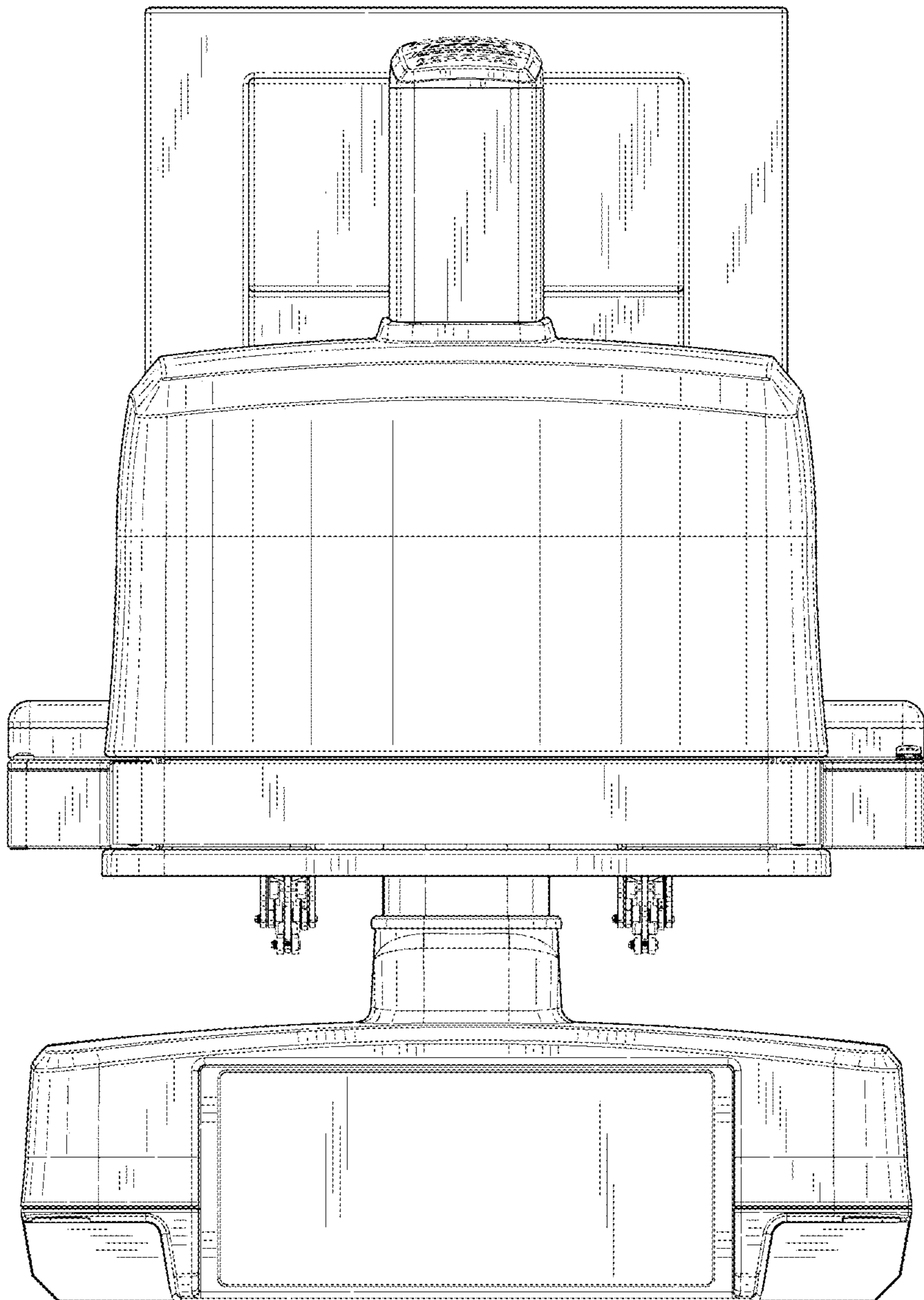


FIG. 6

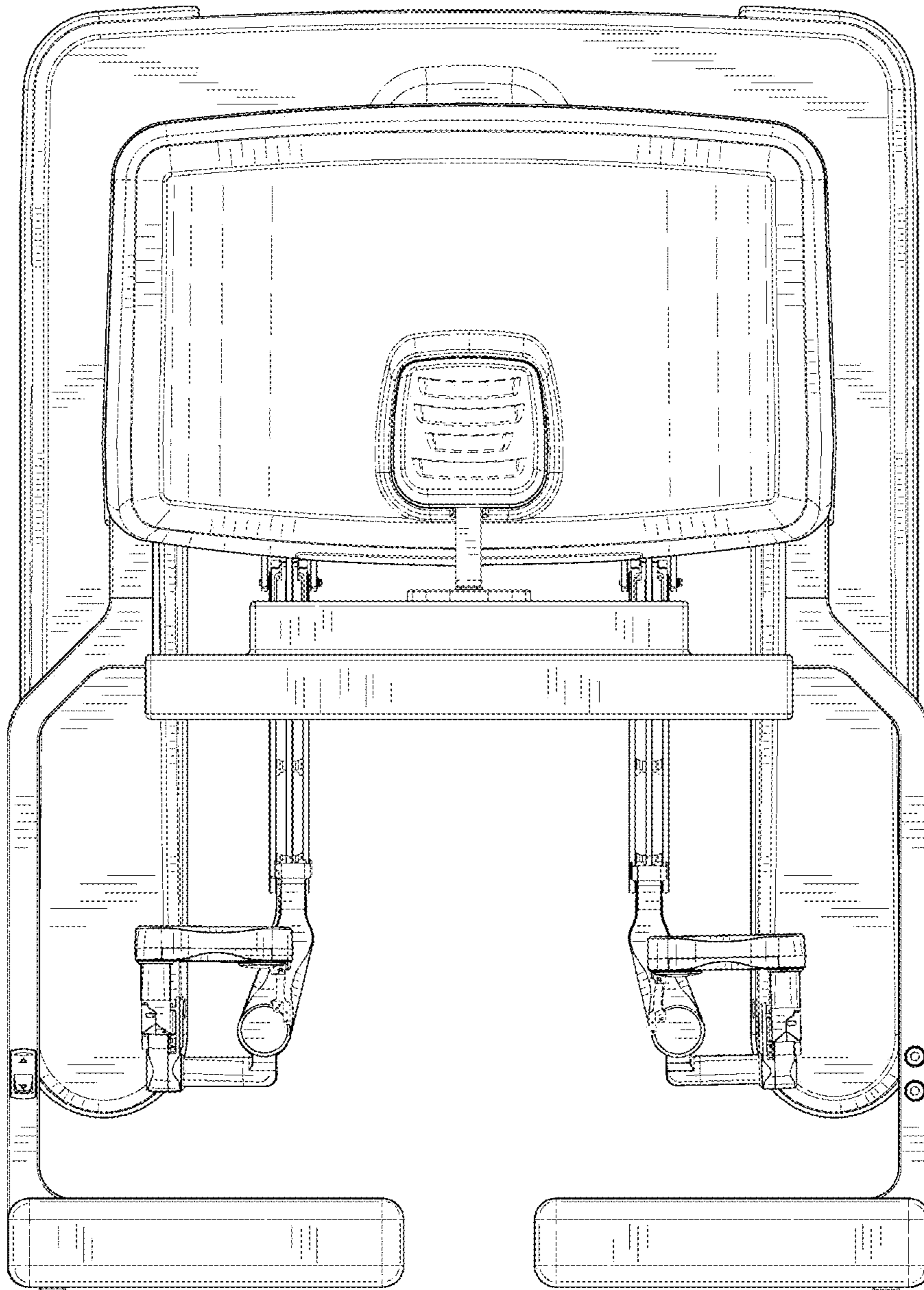


FIG. 7