



US00D896387S

(12) **United States Design Patent**
Shi et al.

(10) **Patent No.:** **US D896,387 S**

(45) **Date of Patent:** **** Sep. 15, 2020**

(54) **HEARING AID**

(71) Applicant: **Xiamen Retone Hearing Technology Co., Ltd.**, Fujian (CN)

(72) Inventors: **Yiquan Shi**, Fujian (CN); **Chengxiang Zhang**, Fujian (CN)

(**) Term: **15 Years**

(21) Appl. No.: **29/691,042**

(22) Filed: **May 14, 2019**

(51) **LOC (12) Cl.** **24-99**

(52) **U.S. Cl.**
USPC **D24/174**

(58) **Field of Classification Search**
USPC D24/173-175; D14/205, 223-226, 249, D14/230, 231, 236
CPC .. H04R 2225/025; H04R 25/60; H04R 25/63; H04R 25/67; H04R 25/602; H04R 25/604; H04R 25/608; H04R 25/65; H04R 25/652

See application file for complete search history.

(56) **References Cited**

U.S. PATENT DOCUMENTS

D698,025 S * 1/2014 Jensen D24/174
D705,936 S * 5/2014 Lockenwitz D24/174

D797,940 S * 9/2017 Tipsmark D24/174
D806,251 S * 12/2017 Lockenwitz D24/174
D806,252 S * 12/2017 Lockenwitz D24/174
D855,187 S * 7/2019 Lockenwitz D24/174
D855,188 S * 7/2019 Lockenwitz D24/174
D872,280 S * 1/2020 Shi D24/174

* cited by examiner

Primary Examiner — Anhdao Doan

(74) *Attorney, Agent, or Firm* — Prakash Nama; Global IP Servies, PLLC

(57) **CLAIM**

The ornamental design for a hearing aid, as shown and described.

DESCRIPTION

FIG. 1 is a front elevational view of a hearing aid showing our new design;

FIG. 2 is a rear elevational view thereof;

FIG. 3 is an enlarged left side view thereof;

FIG. 4 is an enlarged right side view thereof;

FIG. 5 is a top plan view thereof;

FIG. 6 is a bottom plan view thereof;

FIG. 7 is a perspective view thereof;

FIG. 8 is a second perspective view thereof; and,

FIG. 9 is a third perspective view thereof.

The broken lines represent the boundaries of the claim and form no part of the claimed design.

1 Claim, 9 Drawing Sheets

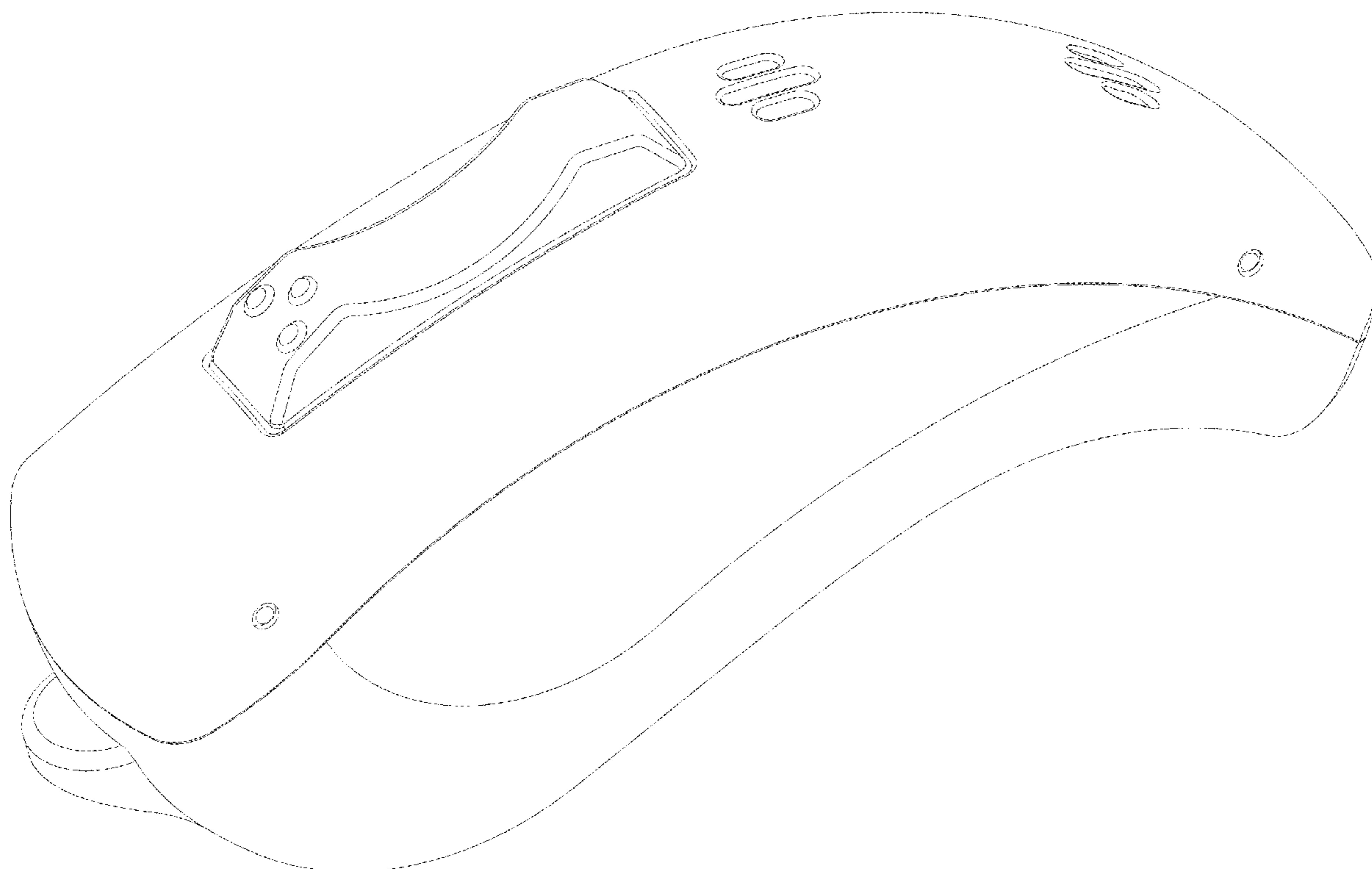




Fig. 1

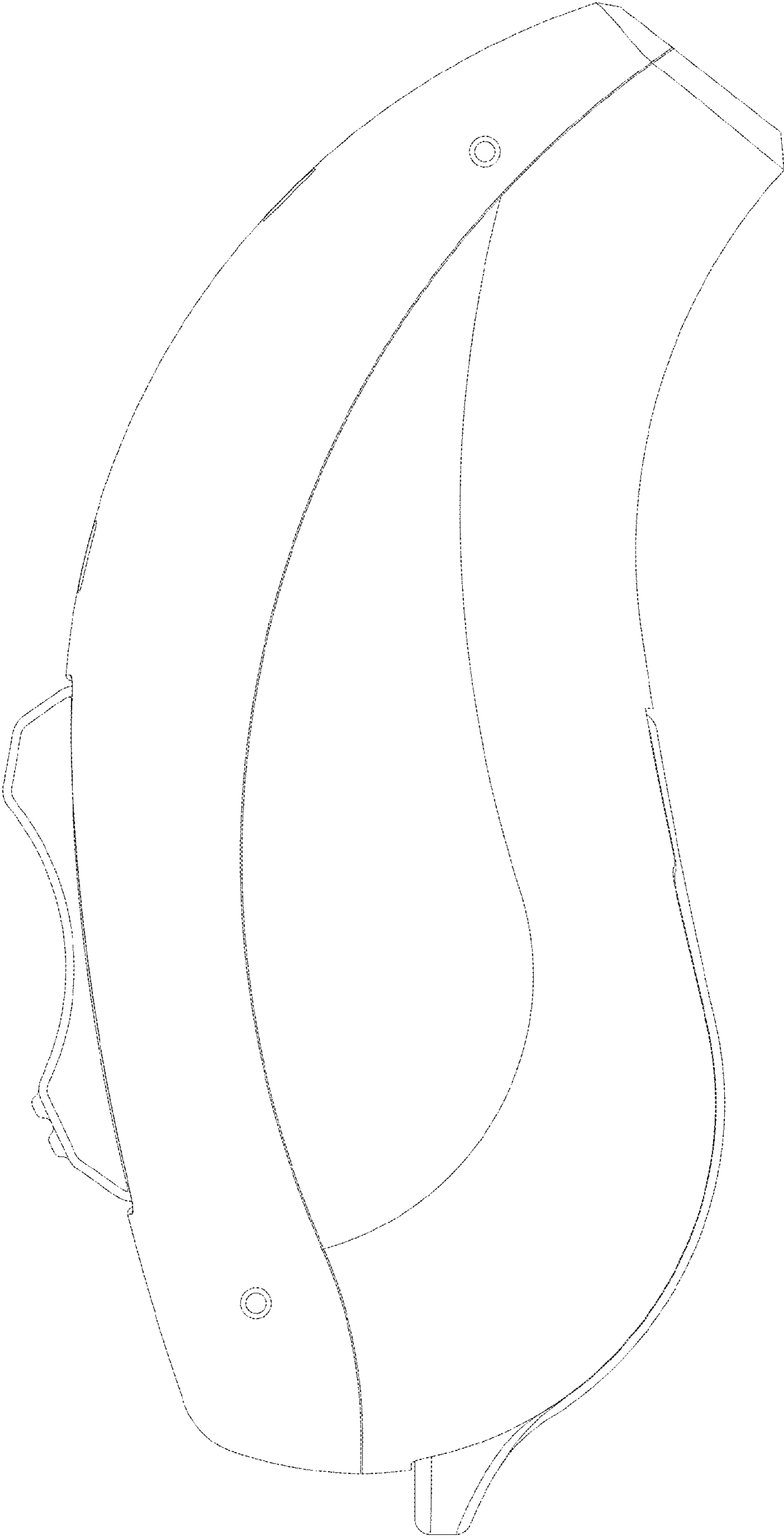


FIG. 2

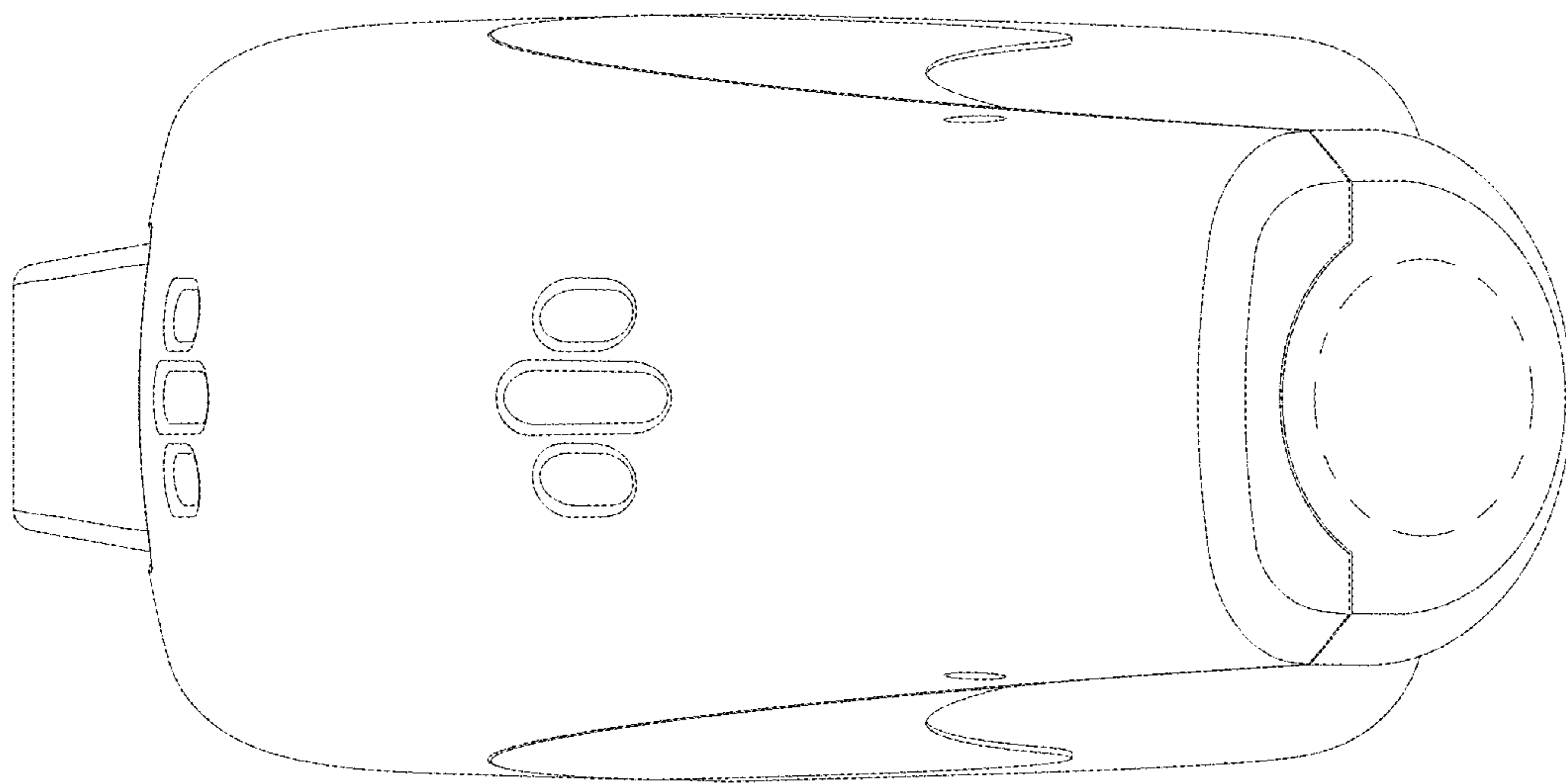


Fig. 3

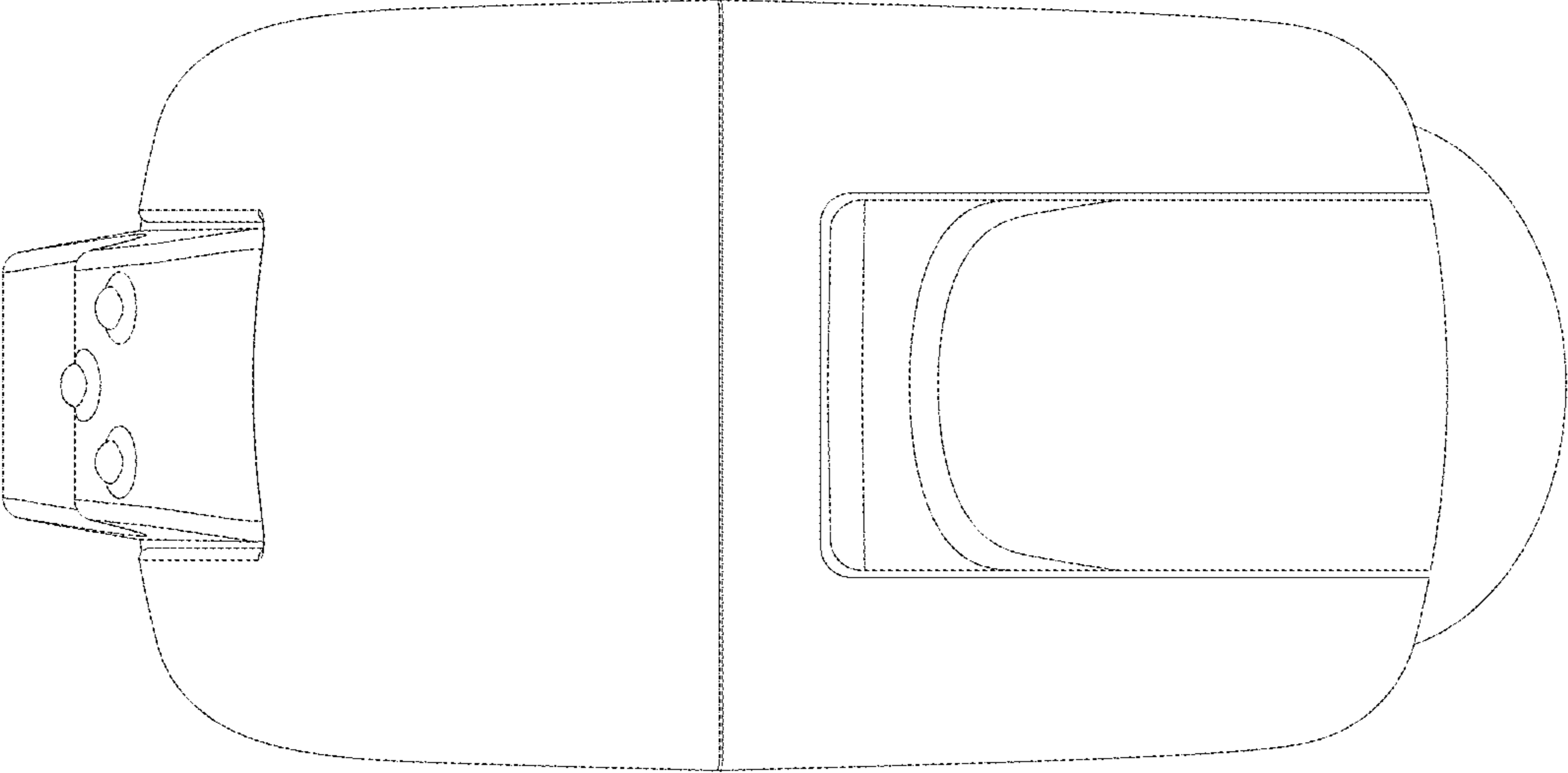


FIG. 4

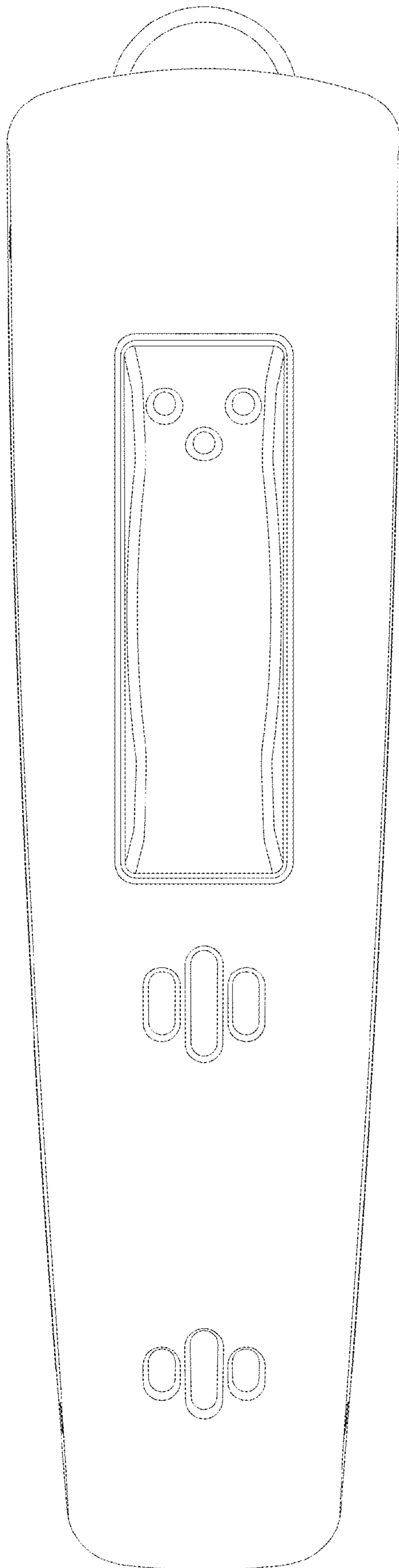


FIG. 5

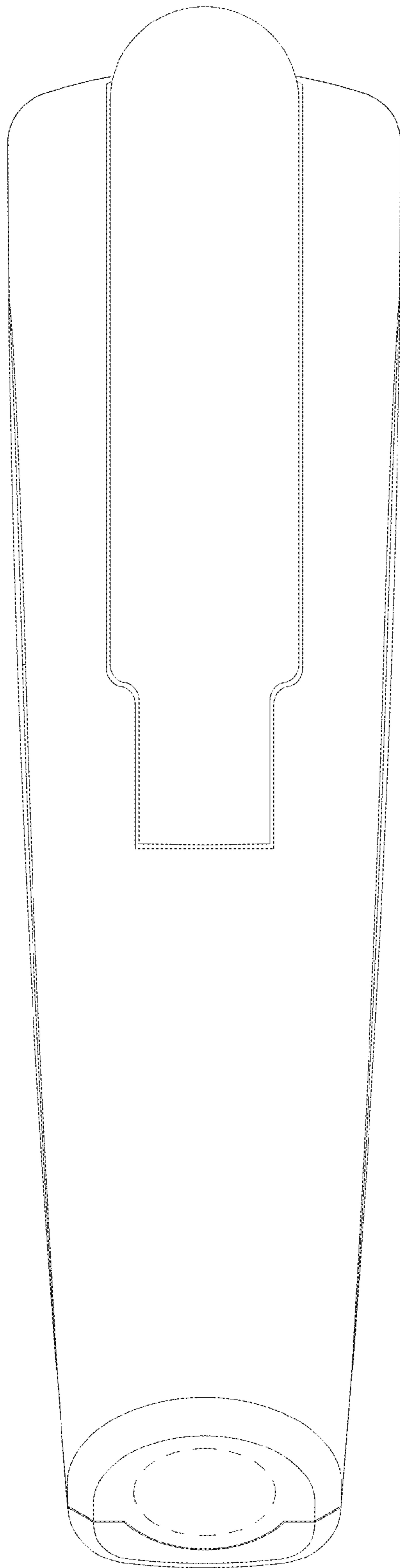


Fig. 6



Fig. 7

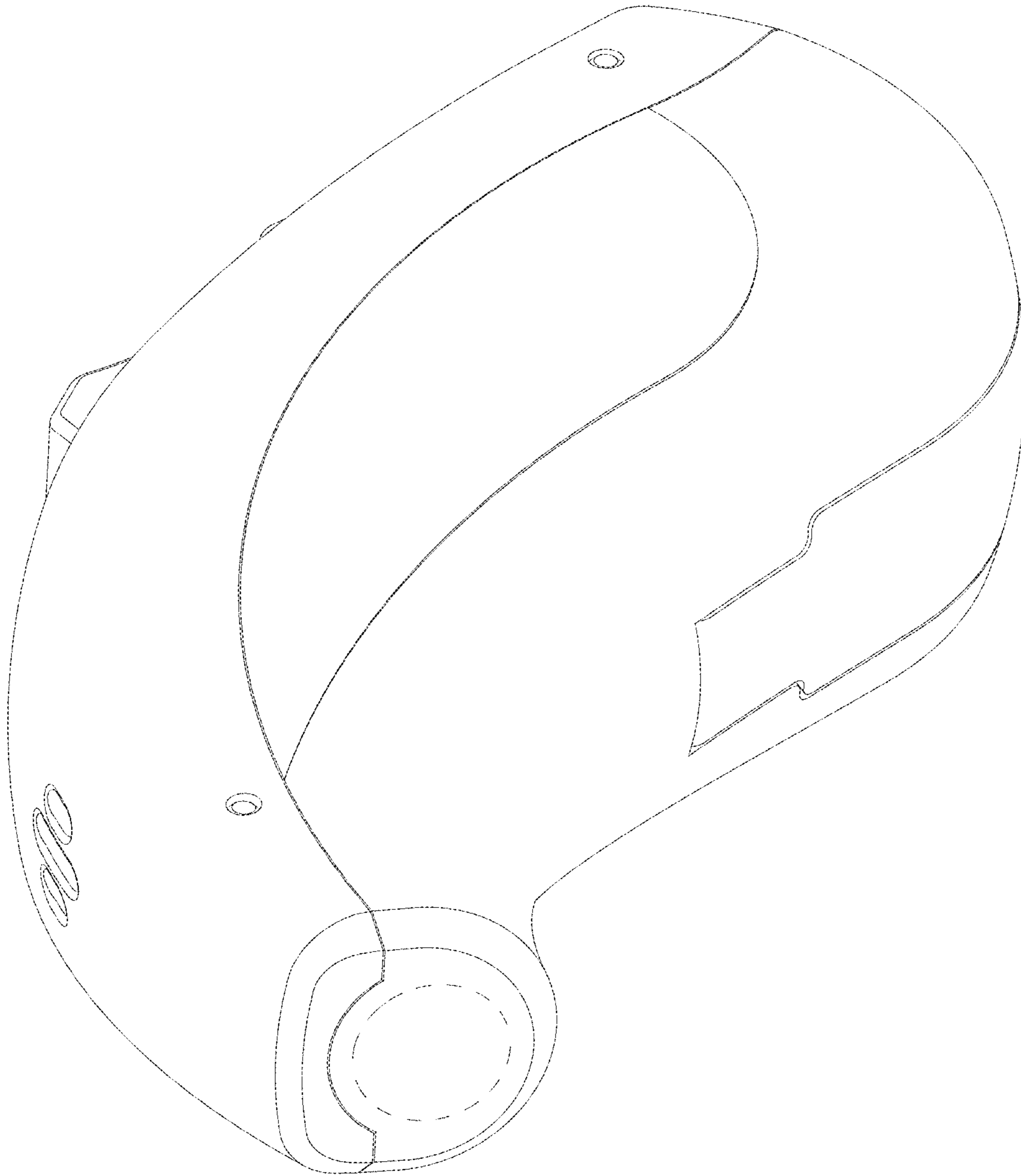


Fig. 8

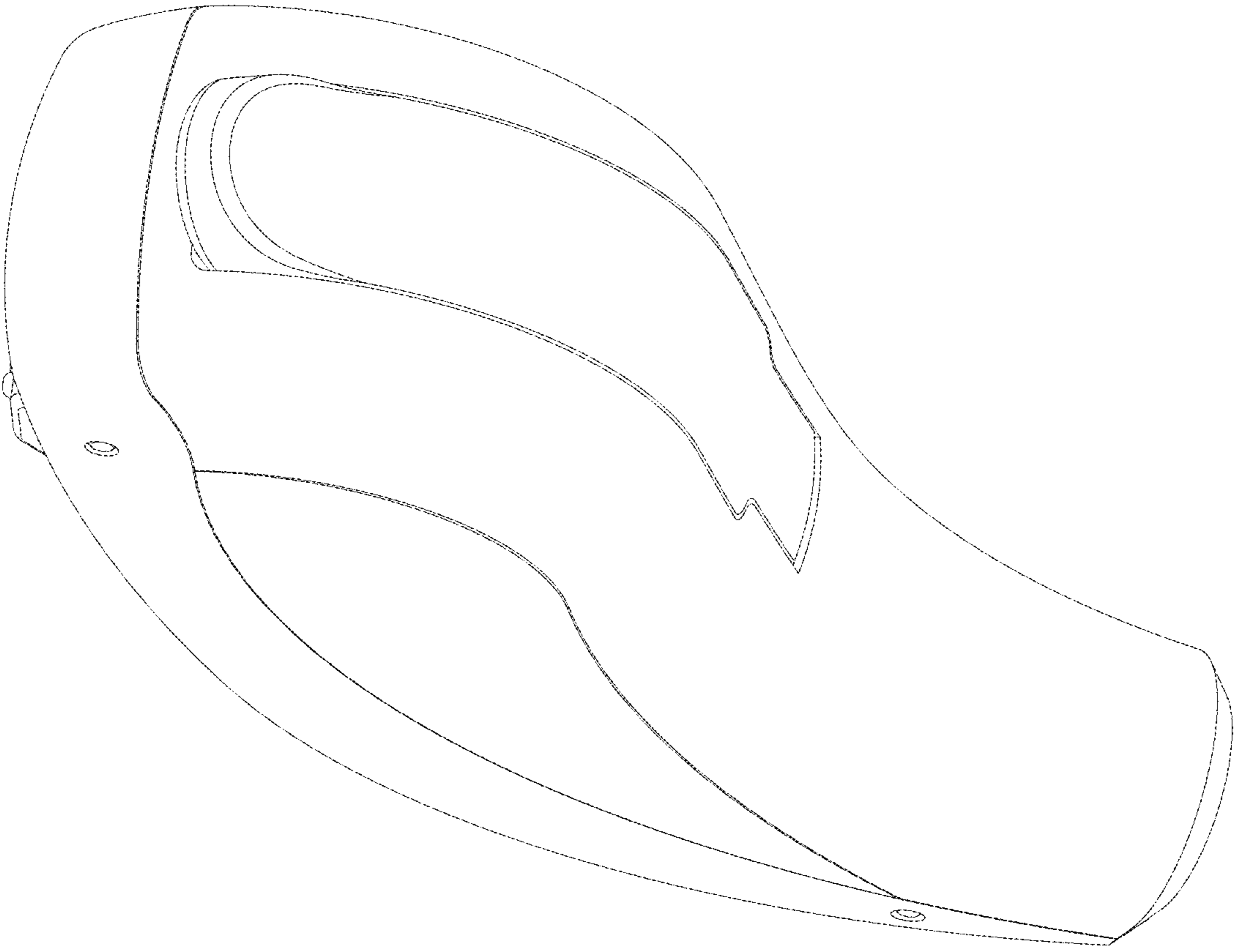


Fig. 9