



US00D896378S

(12) **United States Design Patent** (10) **Patent No.:** **US D896,378 S**
McCusker et al. (45) **Date of Patent:** **** *Sep. 15, 2020**

(54) **BIPOLAR FORCEPS**
(71) Applicant: **INTEGRA LIFESCIENCES CORPORATION**, Plainsboro, NJ (US)
(72) Inventors: **Daniel McCusker**, Bridgewater, MA (US); **Michael A. Defusco**, North Attleboro, MA (US)
(73) Assignee: **INTEGRA LIFESCIENCES CORPORATION**, Plainsboro, NJ (US)

6,293,946 B1 9/2001 Thorne
6,296,637 B1 10/2001 Thorne
6,533,781 B2 3/2003 Heim
6,592,583 B2* 7/2003 Hirano A61B 18/1442
606/50
6,749,610 B2 6/2004 Kirwan, Jr.
7,160,297 B2 1/2007 Nesbitt
7,288,091 B2 10/2007 Nesbitt
D559,984 S * 1/2008 Scheller D24/143
7,390,326 B2 6/2008 Nesbitt
7,718,212 B2 5/2010 Nesbitt
7,867,230 B2 1/2011 Asahara
7,955,637 B2 6/2011 Nesbitt
8,361,070 B2 1/2013 Hanlon
D707,816 S * 6/2014 Lamontagne D24/143
D707,817 S * 6/2014 Schallert D24/143
9,242,351 B2* 1/2016 Butsch A61B 17/30
9,320,562 B2* 4/2016 Kienzle A61B 17/30
D771,810 S * 11/2016 Kirwan, Jr. D24/143
D794,789 S * 8/2017 Kirwan, Jr. D24/143
D813,388 S * 3/2018 Anderson D24/143
2002/0010464 A1 1/2002 Kirwan, Jr.

(*) Notice: This patent is subject to a terminal disclaimer.

(**) Term: **15 Years**

(21) Appl. No.: **29/588,658**

(22) Filed: **Dec. 22, 2016**

(51) **LOC (12) Cl.** **24-02**

(52) **U.S. Cl.**
USPC **D24/143**

(58) **Field of Classification Search**
USPC D24/143-144; D28/55
CPC B25B 9/02; A61B 17/28-17/30; A61B 18/1442; A61B 18/1445; A61B 2018/1462

See application file for complete search history.

(56) **References Cited**

U.S. PATENT DOCUMENTS

3,685,518 A	8/1972	Beuerle
4,314,559 A	2/1982	Allen
4,745,035 A	5/1988	Saurer
5,382,247 A	1/1995	Cimino
5,383,876 A	1/1995	Nardella
5,891,142 A	4/1999	Eggers
5,925,039 A	7/1999	Landingham
5,925,045 A	7/1999	Reimels
6,241,723 B1	6/2001	Heim
6,287,305 B1	9/2001	Heim

(Continued)
Primary Examiner — Wan Laymon
(74) *Attorney, Agent, or Firm* — Troutman Sanders LLP

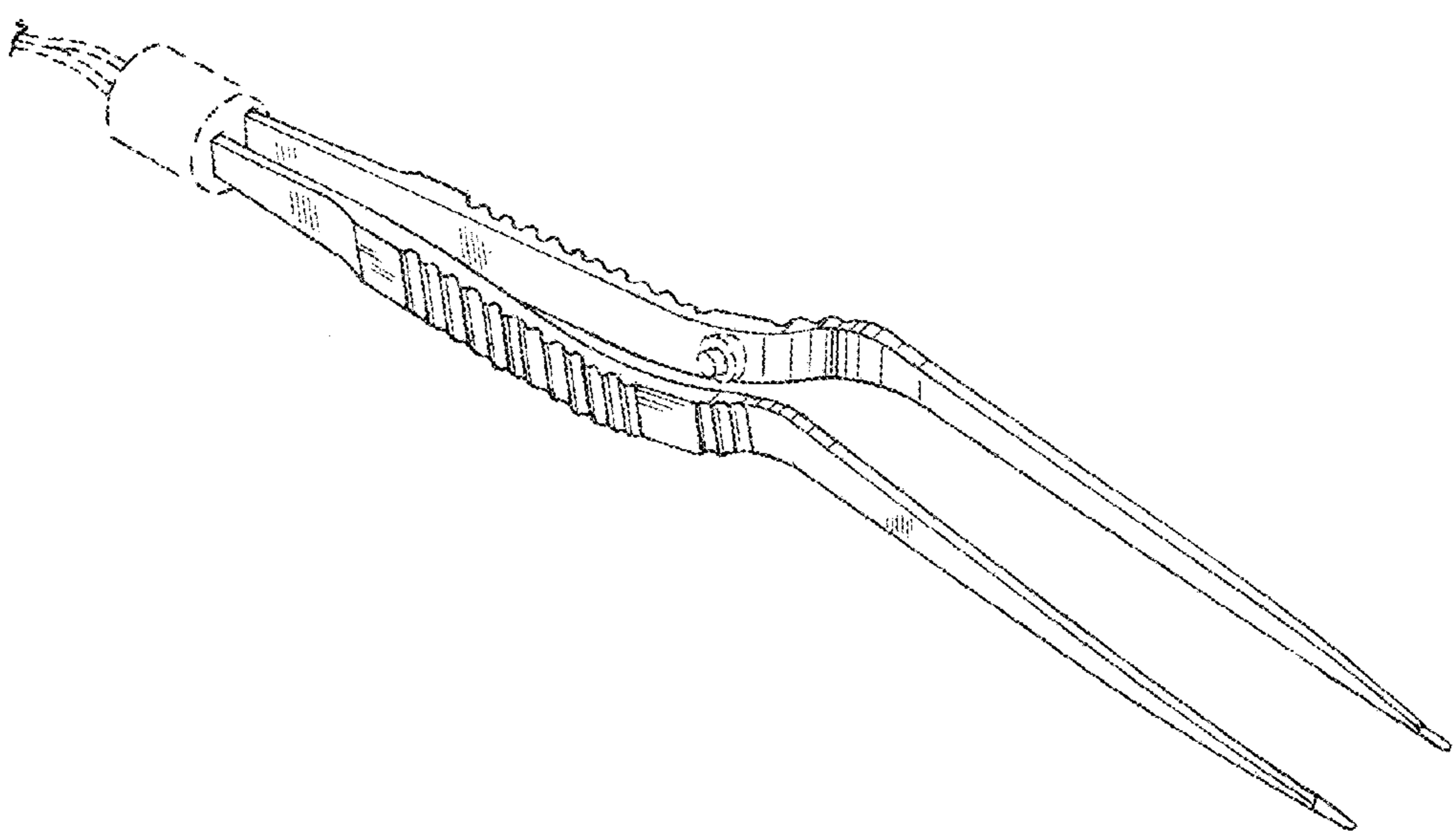
(57) **CLAIM**

The ornamental design for a bipolar forceps, as shown and described.

DESCRIPTION

FIG. 1 is a perspective view of the bipolar forceps; FIG. 2 is a front view of the bipolar forceps; FIG. 3 is a right side view of the bipolar forceps, the left side view being a mirror image thereof; FIG. 4 is a rear view of the bipolar forceps; FIG. 5 is a top view of the bipolar forceps; and, FIG. 6 is a bottom view of the bipolar forceps. The broken lines shown in the figures are included for the purpose of illustrating portions of the bipolar forceps and form no part of the claimed design.

1 Claim, 2 Drawing Sheets



(56)

References Cited

U.S. PATENT DOCUMENTS

2007/0055226	A1	3/2007	Garito
2007/0208341	A1	9/2007	Kirwan
2013/0053846	A1	2/2013	Hanlon
2015/0004434	A1	1/2015	Goodrich
2015/0196348	A1	7/2015	Yates
2016/0007992	A1	1/2016	Yates
2016/0008023	A1	1/2016	Yates
2016/0074094	A1	3/2016	Janssen
2016/0262779	A1	9/2016	Kirwan, Jr.
2017/0265934	A1*	9/2017	Secord A61B 18/1442

* cited by examiner

FIG. 2

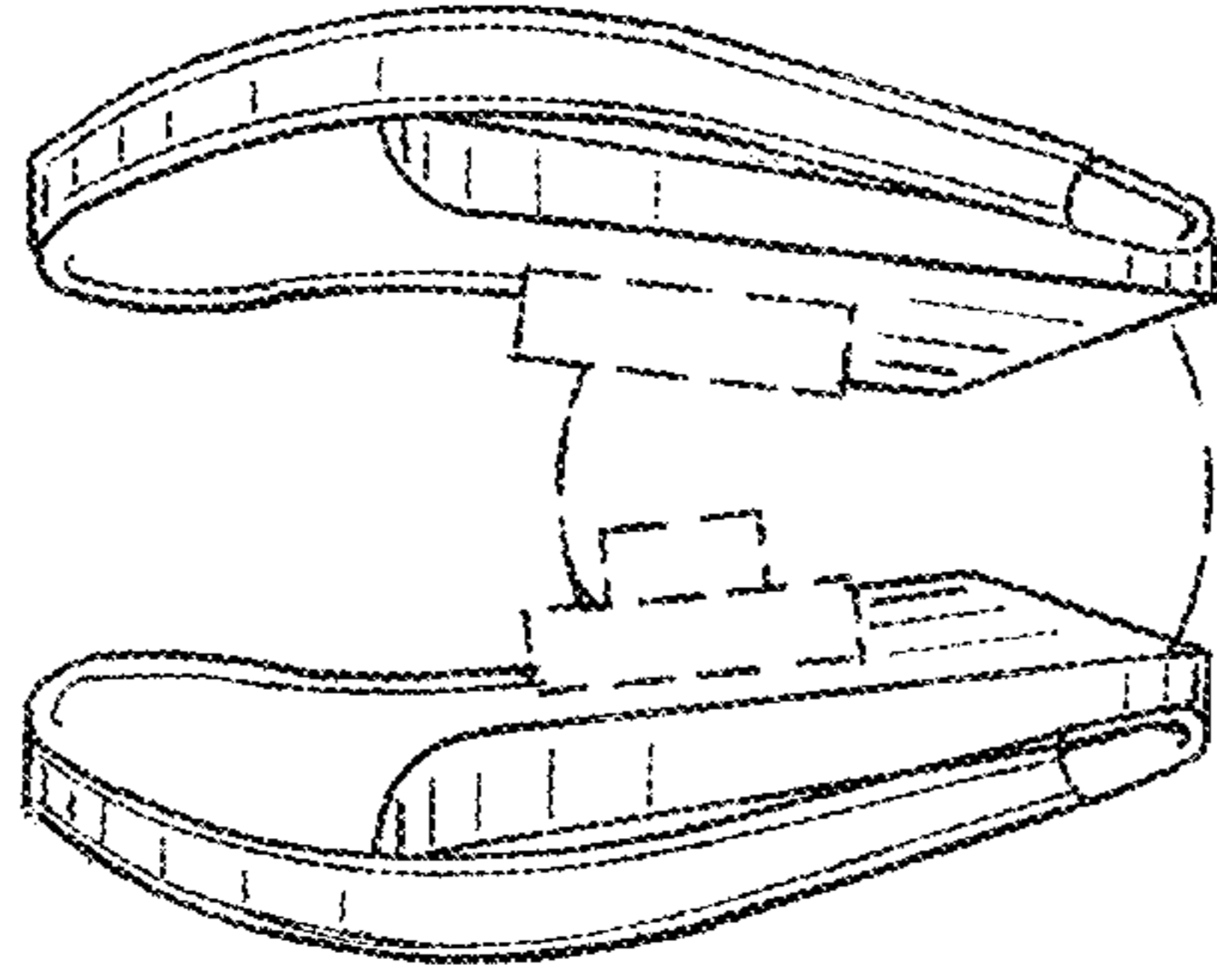


FIG. 1

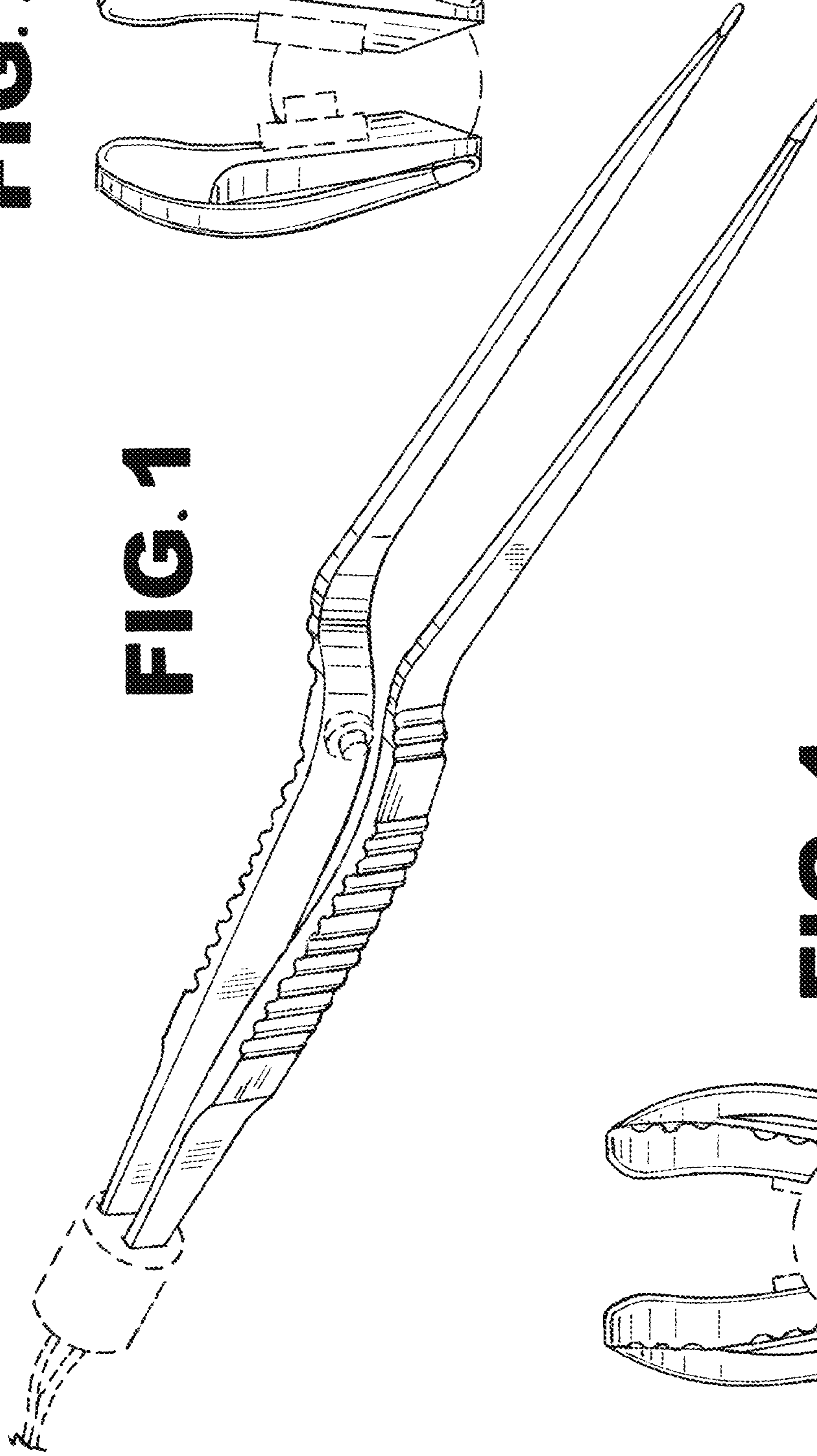


FIG. 4

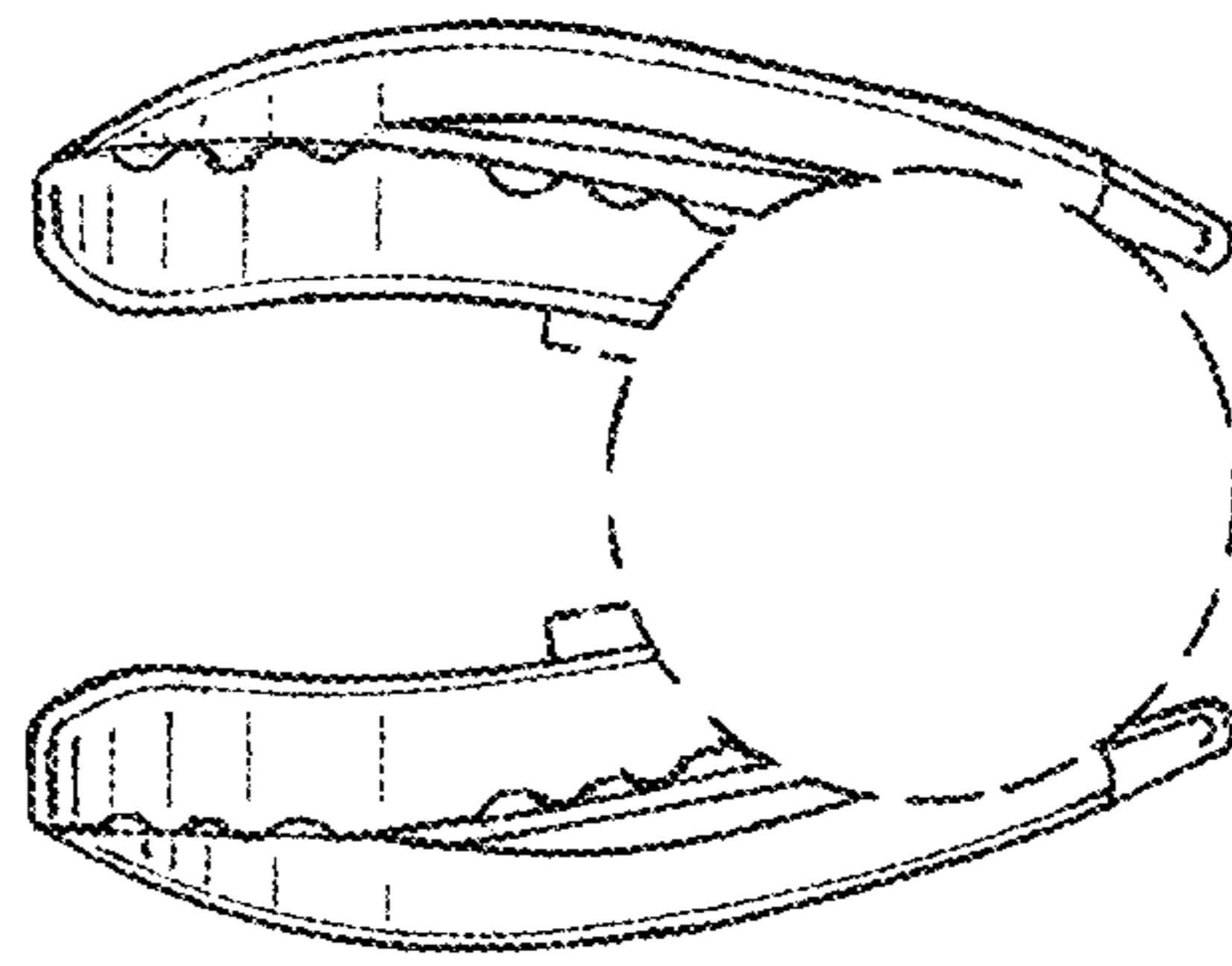


FIG. 3

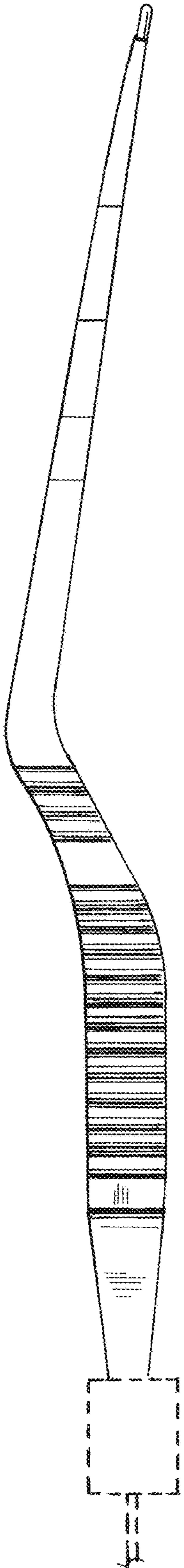


FIG. 5

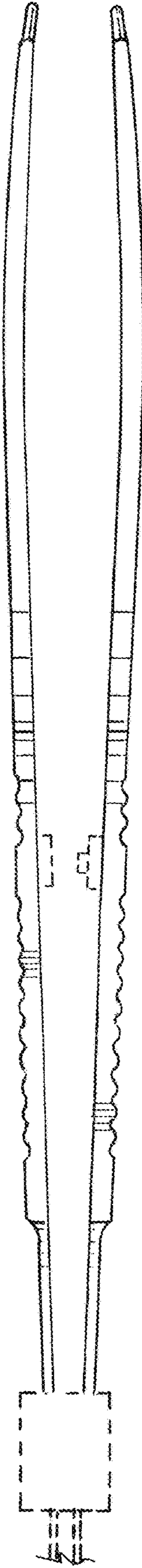


FIG. 6

