



US00D896376S

(12) **United States Design Patent**
Yaghoobian

(10) **Patent No.:** **US D896,376 S**

(45) **Date of Patent:** **** Sep. 15, 2020**

(54) **STANDING LUMBAR BACK DISTRACTOR**

D659,250 S * 5/2012 Cottrell D24/183
D735,871 S * 8/2015 Deardorf D24/183
D879,303 S * 3/2020 Engler D24/185

(71) Applicant: **Arash Yaghoobian**, Sherman Oaks, CA
(US)

(72) Inventor: **Arash Yaghoobian**, Sherman Oaks, CA
(US)

(**) Term: **15 Years**

(21) Appl. No.: **29/680,533**

(22) Filed: **Feb. 16, 2019**

(51) **LOC (12) Cl.** **24-02**

(52) **U.S. Cl.**
USPC **D24/135; D24/183**

(58) **Field of Classification Search**
USPC D24/133, 135, 183, 171, 185, 190
CPC A61B 17/88; A61B 17/02
See application file for complete search history.

(56) **References Cited**

U.S. PATENT DOCUMENTS

3,197,198 A * 7/1965 Collis A61G 13/00
5/601
3,754,787 A * 8/1973 Garber A47C 9/025
297/195.11
D361,383 S * 8/1995 Lipson D24/183
D405,176 S * 2/1999 Michelson D24/135
D425,620 S * 5/2000 Koros D24/135
D502,259 S * 2/2005 Hallen D24/108
D566,269 S * 4/2008 Koros D24/135
D626,649 S * 11/2010 Baynham D24/135
D633,620 S * 3/2011 Avett D24/183
D655,418 S * 3/2012 Hancock D24/183

OTHER PUBLICATIONS

The Gentle Motion Standing Back Stretcher, [online], [retrieved on Apr. 8, 2020]. Retrieved from Internet, <URL:https://www.pinterest.com/pin/100205160432526746/>.*

* cited by examiner

Primary Examiner — Bridget L Eland

(74) *Attorney, Agent, or Firm* — Brooks Acordia IP Law, PC; Pejman Yedidsion

(57) **CLAIM**

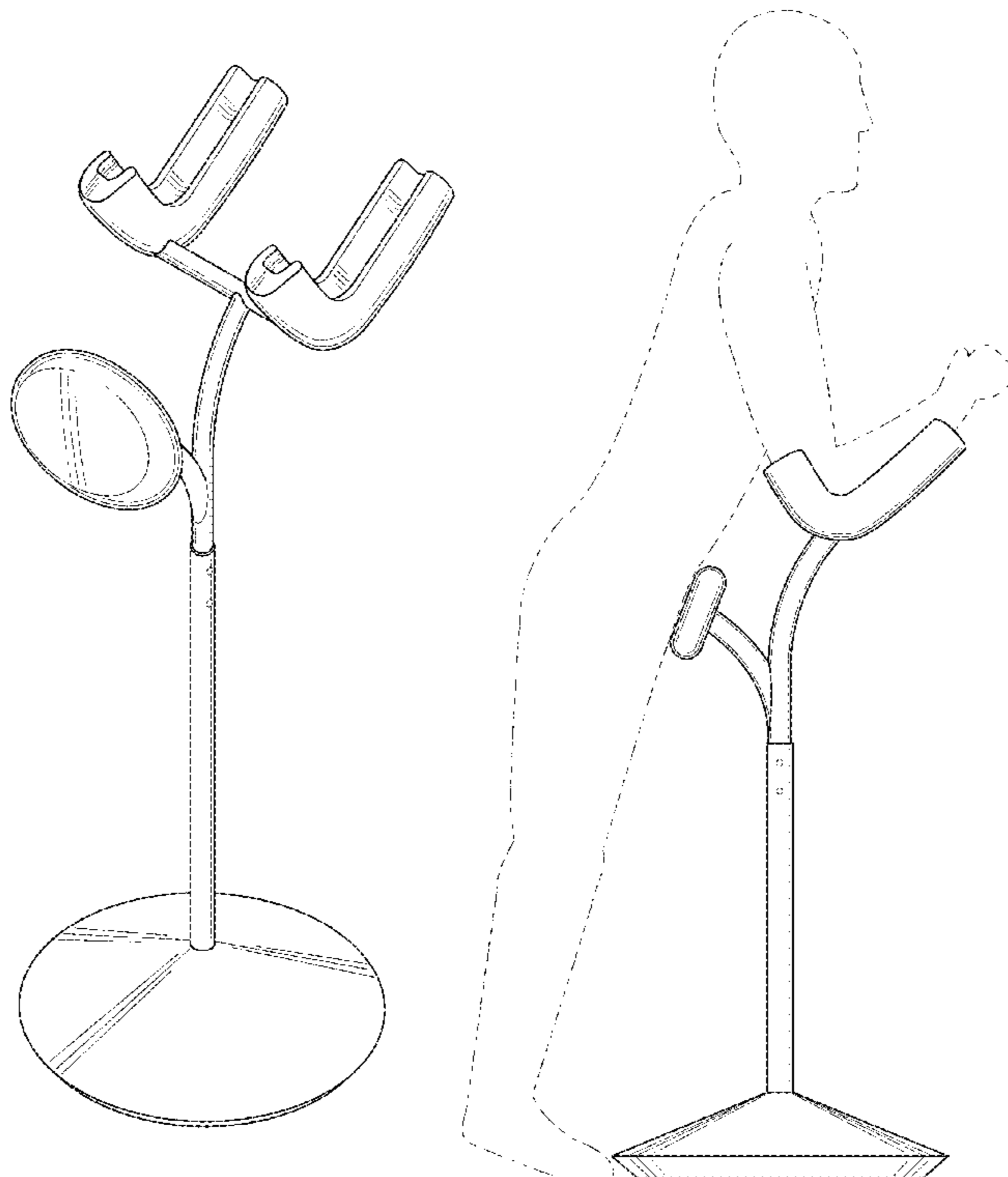
The ornamental design for a standing lumbar back distractor, as shown and described.

DESCRIPTION

FIG. 1 is a perspective view of a standing lumbar back distractor showing my new design;
FIG. 2 is a left side elevational view thereof;
FIG. 3 is a right side elevational view thereof;
FIG. 4 is a rear elevational view thereof;
FIG. 5 is a front elevational view thereof;
FIG. 6 is top plan view thereof;
FIG. 7 is a bottom plan view thereof; and,
FIG. 8 is a right side elevational view thereof wherein environment is shown.

The broken lines shown in the views are included for the purpose of illustrating environment of the standing lumbar back distractor that form no part of the claimed design.

1 Claim, 8 Drawing Sheets



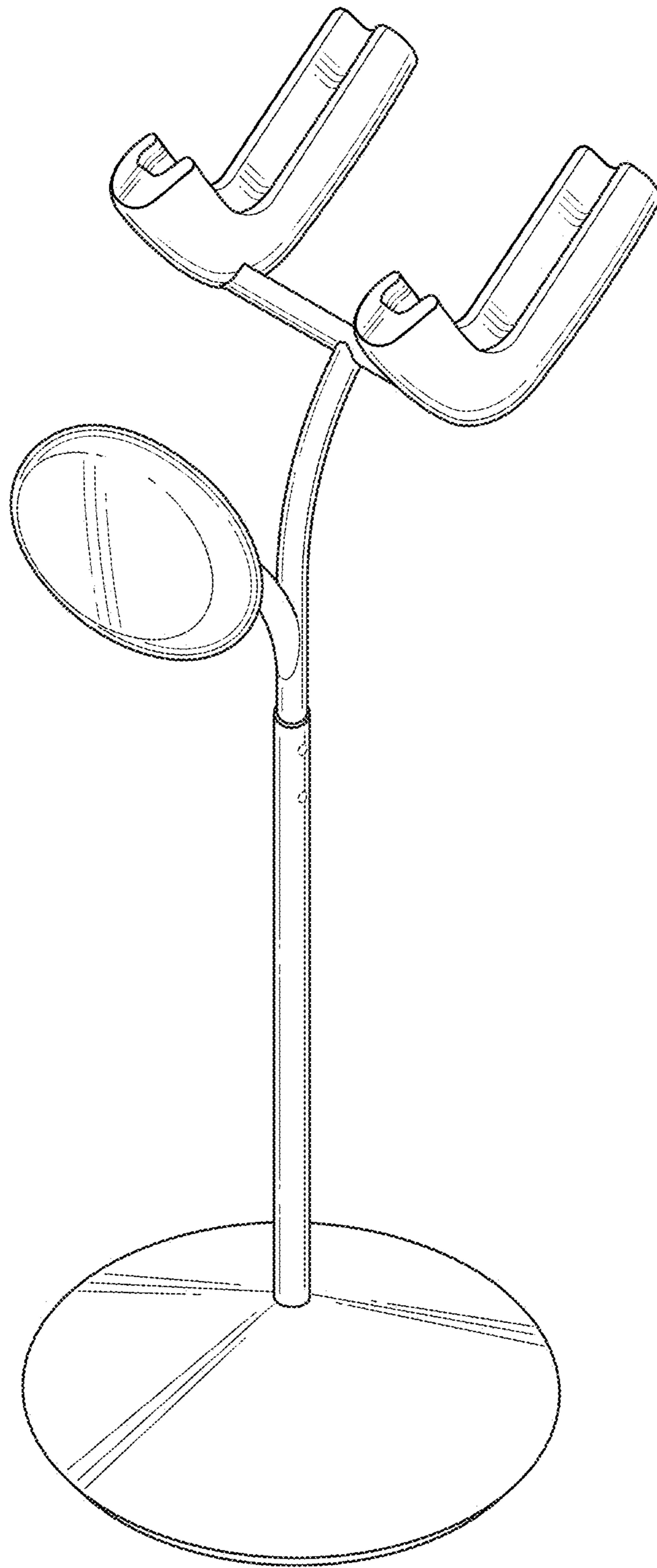


FIG. 1

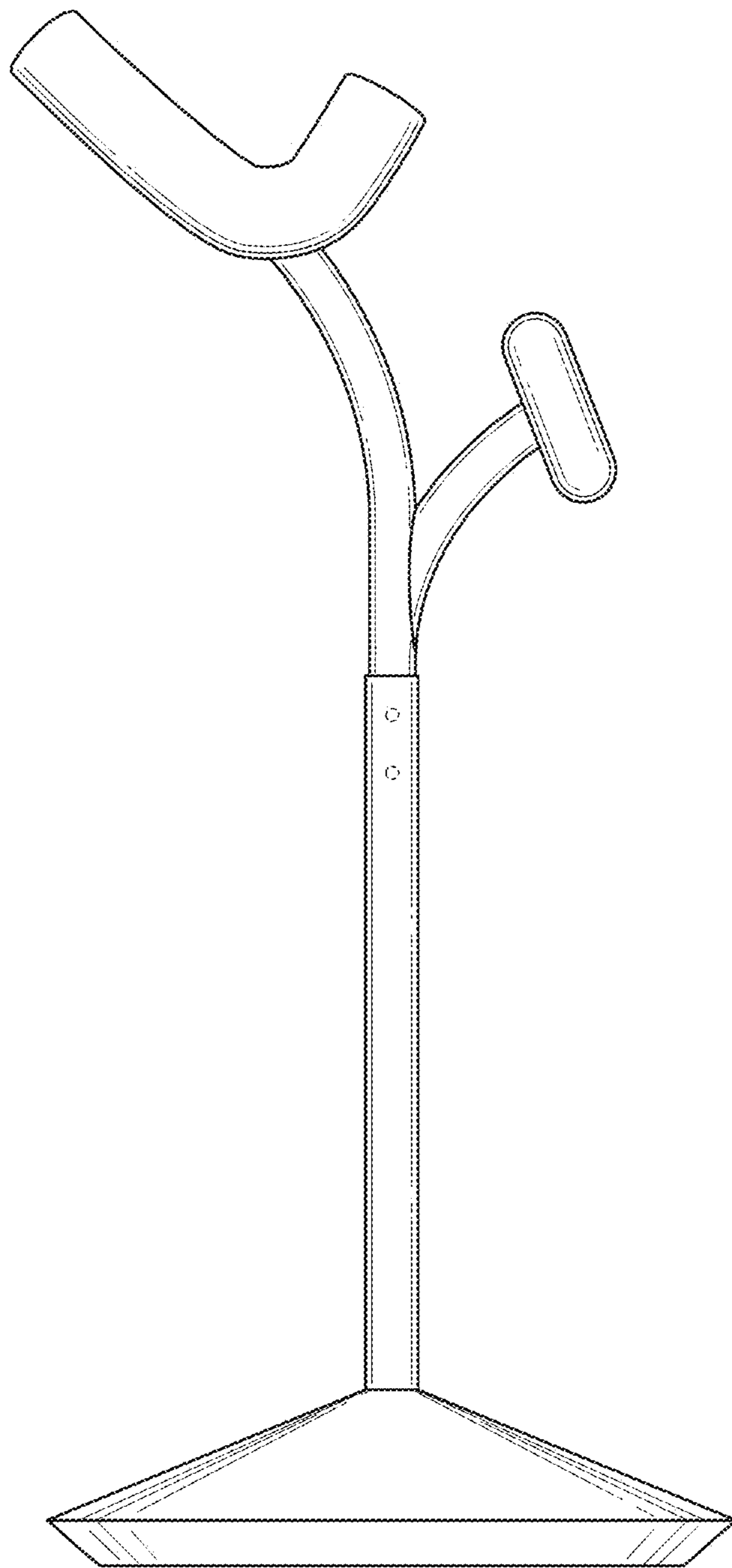


FIG. 2

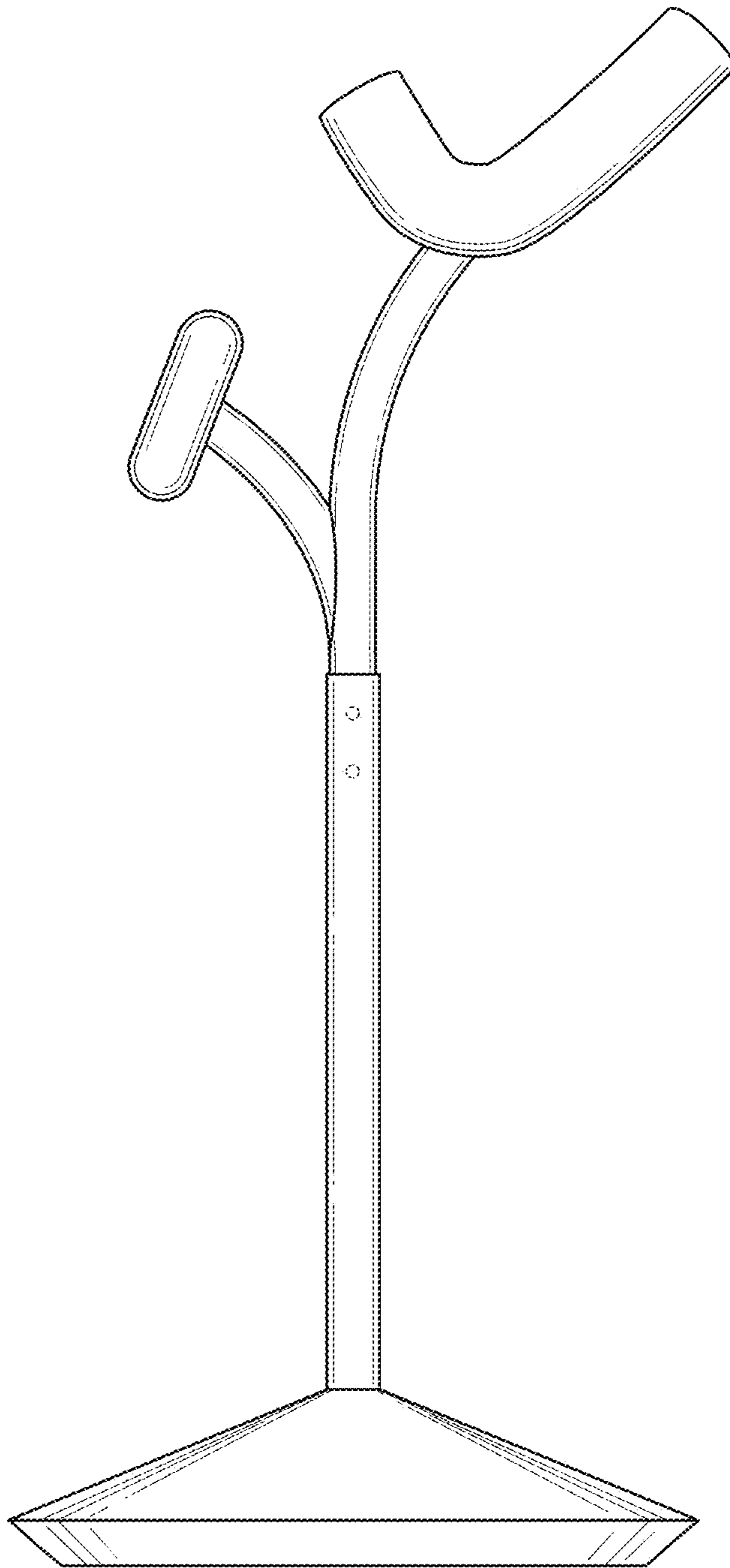


FIG. 3

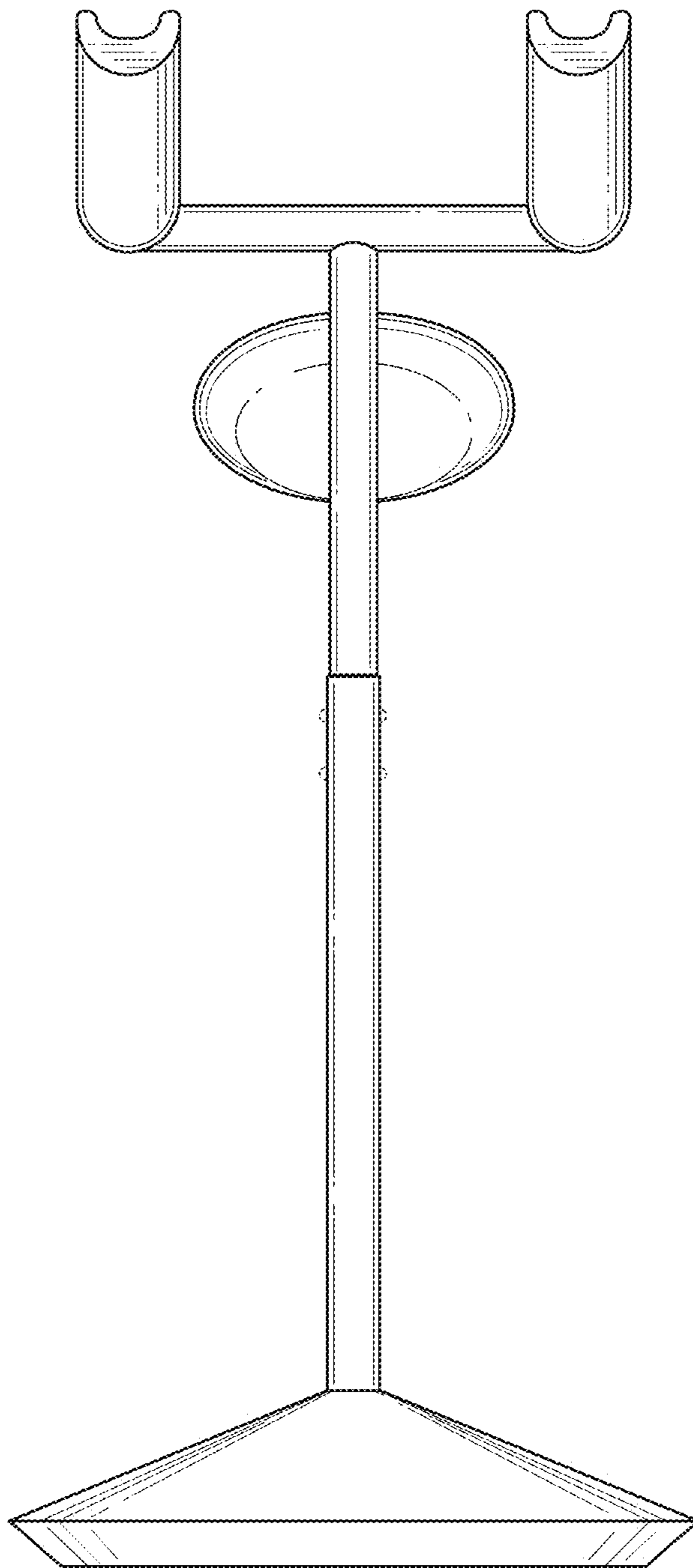


FIG. 4

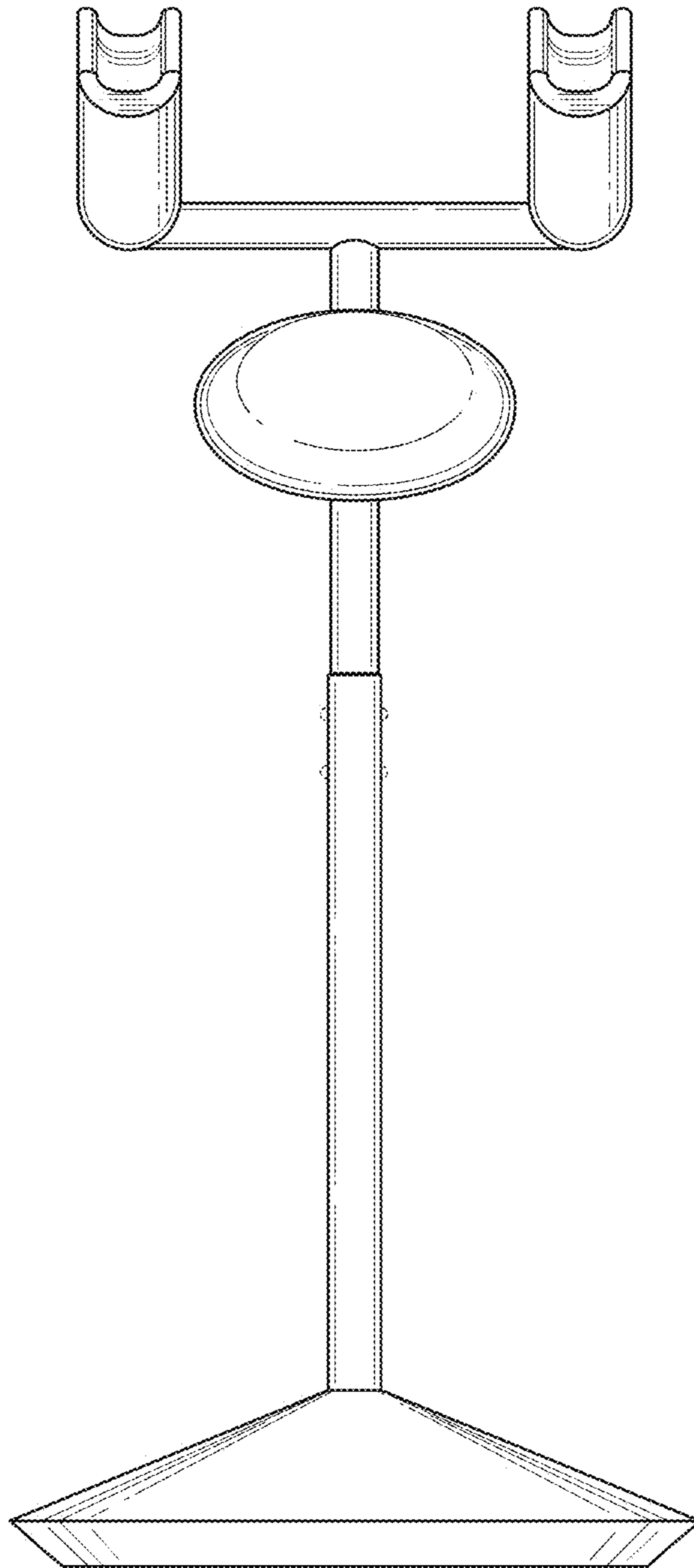


FIG. 5

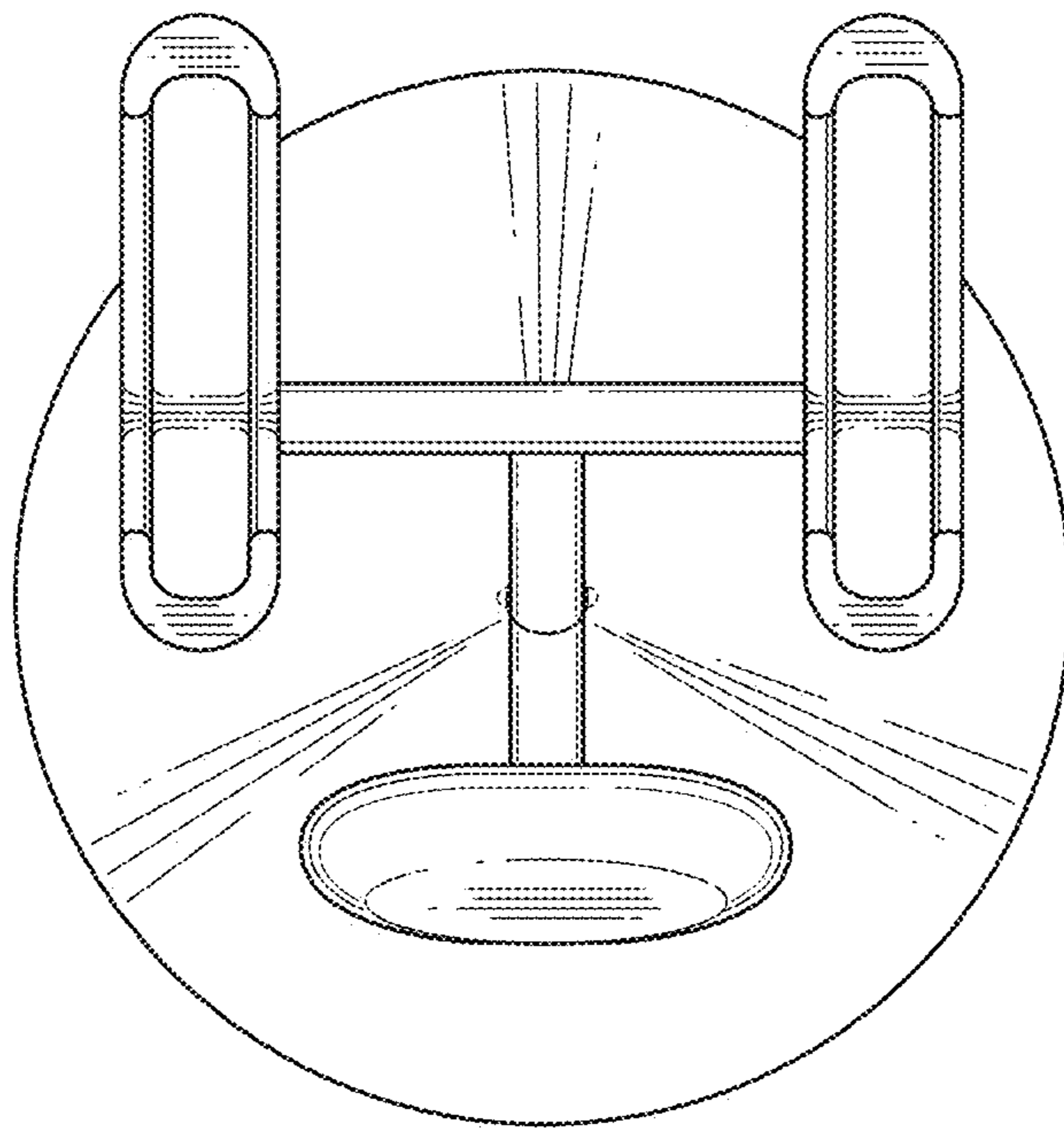


FIG. 6

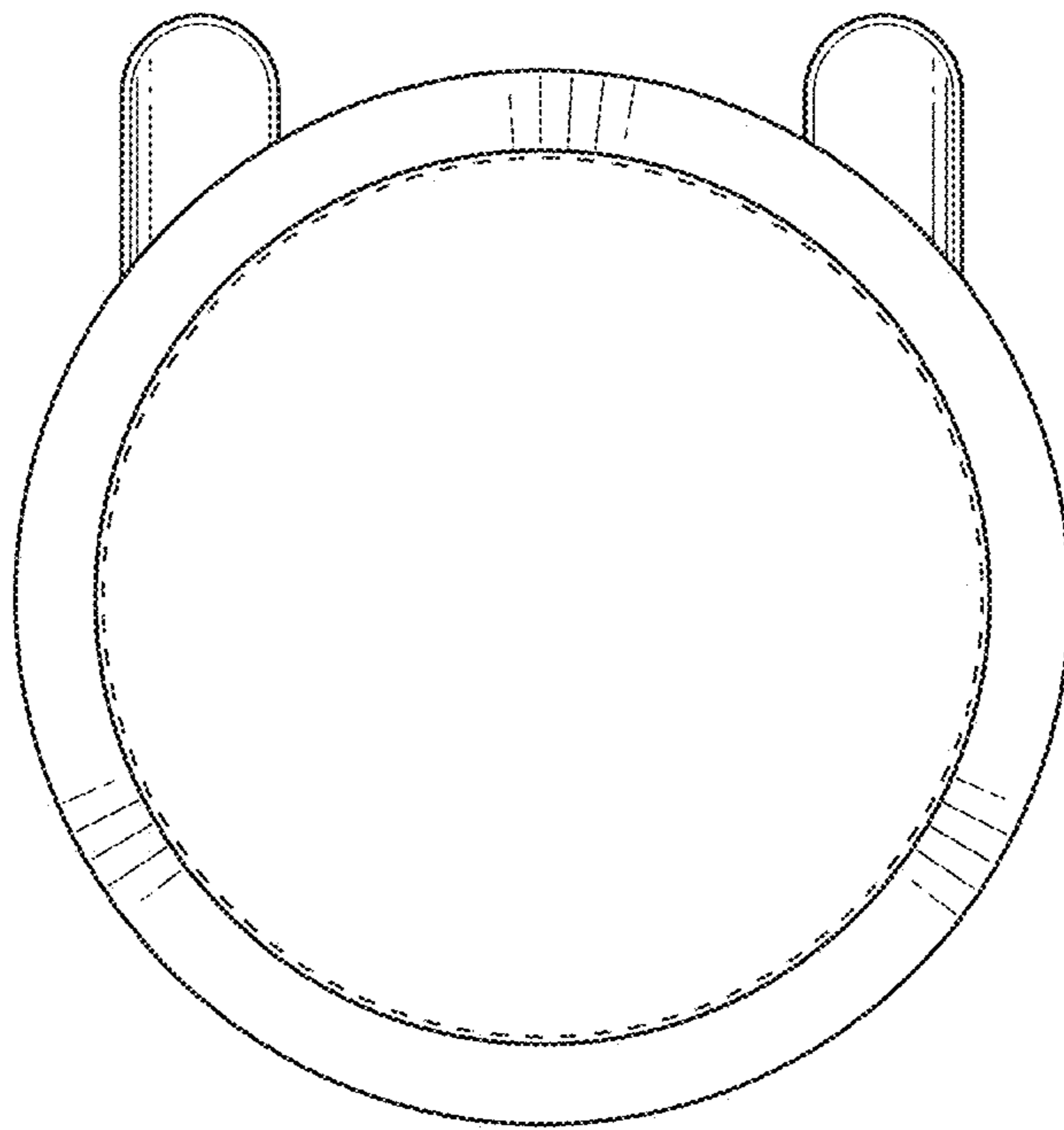


FIG. 7

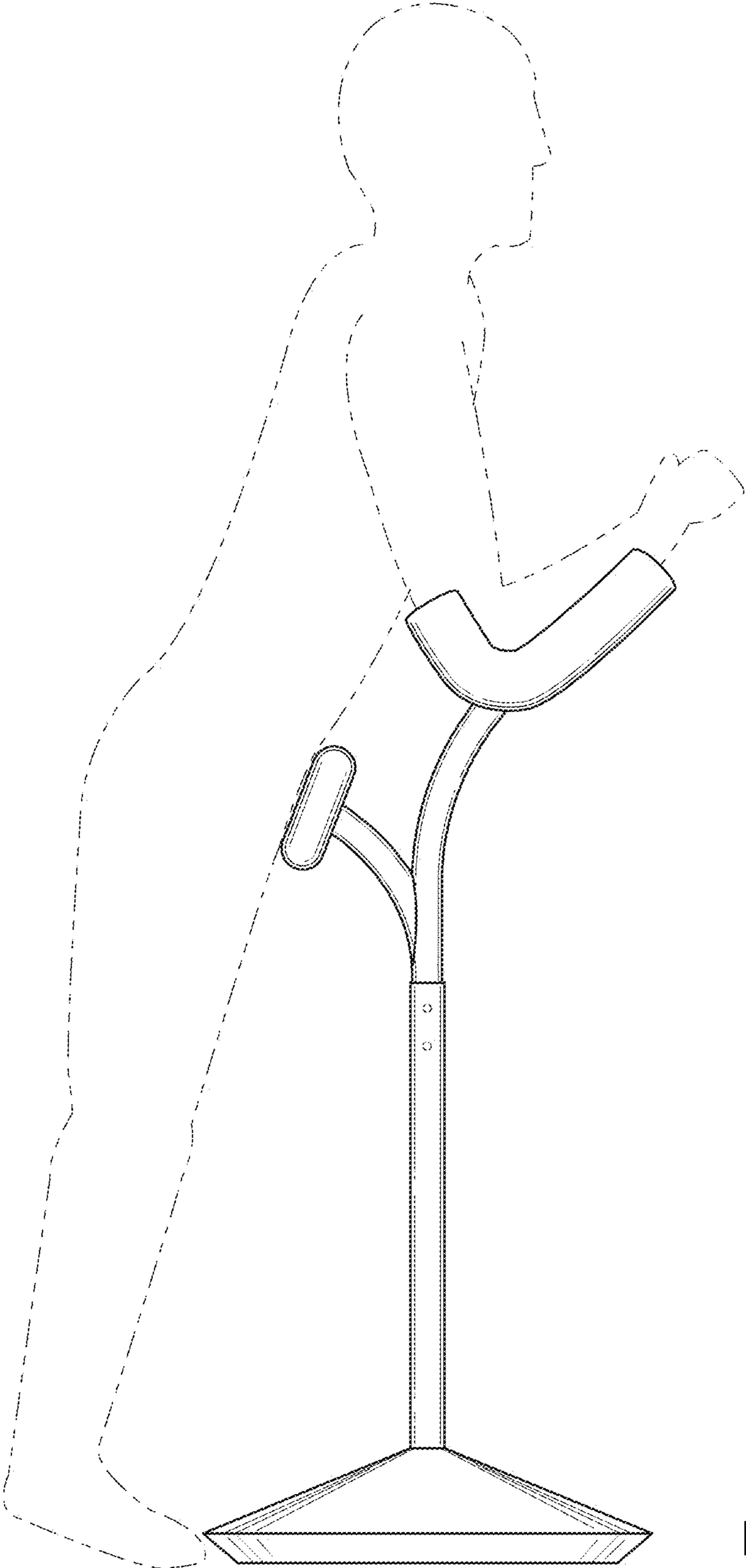


FIG. 8