



US00D896373S

(12) **United States Design Patent**
Julian et al.

(10) **Patent No.:** **US D896,373 S**
(45) **Date of Patent:** **** Sep. 15, 2020**

- (54) **CYSTOSCOPE DISTAL TIP**
- (71) Applicant: **KARL STORZ Endovision, Inc.**,
Charlton, MA (US)
- (72) Inventors: **Richard Julian**, Warren, MA (US);
Justin Runyon, Spencer, MA (US);
Michael Brown, Westborough, MA (US)
- (73) Assignee: **KARL STORZ Endovision, Inc.**,
Charlton, MA (US)
- (**) Term: **15 Years**
- (21) Appl. No.: **29/696,452**
- (22) Filed: **Jun. 27, 2019**
- (51) **LOC (12) Cl.** **24-02**
- (52) **U.S. Cl.**
USPC **D24/130**
- (58) **Field of Classification Search**
USPC D24/127-131, 112-114, 133, 186;
606/181, 185; 604/264, 523-528, 272,
604/187, 158, 164.01-164.11, 181, 184,
604/227; 600/101, 139, 143;
128/200.24, 207.14, 207.15
CPC A61M 25/00; A61M 39/00; A61M 27/00;
A61M 25/0043; A61M 25/0067; A61M
25/0097; A61F 2/958
See application file for complete search history.

- (56) **References Cited**
U.S. PATENT DOCUMENTS
D241,983 S * 10/1976 Lahay D24/127
D417,274 S * 11/1999 Selman D24/130
6,319,248 B1 * 11/2001 Nahon A61B 18/0218
604/523
6,645,205 B2 * 11/2003 Ginn A61B 17/0644
128/200.24

- 6,719,684 B2 * 4/2004 Kim A61B 1/00016
600/101
- D506,550 S * 6/2005 Greenberg D24/133
- D575,399 S * 8/2008 Matsumoto D24/138
- 8,088,063 B2 * 1/2012 Fujikura A61B 17/3415
600/101
- 8,303,508 B2 * 11/2012 Wakabayashi A61B 1/00091
600/101
- D692,143 S * 10/2013 shahidi bonjar D24/112
- D732,164 S * 6/2015 Woloszko D24/144
- D810,935 S * 2/2018 Bresco Torras D24/138
- 2002/0151868 A1 * 10/2002 Taheri A61M 25/0084
604/507
- 2005/0182297 A1 * 8/2005 Gravenstein A61B 1/00167
600/139
- 2006/0264708 A1 * 11/2006 Horne, Jr. A61B 1/0008
600/130
- 2008/0214897 A1 * 9/2008 Matsuo A61B 1/0055
600/139
- 2008/0269562 A1 * 10/2008 Marescaux A61B 1/00087
600/142
- 2009/0182200 A1 * 7/2009 Golden A61M 25/0028
600/153

(Continued)

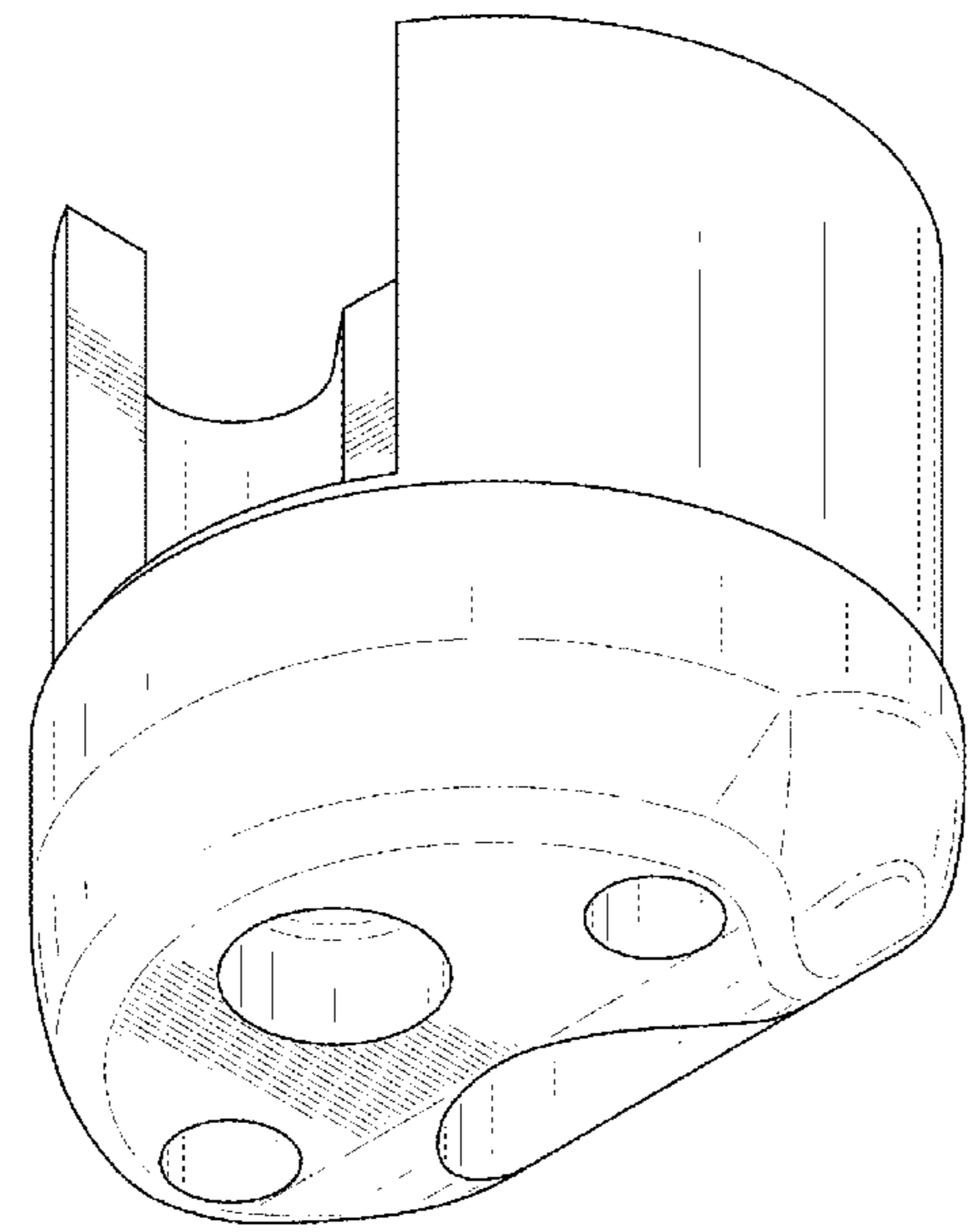
Primary Examiner — Nathan M Johnston
(74) *Attorney, Agent, or Firm* — Michael Loi

(57) **CLAIM**
The ornamental design for a cystoscope distal tip, as shown and described.

DESCRIPTION

FIG. 1 is a front perspective view of a cystoscope distal tip in accordance with the new design;
FIG. 2 is a front view thereof;
FIG. 3 is a rear view thereof;
FIG. 4 is a right side view thereof;
FIG. 5 is a left side view thereof;
FIG. 6 is a top view thereof; and,
FIG. 7 is a bottom view thereof.

1 Claim, 7 Drawing Sheets



(56)

References Cited

U.S. PATENT DOCUMENTS

2010/0018536 A1* 1/2010 Hershey A61C 17/08
128/207.14
2011/0112563 A1* 5/2011 To A61B 17/320783
606/159
2013/0172828 A1* 7/2013 Kappel A61B 17/320016
604/272
2014/0005639 A1* 1/2014 Rogers A61B 1/00078
604/525
2014/0018749 A1* 1/2014 Senarith A61M 25/0097
604/264
2018/0185058 A1* 7/2018 Anand A61M 25/0026
2020/0000525 A1* 1/2020 Stigall A61B 8/12

* cited by examiner

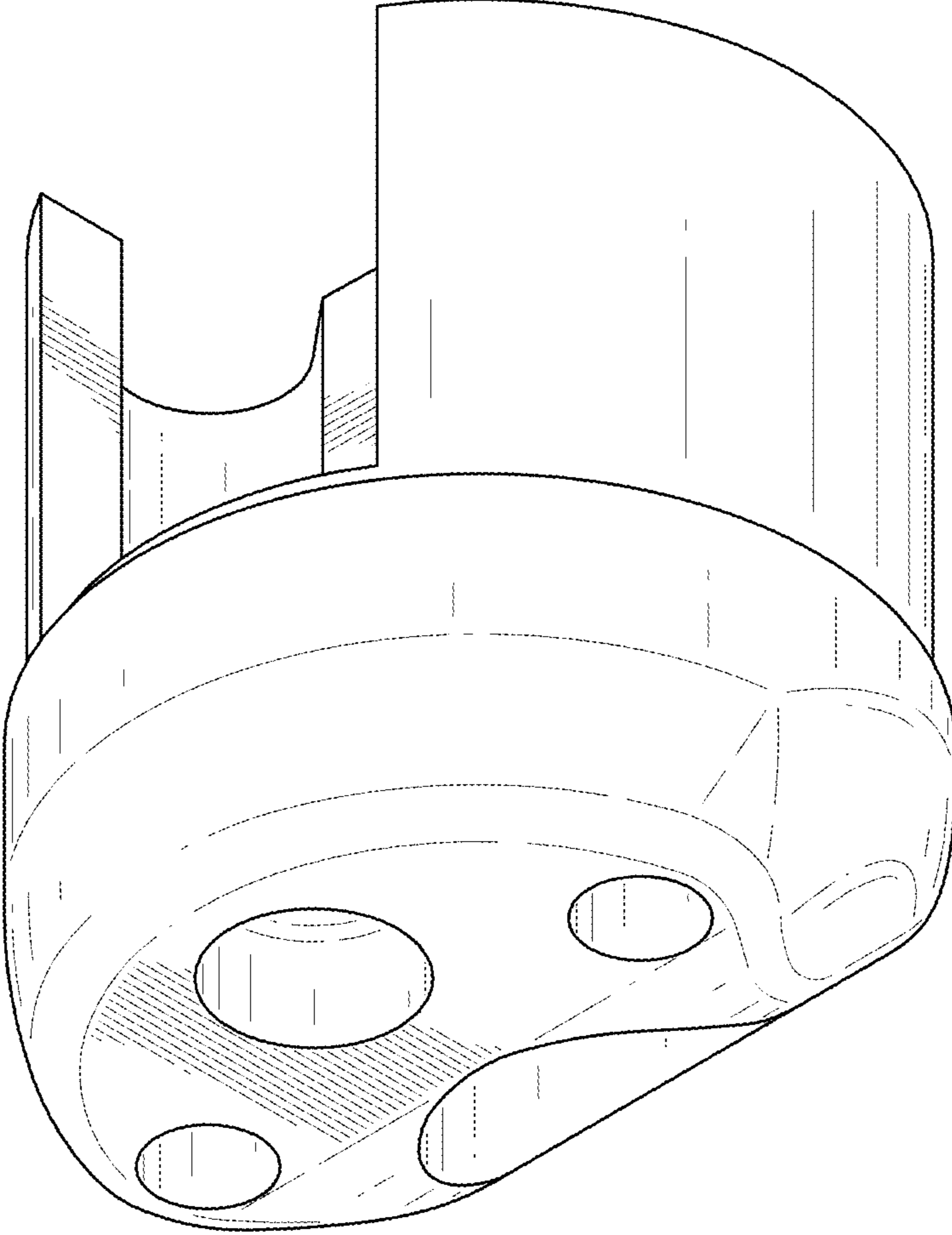


FIG. 1

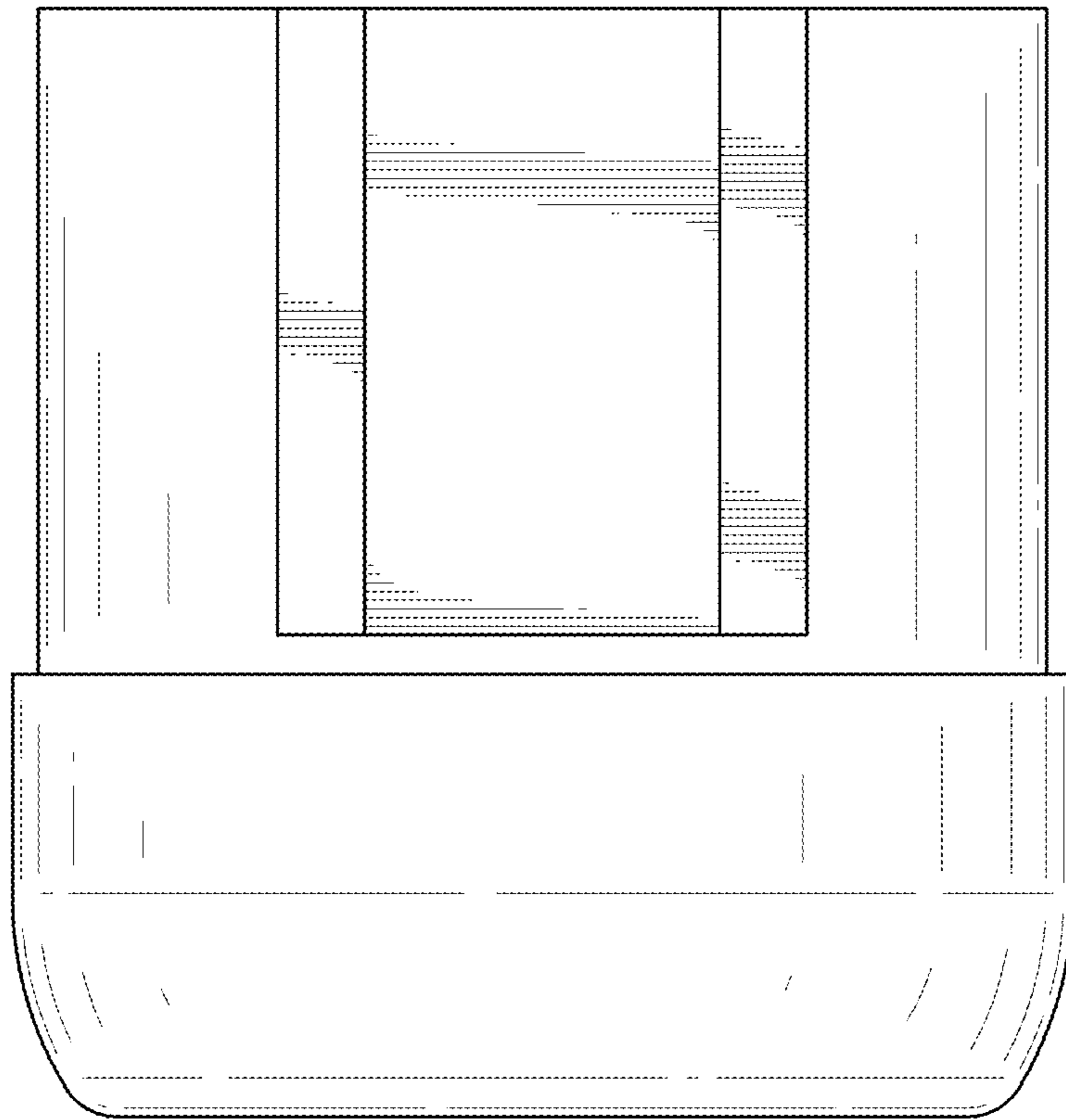


FIG.2

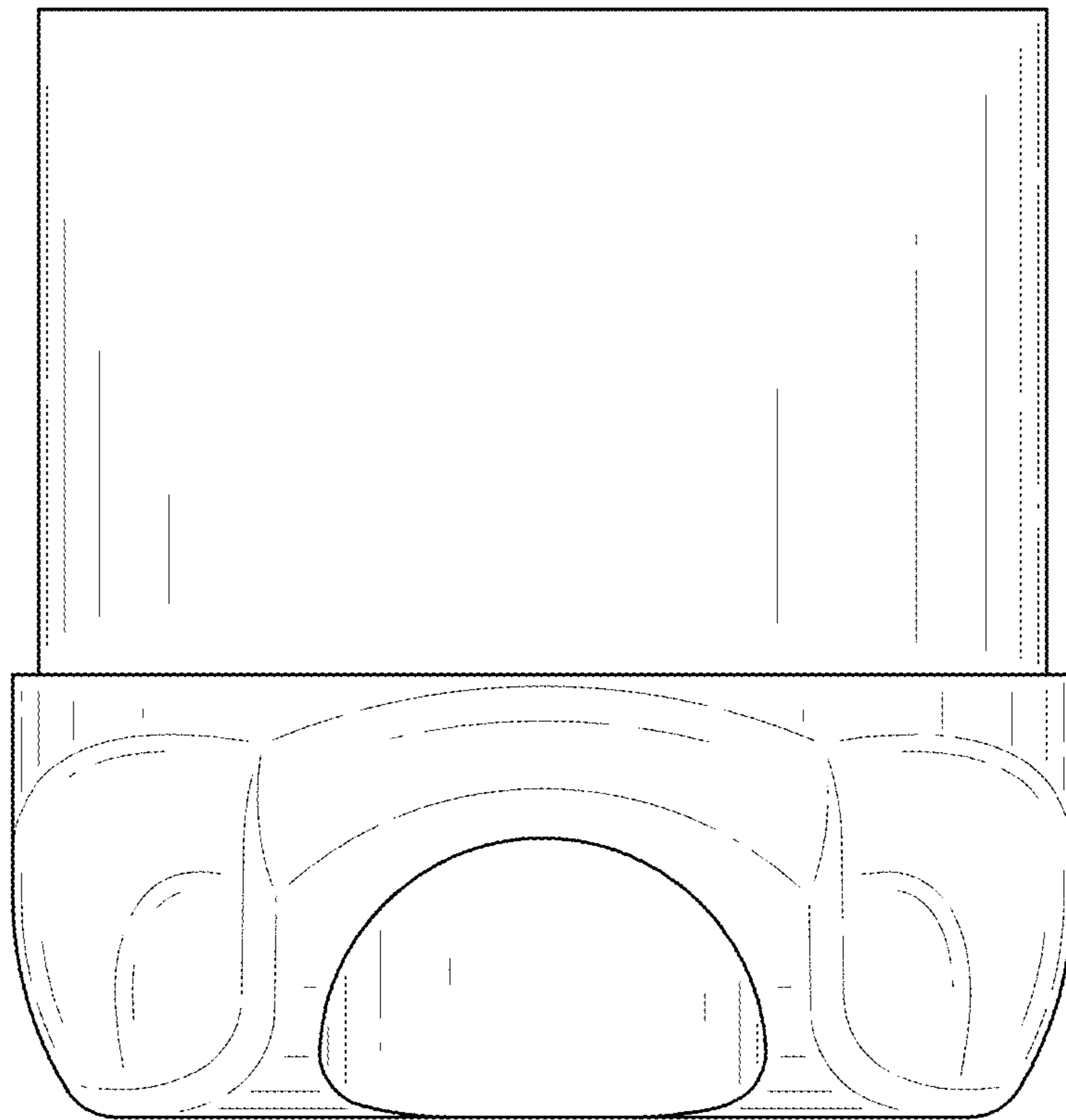


FIG.3

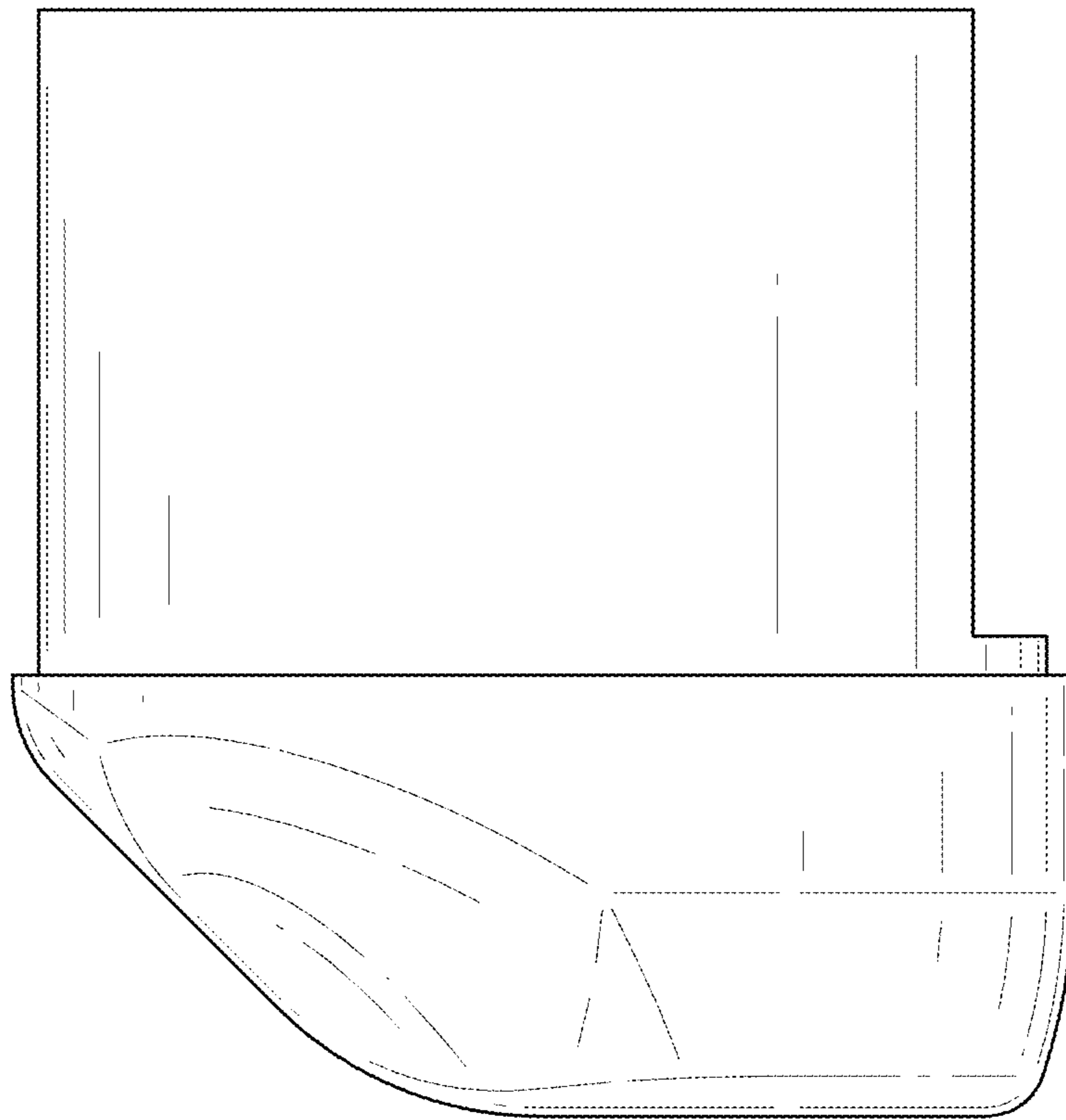


FIG.4

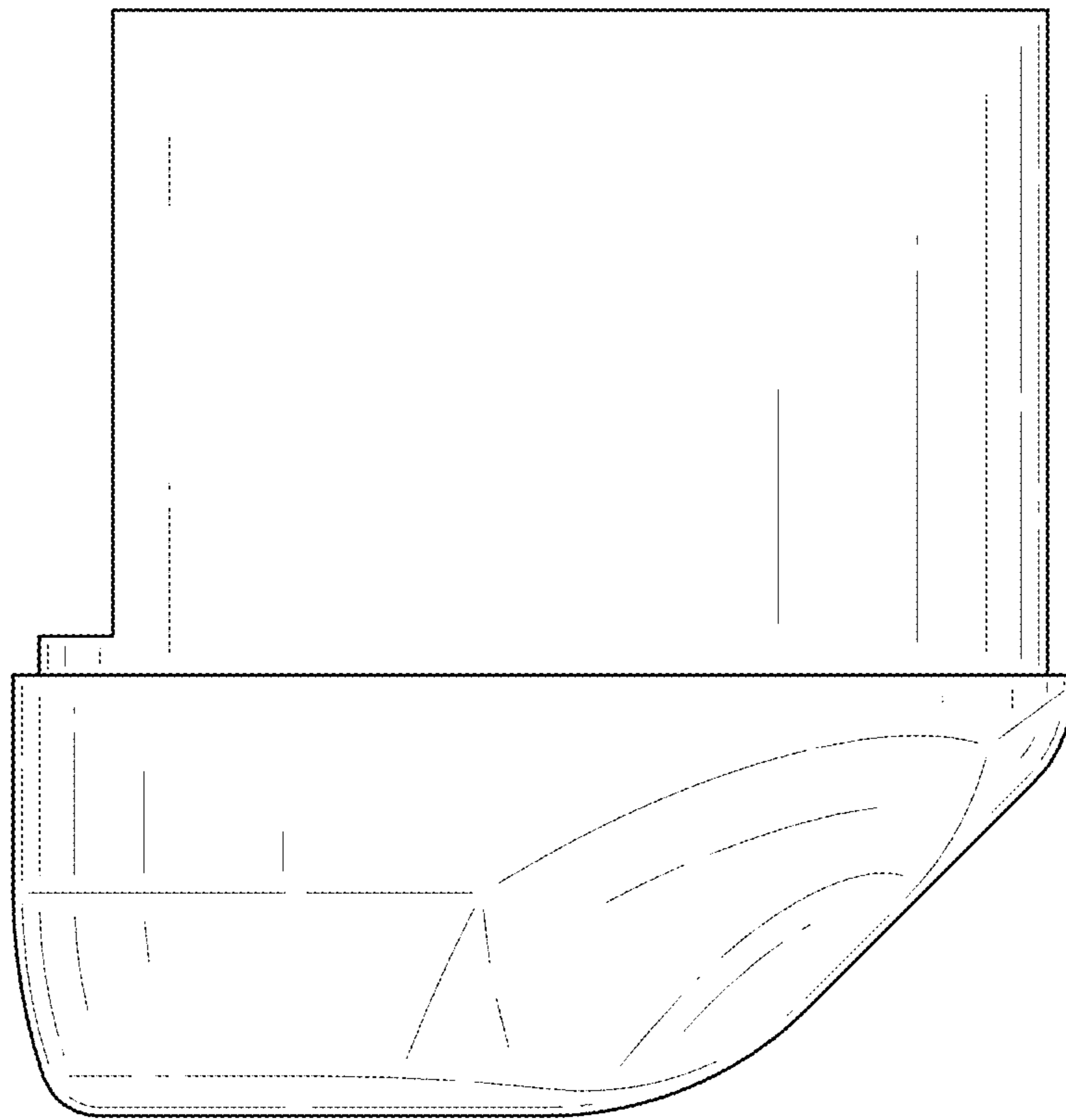


FIG.5

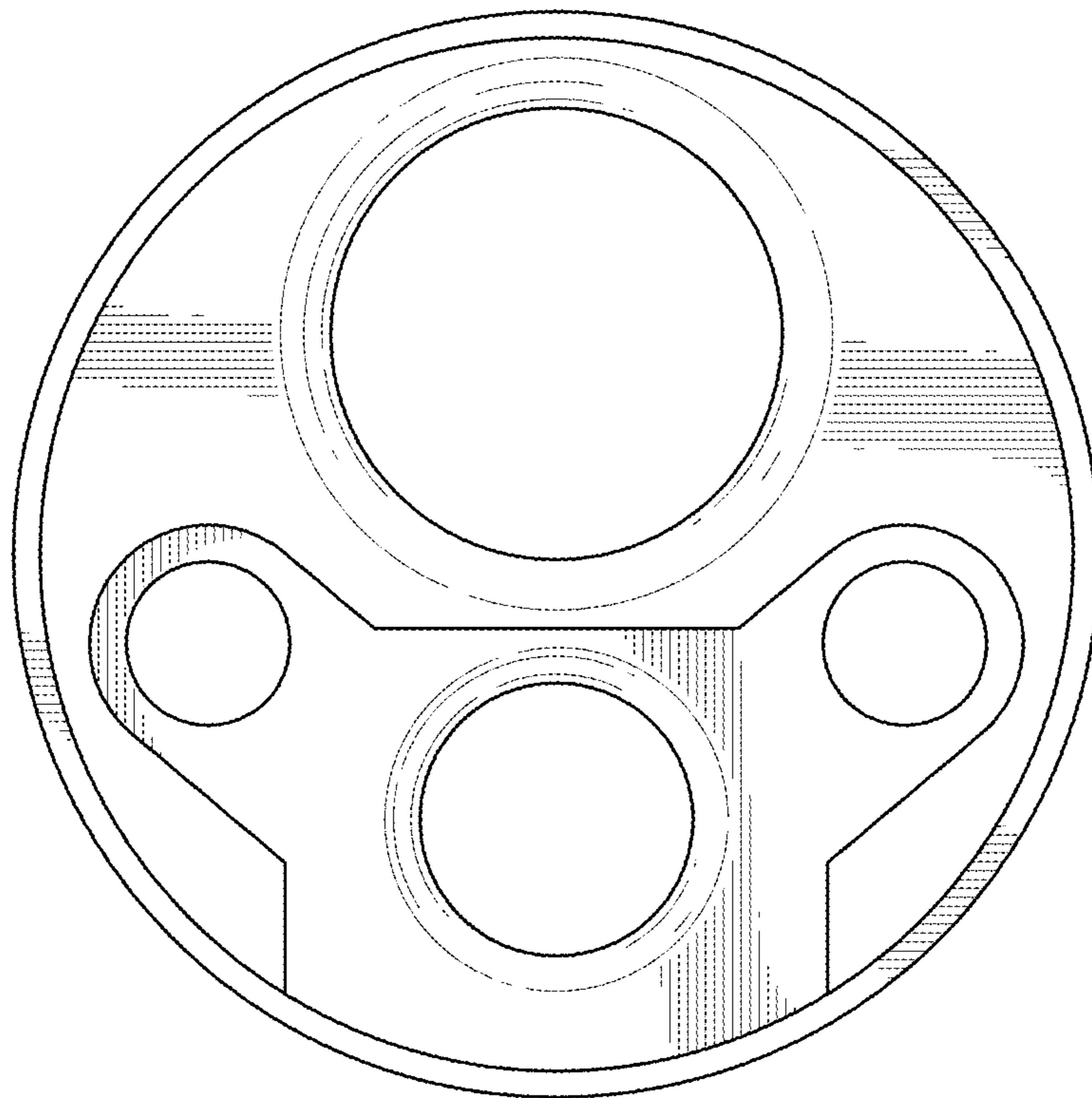


FIG.6

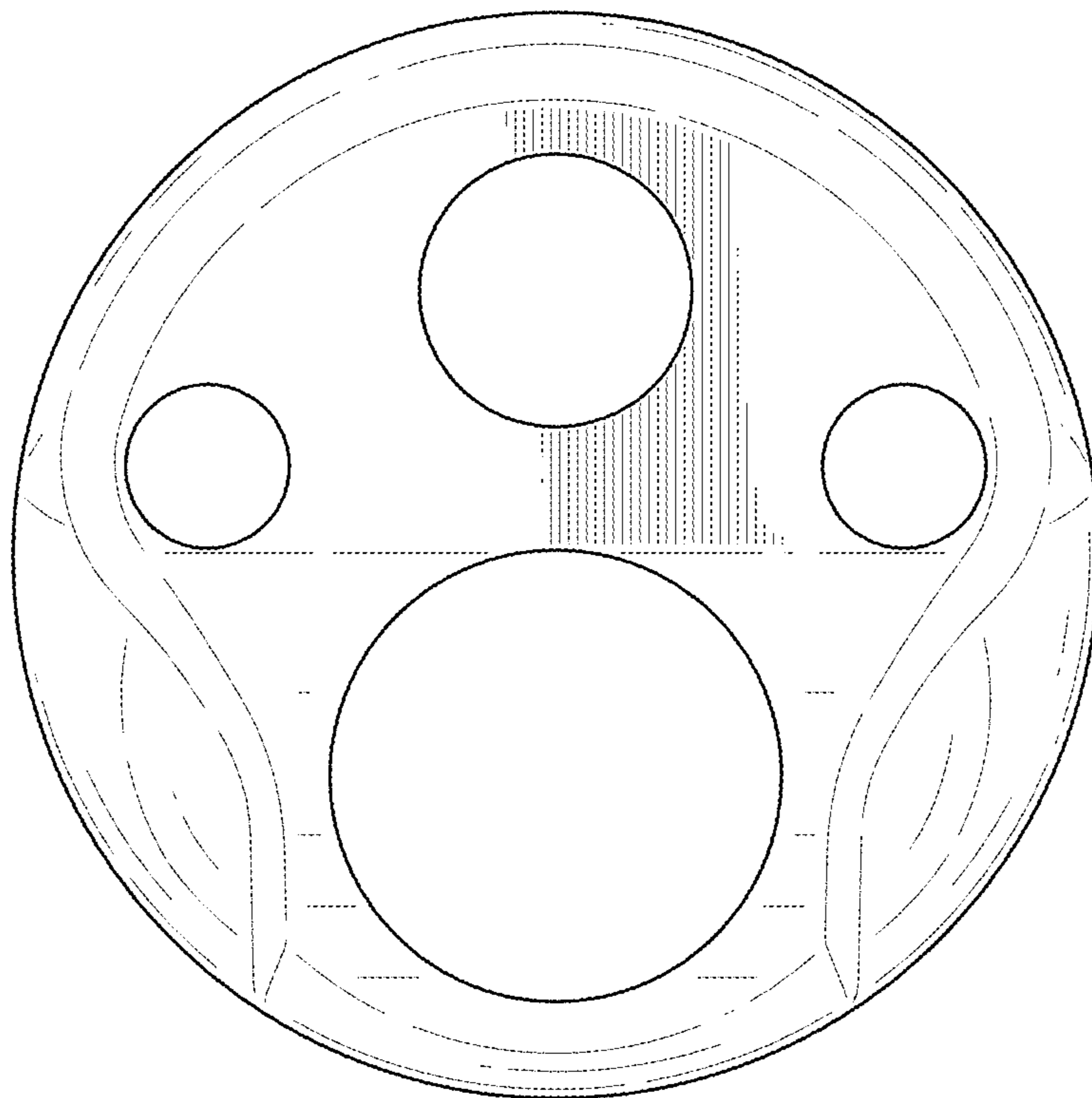


FIG.7