



US00D896372S

(12) **United States Design Patent** (10) **Patent No.:** **US D896,372 S**  
**Julian et al.** (45) **Date of Patent:** **\*\* Sep. 15, 2020**

(54) **CONNECTOR FOR MEDICAL DEVICE**

(71) Applicant: **KARL STORZ Endovision, Inc.**,  
Charlton, MA (US)

(72) Inventors: **Richard Julian**, Warren, MA (US);  
**Justin Runyon**, Spencer, MA (US);  
**Michael Brown**, Westborough, MA  
(US)

(73) Assignee: **KARL STORZ Endovision, Inc.**,  
Charlton, MA (US)

(\*\*) Term: **15 Years**

(21) Appl. No.: **29/696,449**

(22) Filed: **Jun. 27, 2019**

(51) **LOC (12) Cl.** ..... **24-01**

(52) **U.S. Cl.**  
USPC ..... **D24/129**

(58) **Field of Classification Search**  
USPC ..... D24/127–131, 112–114, 133, 186;  
606/181, 185; 604/264, 523–528, 272,  
604/187, 158, 164.01–164.11, 181, 184,  
604/227; 600/101, 139, 143;  
128/200.24, 207.14, 207.15  
CPC ..... A61M 25/00; A61M 39/00; A61M 27/00;  
A61M 25/0043; A61M 25/0067; A61M  
25/0097; A61F 2/958  
See application file for complete search history.

(56) **References Cited**

**U.S. PATENT DOCUMENTS**

D495,416 S \* 8/2004 Dimeo ..... A61J 1/2096  
D24/129  
D540,466 S \* 4/2007 Homra ..... A61G 13/101  
D24/128

D551,344 S \* 9/2007 Santora, Jr. .... D24/129  
D582,033 S \* 12/2008 Baxter ..... D24/130  
D630,732 S \* 1/2011 Lev ..... D24/129  
D669,980 S \* 10/2012 Lev ..... D24/129  
D674,088 S \* 1/2013 Lev ..... D24/129  
D750,239 S \* 2/2016 Pappalardo ..... D24/130  
D805,638 S \* 12/2017 Pappalardo ..... D24/130  
D818,118 S \* 5/2018 Kelly ..... D24/112  
D851,246 S \* 6/2019 McElroy ..... D24/130  
D861,162 S \* 9/2019 Gulliver ..... D24/129  
2018/0200147 A1 \* 7/2018 Sanders ..... A61M 39/10

\* cited by examiner

*Primary Examiner* — Nathan M Johnston

(74) *Attorney, Agent, or Firm* — Michael Loi

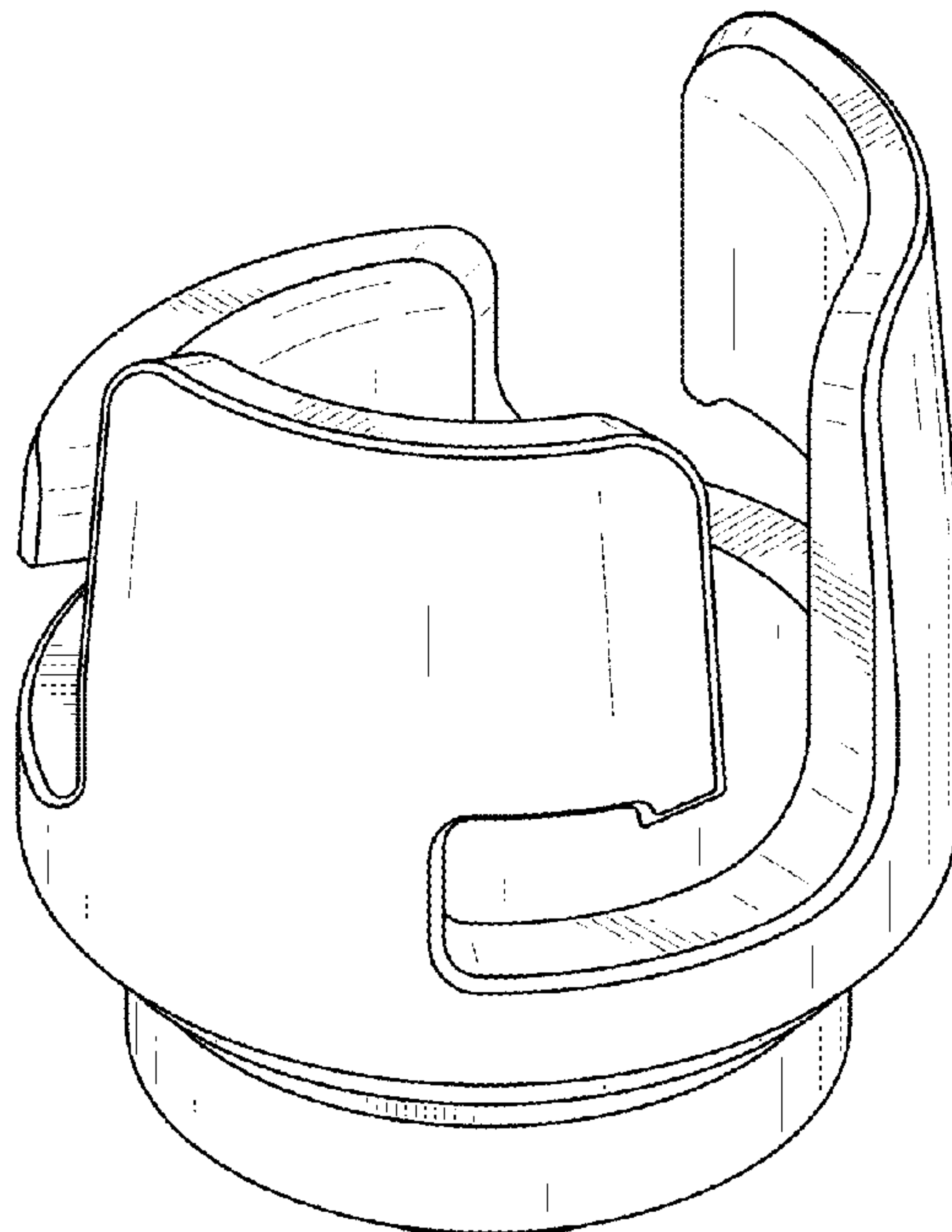
(57) **CLAIM**

The ornamental design for a connector for medical device,  
as shown and described.

**DESCRIPTION**

FIG. 1 is a front perspective view of a connector for medical device in accordance with the new design;  
FIG. 2 is a front view thereof;  
FIG. 3 is a rear view thereof;  
FIG. 4 is a right side view thereof;  
FIG. 5 is a left side view thereof;  
FIG. 6 is a top view thereof; and,  
FIG. 7 is a bottom view thereof.

**1 Claim, 7 Drawing Sheets**



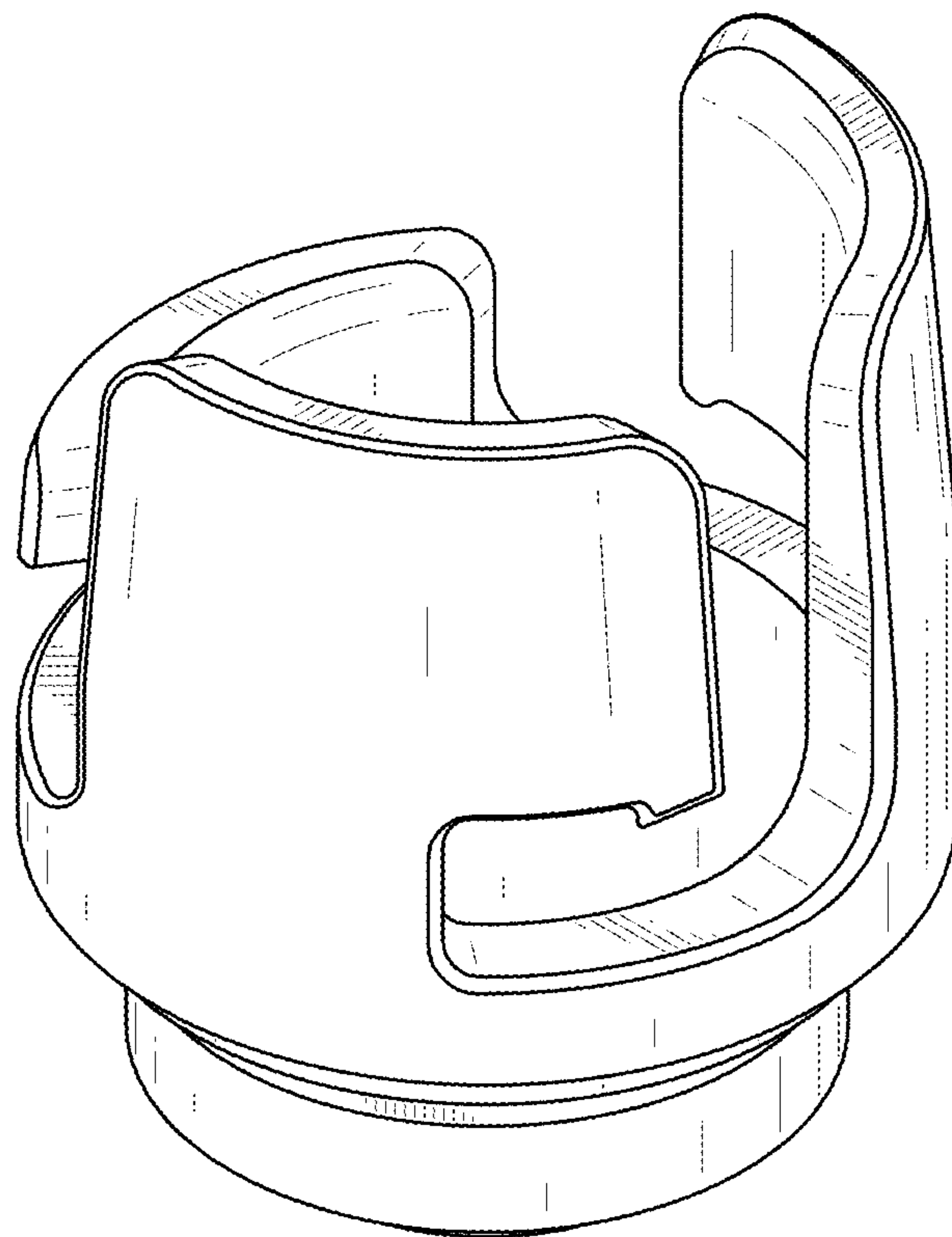


FIG.1

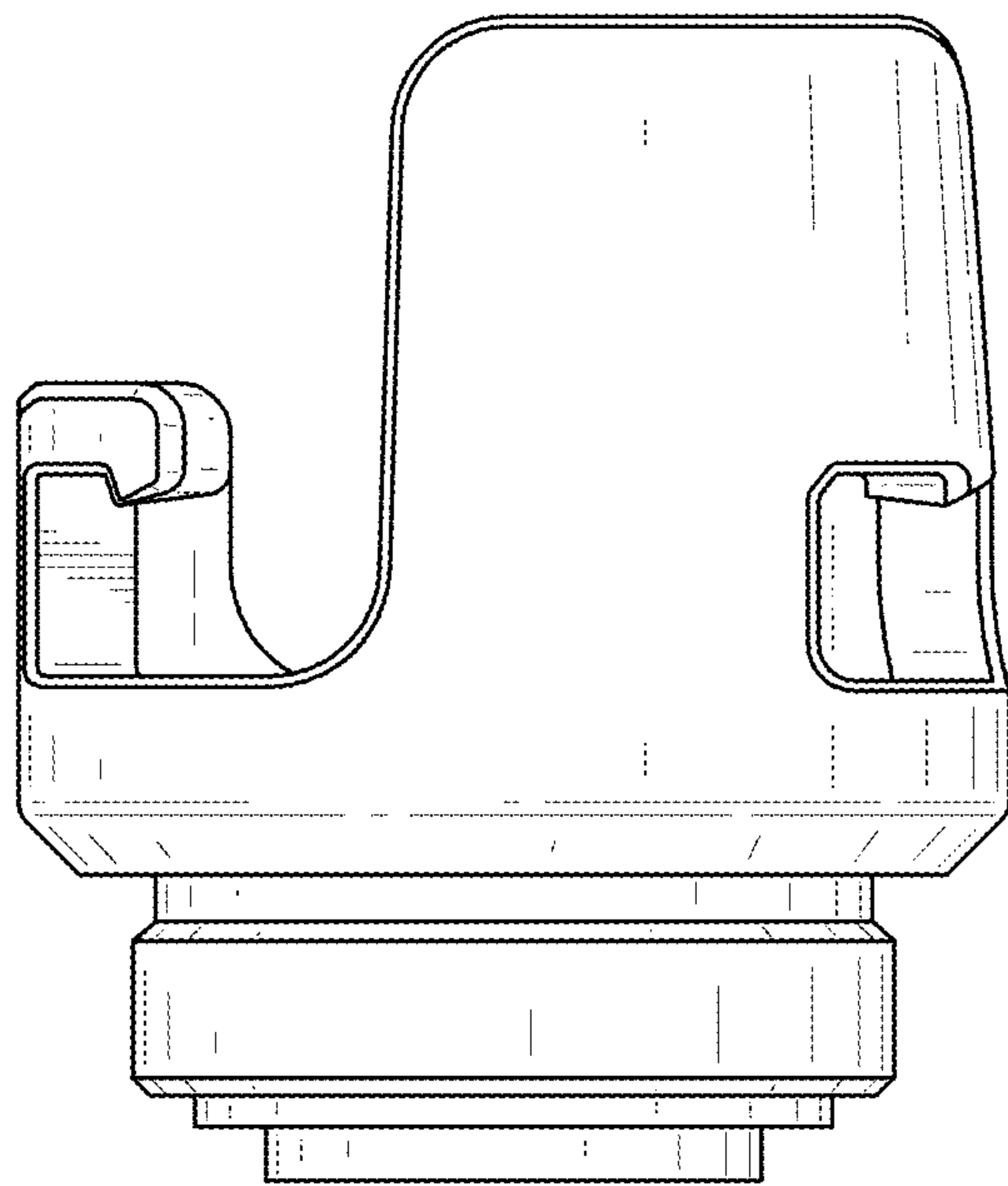


FIG.2

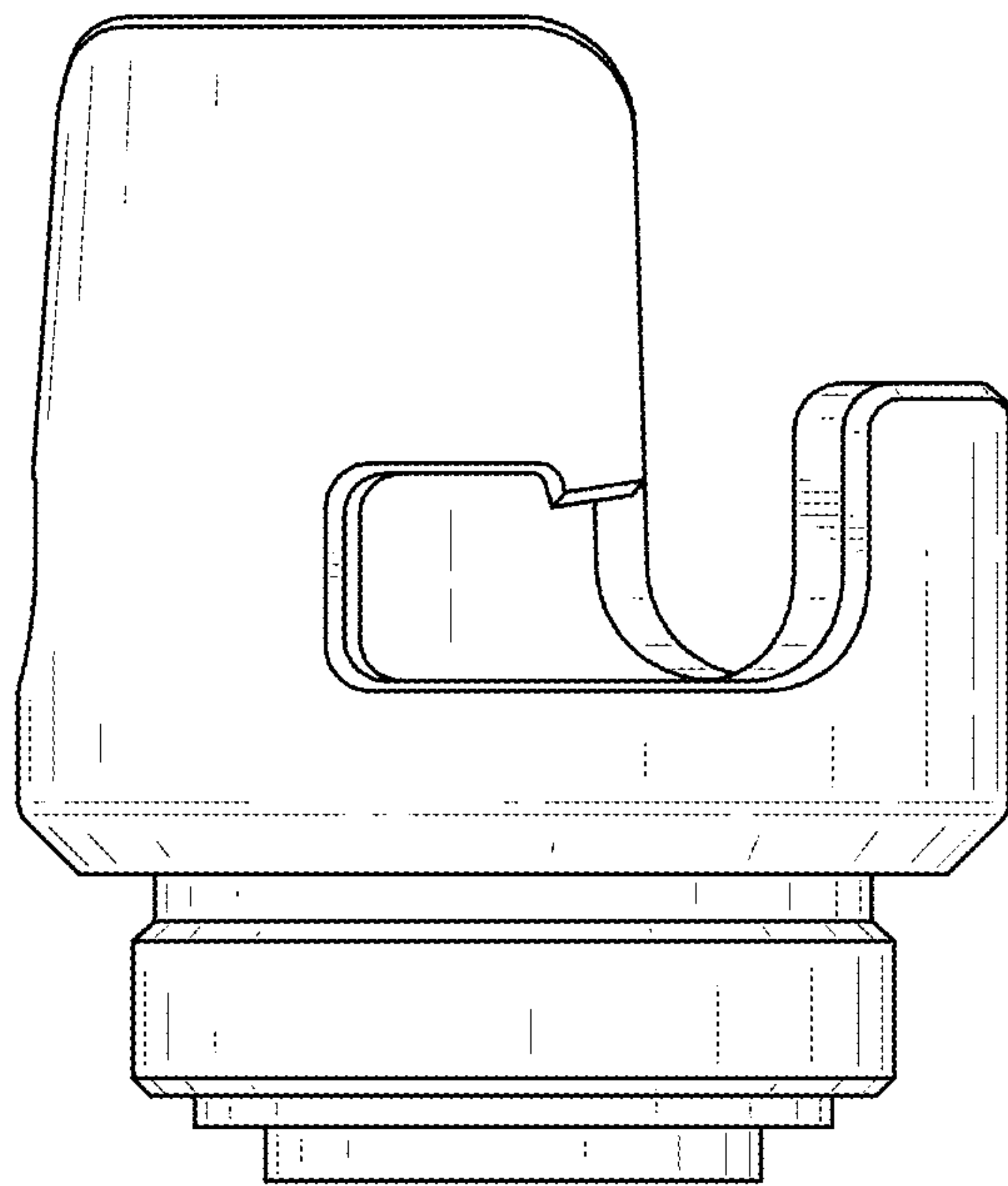


FIG.3

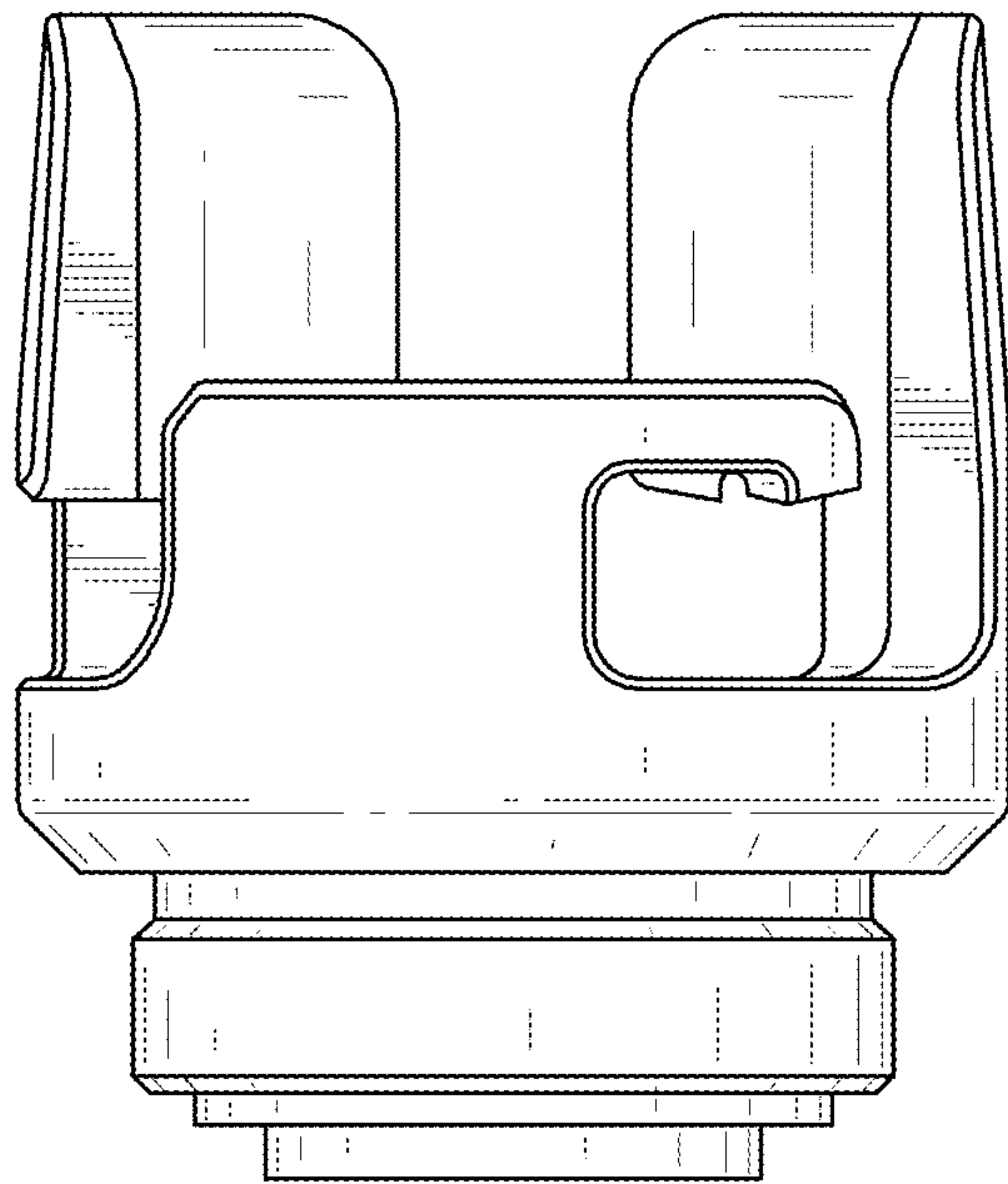


FIG.4

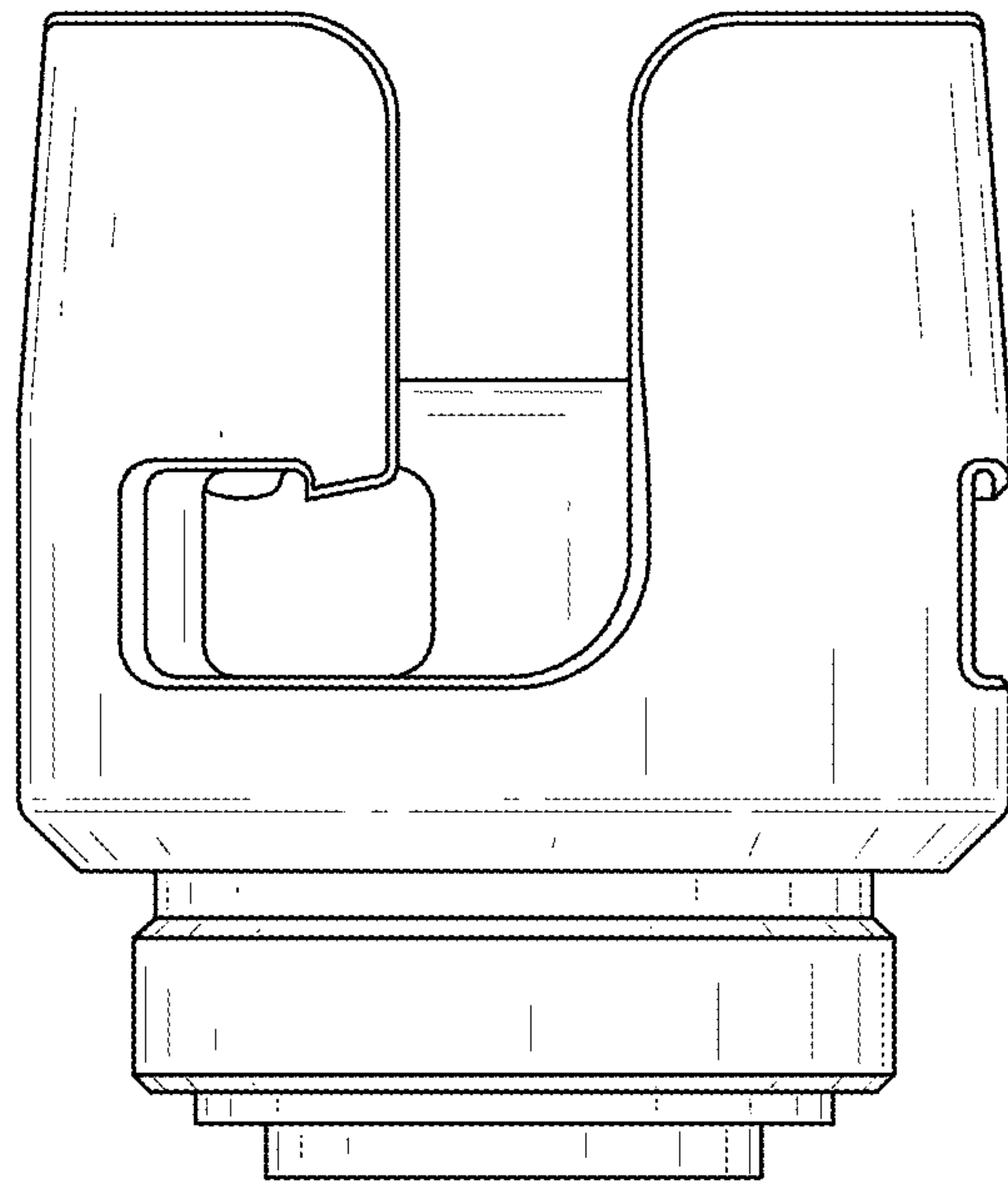


FIG.5

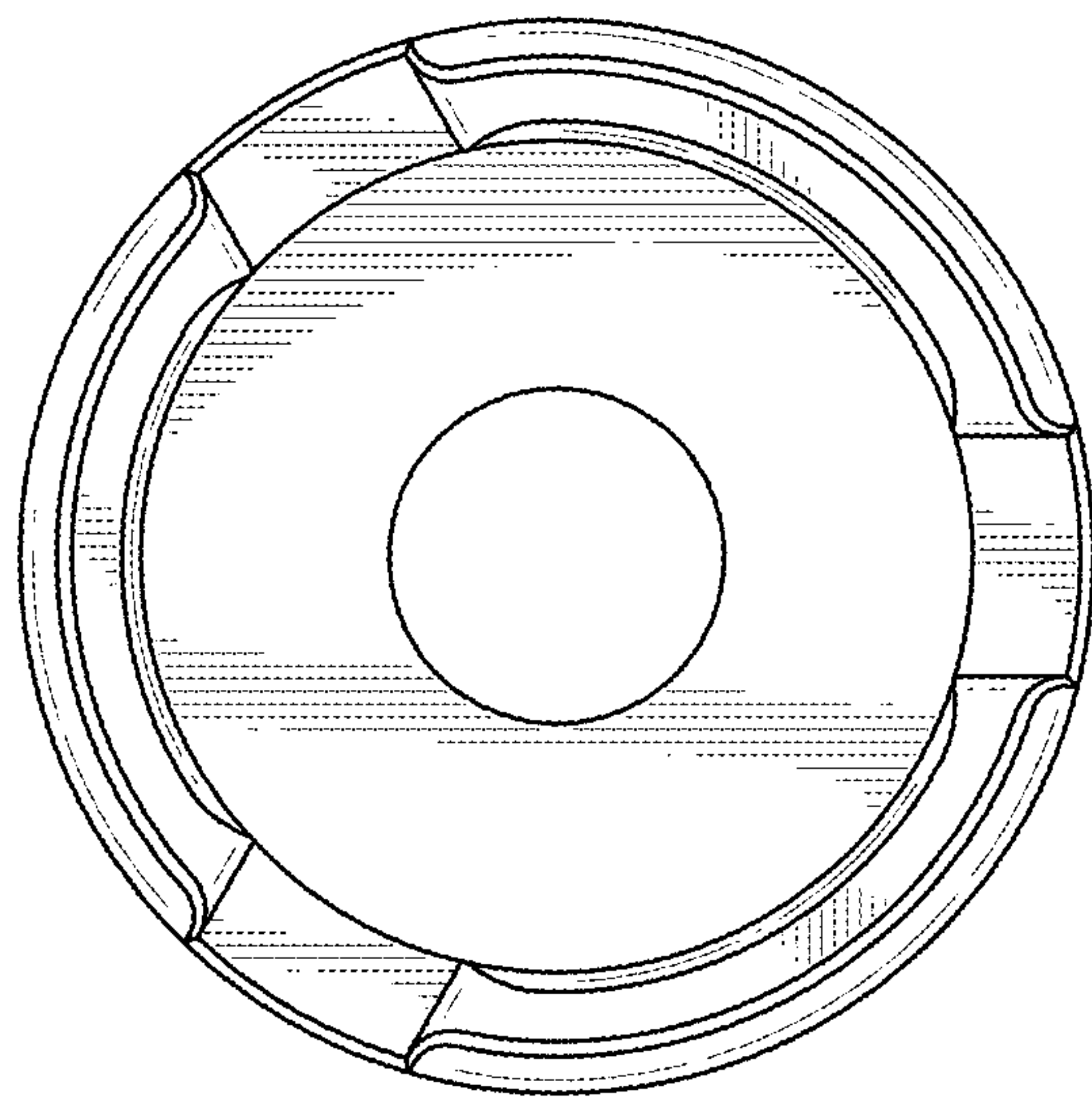


FIG.6

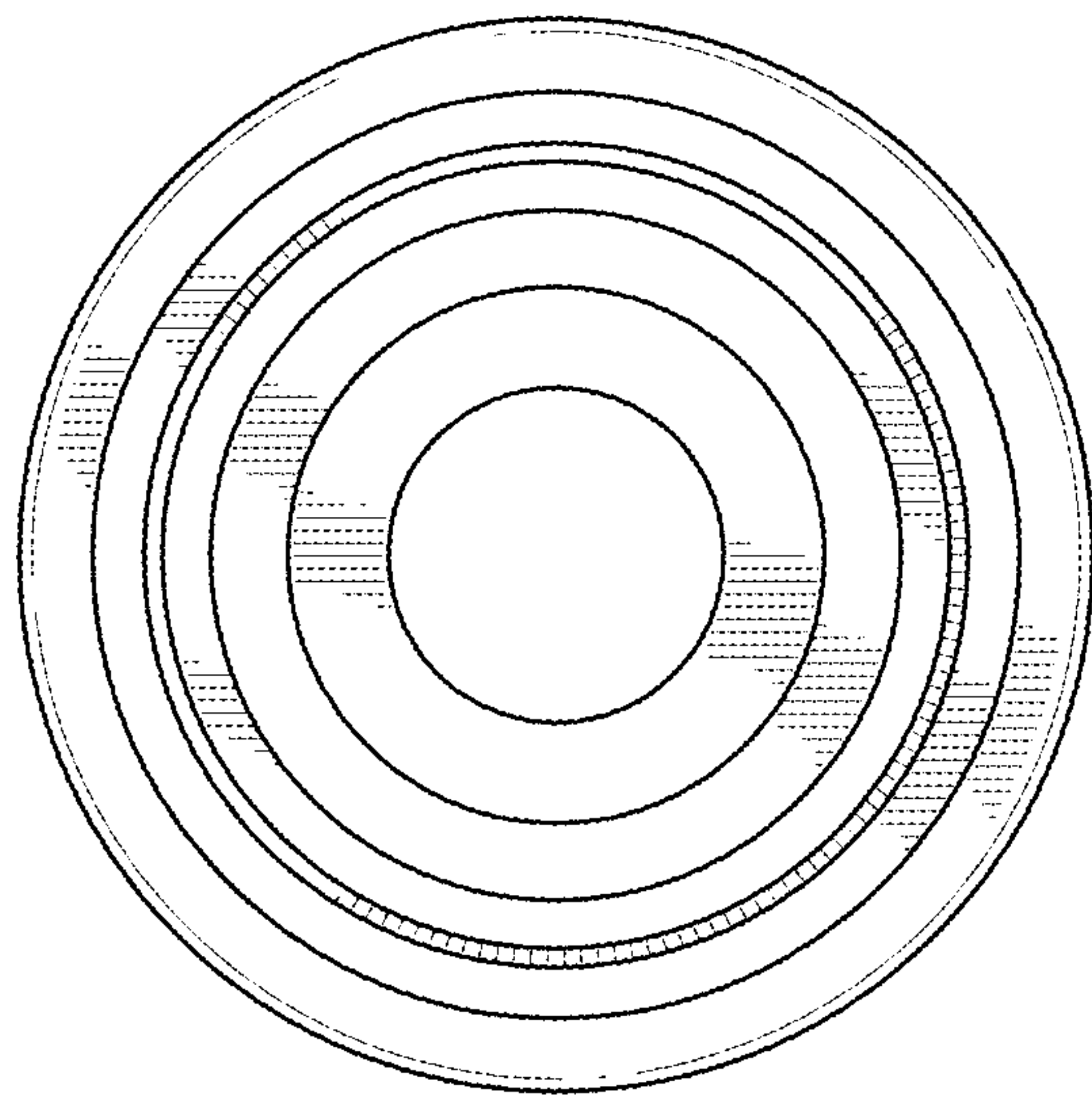


FIG. 7