

US00D896369S

(12) **United States Design Patent** (10) **Patent No.:** **US D896,369 S**
Chase et al. (45) **Date of Patent:** **** Sep. 15, 2020**

(54) **RING BASIN**
(71) Applicants: **Robert N. Chase**, San Rafael, CA (US); **Kenneth M. Blier**, San Rafael, CA (US); **Peter Szyperski**, San Rafael, CA (US)
(72) Inventors: **Robert N. Chase**, San Rafael, CA (US); **Kenneth M. Blier**, San Rafael, CA (US); **Peter Szyperski**, San Rafael, CA (US)
(73) Assignee: **NewGen Surgical, Inc.**, San Rafael, CA (US)

(**) Term: **15 Years**

(21) Appl. No.: **29/677,759**

(22) Filed: **Jan. 23, 2019**

(51) **LOC (12) Cl.** **24-04**

(52) **U.S. Cl.**
USPC **D24/123; D24/227**

(58) **Field of Classification Search**
USPC D24/121, 123, 216-227; D23/203.1, D23/203.3, 304, 309; D9/428, 429; D7/584-587
CPC A61H 35/006; A47K 3/02; A61J 19/00; B60R 15/02
See application file for complete search history.

(56) **References Cited**

U.S. PATENT DOCUMENTS

D433,130 S	*	10/2000	Cude	D24/121
D569,970 S	*	5/2008	Kammer	D24/123
D605,754 S	*	12/2009	Nelson	D24/121
D669,979 S	*	10/2012	Adams	D24/123
D672,457 S	*	12/2012	Foley	D24/123
D692,574 S	*	10/2013	Steinman	D24/216
D694,900 S	*	12/2013	Hohl	D24/220
D694,901 S	*	12/2013	Hohl	D24/220
D727,515 S	*	4/2015	Kim	D24/201

D729,932 S	*	5/2015	Riordan	D24/121
D746,979 S	*	1/2016	Dominguez	D24/121
D747,497 S	*	1/2016	Bell	D24/220
D773,683 S	*	12/2016	Kuroda	D24/224
D774,203 S	*	12/2016	Zolotnik	D24/204
D857,494 S	*	8/2019	Kim	D9/428
D874,020 S	*	1/2020	Kamees	D24/227

* cited by examiner

Primary Examiner — Susan Bennett Hattan

Assistant Examiner — Omeed Agilee

(74) *Attorney, Agent, or Firm* — Steven A. Nielsen;

www.NielsenPatents.com

(57) **CLAIM**

The ornamental design for a ring basin, as shown and described.

DESCRIPTION

FIG. 1 is a top and side perspective view of a ring basin showing a new design;

FIG. 2 is a front side view thereof;

FIG. 3 is a back side view thereof;

FIG. 4 is a left view thereof;

FIG. 5 is a right side view thereof;

FIG. 6 is a top side view thereof;

FIG. 7 is a bottom side view thereof;

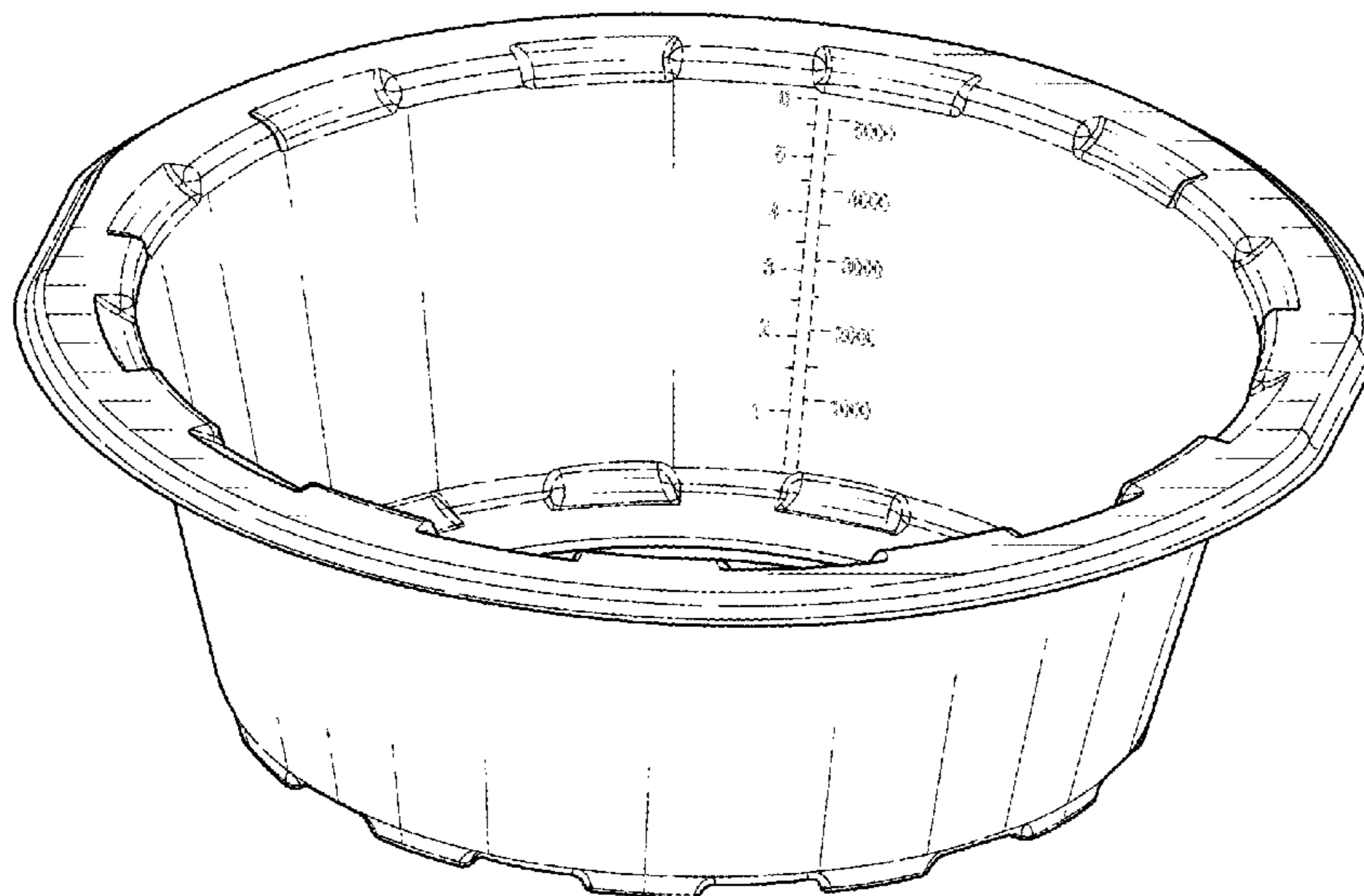
FIG. 8 is a sectional perspective view thereof taken from line 8-8 in FIG. 5;

FIG. 9 is an enlarged perspective view thereof taken from area 9 circumscribed in FIG. 8; and,

FIG. 10 is an enlarged sectional perspective view thereof taken from area 10 circumscribed in FIG. 8.

The measurement values shown in dashed lines on FIGS. 1, 6 and 8 show environmental conditions only and form no part of the claimed design. The dot-dash-dot broken lines in FIG. 8 of the drawings depict the boundaries of the enlarged views that from no part of the claimed design. The dash lines shown in FIG. 7 depict portions of the ring basin that from no part of the claimed design.

1 Claim, 8 Drawing Sheets



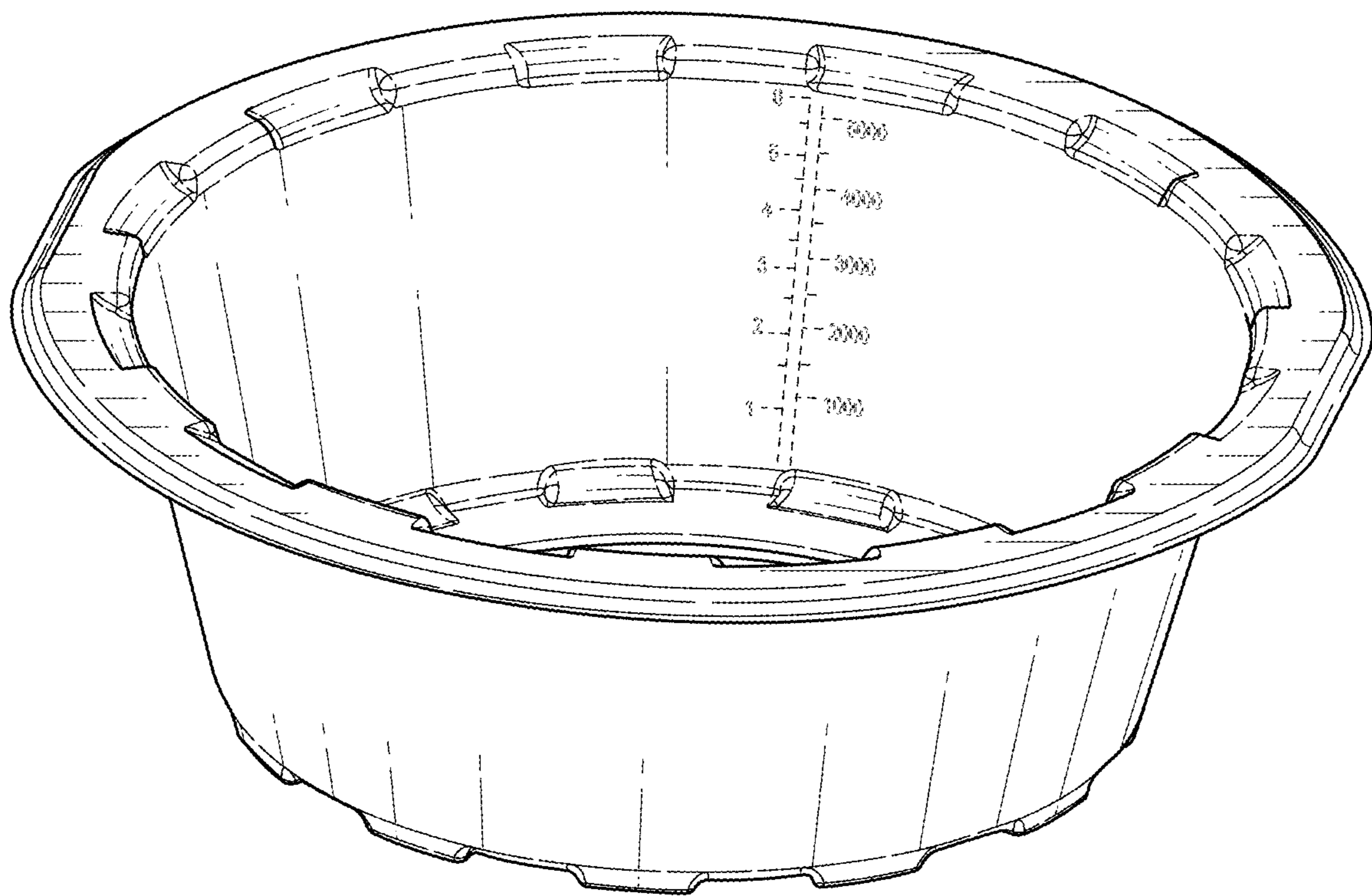


FIG. 1

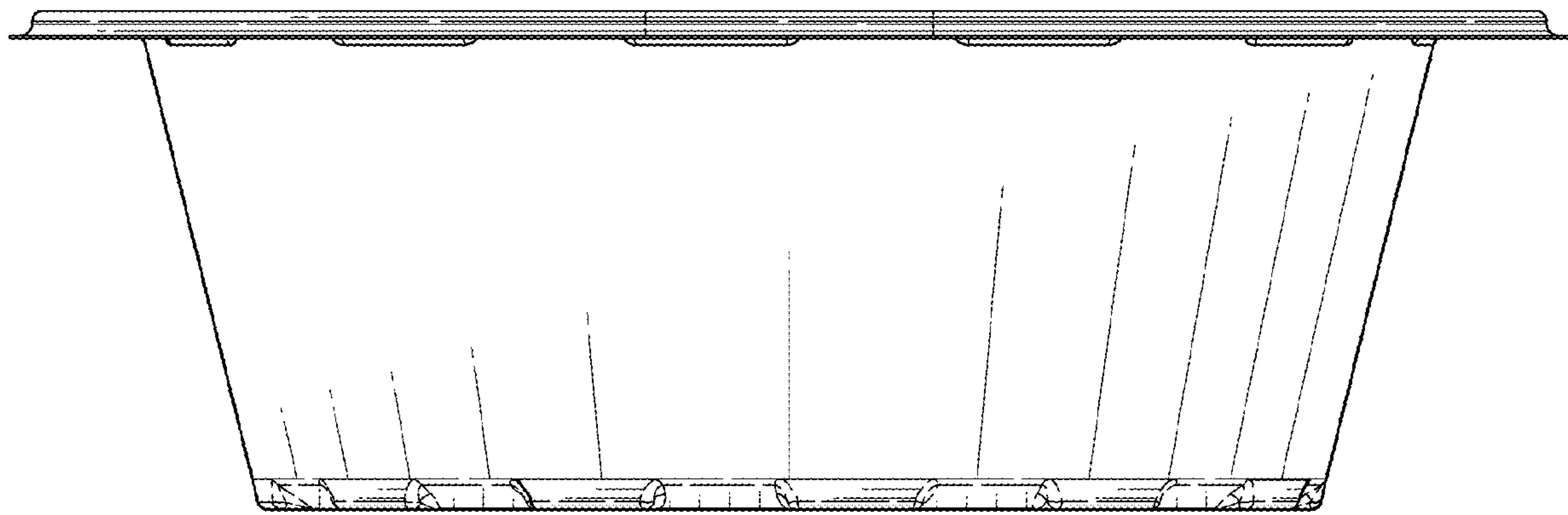


FIG. 2

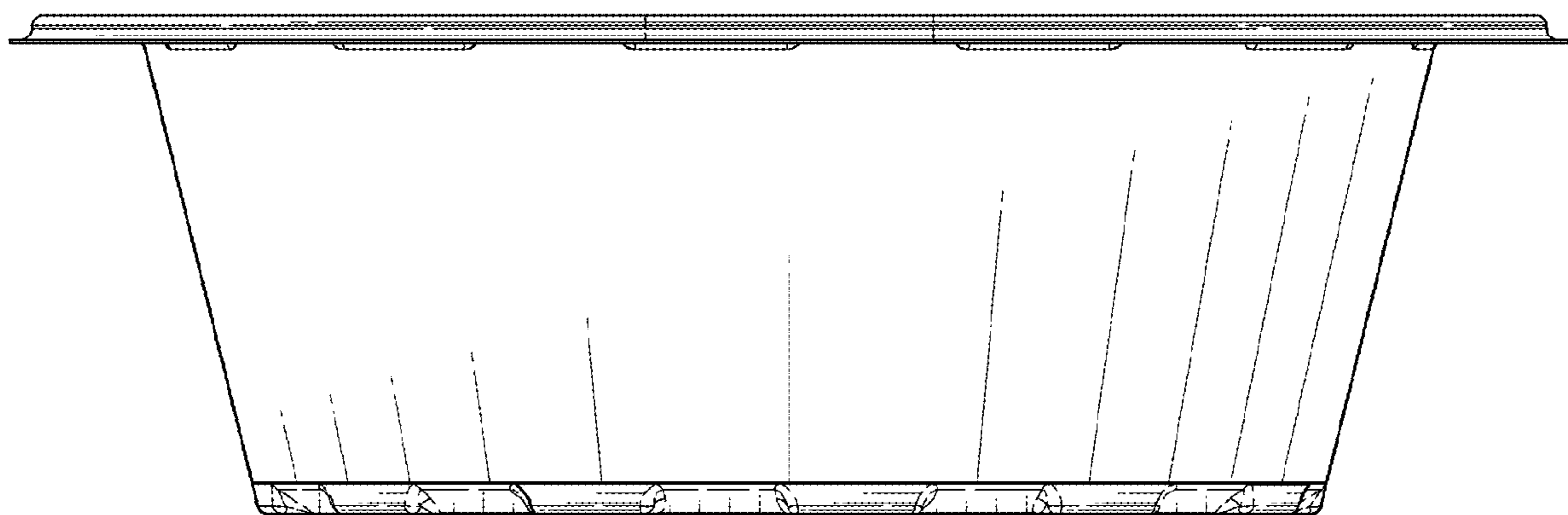


FIG. 3

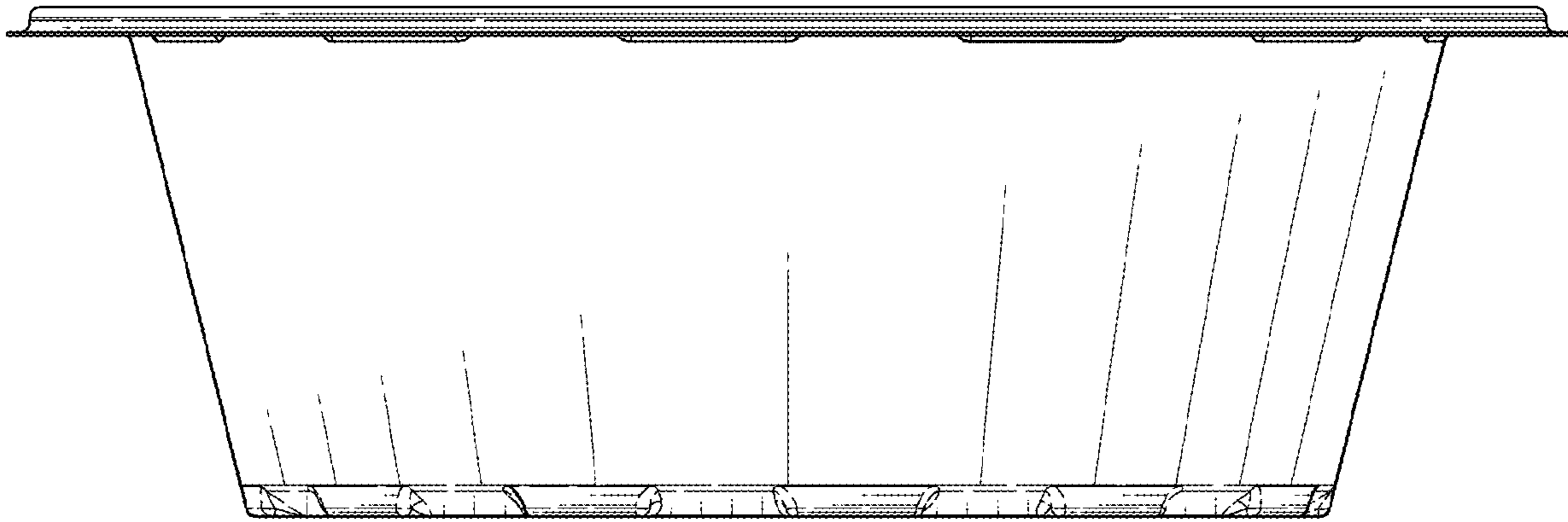


FIG. 4

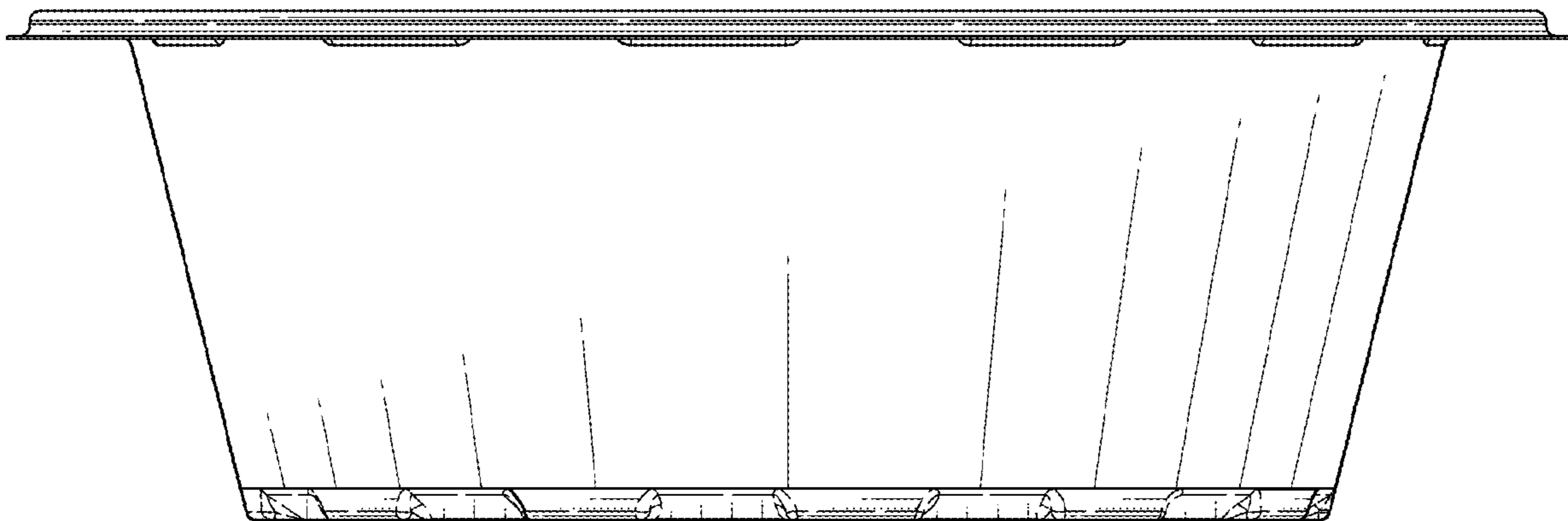


FIG. 5

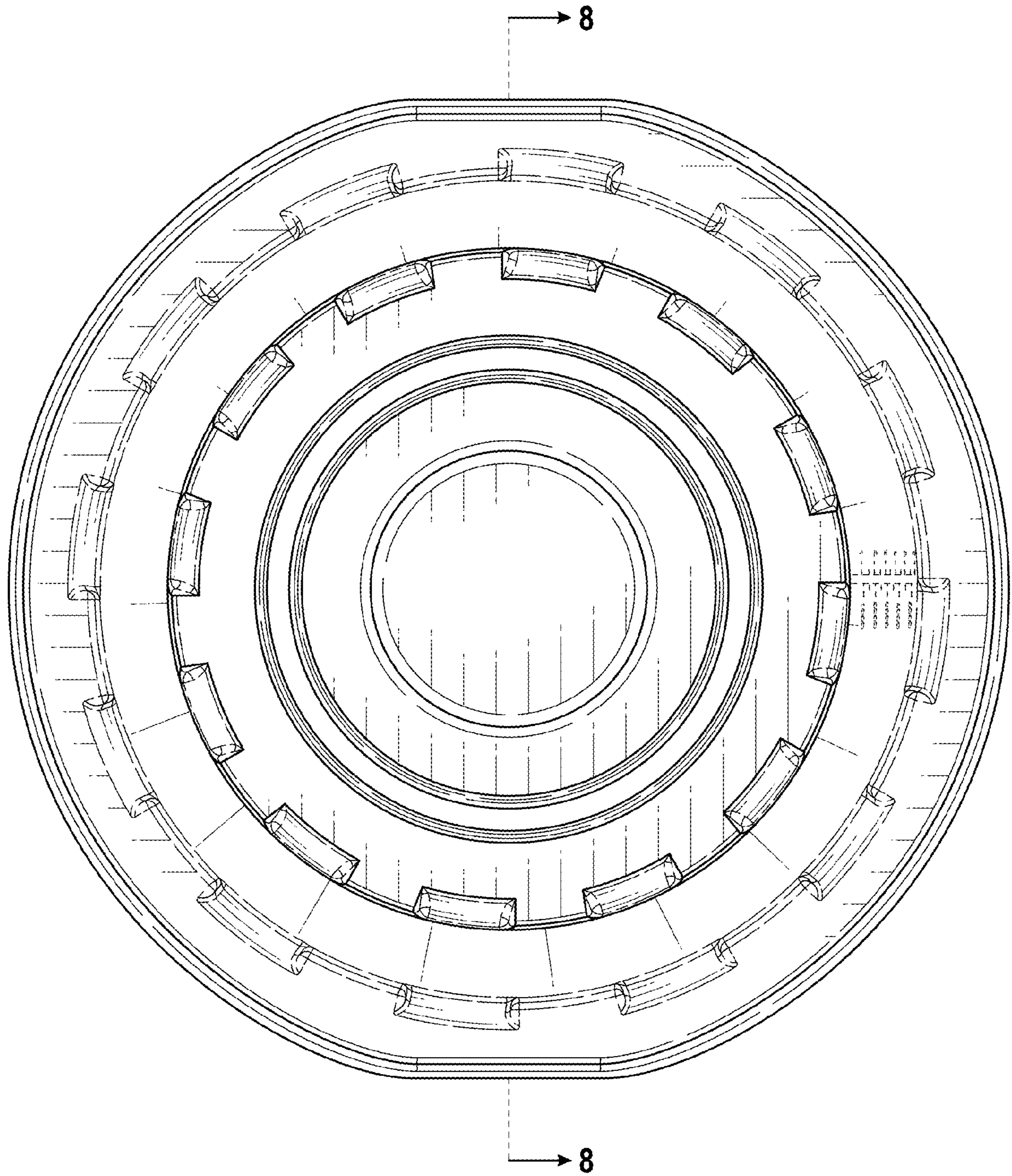


FIG. 6

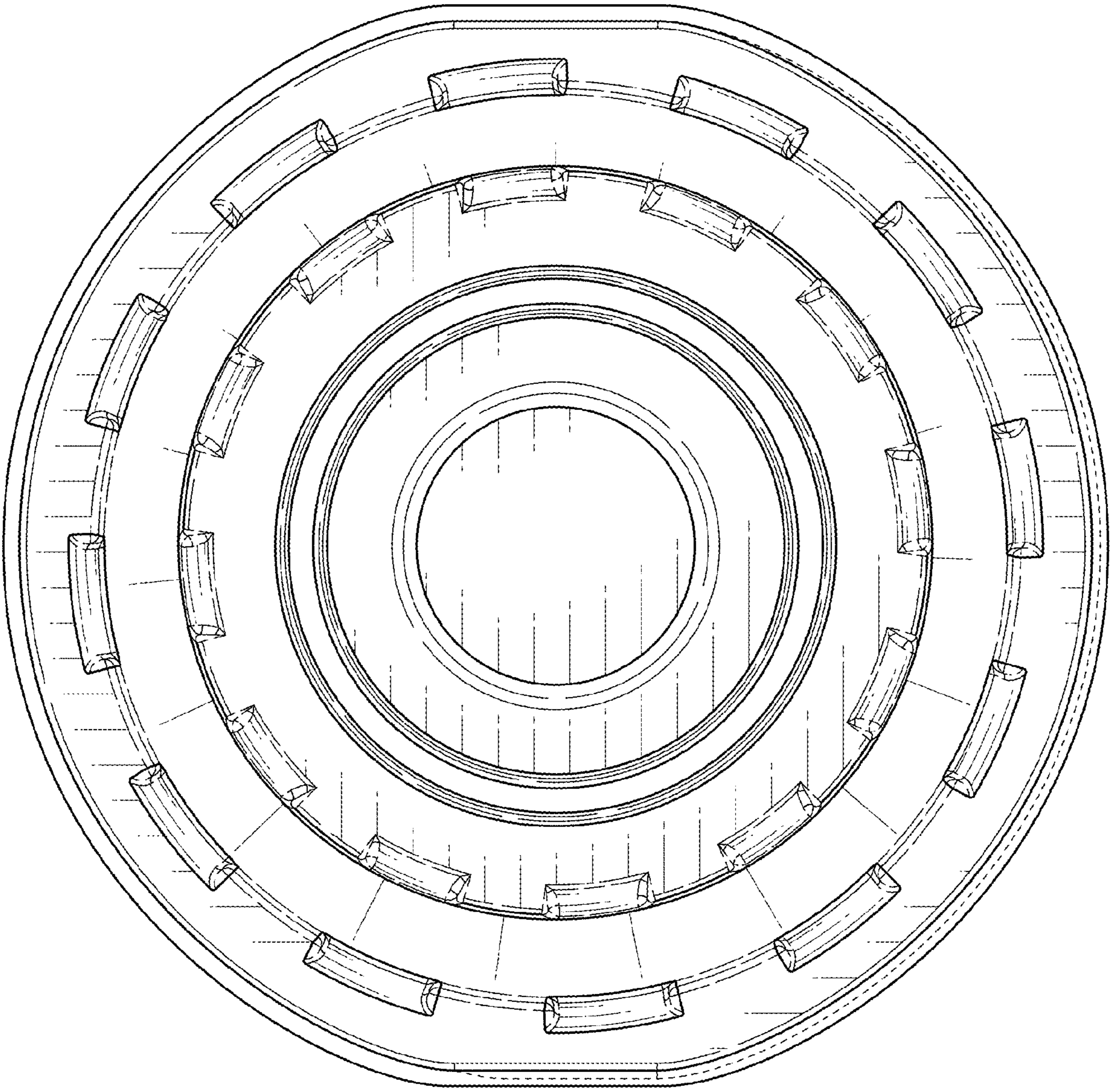


FIG. 7

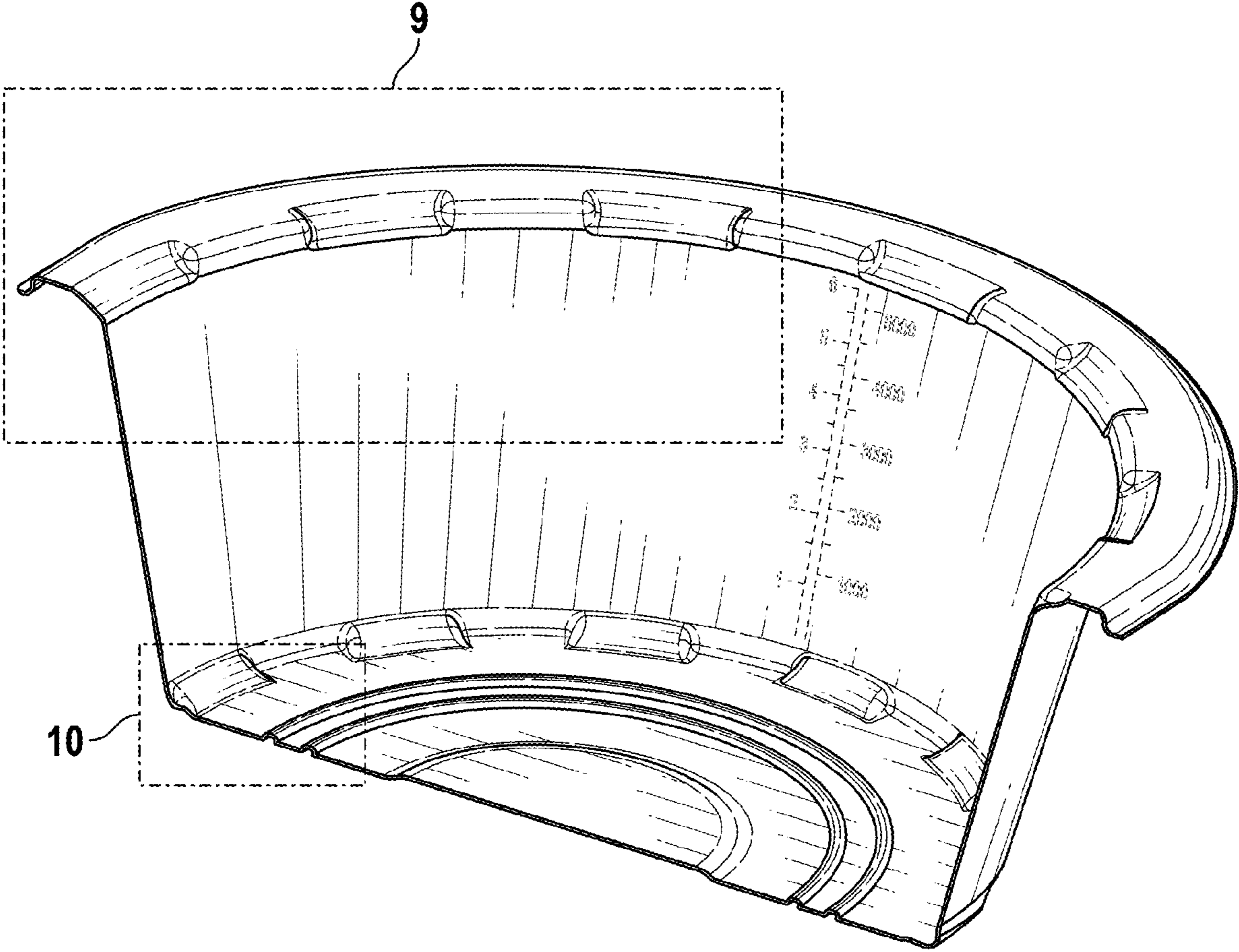


FIG. 8

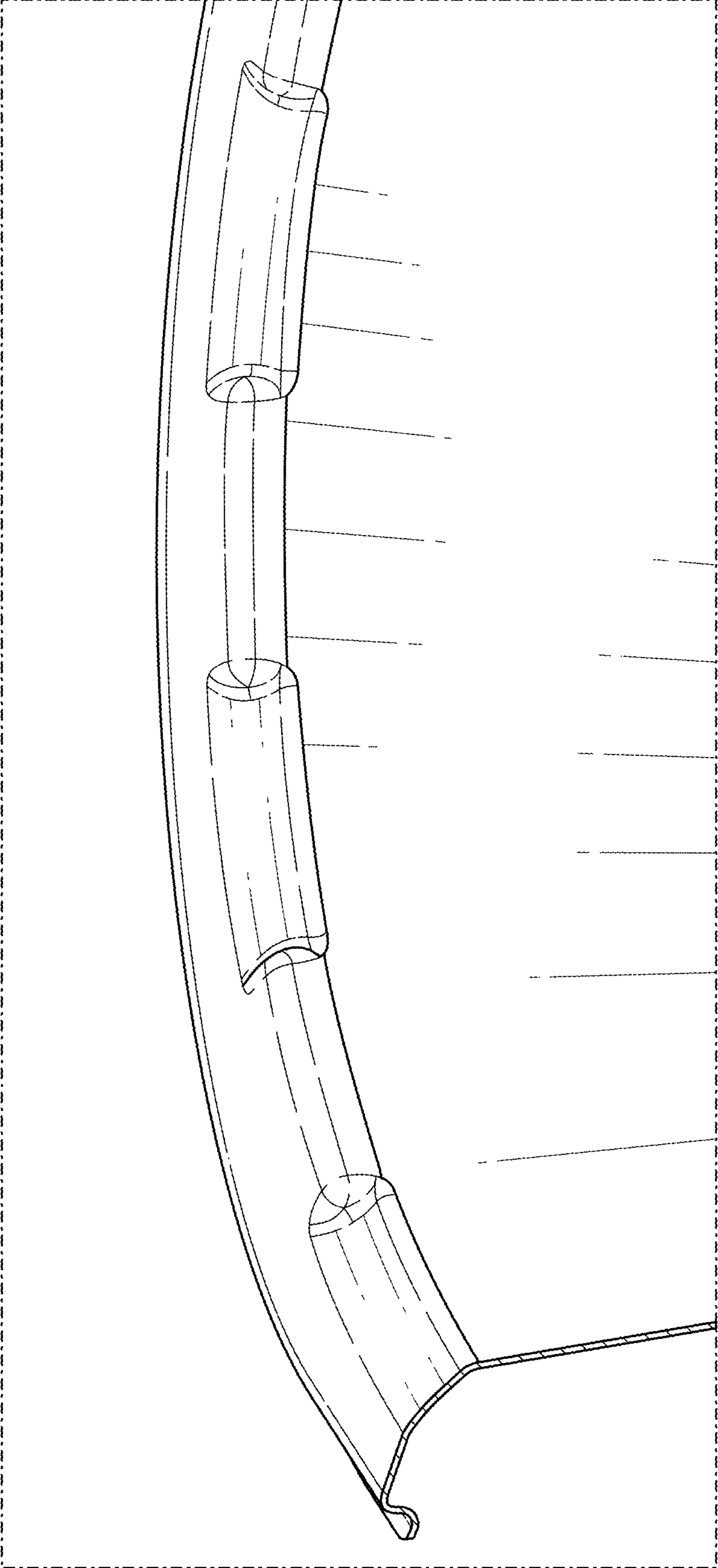


FIG. 9

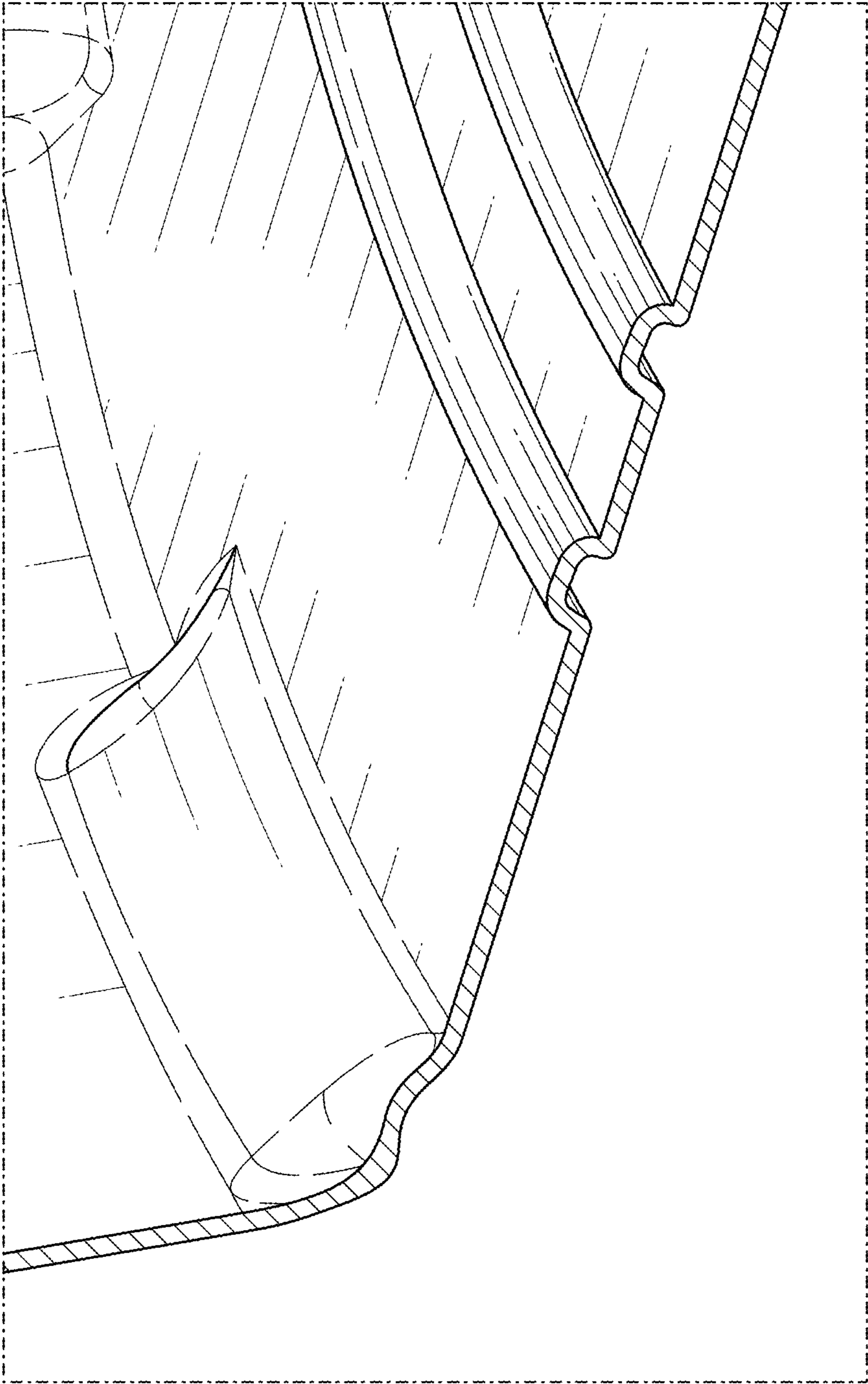


FIG. 10