



US00D896368S

(12) **United States Design Patent** (10) **Patent No.:** **US D896,368 S**
Zhang (45) **Date of Patent:** **** Sep. 15, 2020**

(54) **BIDET**
 (71) Applicant: **Xiaobin Zhang**, Xiamen (CN)
 (72) Inventor: **Xiaobin Zhang**, Xiamen (CN)
 (**) Term: **15 Years**
 (21) Appl. No.: **29/731,400**
 (22) Filed: **Apr. 15, 2020**
 (51) **LOC (12) Cl.** **24-02**
 (52) **U.S. Cl.**
 USPC **D24/121**
 (58) **Field of Classification Search**
 USPC D24/112–115, 108, 133, 130, 127, 197,
 D24/121, 122; D23/295–303; D9/447,
 D9/549; 606/181, 185; 604/264, 272,
 604/187, 181, 184, 227
 CPC A61M 5/178; A61M 3/00
 See application file for complete search history.

D655,380 S * 3/2012 Taylor D23/213
 D702,830 S * 4/2014 Hannah D24/108
 D775,724 S * 1/2017 Pagliacci D24/115
 D785,258 S 4/2017 Canas et al.
 D818,227 S 5/2018 Nam et al.
 D821,567 S * 6/2018 Feldman D24/108
 D826,493 S 8/2018 Nam et al.
 D872,852 S * 1/2020 Mechor D24/108
 D875,244 S * 2/2020 Wainberg D24/130

* cited by examiner

Primary Examiner — David G Muller
 (74) *Attorney, Agent, or Firm* — HYIP

(57) **CLAIM**

The ornamental design for a bidet, as shown and described.

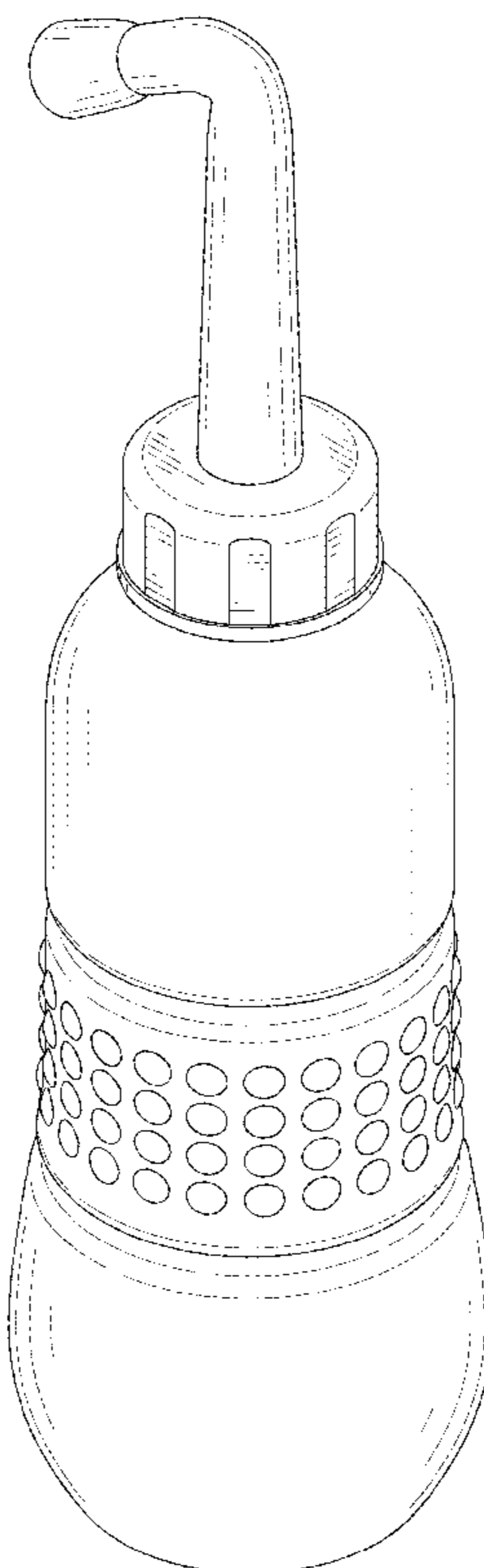
DESCRIPTION

FIG. 1 is a first perspective view of a bidet showing my new design;
 FIG. 2 is a second perspective view thereof;
 FIG. 3 is a front view thereof;
 FIG. 4 is a back view thereof;
 FIG. 5 is a left side view thereof;
 FIG. 6 is a right side view thereof;
 FIG. 7 is a top view thereof; and,
 FIG. 8 is a bottom view thereof.
 The broken lines shown in the drawings depict portions of the bidet in which the design is embodied that form no part of the claimed design.

(56) **References Cited**
 U.S. PATENT DOCUMENTS

4,140,120 A * 2/1979 Yamauchi A61M 3/0262
 4/443
 D294,986 S * 3/1988 Atchley D30/132
 D328,421 S * 8/1992 Weiler D24/115
 D334,341 S * 3/1993 Brown D7/312
 D348,802 S * 7/1994 Miller, III D12/411
 D384,149 S * 9/1997 Usher D24/110
 5,937,451 A * 8/1999 Mihara E03D 9/085
 239/583

1 Claim, 8 Drawing Sheets



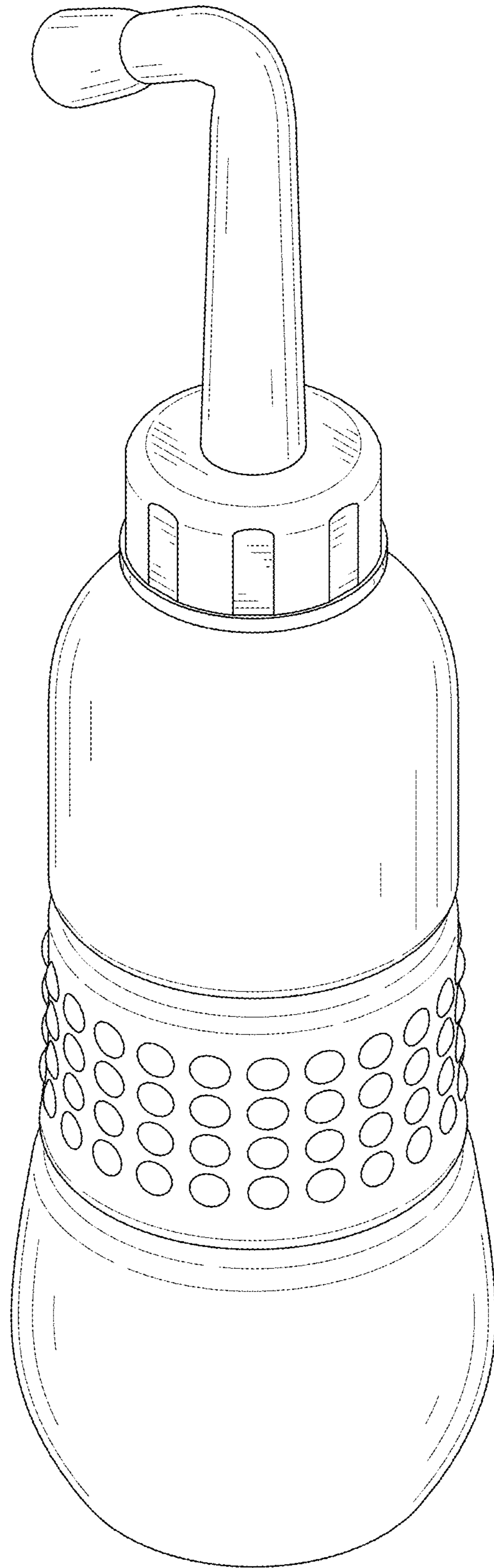


FIG. 1

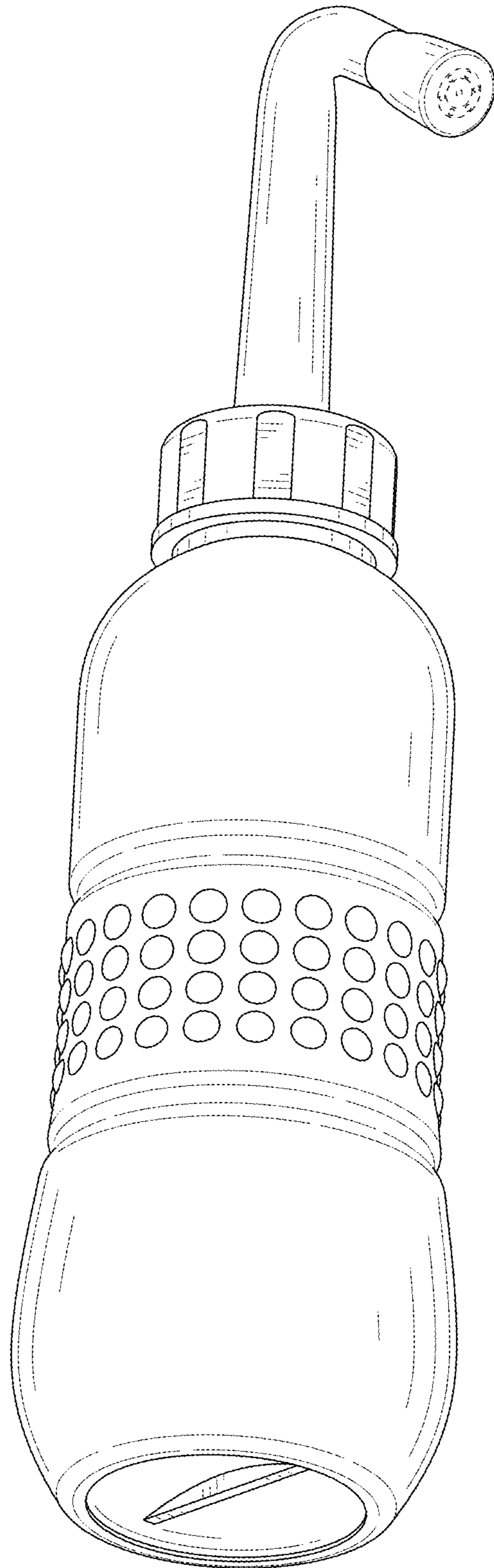


FIG. 2

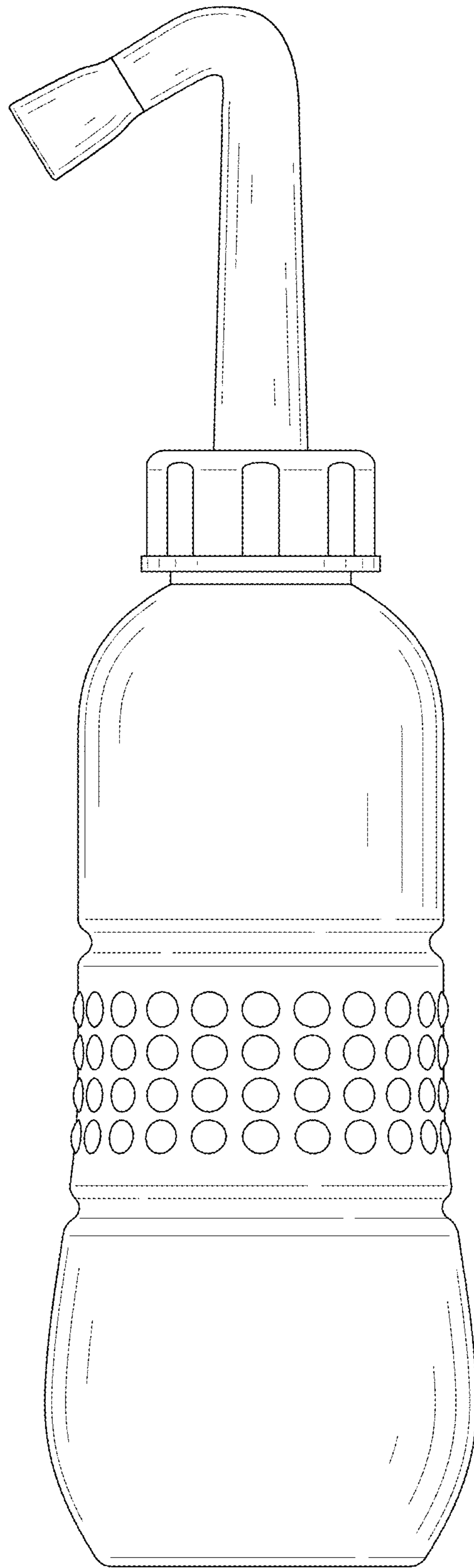


FIG. 3

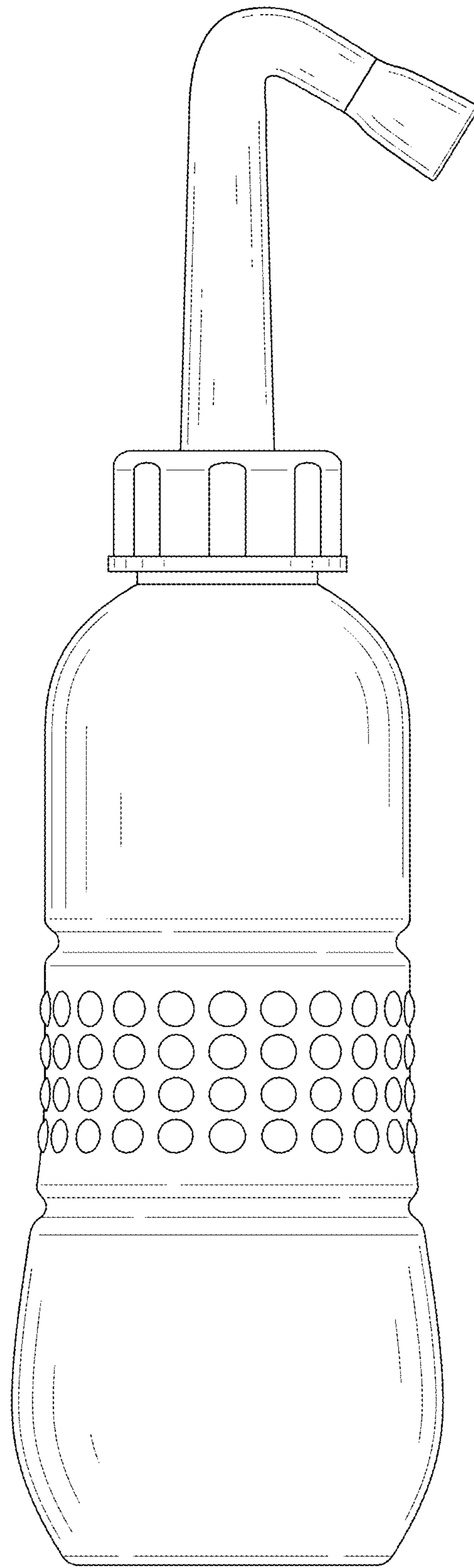


FIG. 4

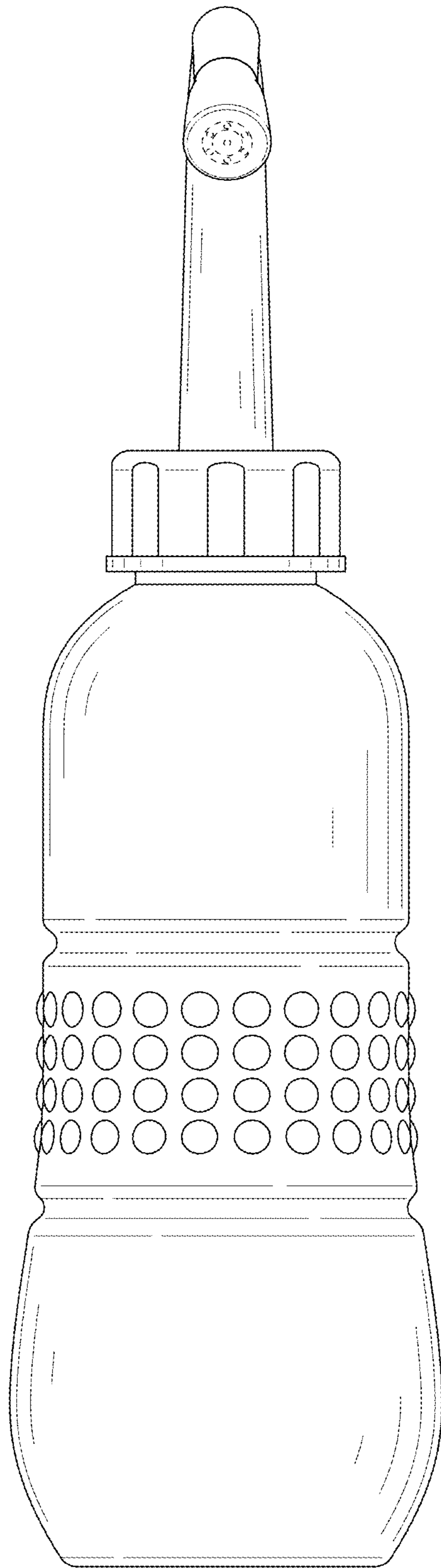


FIG. 5

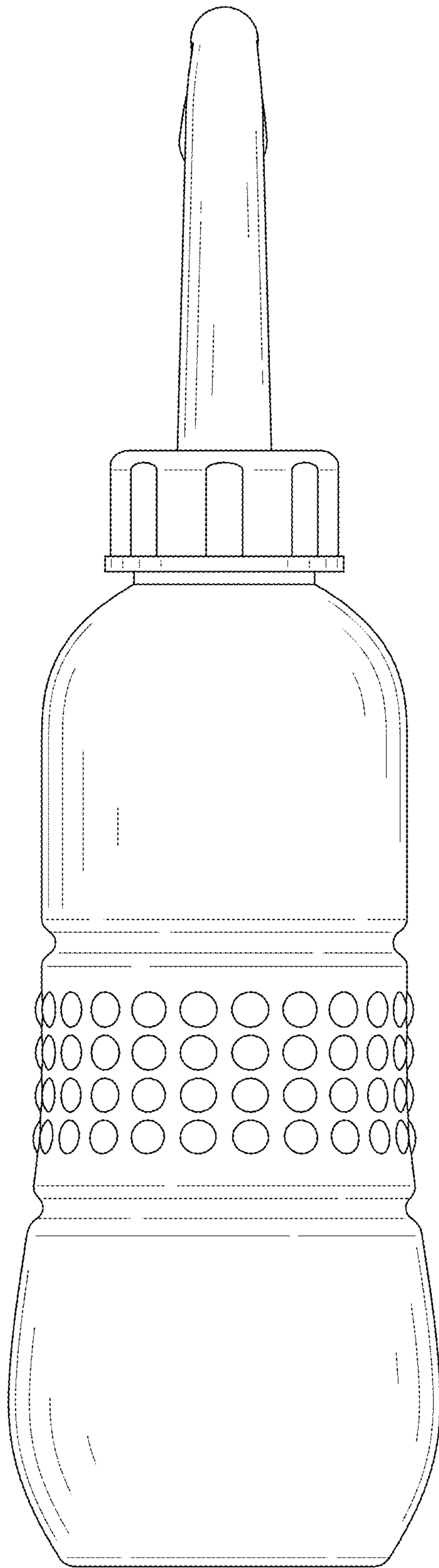


FIG. 6

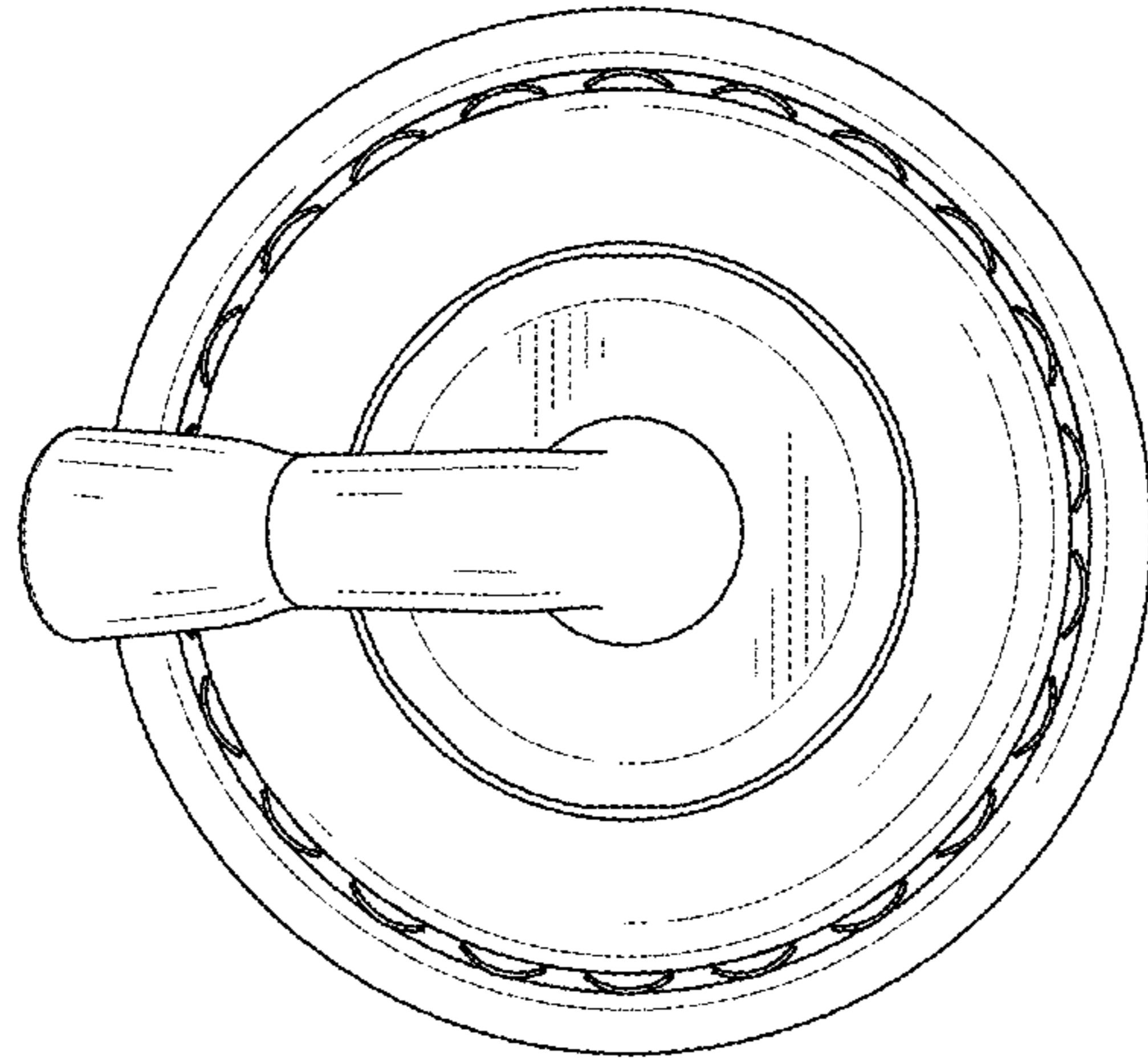


FIG. 7

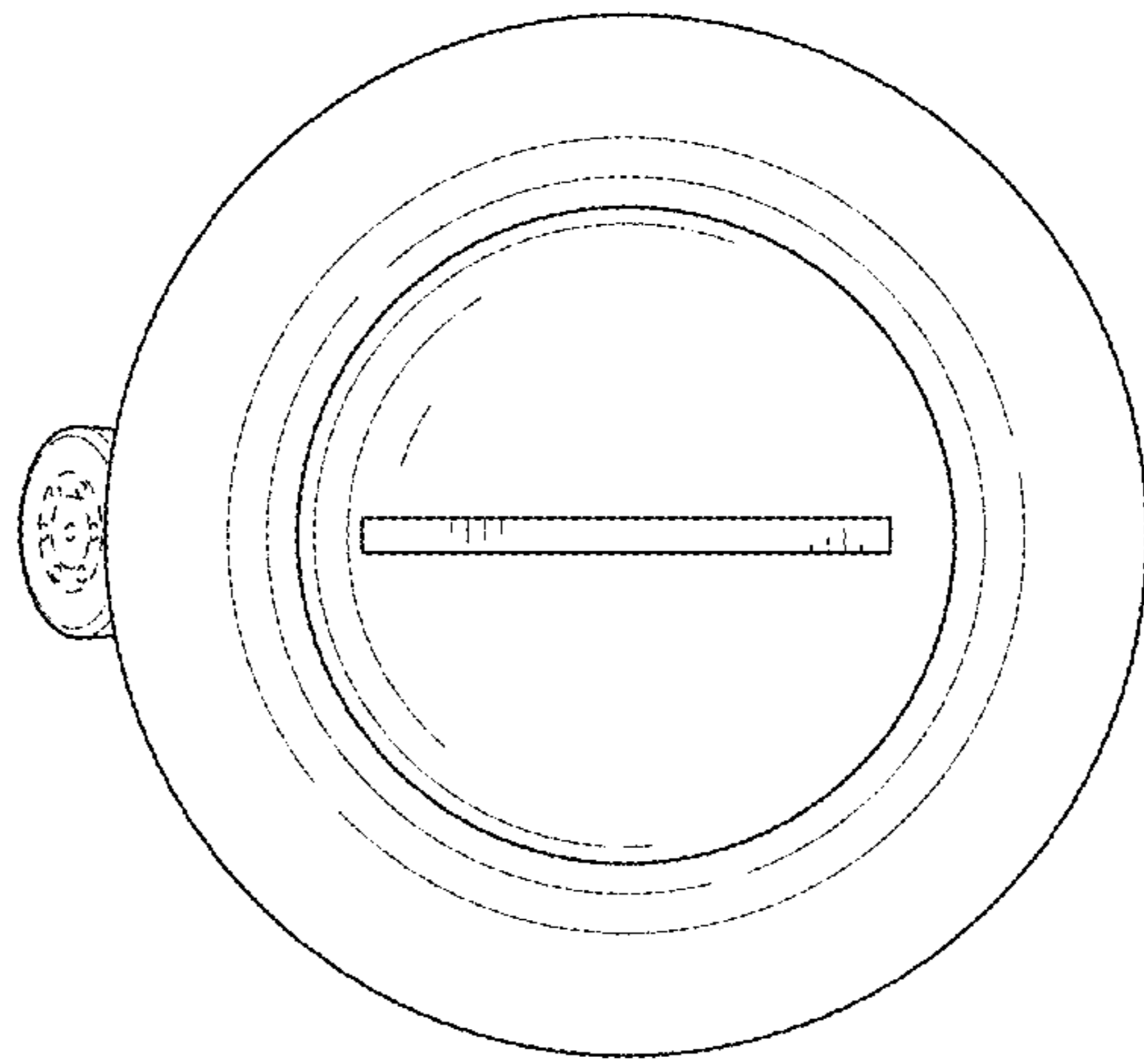


FIG. 8