



US00D896367S

(12) **United States Design Patent** (10) **Patent No.:** **US D896,367 S**  
**Combs et al.** (45) **Date of Patent:** **\*\* Sep. 15, 2020**

(54) **BOTTLE**

(71) Applicant: **Gen-Probe Incorporated**, San Diego, CA (US)

(72) Inventors: **David H. Combs**, San Diego, CA (US);  
**Ayra Baker**, Escondido, CA (US);  
**David A. Buse**, San Diego, CA (US)

(73) Assignee: **Gen-Probe Incorporated**, San Diego, CA (US)

(\*\*) Term: **15 Years**

(21) Appl. No.: **29/690,019**

(22) Filed: **May 3, 2019**

(51) **LOC (12) Cl.** ..... **24-04**

(52) **U.S. Cl.**  
USPC ..... **D24/121**; D9/524; D9/528

(58) **Field of Classification Search**  
USPC ..... D9/434, 516, 520, 522–524, 528,  
D9/530–531, 543, 571, 575, 682, 685,  
D9/715, 719, 742; D6/545; D23/202,  
D23/225; D24/117, 121–122, 131, 169,  
D24/224; D32/15, 17, 25, 45, 50–51  
CPC ..... B65D 1/00; B65D 1/02; B65D 1/0223;  
B65D 1/023; B65D 1/40; B65D 23/00;  
B65D 23/10; B65D 23/102; B65D 25/00;  
B65D 25/28; B65D 25/2882; B65D  
25/2888; B65D 25/2894; B65D 25/2897;  
B65D 2501/00; B65D 2501/0009; B65D  
2501/0081; B05B 11/0037; A61M  
1/0001; A61M 1/0005; A61M 1/0007  
See application file for complete search history.

(56) **References Cited**

**U.S. PATENT DOCUMENTS**

D213,763 S \* 4/1969 Plummer ..... D9/531  
D230,708 S \* 3/1974 Hutter ..... D9/528  
D318,228 S \* 7/1991 Schlesselman ..... D9/531

D325,257 S \* 4/1992 Andersen ..... D24/169  
D325,258 S \* 4/1992 Andersen ..... D24/169  
D325,259 S \* 4/1992 Andersen ..... D24/169  
D332,544 S \* 1/1993 Steiner ..... D6/545  
D338,406 S \* 8/1993 Bennebroek ..... D9/523  
D470,056 S \* 2/2003 Schlueter ..... D9/531  
D578,889 S 10/2008 Sadiq  
D607,335 S \* 1/2010 Bates ..... D9/531  
D609,773 S \* 2/2010 Abernethy ..... D23/202  
D611,827 S \* 3/2010 Bates ..... D9/531  
D652,479 S \* 1/2012 Theiss ..... D23/202  
D674,277 S 1/2013 Hanson et al.  
D763,690 S 8/2016 Greenfield  
D804,313 S \* 12/2017 Reches ..... D9/522

(Continued)

**OTHER PUBLICATIONS**

Notice of Allowance dated May 19, 2020 issued in U.S. Appl. No. 29/690,020 (7 pages).

*Primary Examiner* — Dana Meyrow

(74) *Attorney, Agent, or Firm* — Rothwell, Figg, Ernst & Manbeck, P.C.; Charles B. Cappellari, Esq.

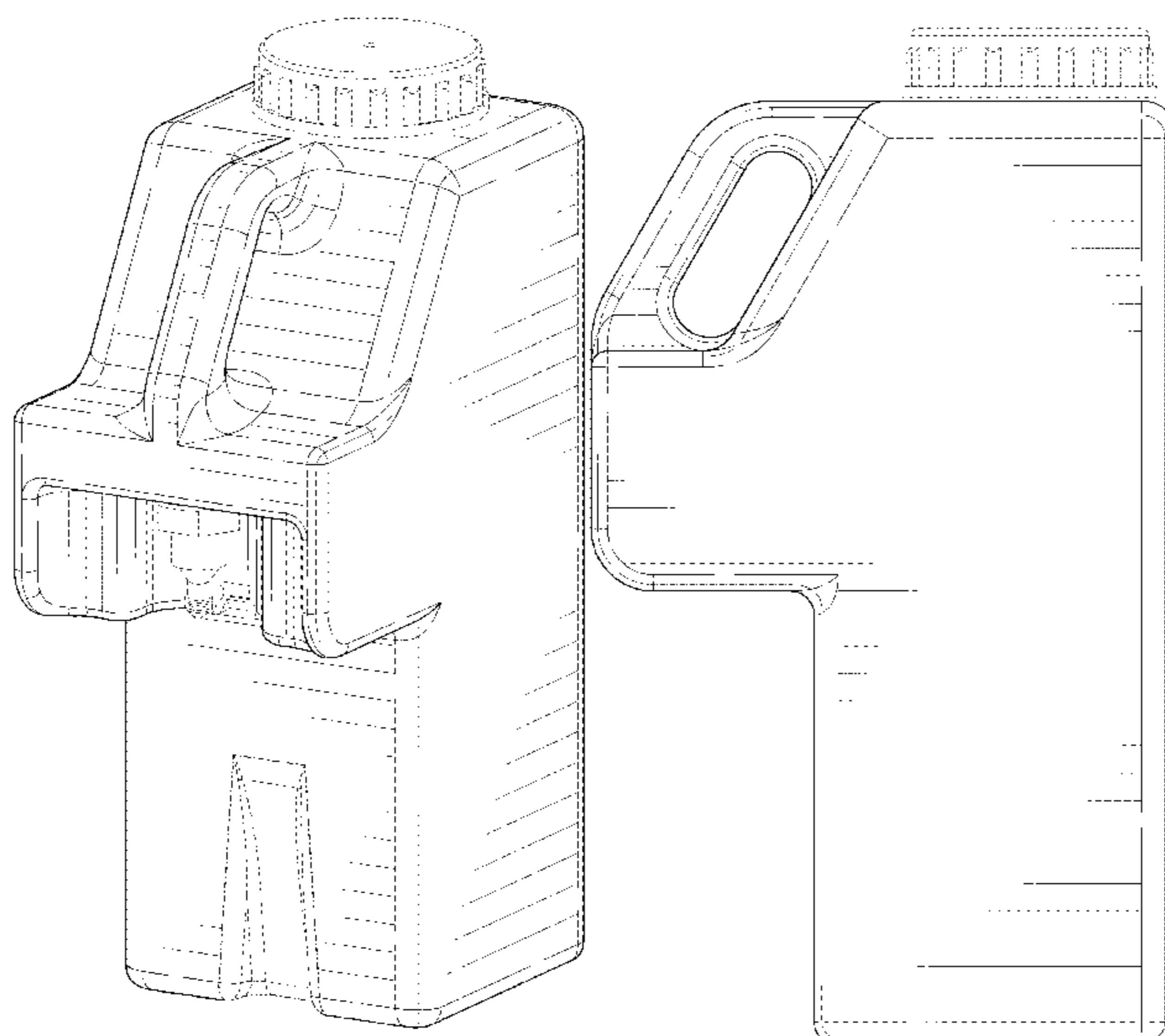
(57) **CLAIM**

The ornamental design for a bottle, as shown and described.

**DESCRIPTION**

FIG. 1 shows a top perspective view of the bottle.  
FIG. 2 shows a front elevation view thereof.  
FIG. 3 shows a back elevation view thereof.  
FIG. 4 shows a left-side elevation view thereof.  
FIG. 5 shows a right-side elevation view thereof.  
FIG. 6 shows a top plan view thereof.  
FIG. 7 shows a bottom plan view thereof; and,  
FIG. 8 shows a bottom perspective view thereof.  
The evenly-dashed broken lines in the drawings illustrate the portions of the bottle that form no part of the claimed design. The dot-dash broken lines in the drawings define the bounds of the claim and form no part thereof.

**1 Claim, 8 Drawing Sheets**



(56)

**References Cited**

U.S. PATENT DOCUMENTS

D858,290 S \* 9/2019 Hentges ..... D9/528  
D872,577 S 1/2020 Kim

\* cited by examiner

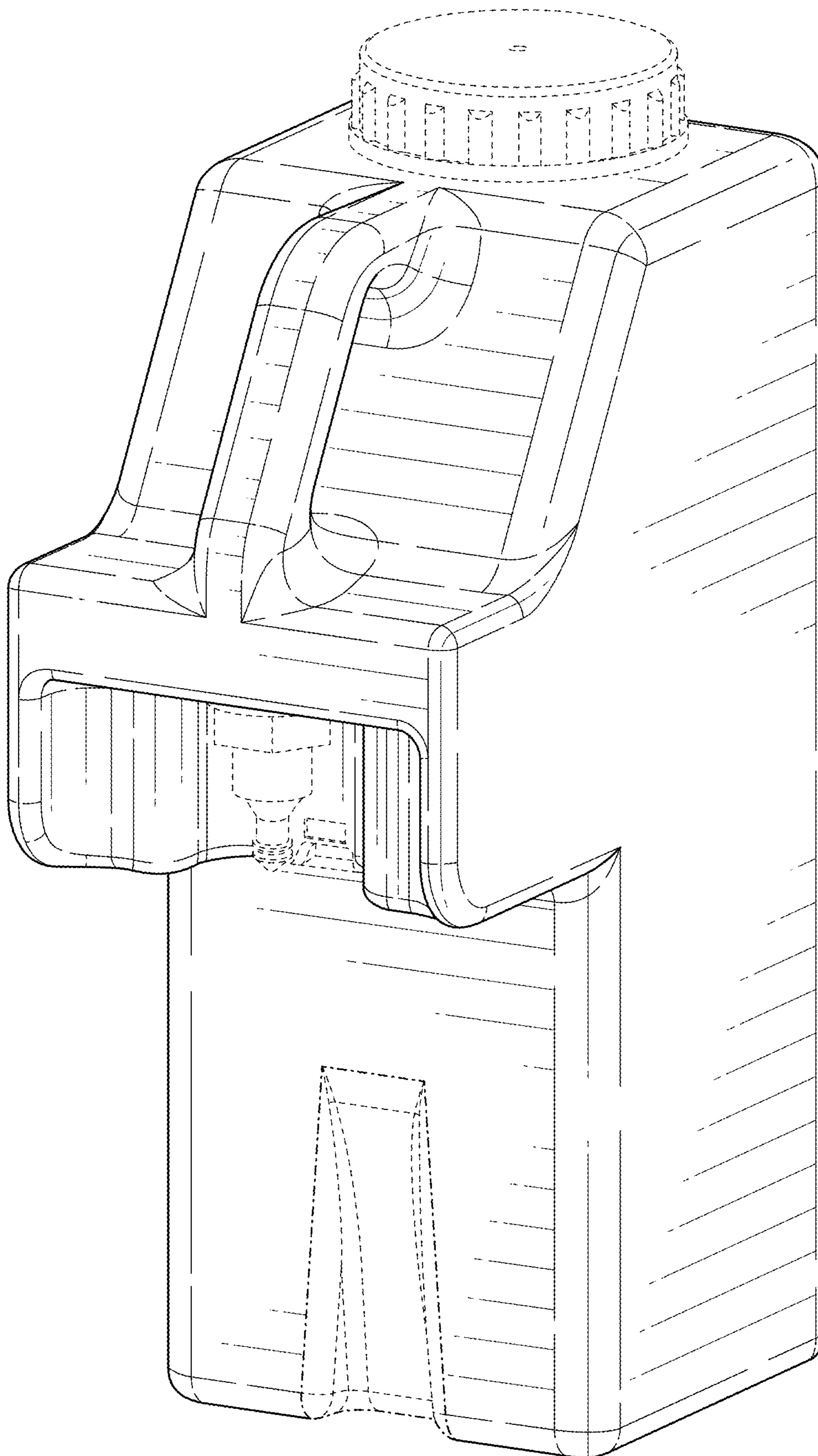


FIG. 1

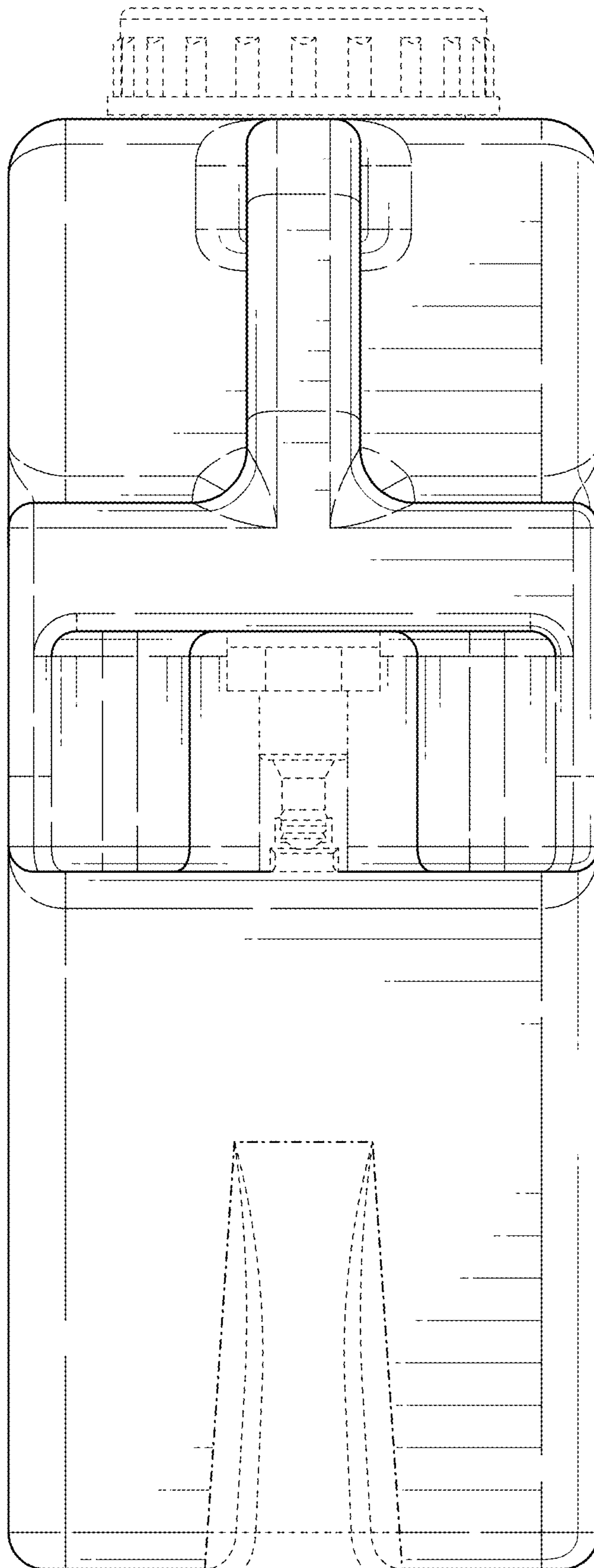


FIG. 2

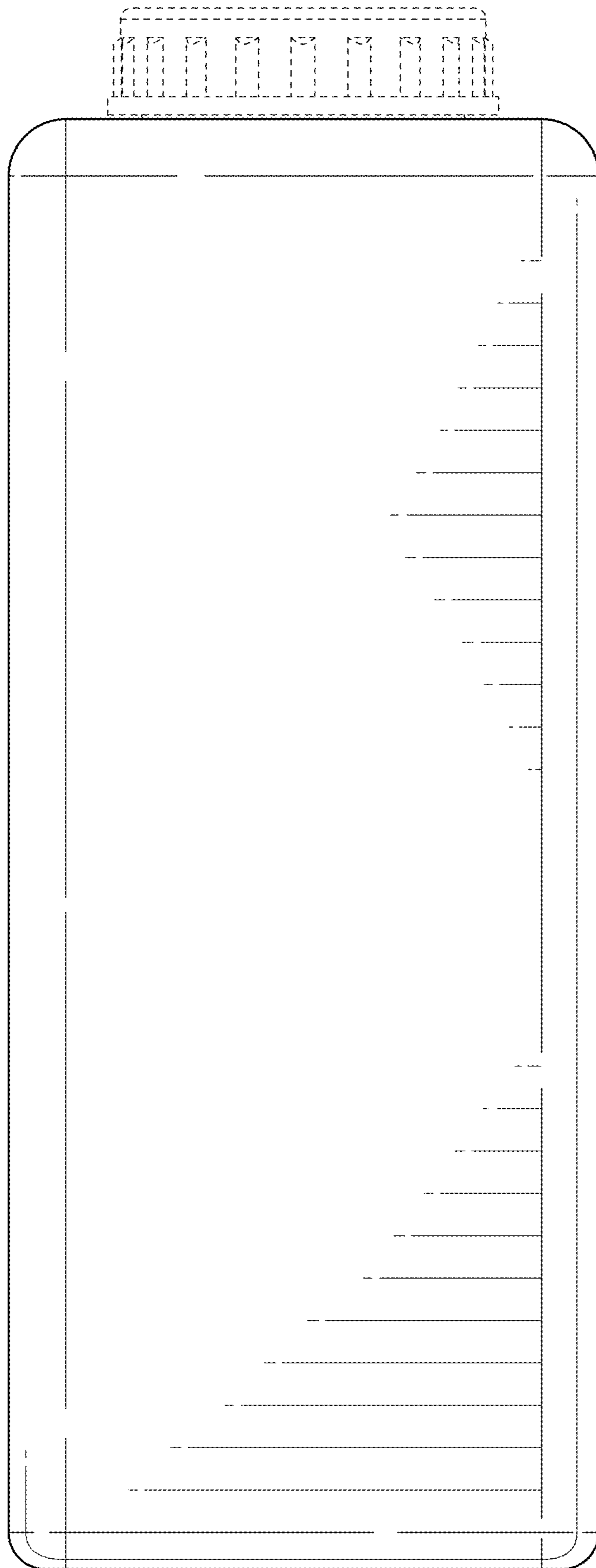


FIG. 3

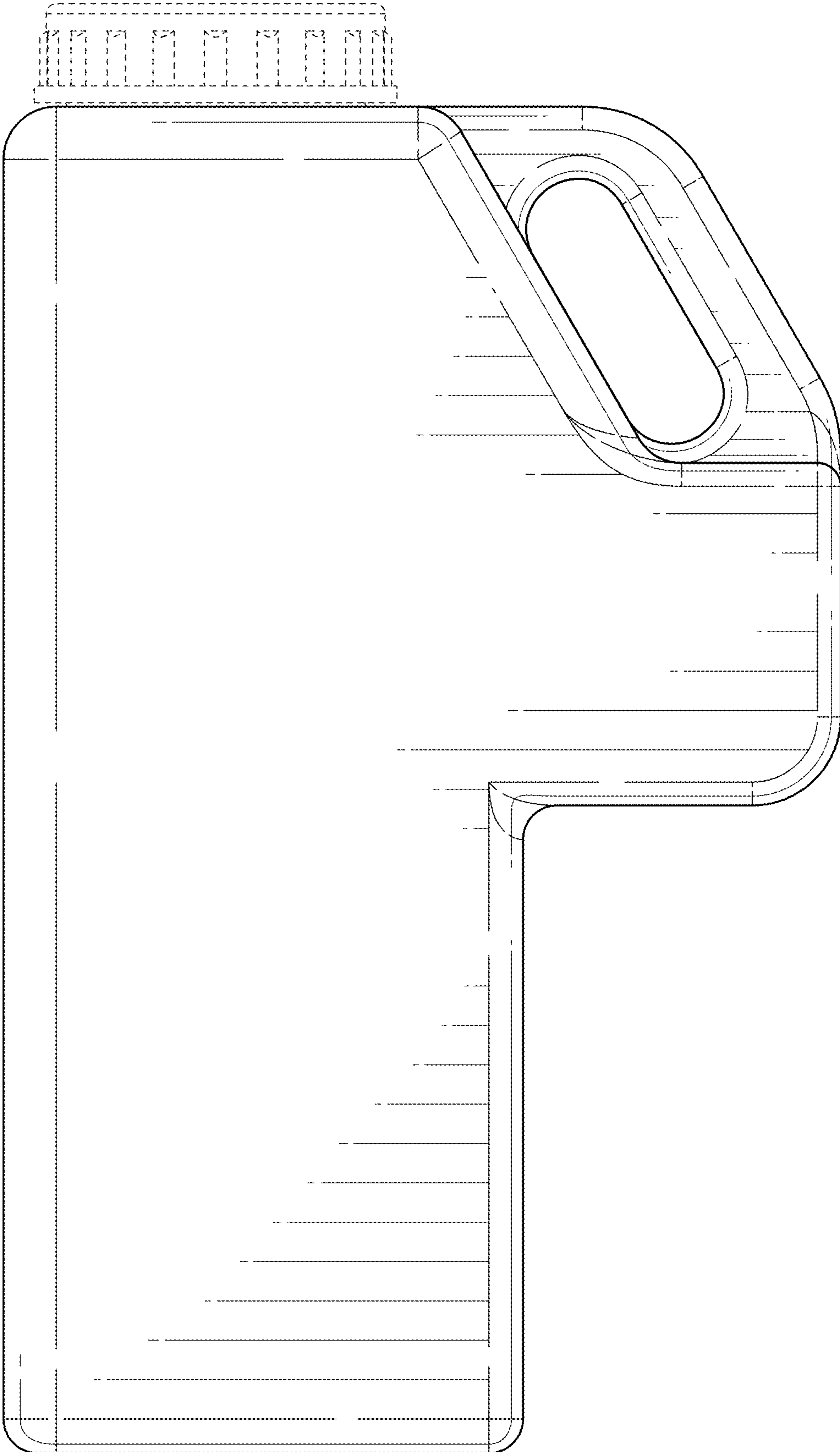


FIG. 4

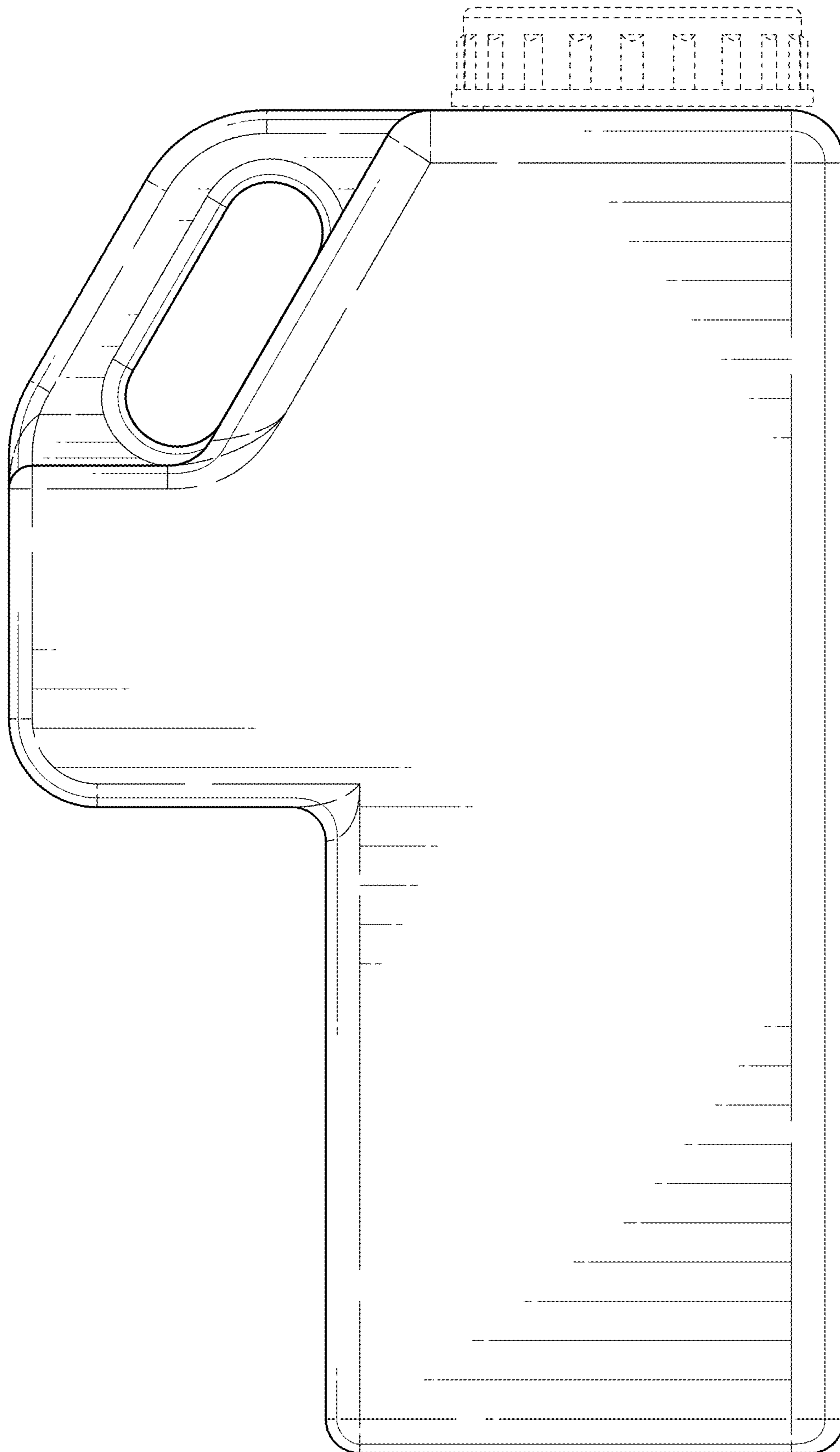


FIG. 5

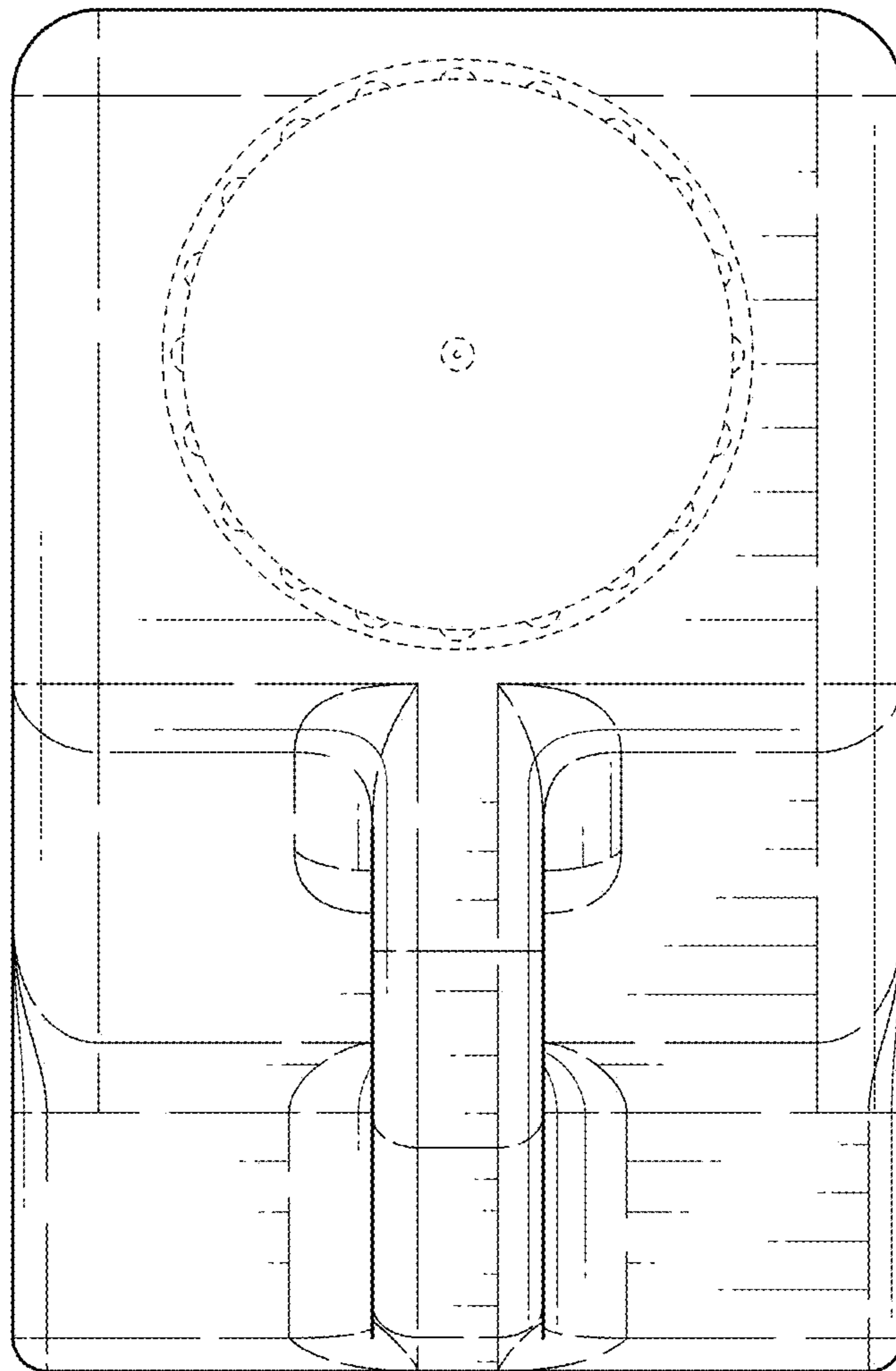


FIG. 6



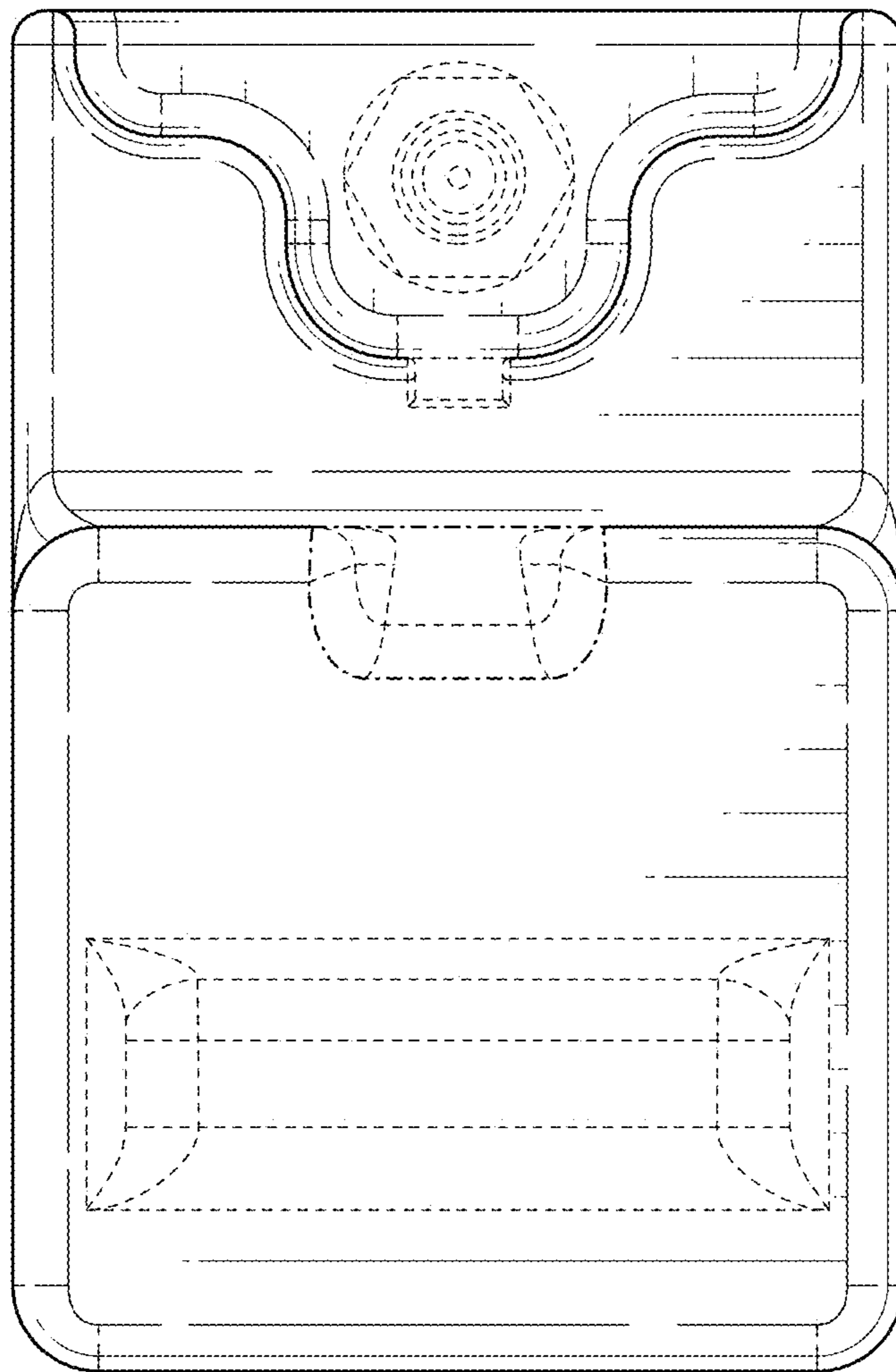


FIG. 7

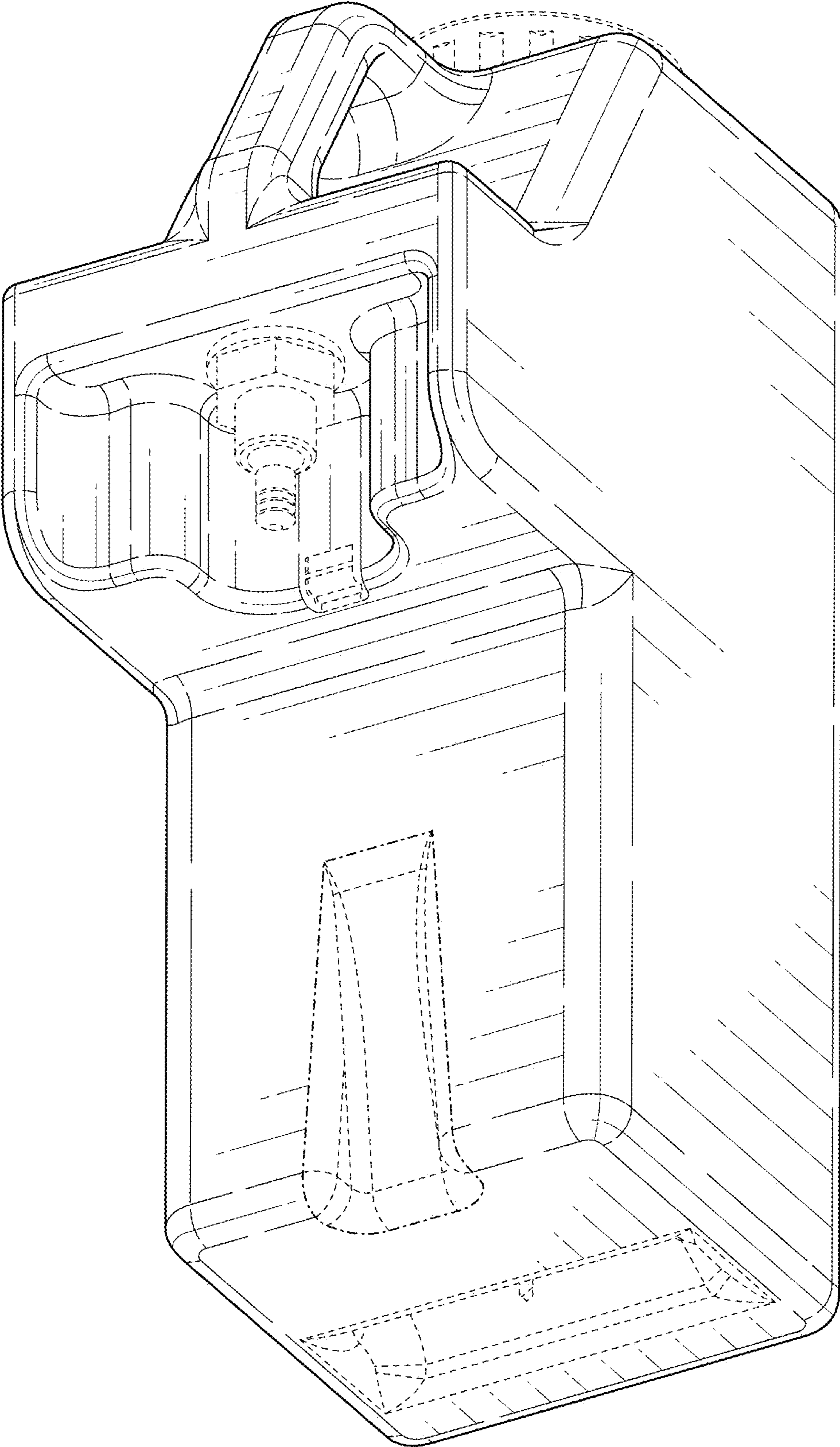


FIG. 8