

US00D896366S

(12) **United States Design Patent** (10) **Patent No.:** **US D896,366 S**  
**Yuan et al.** (45) **Date of Patent:** **\*\* Sep. 15, 2020**

(54) **ORAL IRRIGATOR**  
(71) Applicant: **XIAMEN JIEBOYA TECHNOLOGY CO, LTD.**, Fujian (CN)  
(72) Inventors: **Mu Yuan**, Fujian (CN); **Zhenlin Jiang**, Fujian (CN)  
(73) Assignee: **XIAMEN JIEBOYA TECHNOLOGY CO, LTD.**, Fujian (CN)

D888,935 S \* 6/2020 Fang ..... D24/111  
D888,936 S \* 6/2020 Bondurant ..... D24/111  
2004/0209222 A1\* 10/2004 Snyder ..... A61C 17/0202  
433/80  
2008/0008979 A1\* 1/2008 Thomas ..... A61C 17/0205  
433/80  
2016/0151133 A1\* 6/2016 Luetngen ..... F04B 19/22  
433/80

(Continued)

(\*\*) Term: **15 Years**  
(21) Appl. No.: **29/691,550**

CN 305058101 3/2019  
CN 305576689 \* 1/2020  
EM 006448098-0001 \* 7/2019

FOREIGN PATENT DOCUMENTS

(22) Filed: **May 16, 2019**  
(51) **LOC (12) Cl.** ..... **24-02**  
(52) **U.S. Cl.**  
USPC ..... **D24/111**  
(58) **Field of Classification Search**  
USPC ..... D24/108, 111-115, 117, 152, 176;  
D4/100, 101, 102, 104, 109  
CPC ..... A61C 17/20; A61C 17/00; A61C 17/005;  
A61C 17/02; A61C 17/0202; A61C  
17/0205; A61C 17/0211; A61C 17/36;  
A61C 17/028; A61C 17/22; A61C  
17/222; A61C 17/225; A61C 17/28  
See application file for complete search history.

OTHER PUBLICATIONS

Jierui USB Charging Water Flosser. Jieboya.com. Date accessed:  
May 4, 2020. Retrieved from Internet: [www.jieboya.com/en/pd.jsp?id=2](http://www.jieboya.com/en/pd.jsp?id=2) (Year: 2020).\*

*Primary Examiner* — Lilyana Bekic  
(74) *Attorney, Agent, or Firm* — JCIP Global Inc.

(56) **References Cited**

U.S. PATENT DOCUMENTS

D486,573 S \* 2/2004 Callaghan ..... D24/111  
D548,334 S \* 8/2007 Izumi ..... D24/111  
D694,398 S \* 11/2013 Taylor ..... D24/108  
D747,464 S \* 1/2016 Taylor ..... A61C 17/0202  
D24/111  
D780,908 S \* 3/2017 Ladwig ..... D24/111  
D804,016 S \* 11/2017 Ladwig ..... D24/111  
D806,228 S \* 12/2017 Yan ..... D24/111  
D806,229 S \* 12/2017 Uchida ..... D24/111  
D815,274 S \* 4/2018 Ladwig ..... D24/111  
D819,196 S \* 5/2018 Kim ..... D24/111  
D881,383 S \* 4/2020 Chen ..... D24/111

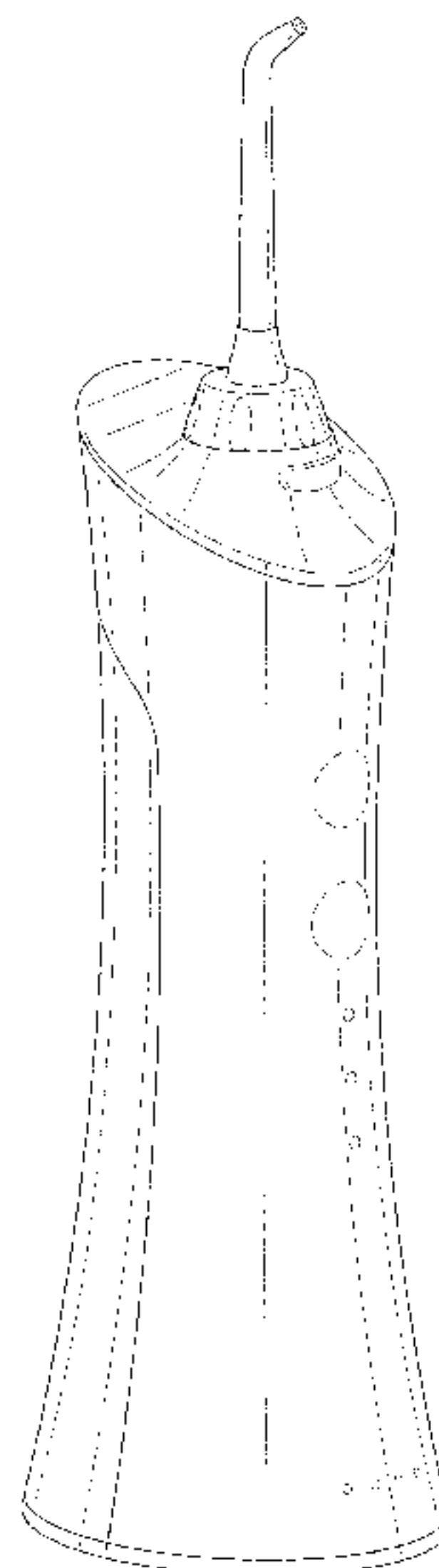
(57) **CLAIM**

The ornamental design for an oral irrigator, as shown and described.

**DESCRIPTION**

FIG. 1 is a perspective view of the oral irrigator showing our new design;  
FIG. 2 is a front view thereof;  
FIG. 3 is a rear view thereof;  
FIG. 4 is a left view thereof;  
FIG. 5 is a right view thereof;  
FIG. 6 is a top view thereof;  
FIG. 7 is a bottom view thereof; and,  
FIG. 8 is an enlarged view of portion 8 of FIG. 4.  
The broken lines shown in the views depict portions of the oral irrigator that form no part of the claimed design.

**1 Claim, 7 Drawing Sheets**



(56)

**References Cited**

U.S. PATENT DOCUMENTS

2017/0318951 A1\* 11/2017 Taghvaei ..... A46B 13/02  
2019/0201175 A1\* 7/2019 Li ..... A61C 17/0202  
2020/0214814 A1\* 7/2020 Yuan ..... A61C 1/0015

\* cited by examiner

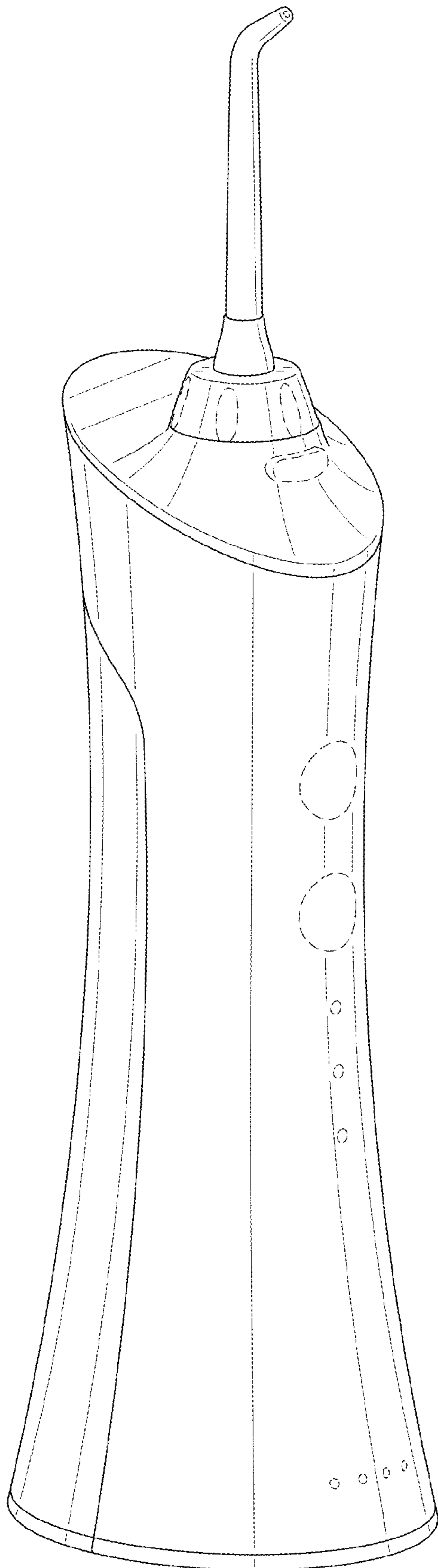


FIG. 1

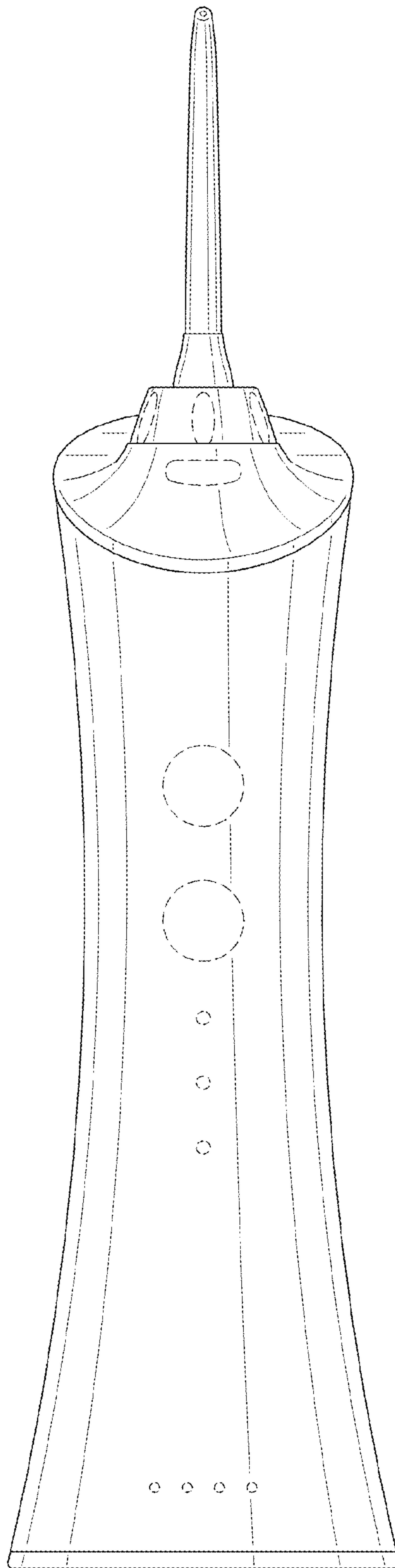


FIG. 2

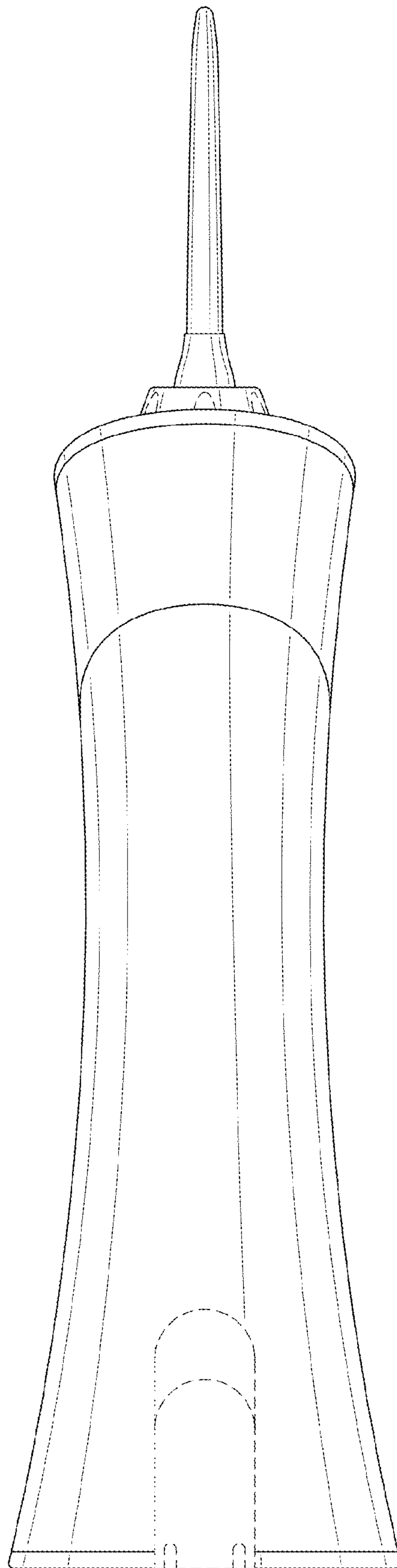


FIG. 3

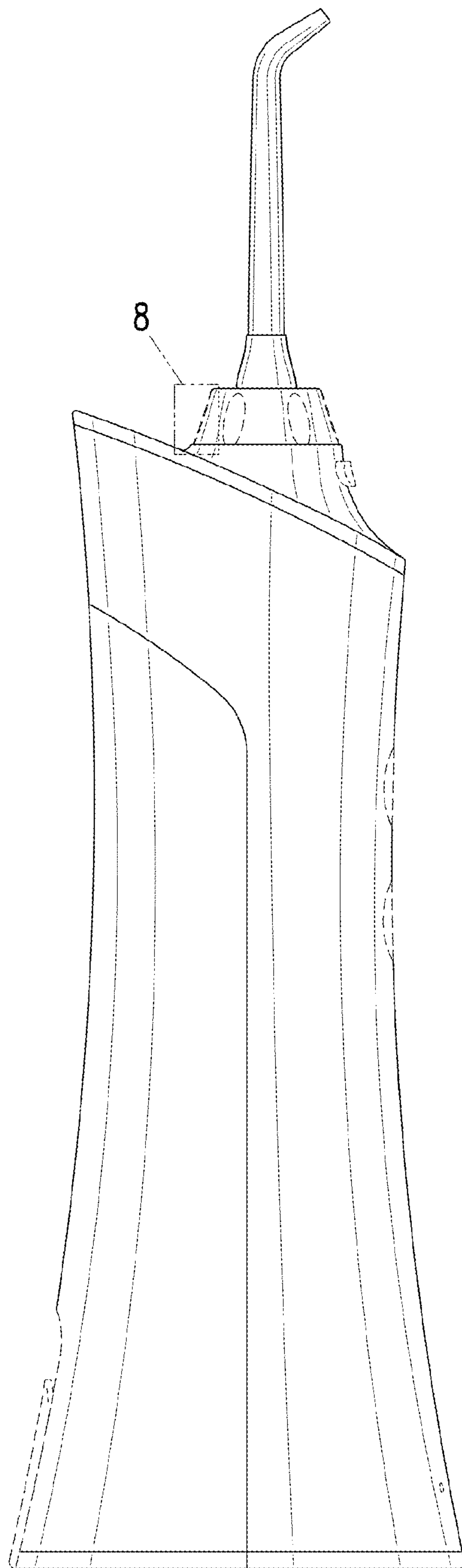


FIG. 4

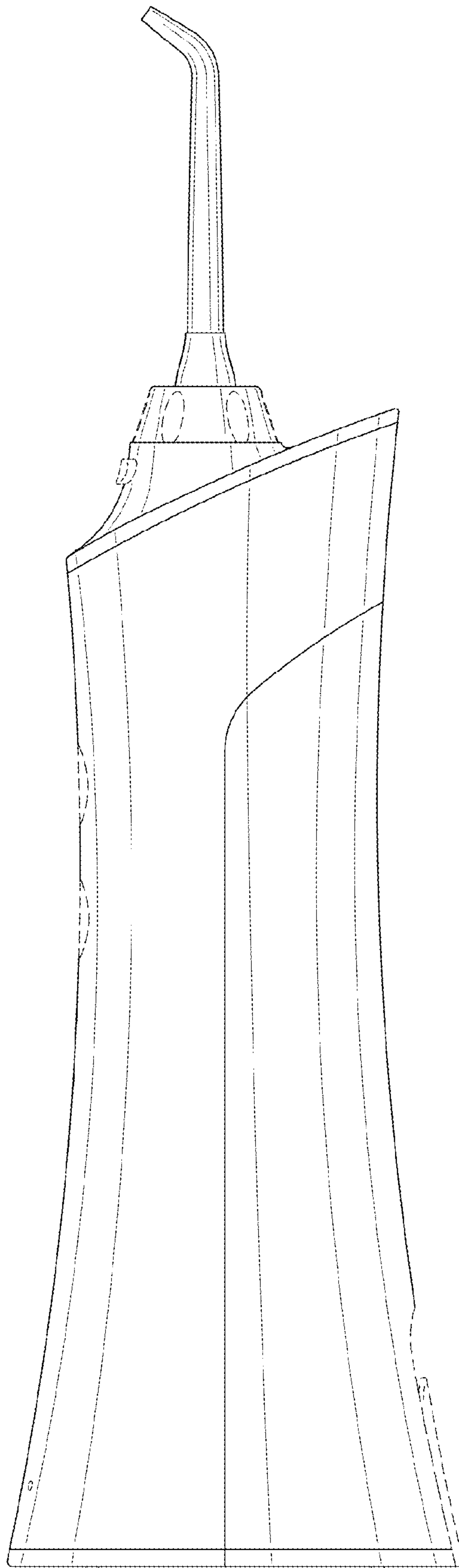


FIG. 5

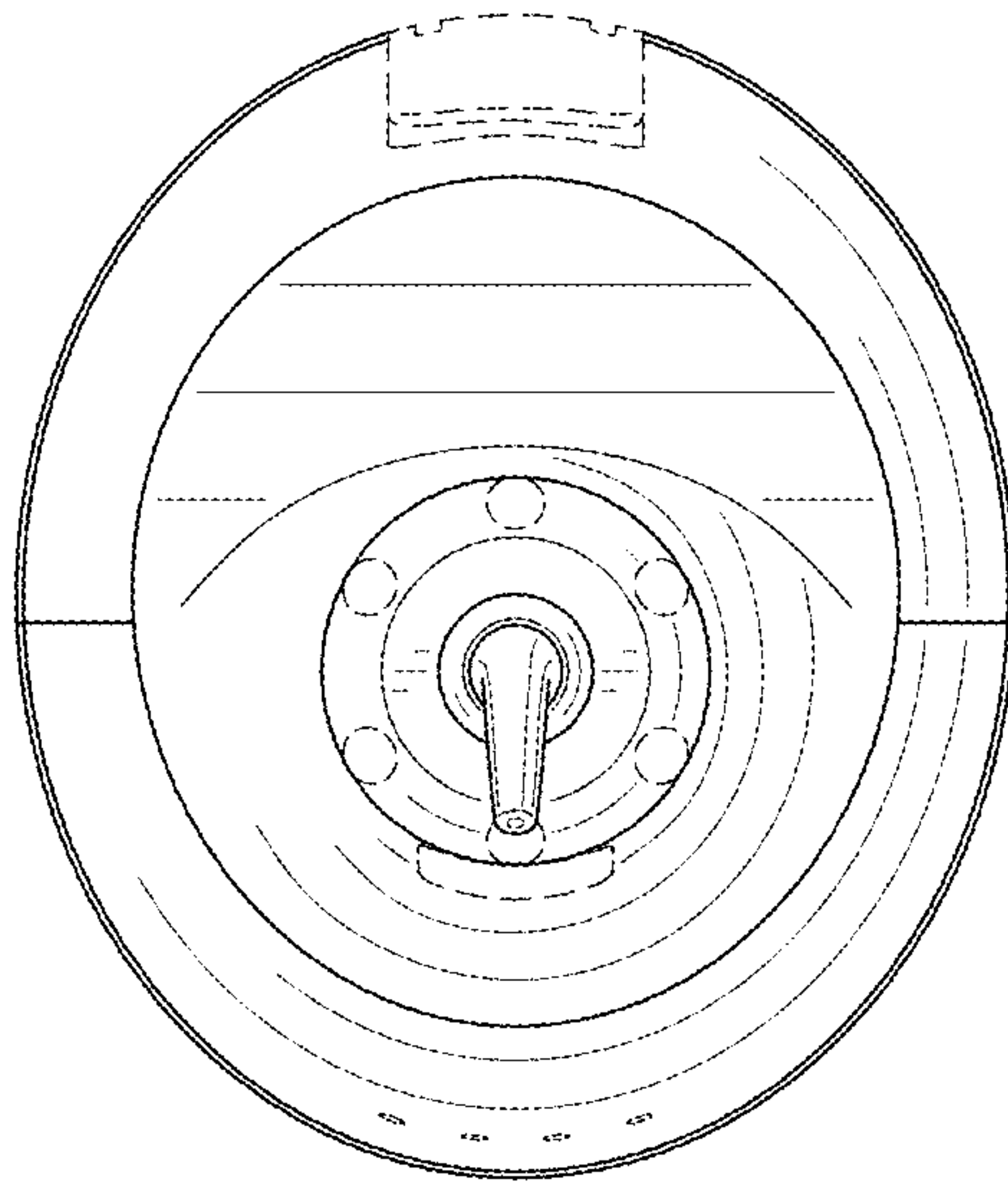


FIG. 6

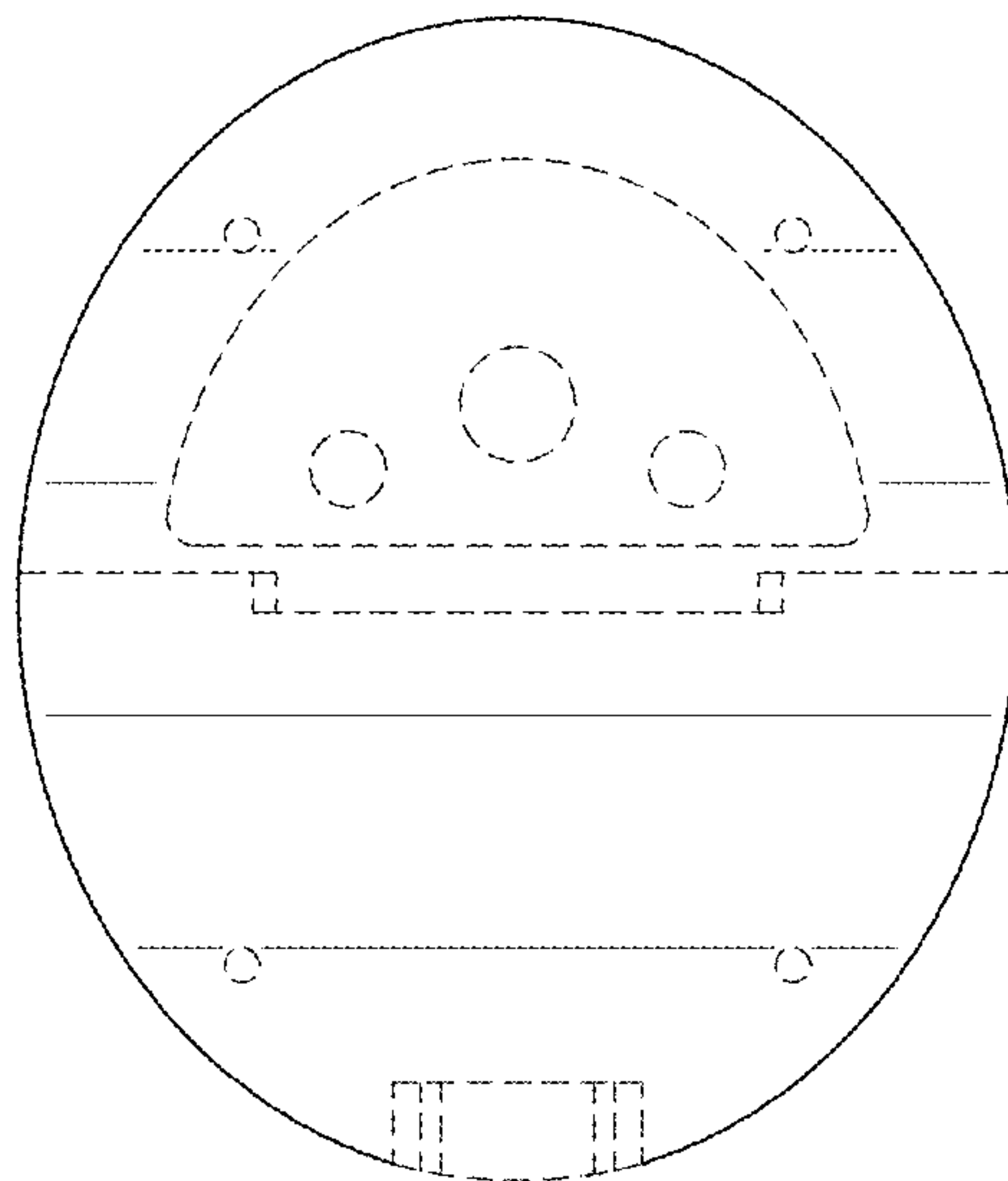


FIG. 7



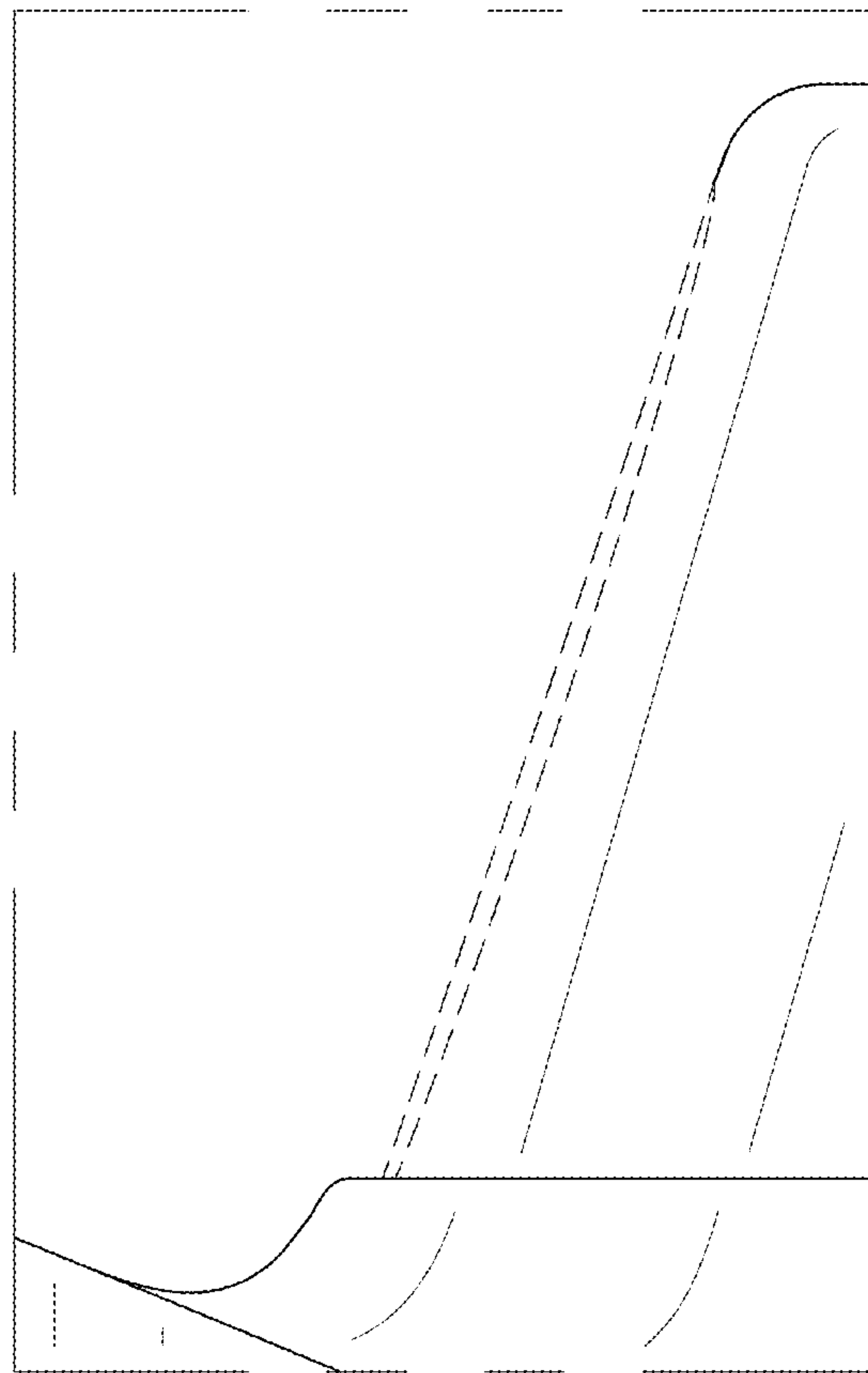


FIG. 8