



US00D896365S

(12) **United States Design Patent** (10) **Patent No.:** **US D896,365 S**
Sipe (45) **Date of Patent:** **** Sep. 15, 2020**

(54) **MEDICAL PORT DISC**
(71) Applicant: **Mark Sipe**, Phoenix, AZ (US)
(72) Inventor: **Mark Sipe**, Phoenix, AZ (US)
(**) Term: **15 Years**
(21) Appl. No.: **29/695,979**
(22) Filed: **Jun. 24, 2019**
(51) **LOC (12) Cl.** **24-01**
(52) **U.S. Cl.**
USPC **D24/108**
(58) **Field of Classification Search**
USPC D24/108, 111, 117, 129, 155, 216, 224;
600/431; D13/167; 604/9, 19, 23, 48,
604/93.01, 131-133, 141, 151, 173-175,
604/185, 288.01-288.04, 890.1, 891.1
CPC A61M 39/0208; A61M 2039/0072; A61M
2039/0229; A61M 2039/0241; A61M
2205/32; A61M 5/32; Y10S 128/12;
A61K 9/22
See application file for complete search history.

7,520,868 B2 * 4/2009 Lee A61M 5/14244
604/131
D613,394 S * 4/2010 Linden D24/108
D730,183 S * 5/2015 Fahl D24/155
D796,355 S * 9/2017 Cho D10/70
D810,952 S * 2/2018 Hsu D24/200
D816,836 S * 5/2018 Mueller D24/133
D817,760 S * 5/2018 Petrosino D9/452
D829,896 S * 10/2018 Py D24/129
D833,023 S * 11/2018 Maletic D24/186
D847,338 S * 4/2019 Arabin D24/155
2002/0055728 A1 * 5/2002 Finch A61M 39/0208
604/502
2002/0173772 A1 * 11/2002 Olsen A61M 5/14276
604/891.1

(Continued)

Primary Examiner — Nathan M Johnston
(74) *Attorney, Agent, or Firm* — Bycer Law, PLC;
Matthew L. Bycer

(57) **CLAIM**

I claim the ornamental design for medical port disc, as shown and described.

DESCRIPTION

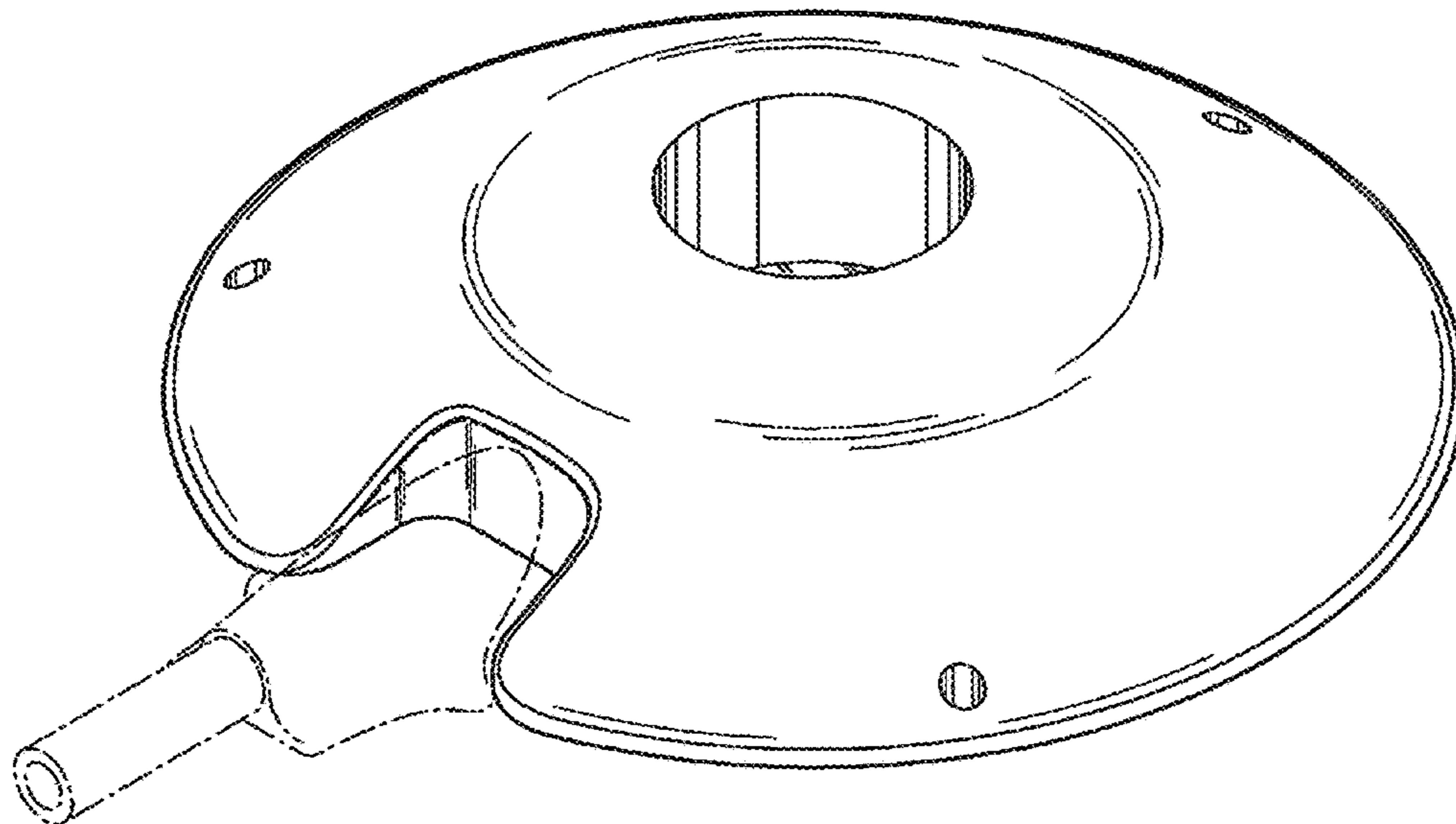
FIG. 1 illustrates a top forward perspective view of the present invention.
FIG. 2 illustrates a bottom rear perspective view of the present invention.
FIG. 3 illustrates a rear view of the present invention.
FIG. 4 illustrates a frontal view of the present invention.
FIG. 5 illustrates a side view of the present invention.
FIG. 6 illustrates a top view of the present invention; and, FIG. 7 illustrates a bottom view of the present invention.
The drawings set forth a unique design for a medical port disc.
The broken lines shown in the drawings represent portions of the medical port disc and attachments that form no part of the claimed design.

1 Claim, 6 Drawing Sheets

(56) **References Cited**

U.S. PATENT DOCUMENTS

4,655,765 A * 4/1987 Swift A61M 5/14276
604/140
D296,714 S * 7/1988 Averill D24/155
5,643,207 A * 7/1997 Rise A61M 5/14276
604/246
6,358,239 B1 * 3/2002 Rake A61M 5/148
128/DIG. 12
6,485,462 B1 * 11/2002 Kriesel A61M 5/14276
604/132
6,537,268 B1 * 3/2003 Gibson A61M 5/14276
604/891.1
6,682,498 B2 * 1/2004 Ross A61M 1/3653
604/264
7,494,481 B2 * 2/2009 Moberg A61M 5/158
604/164.01



(56)

References Cited

U.S. PATENT DOCUMENTS

2004/0002693 A1* 1/2004 Bright F16L 47/12
604/533
2005/0234494 A1* 10/2005 Conway A61B 5/15182
606/181
2009/0187149 A1* 7/2009 Nelson A61M 39/0247
604/175
2010/0288284 A1* 11/2010 Persson A61M 16/0468
128/207.14
2012/0078167 A1* 3/2012 Baker A61M 25/1011
604/29
2020/0015996 A1* 1/2020 Schertiger A61F 5/4404

* cited by examiner

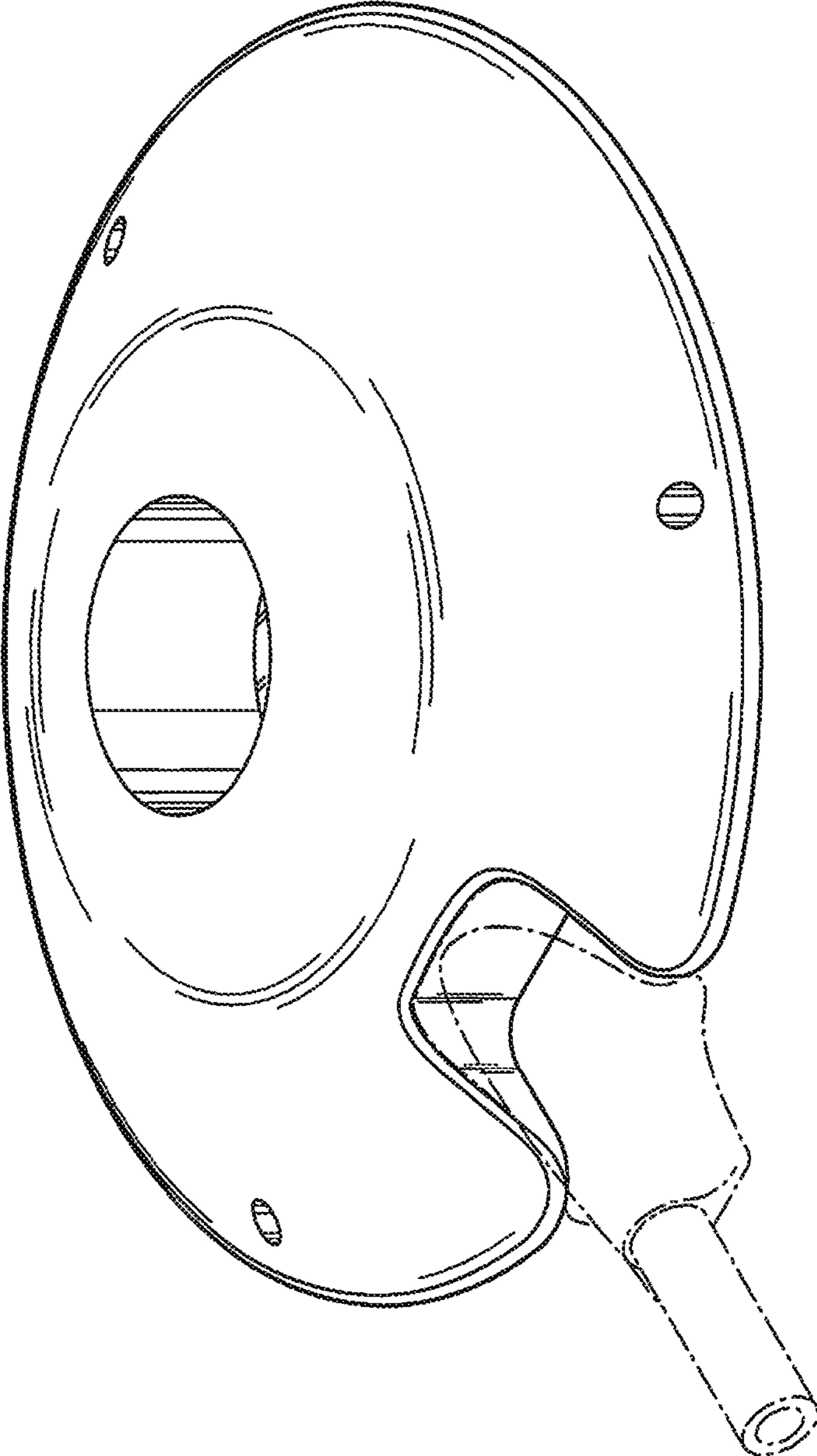


FIG. 1

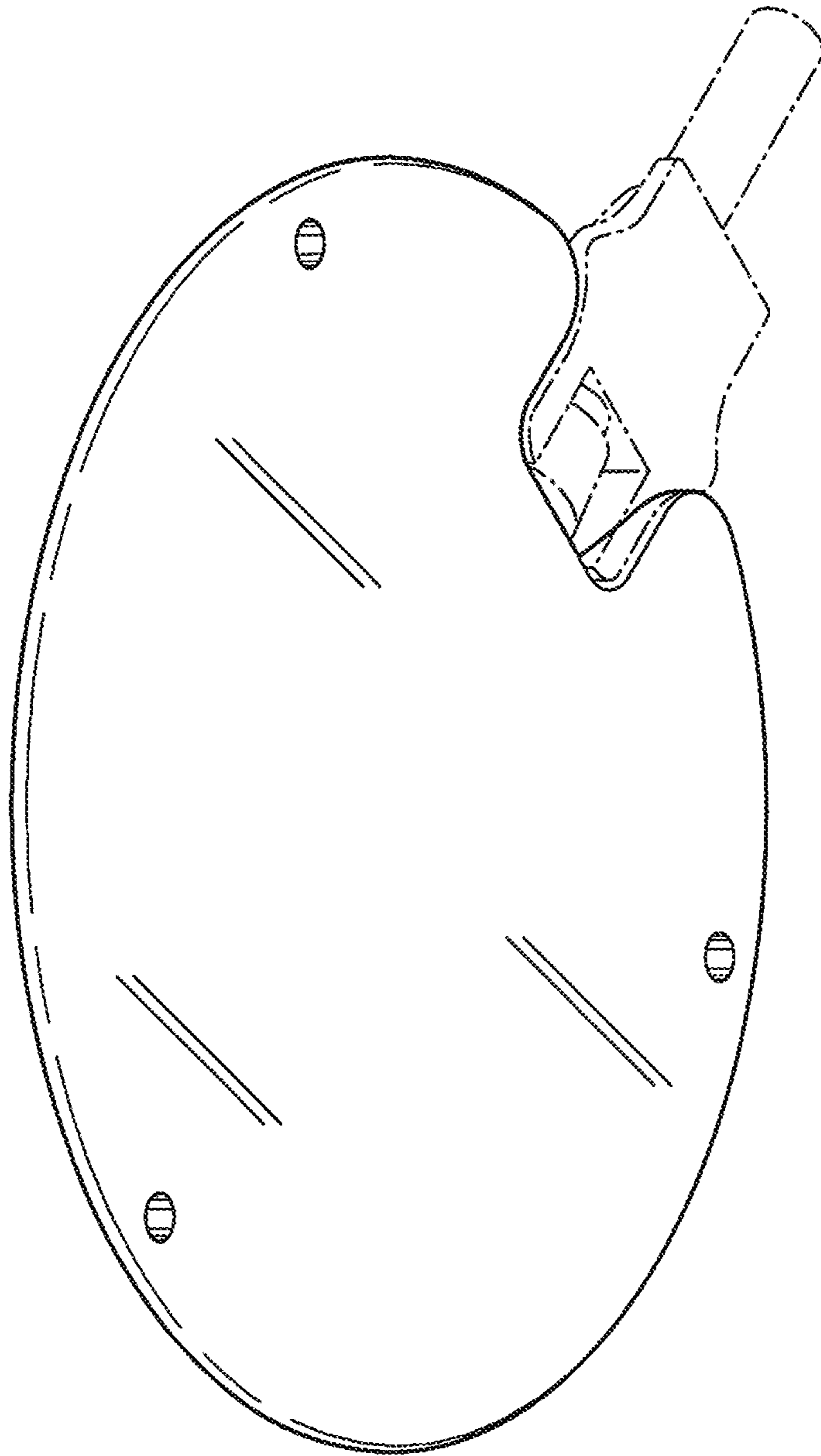


FIG. 2

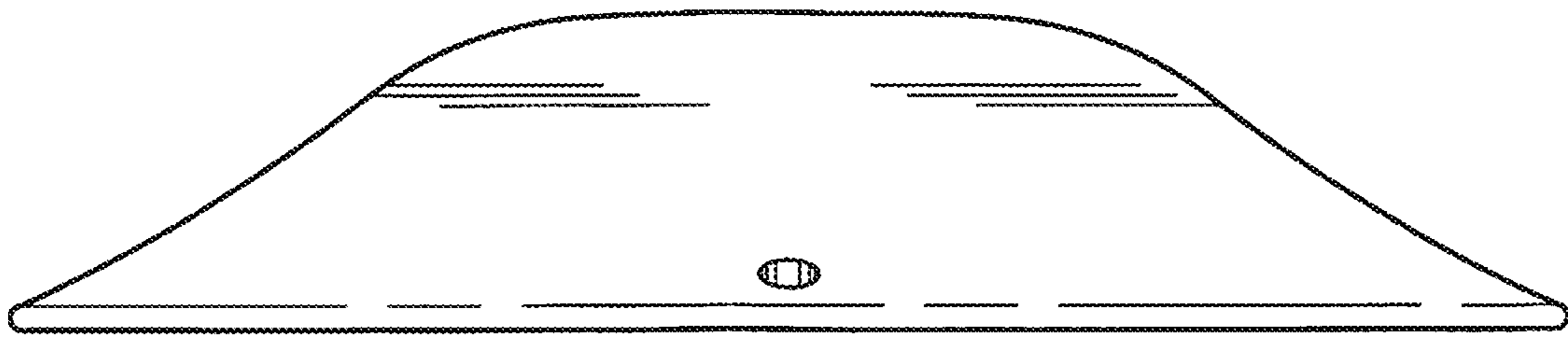


FIG. 3

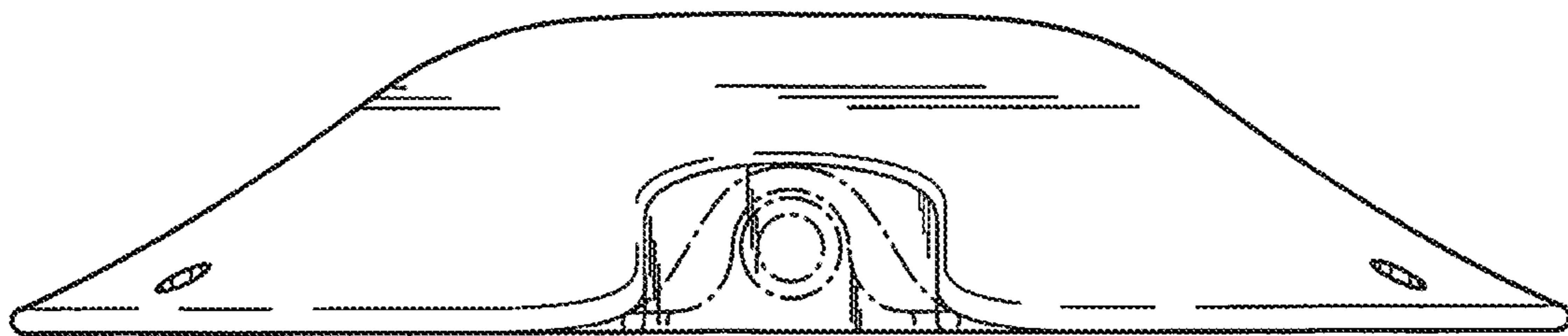


FIG. 4

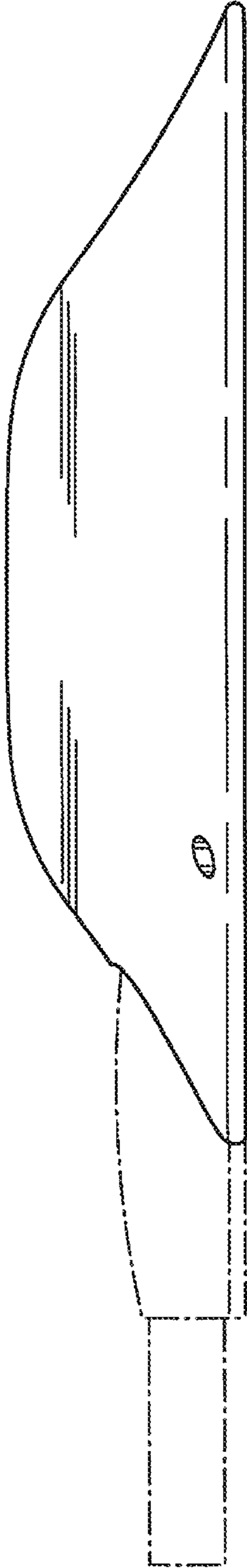


FIG. 5

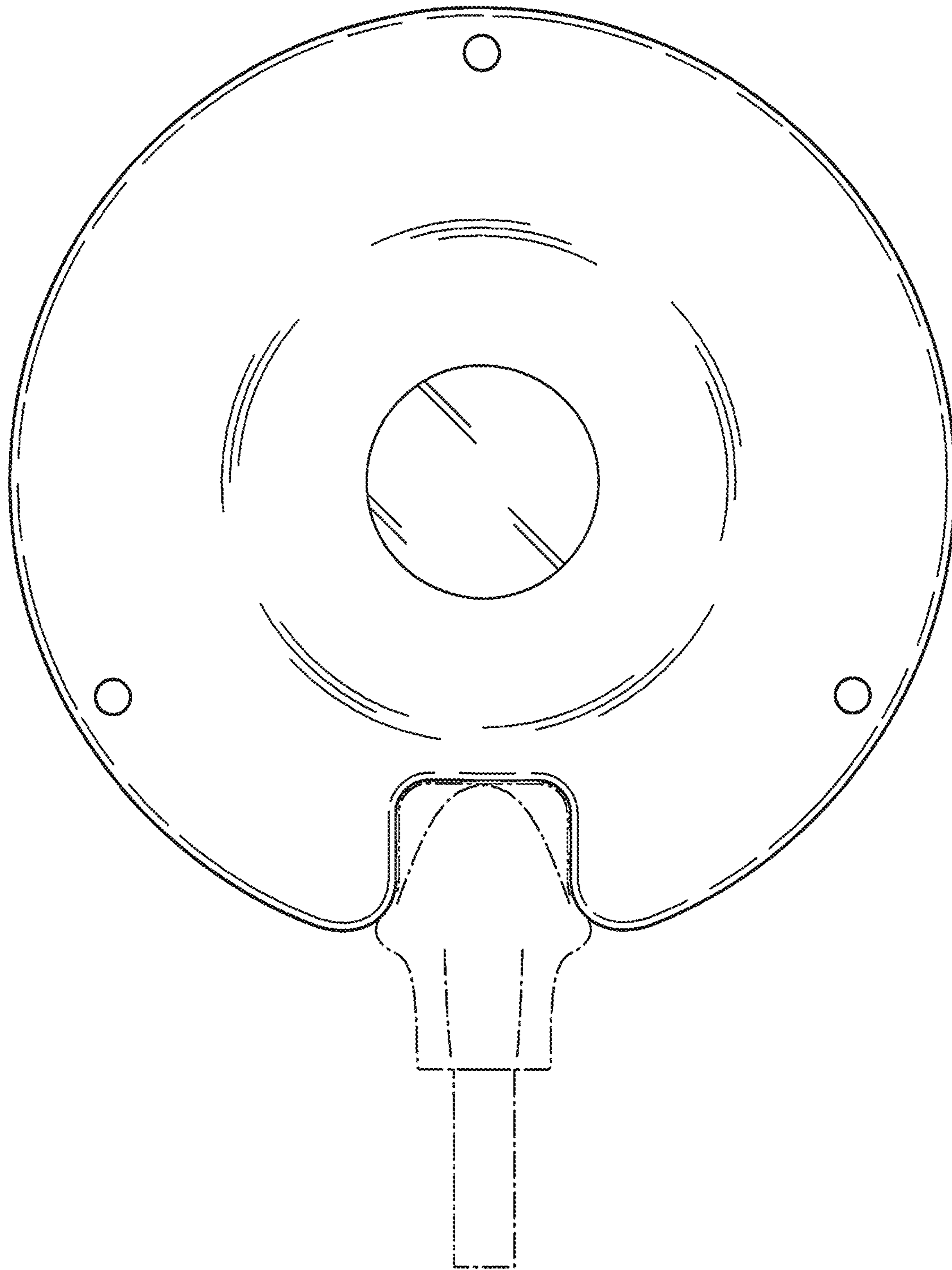


FIG. 6

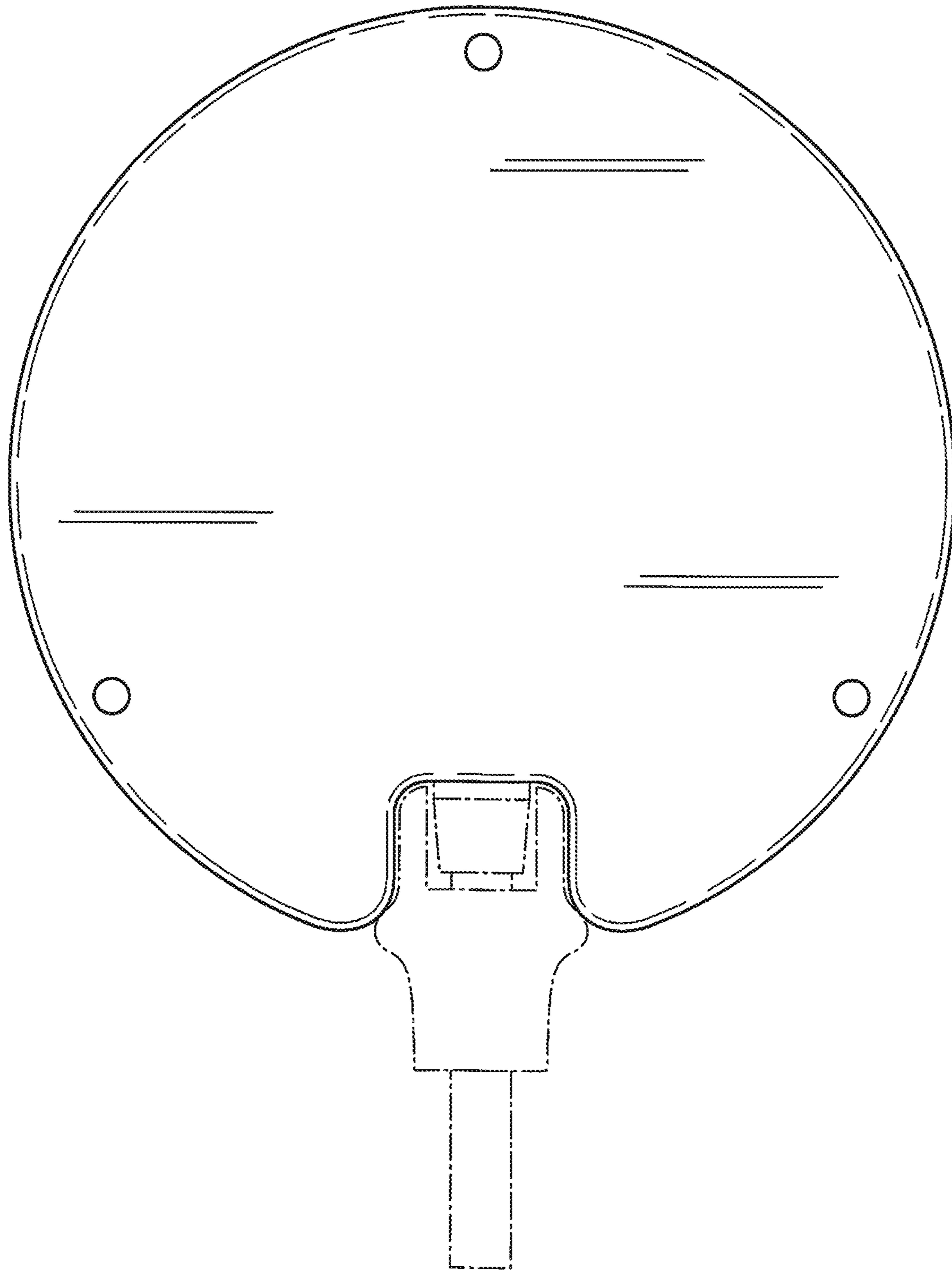


FIG. 7