

US00D896362S

(12) **United States Design Patent** (10) **Patent No.:** **US D896,362 S**  
**Riley** (45) **Date of Patent:** **\*\* \*Sep. 15, 2020**

- (54) **AIR FRESHENER HOLDER WITH OPEN BACK**
- (71) Applicant: **PRODIGAL ENTERPRISES, INC.**,  
Pembroke Pines, FL (US)
- (72) Inventor: **Michele M. Riley**, Pembroke Pines, FL  
(US)
- (73) Assignee: **Prodigal Enterprises, Inc.**, Pembroke  
Pines, FL (US)
- (\*) Notice: This patent is subject to a terminal dis-  
claimer.
- (\*\*) Term: **15 Years**
- (21) Appl. No.: **29/617,817**
- (22) Filed: **Sep. 15, 2017**

4,993,177 A	2/1991	Hudson	
5,304,358 A	4/1994	Hoyt et al.	
D366,107 S	1/1996	Shaffer	
D371,243 S *	7/1996	Diaz	D6/300
D382,050 S	8/1997	Hayes	
5,735,460 A	4/1998	Eisenbraun	
D407,809 S *	4/1999	Hammond	D23/366
D476,726 S	7/2003	Rosenberg	
D479,742 S	9/2003	Hollingsworth	
D481,113 S *	10/2003	Groene	D23/366
D481,785 S *	11/2003	Koike	D23/355
D568,456 S	5/2008	Hollingsworth	
D597,644 S *	8/2009	Wu	D23/366
D605,274 S *	12/2009	Kawano	D23/365
D610,813 S	3/2010	Bennett	
D613,338 S *	4/2010	Marukos	D20/10
D624,598 S *	9/2010	Chida	D20/43
D648,017 S	11/2011	Ruegg	
D650,057 S	12/2011	Riley	
D650,058 S	12/2011	Riley	
D660,913 S *	5/2012	Podd	D20/42
D716,928 S *	11/2014	Falduto	D23/366

(Continued)

**Related U.S. Application Data**

- (63) Continuation-in-part of application No. 29/537,181,  
filed on Aug. 24, 2015, now Pat. No. Des. 803,370.
- (51) **LOC (12) Cl.** ..... **28-99**
- (52) **U.S. Cl.**  
USPC ..... **D23/366**
- (58) **Field of Classification Search**  
USPC ..... D23/314, 325, 333-336, 355-369,  
D23/386-388; D6/314; D14/209, 215,  
D14/216; D9/522, 549, 566; D20/43  
CPC . A61L 9/03; A61L 9/012; A61L 9/015; A61L  
9/037; F41J 1/01  
See application file for complete search history.

**References Cited**

**U.S. PATENT DOCUMENTS**

D209,035 S *	10/1967	Robert	D3/227
D255,198 S *	6/1980	Mersch	D6/314
D298,489 S *	11/1988	Sornborger	D6/300

*Primary Examiner* — Lakiya G Rogers

*Assistant Examiner* — John A Voytek

(74) *Attorney, Agent, or Firm* — Laurence A. Greenberg;  
Werner H. Stemer; Ralph E. Locher

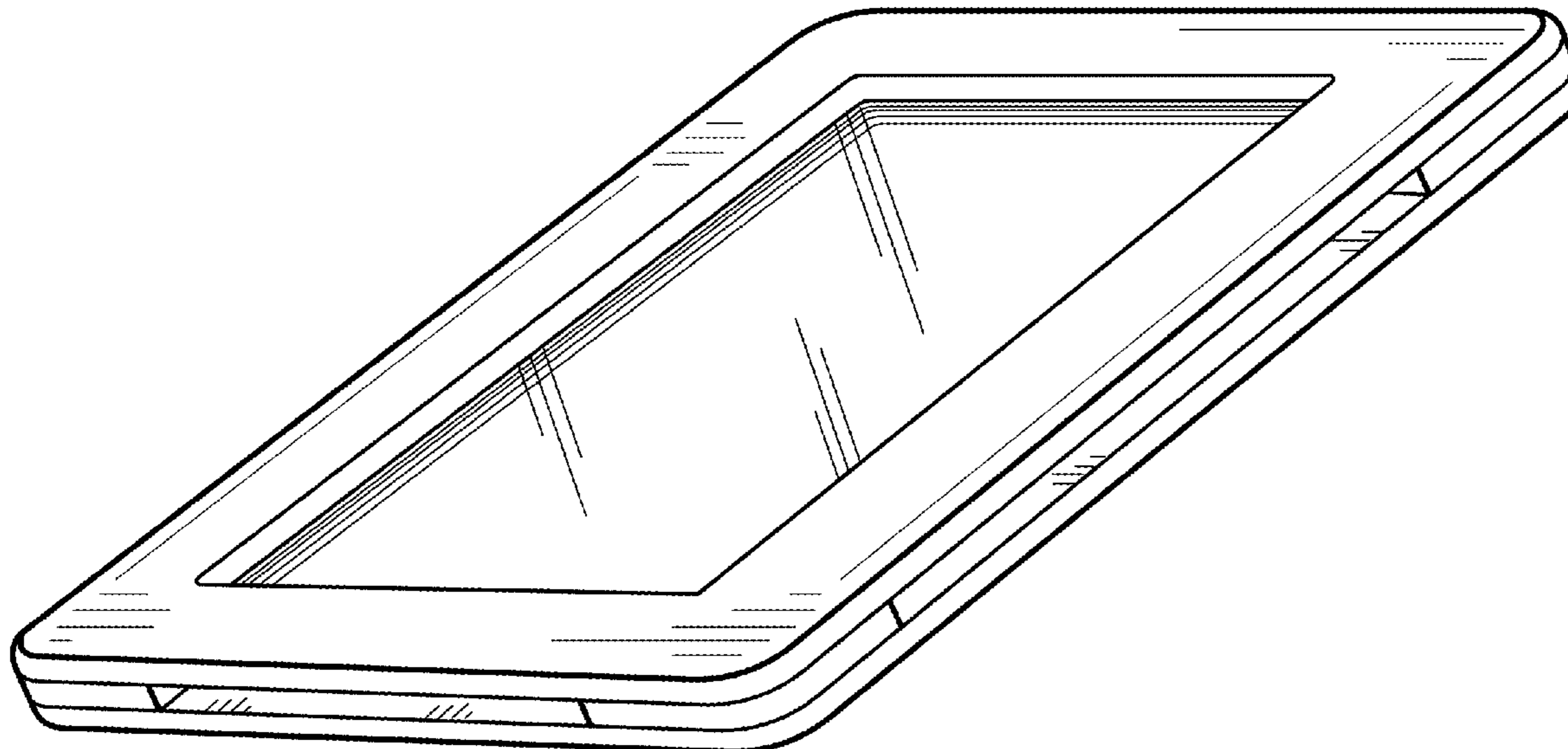
(57) **CLAIM**

The ornamental design for an air freshener holder with open back, as shown and described.

**DESCRIPTION**

FIG. 1 is a rear elevation view of the air freshener holder with open back, showing my new design;  
FIG. 2 is a left side elevation view thereof;  
FIG. 3 is a right side elevation view thereof;  
FIG. 4 is a front elevation view thereof;  
FIG. 5 is a top view thereof;  
FIG. 6 is a bottom view thereof; and,  
FIG. 7 is a rear perspective view thereof.

**1 Claim, 3 Drawing Sheets**



(56)

**References Cited**

U.S. PATENT DOCUMENTS

D733,278 S	*	6/2015	Newlin .....	D23/366
D751,650 S	*	3/2016	Landwehr .....	D20/43
D753,103 S	*	4/2016	Yokoyama .....	D14/341
D774,031 S	*	12/2016	Otani .....	D14/341
D778,366 S	*	2/2017	Kott .....	D20/43
D803,370 S	*	11/2017	Riley .....	D23/366
D803,371 S	*	11/2017	Riley .....	D23/366

\* cited by examiner

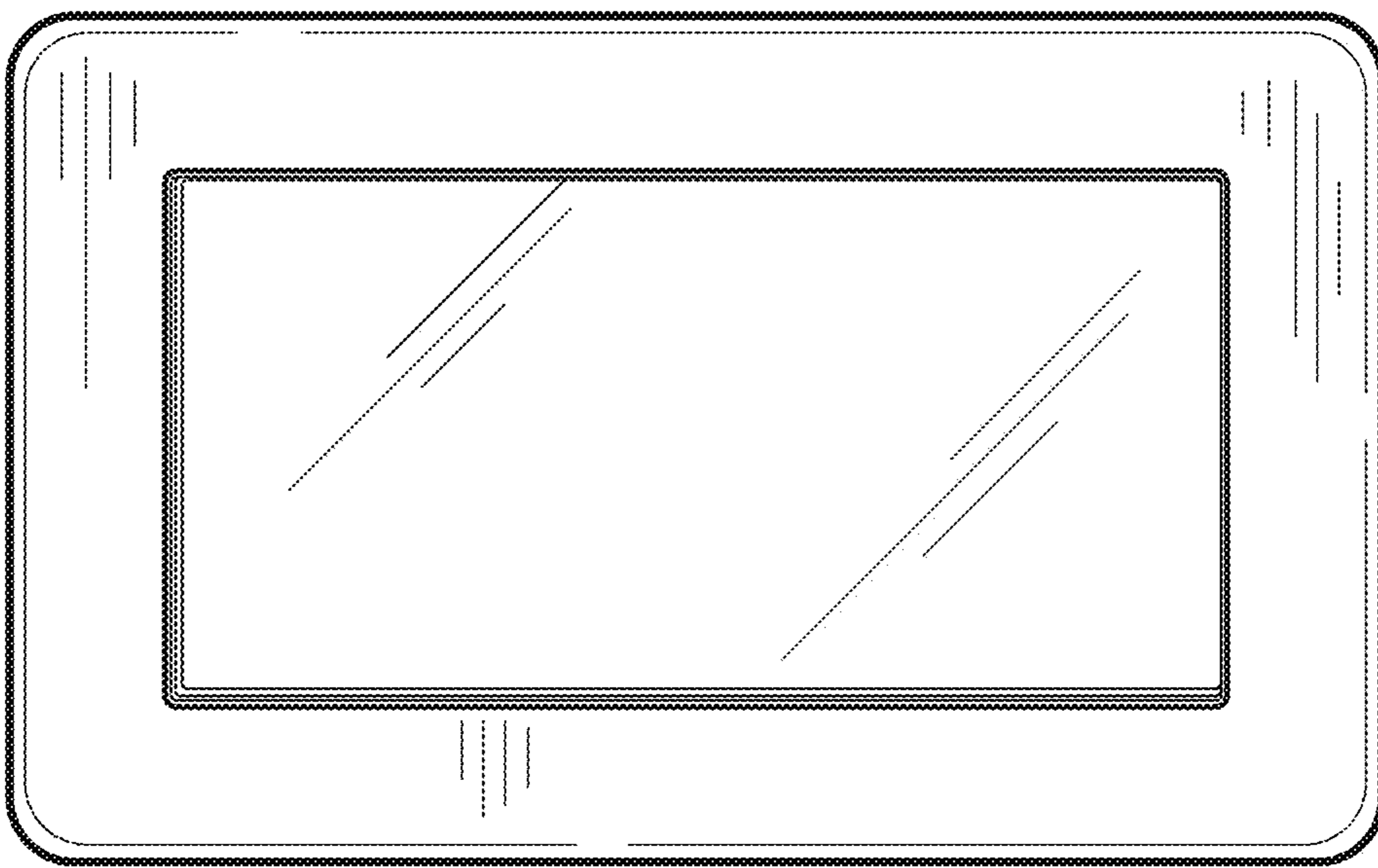


FIG. 1

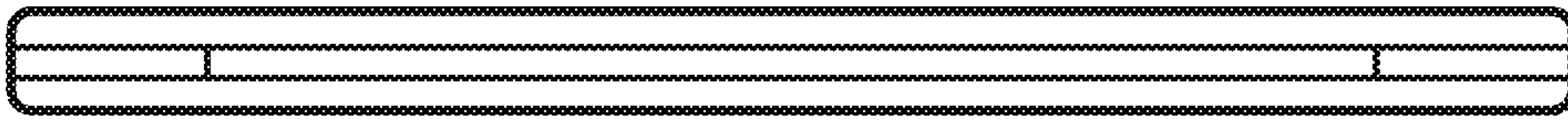


FIG. 2



FIG. 3

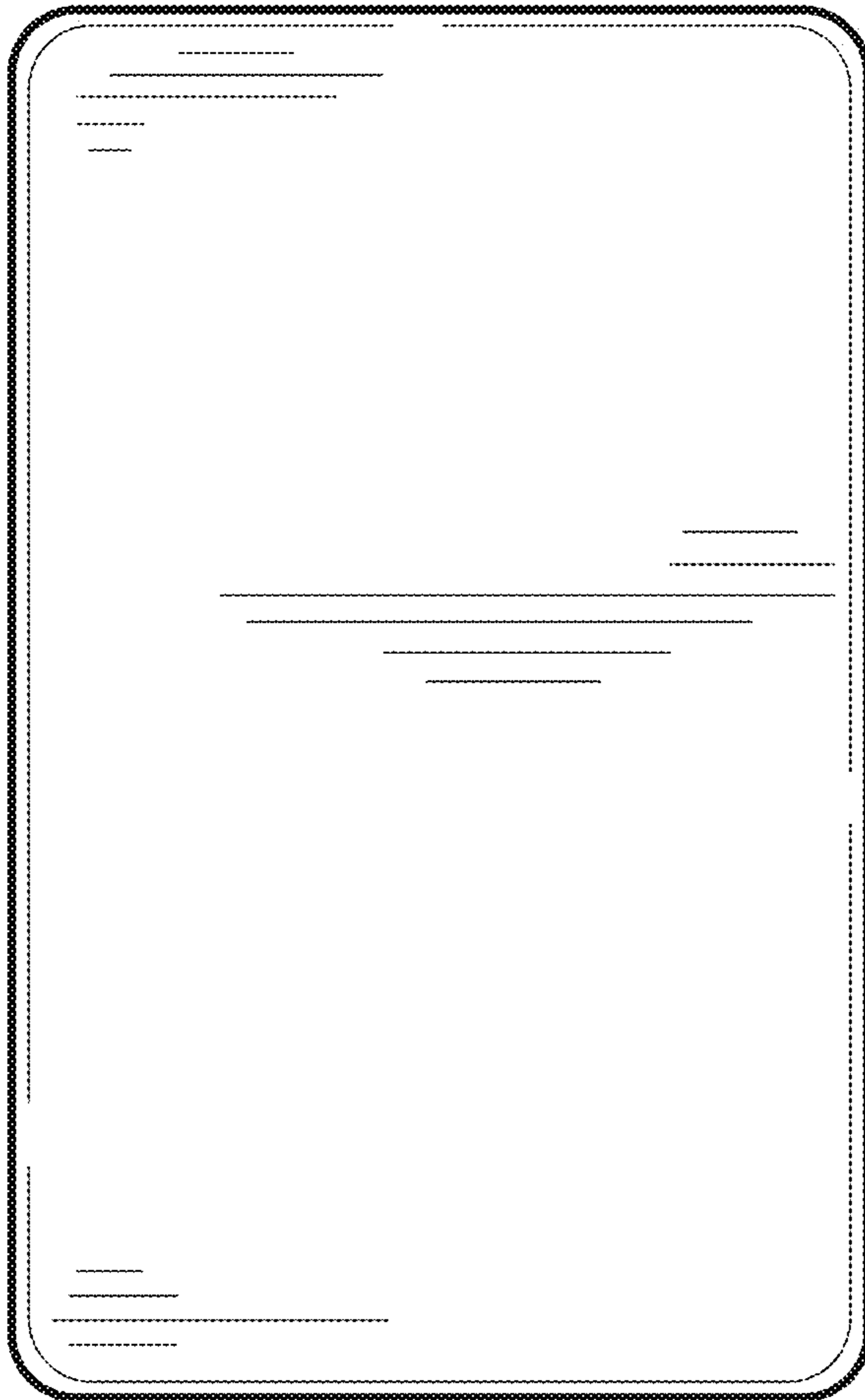


FIG. 4

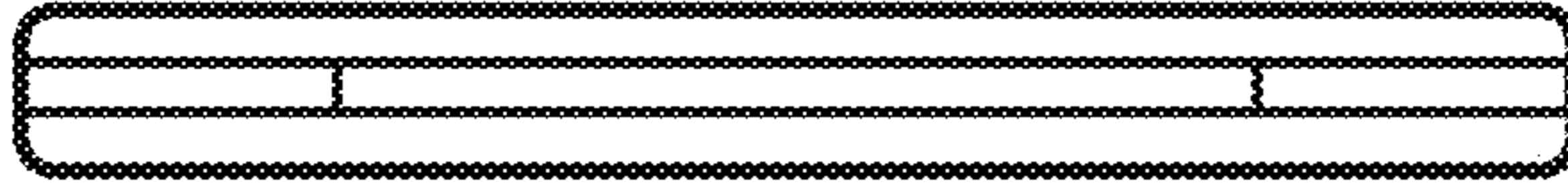


FIG. 5



FIG. 6

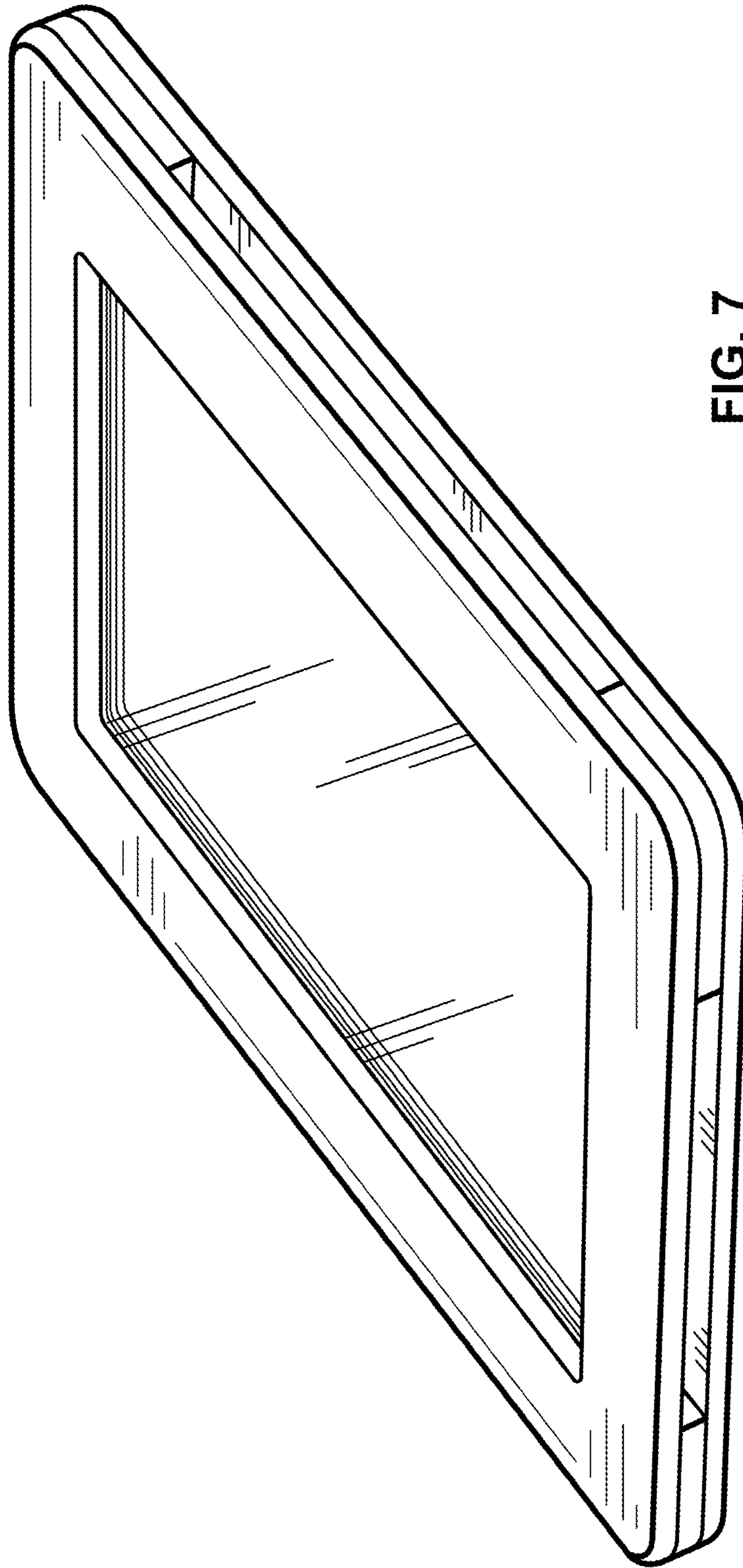


FIG. 7