

US00D896360S

(12) **United States Design Patent** (10) **Patent No.:** **US D896,360 S**
Guilliard et al. (45) **Date of Patent:** **** Sep. 15, 2020**

(54) **CONVECTOR**

(56) **References Cited**

(71) Applicant: **STEGO-Holding GmbH**, Schwäbisch Hall (DE)

U.S. PATENT DOCUMENTS

(72) Inventors: **Dietmar Guilliard**, Mainhardt-Gailsbach (DE); **Elmar Mangold**, Zoebingen (DE); **Robert Dent**, Schwaebisch Hall (DE)

3,976,854 A 8/1976 Ishikawa et al.
7,651,390 B1* 1/2010 Profeta F24F 13/06
454/284

(Continued)

(**) Term: **15 Years**

FOREIGN PATENT DOCUMENTS

(21) Appl. No.: **35/507,268**

DE 3042420 A1 6/1982
DE 202009004058 U1 6/2009

(Continued)

(22) Filed: **Feb. 14, 2019**

OTHER PUBLICATIONS

(80) **Hague Agreement Data**

English machine-generated translation of German patent DE102015120183, May 24, 2017.

(Continued)

Int. Filing Date: **Feb. 14, 2019**

Int. Reg. No.: **DM/201222**

Int. Reg. Date: **Feb. 14, 2019**

Int. Reg. Pub. Date: **Aug. 16, 2019**

Primary Examiner — Khawaja Anwar

(30) **Foreign Application Priority Data**

Aug. 20, 2018 (EM) 005615119

(51) **LOC (12) Cl.** **23-04**

(52) **U.S. Cl.**
USPC **D23/351**

(58) **Field of Classification Search**
USPC D23/333, 335, 341, 342, 351, 353, 354,
D23/355, 356, 359, 364, 365, 370, 385,
D23/386, 388, 393
CPC .. F24F 11/30; F24F 11/52; F24F 11/46; F24F
11/83; F24F 2110/10; F24F 3/14; F24F
11/0001; F24F 11/54; F24F 11/56; F24F
11/58; F24F 11/62; F24F 11/64; F24F
11/66; F24F 11/70; F24F 11/72; F24F
11/74; F24F 11/76; F24F 11/77; F24F
11/84; F24F 11/85; F24F 11/86; F24F

(Continued)

(57) **CLAIM**

The ornamental design for a convector, as shown and described.

DESCRIPTION

1.-2. Convector
FIG. 1.1 is a perspective view of a convector, showing our new design;
FIG. 1.2 is side elevation view thereof;
FIG. 1.3 is a another side elevation view thereof;
FIG. 1.4 is a bottom plan view thereof;
FIG. 1.5 is a top plan view thereof;
FIG. 1.6 is front elevation view thereof;
FIG. 1.7 is a rear elevation view thereof;
FIG. 2.1 is a perspective view of a convector, showing the second embodiment our new design;
FIG. 2.2 is side elevation view thereof;
FIG. 2.3 is a another side elevation view thereof;

(Continued)

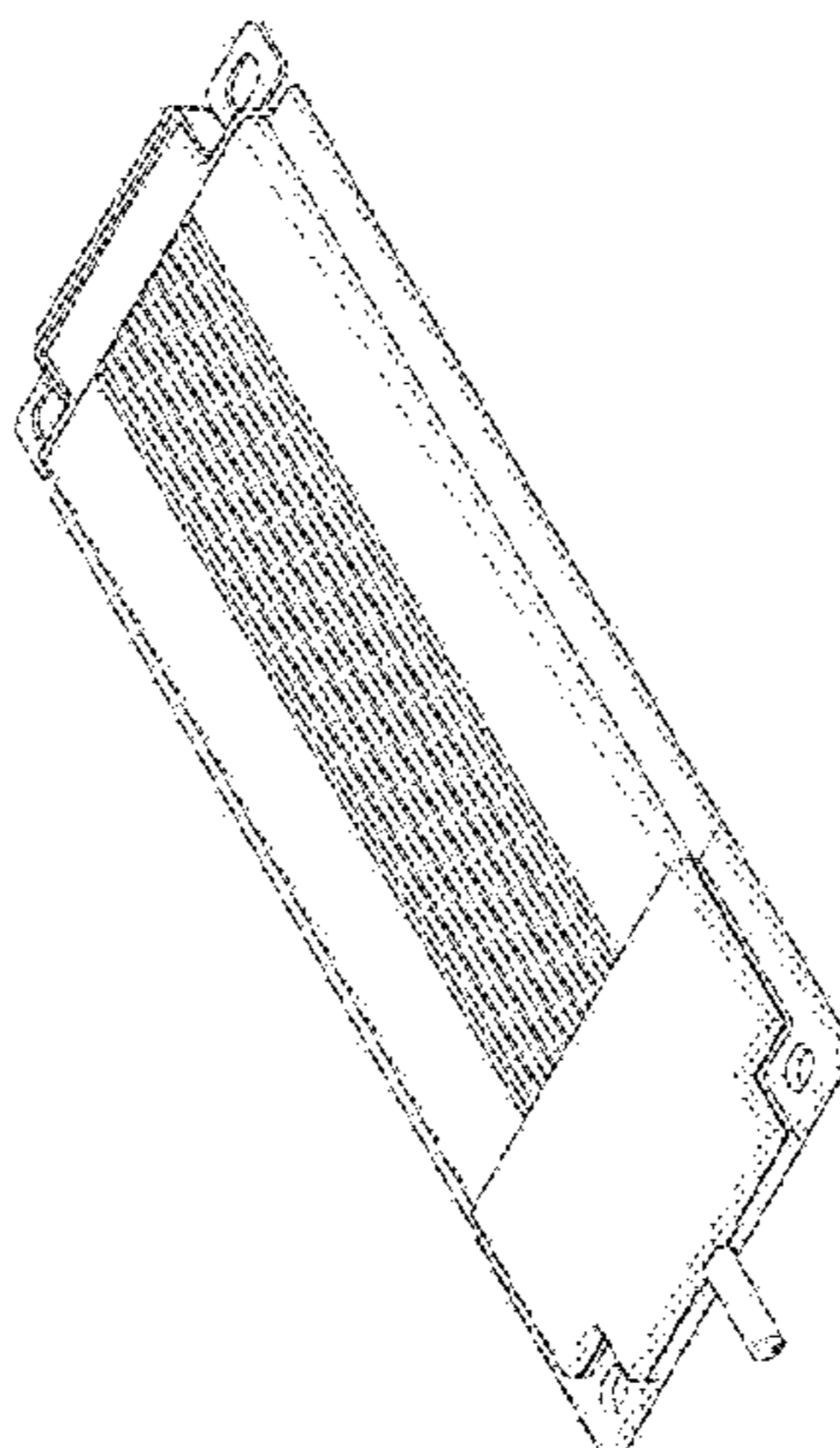


FIG. 2.4 is a bottom plan view thereof;
 FIG. 2.5 is a top plan view thereof;
 FIG. 2.6 is front elevation view thereof; and
 FIG. 2.7 is a rear elevation view thereof.

1 Claim, 14 Drawing Sheets

(58) **Field of Classification Search**

CPC 11/89; F24F 13/20; F24F 13/28; F24F
 1/022; F24F 1/38; F24F 2006/008; F24F
 2006/046; F24F 2110/00; F24F 2110/40;
 F24F 2110/50; F24F 2110/64; F24F
 2120/10; F24F 2140/12; F24F 2140/40;
 F24F 2140/50; F24F 2221/54; F24F
 3/044; F24F 3/0442; F24F 3/0444; F24F
 3/08; F24F 5/00; F24F 5/0003; F24F
 6/04; F24F 6/16; F24F 7/007; F24F 7/10

See application file for complete search history.

(56) **References Cited**

U.S. PATENT DOCUMENTS

D705,916 S * 5/2014 Saitou D23/351
 D755,944 S * 5/2016 Daniels D23/373

D768,276 S * 10/2016 Kim D23/354
 D784,511 S * 4/2017 Jonas D23/388
 D784,512 S * 4/2017 Jonas D23/388
 D787,656 S * 5/2017 Yoo D23/351
 D796,018 S * 8/2017 Kusuki D23/351
 D810,251 S * 2/2018 Yamashita D23/351
 D815,724 S * 4/2018 Jonas D23/385
 D816,206 S * 4/2018 Jonas D23/385
 D847,317 S * 4/2019 Shin D23/351
 D849,217 S * 5/2019 Yamashita D23/351
 D855,165 S * 7/2019 Bae D23/351
 D855,166 S * 7/2019 Bae D23/351
 2008/0067162 A1 3/2008 Suzuki et al.

FOREIGN PATENT DOCUMENTS

DE 102015120183 A1 5/2017
 EP 0516112 A2 2/1992

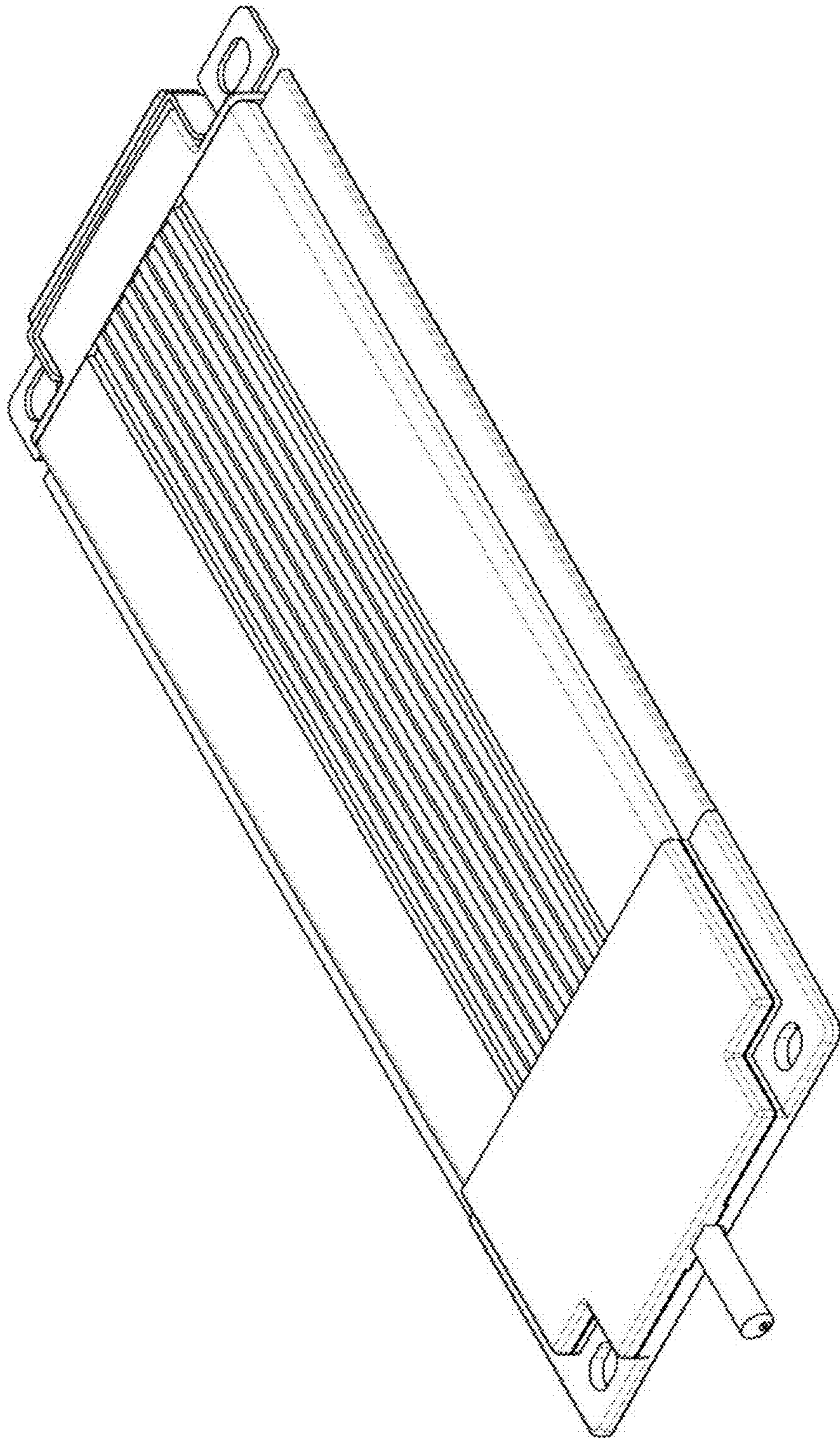
OTHER PUBLICATIONS

English machine-generated translation of German patent DE3042420,
 Jun. 24, 1982.

EPO Search Report in EPO application EP19202241.6, dated Feb.
 27, 2020.

* cited by examiner

1.1



1.2



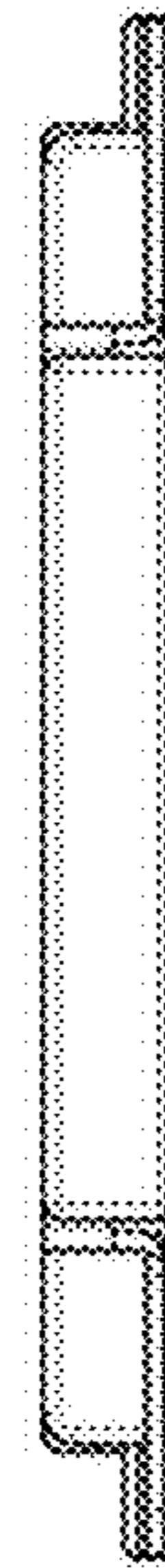
1.3



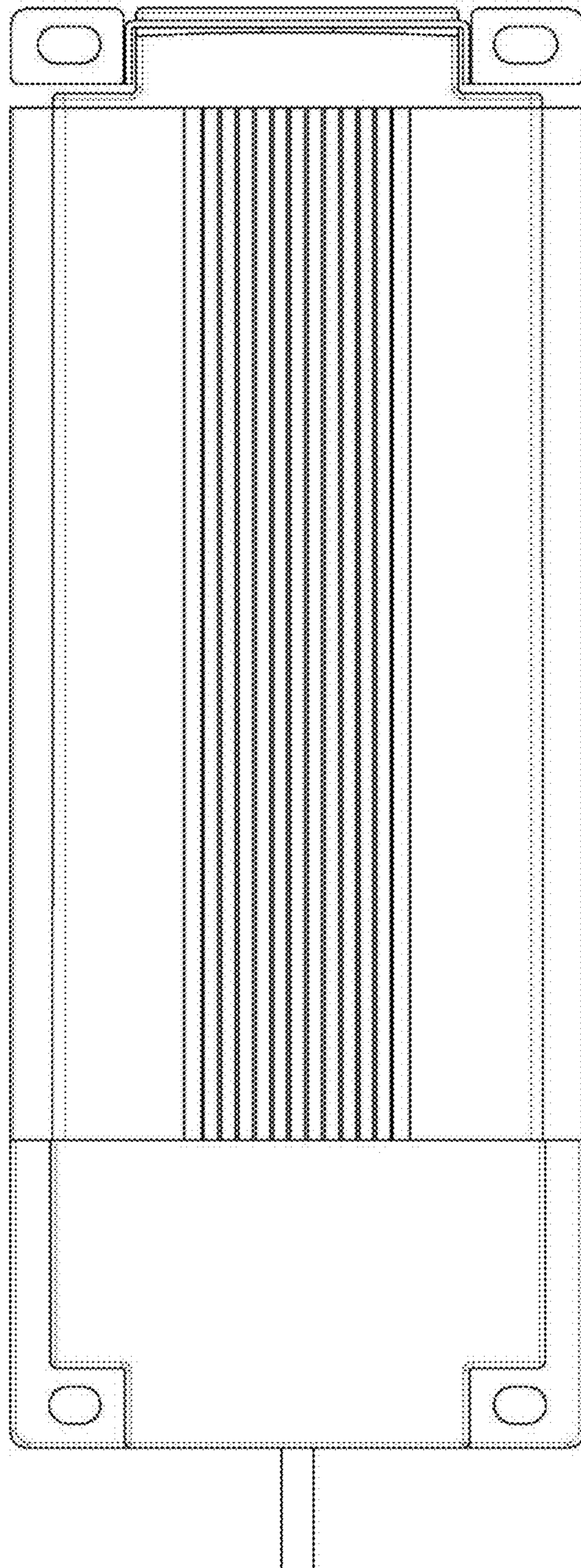
1.4



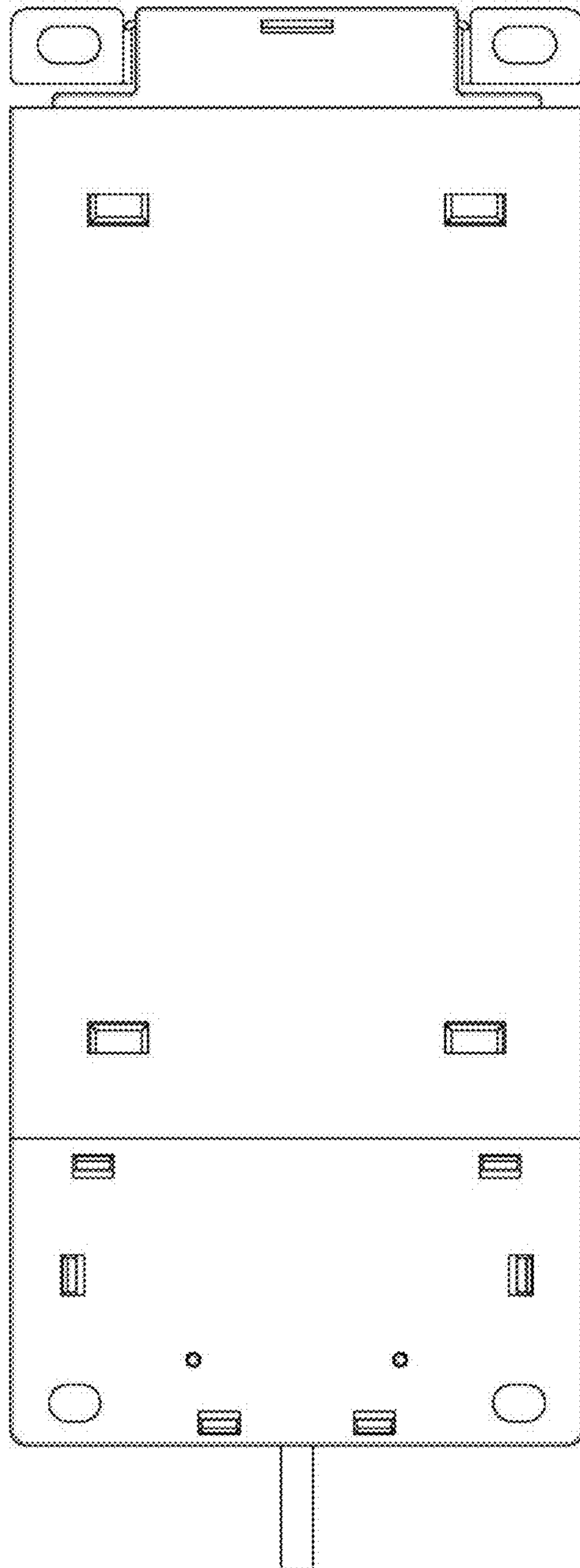
1.5



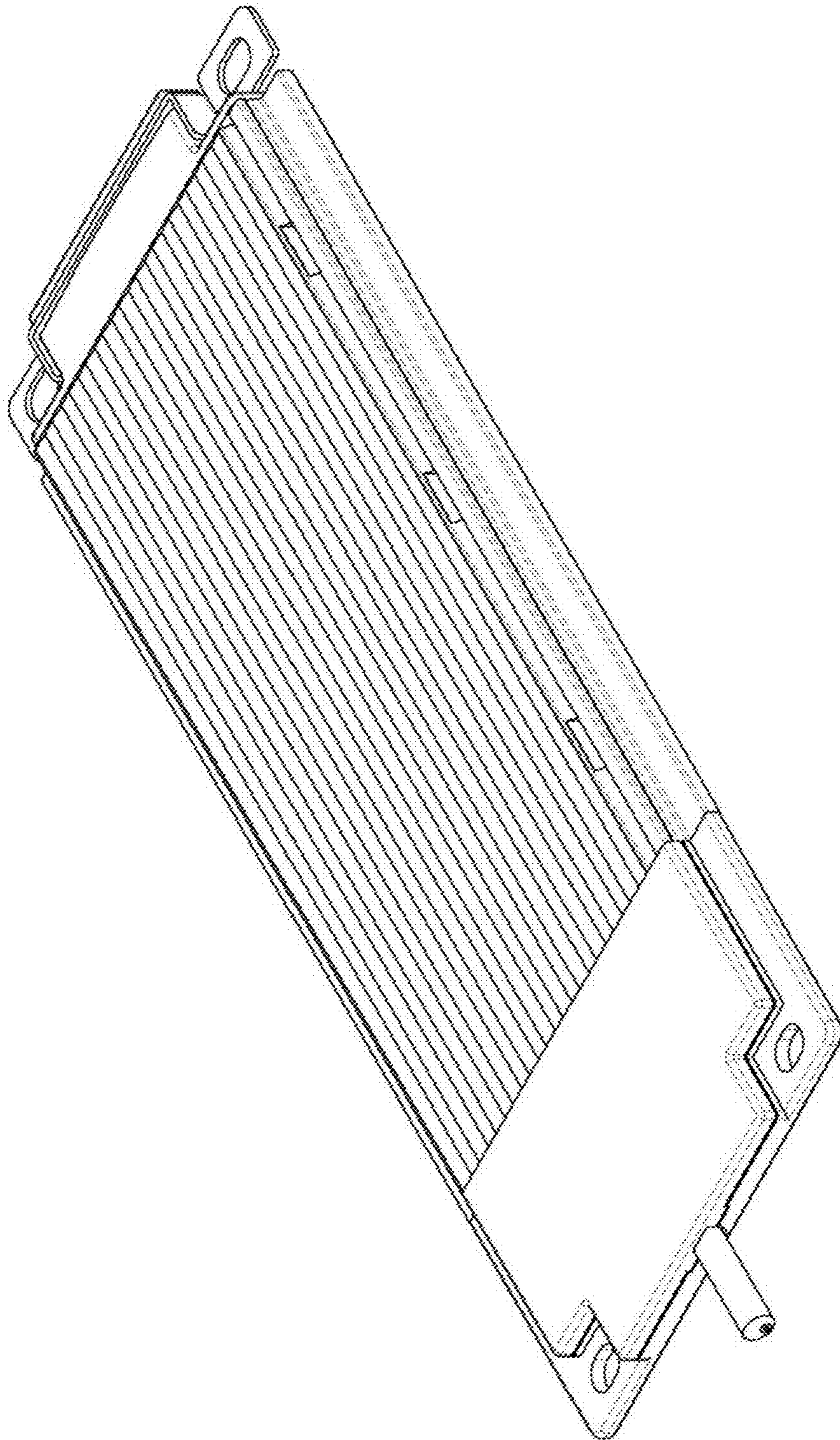
1.6



1.7



2.1



2.2



2.3



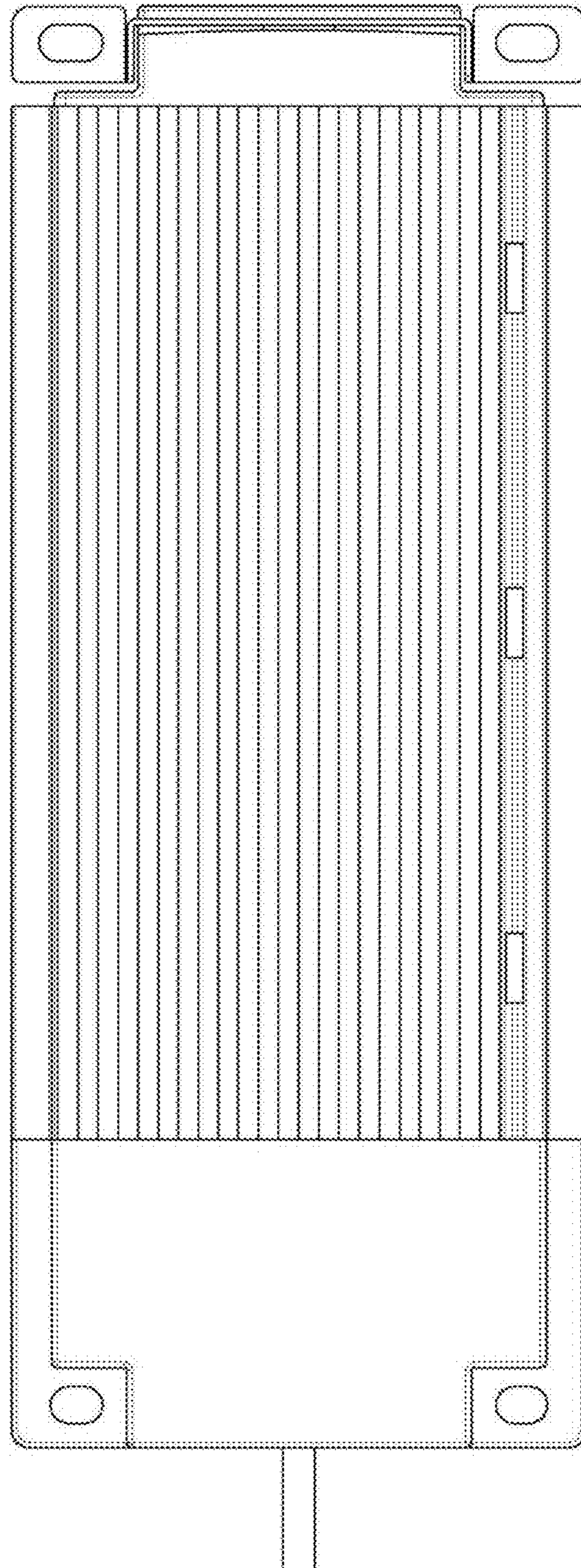
2.4



2.5



2.6



2.7

