



US00D896359S

(12) **United States Design Patent** (10) **Patent No.:** **US D896,359 S**  
**Morikawa et al.** (45) **Date of Patent:** **\*\* Sep. 15, 2020**

(54) **OUTDOOR UNITS FOR AIR CONDITIONERS**

(71) Applicant: **Mitsubishi Electric Corporation,**  
Tokyo (JP)

(72) Inventors: **Yuudai Morikawa,** Tokyo (JP); **Yutaka Aoyama,** Tokyo (JP)

(73) Assignee: **Mitsubishi Electric Corporation,**  
Tokyo (JP)

(\*\*) Term: **15 Years**

(21) Appl. No.: **29/678,270**

(22) Filed: **Jan. 28, 2019**

**Related U.S. Application Data**

(62) Division of application No. 29/587,272, filed on Dec. 12, 2016, now Pat. No. Des. 855,164.

(30) **Foreign Application Priority Data**

Jun. 27, 2016 (JP) ..... 2016-013526  
Jun. 27, 2016 (JP) ..... 2016-013527  
Jun. 27, 2016 (JP) ..... 2016-013528

(51) **LOC (12) Cl.** ..... **23-04**

(52) **U.S. Cl.**  
USPC ..... **D23/351**

(58) **Field of Classification Search**

USPC ..... D23/333, 351–354, 388  
CPC .... F24F 1/00; F24F 1/0007; F24F 1/02; F24F 1/08; F24F 1/42; F24F 1/56; F24F 1/60; F24F 3/044; F24F 3/048; F24F 3/16; G05D 23/1905; G05D 23/1932; G05D 23/1902; G05D 23/1931; G05B 19/0426; G05B 19/409; G05B 15/02

See application file for complete search history.

(56) **References Cited**

**U.S. PATENT DOCUMENTS**

D603,495 S 11/2009 Sata et al.  
D603,948 S 11/2009 Ishihara  
D604,400 S 11/2009 Sata et al.  
D617,886 S \* 6/2010 Sata ..... D23/351

(Continued)

*Primary Examiner* — Natasha Vujcic

(74) *Attorney, Agent, or Firm* — Studebaker & Brackett PC

(57) **CLAIM**

The ornamental design for the outdoor units for air conditioners, as shown and described.

**DESCRIPTION**

FIG. 1 is a perspective view of the front, right and top sides of a first embodiment;

FIG. 2 is a perspective view of the rear, left and top sides thereof;

FIG. 3 is a front view thereof;

FIG. 4 is a rear view thereof;

FIG. 5 is a top side view thereof;

FIG. 6 is a bottom side view thereof;

FIG. 7 is a left side view thereof;

FIG. 8 is a right side view thereof;

FIG. 9 is a perspective view of the front, right and top sides of a second embodiment;

FIG. 10 is a perspective view of the rear, left and top sides thereof;

FIG. 11 is a front view thereof;

FIG. 12 is a rear view thereof;

FIG. 13 is a top side view thereof;

FIG. 14 is a bottom side view thereof;

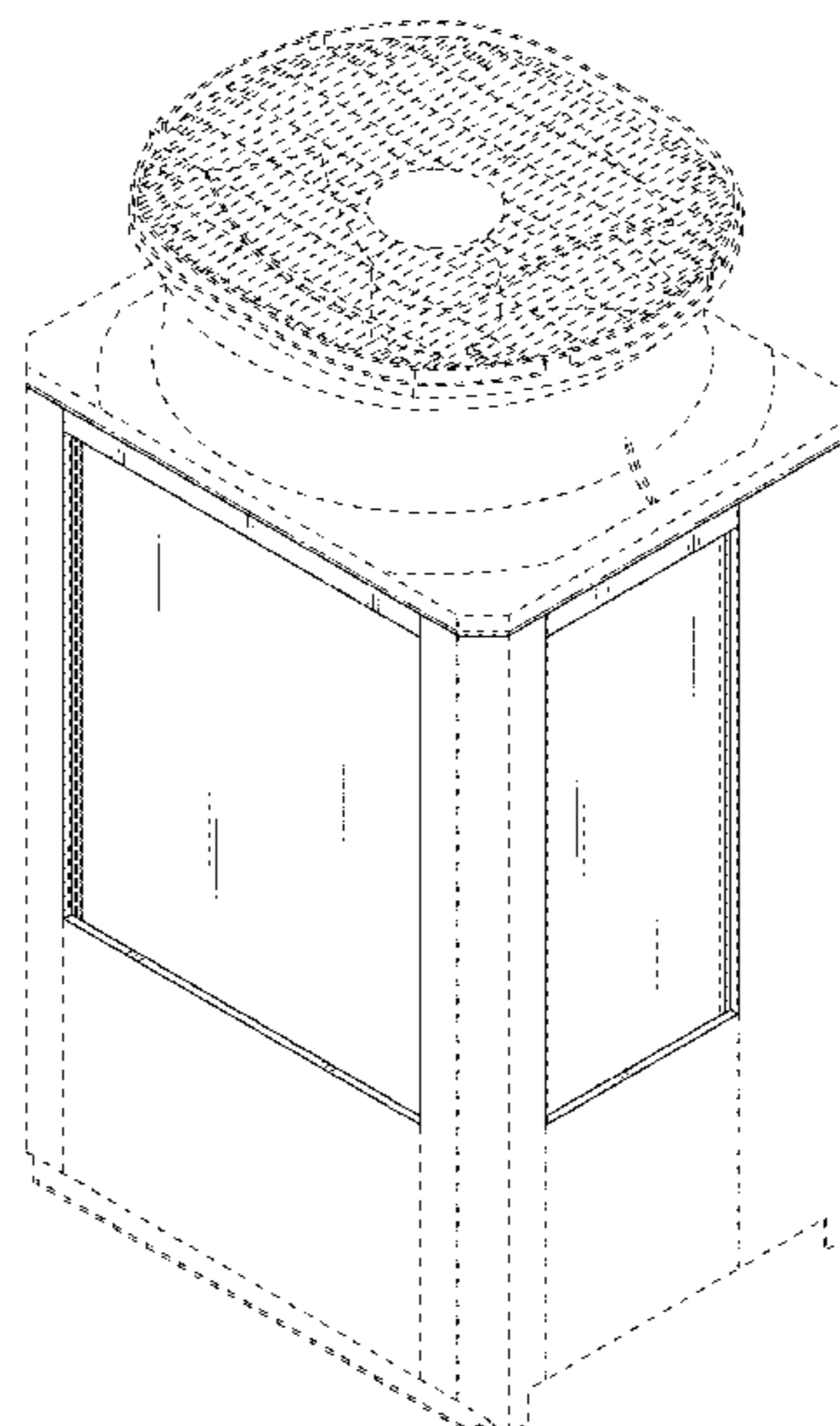
FIG. 15 is a left side view thereof; and,

FIG. 16 is a right side view thereof.

The broken lines showing of the outdoor units for air conditioners are included for the purpose of illustrating portions of the outdoor units for air conditioners and forms no part of the claimed design.

The dot and dashed lines mean a boundary between the claimed portion and the non-claimed portion.

**1 Claim, 14 Drawing Sheets**



(56)

**References Cited**

## U.S. PATENT DOCUMENTS

D628,685 S	12/2010	Aoyama et al.	
D629,091 S	12/2010	Maetzawa et al.	
D653,740 S	2/2012	Satou	
D653,741 S	2/2012	Tsuji	
D653,742 S	2/2012	Satou	
D704,321 S *	5/2014	Jardine .....	D23/365
D741,465 S *	10/2015	Satou .....	D23/364
D741,466 S *	10/2015	Satou .....	D23/364
D775,715 S	1/2017	Kim et al.	
D804,000 S	11/2017	Nomura et al.	
D814,002 S	3/2018	Morikawa et al.	
D814,003 S	3/2018	Morikawa et al.	
D814,004 S	3/2018	Morikawa et al.	
D814,005 S	3/2018	Morikawa et al.	
D822,150 S *	7/2018	Tieleman .....	D23/200
D828,911 S *	9/2018	Murofushi .....	D23/351
D846,719 S *	4/2019	Niki .....	D23/351
D847,315 S *	4/2019	Niki .....	D23/351
D847,321 S *	4/2019	Murofushi .....	D23/351
D847,322 S *	4/2019	Murofushi .....	D23/351
D855,164 S *	7/2019	Morikawa .....	D23/351
D857,866 S *	8/2019	Niki .....	D23/351
D878,527 S *	3/2020	Qiu .....	D23/351
D884,861 S *	5/2020	Seymour .....	D23/359

\* cited by examiner

Fig. 1

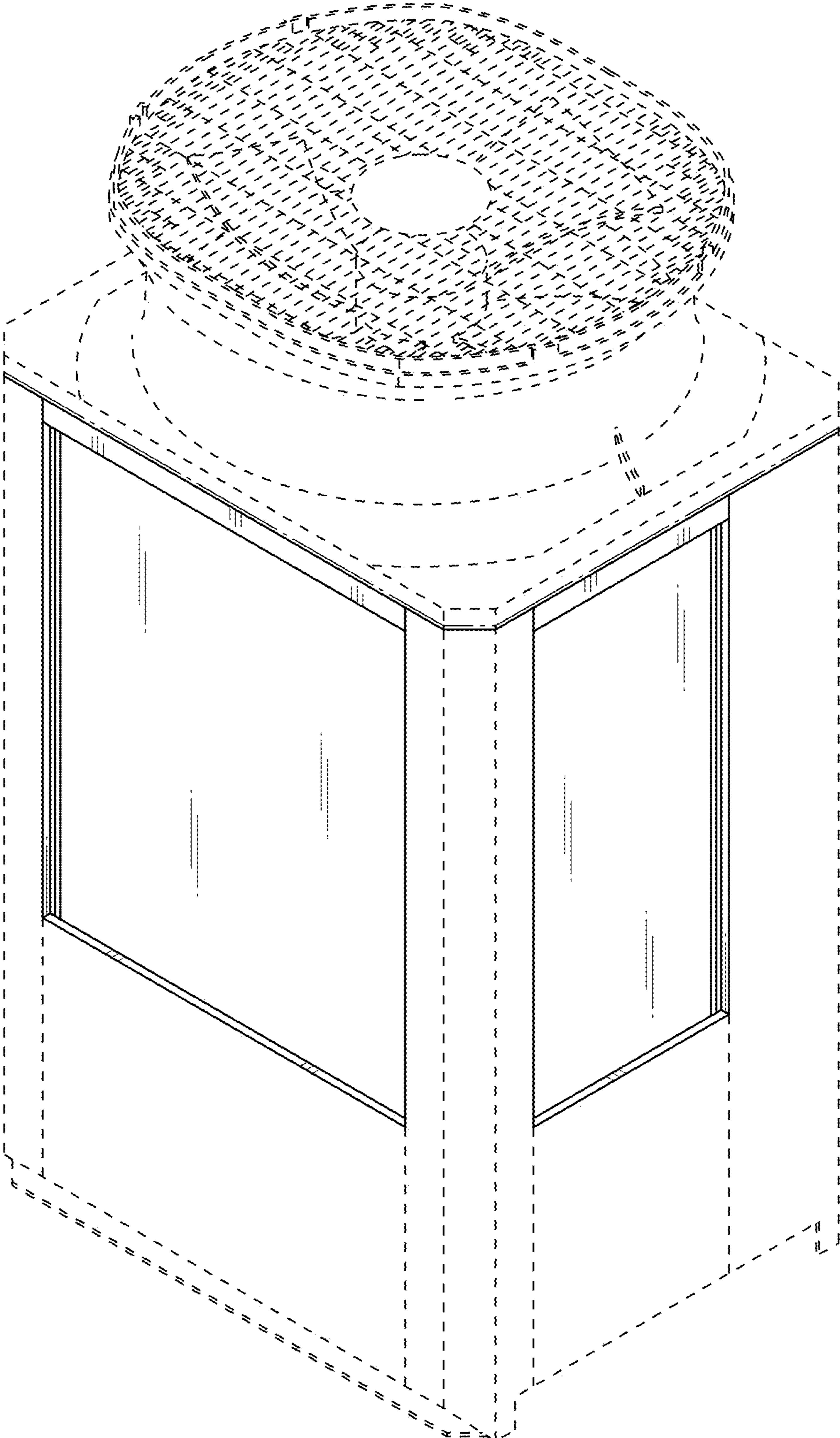


Fig. 2

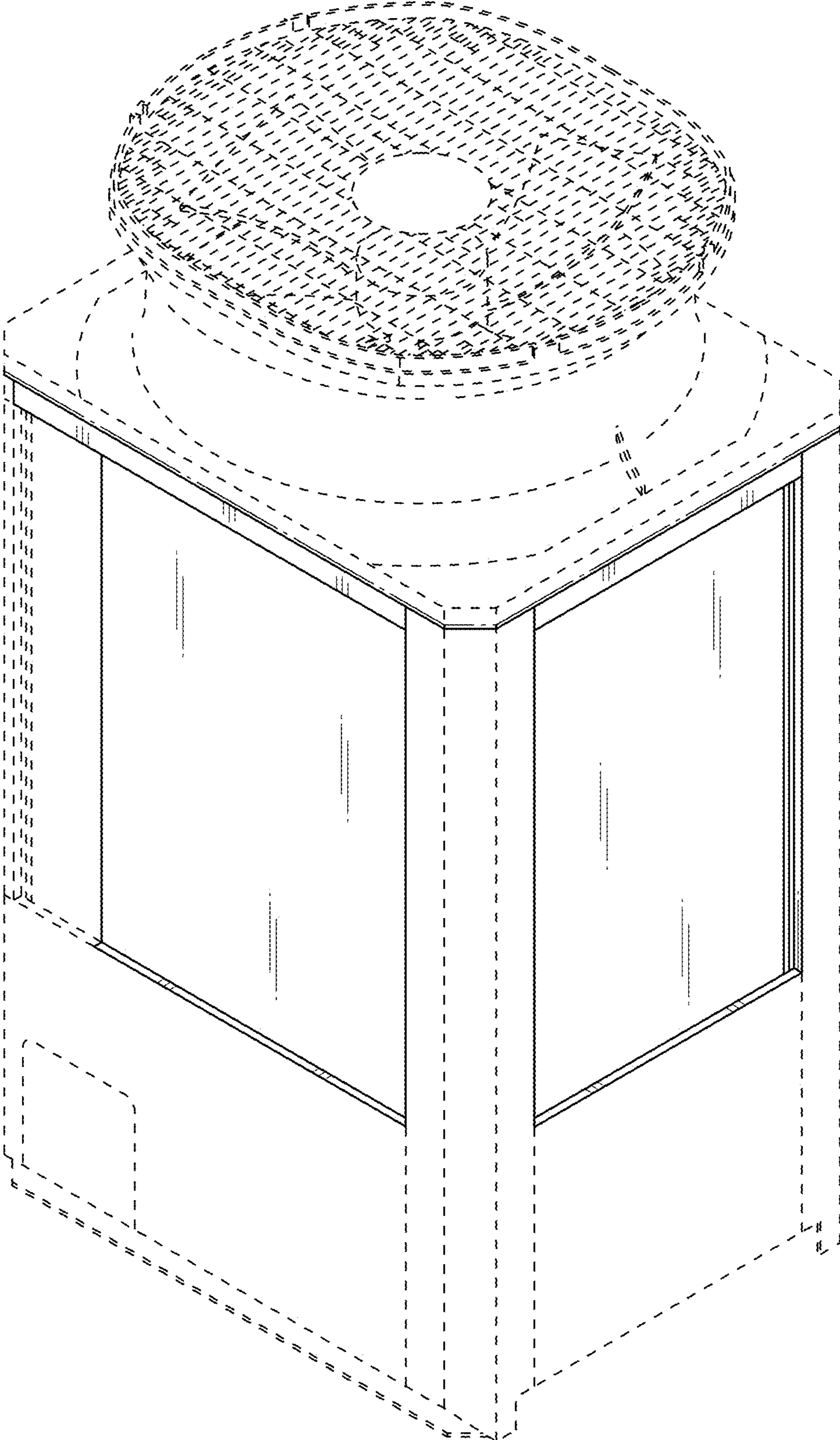


Fig. 3

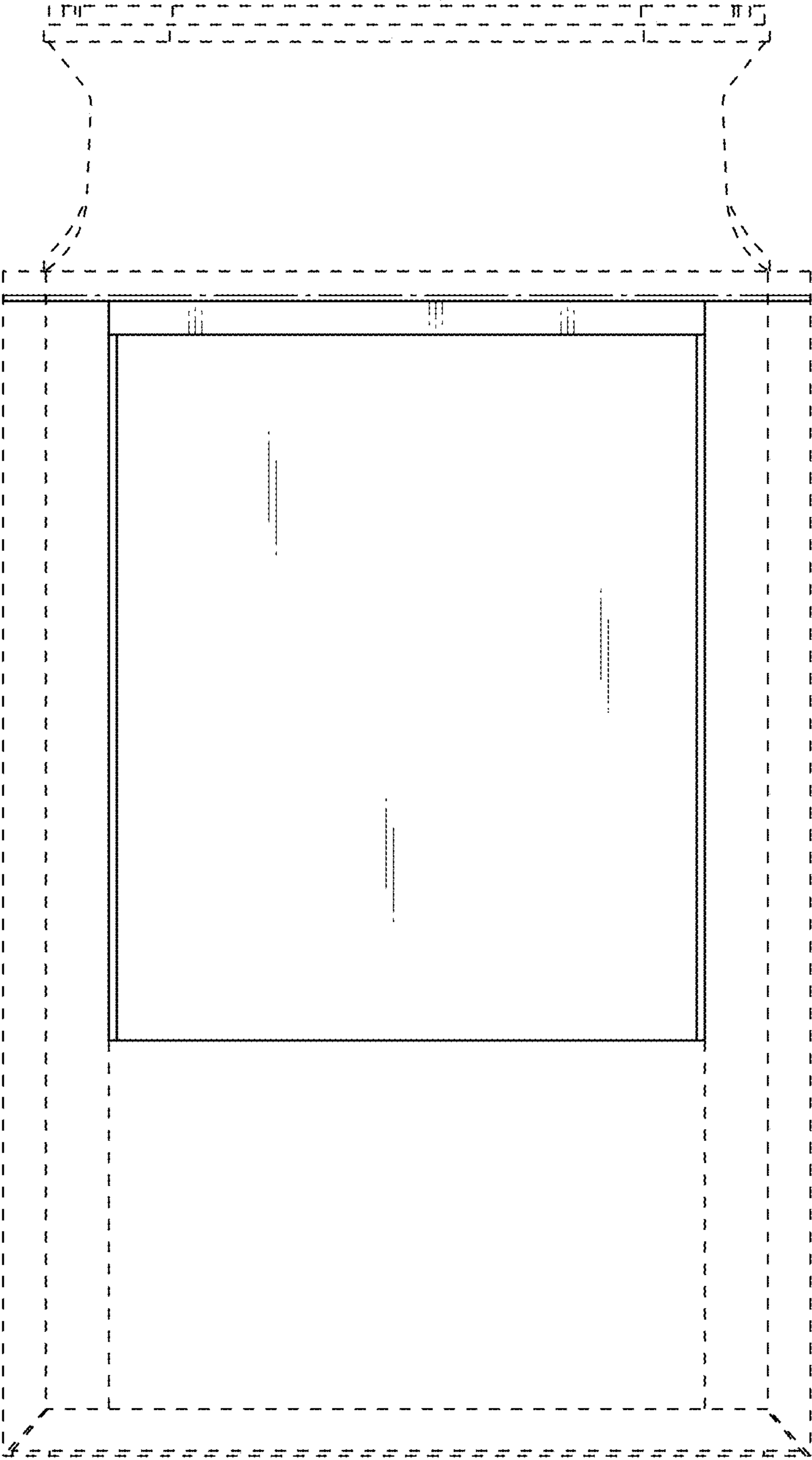


Fig. 4

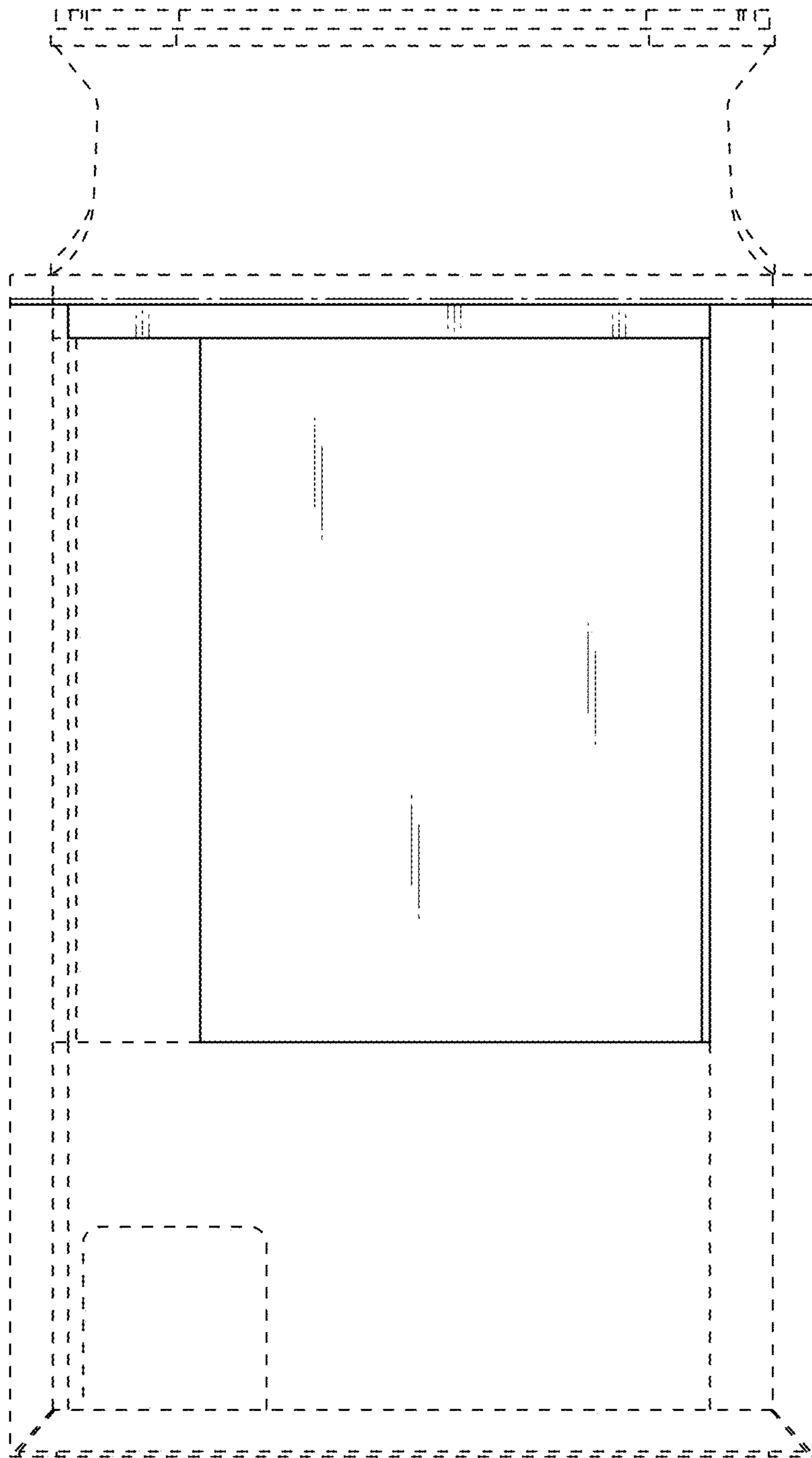


Fig. 5

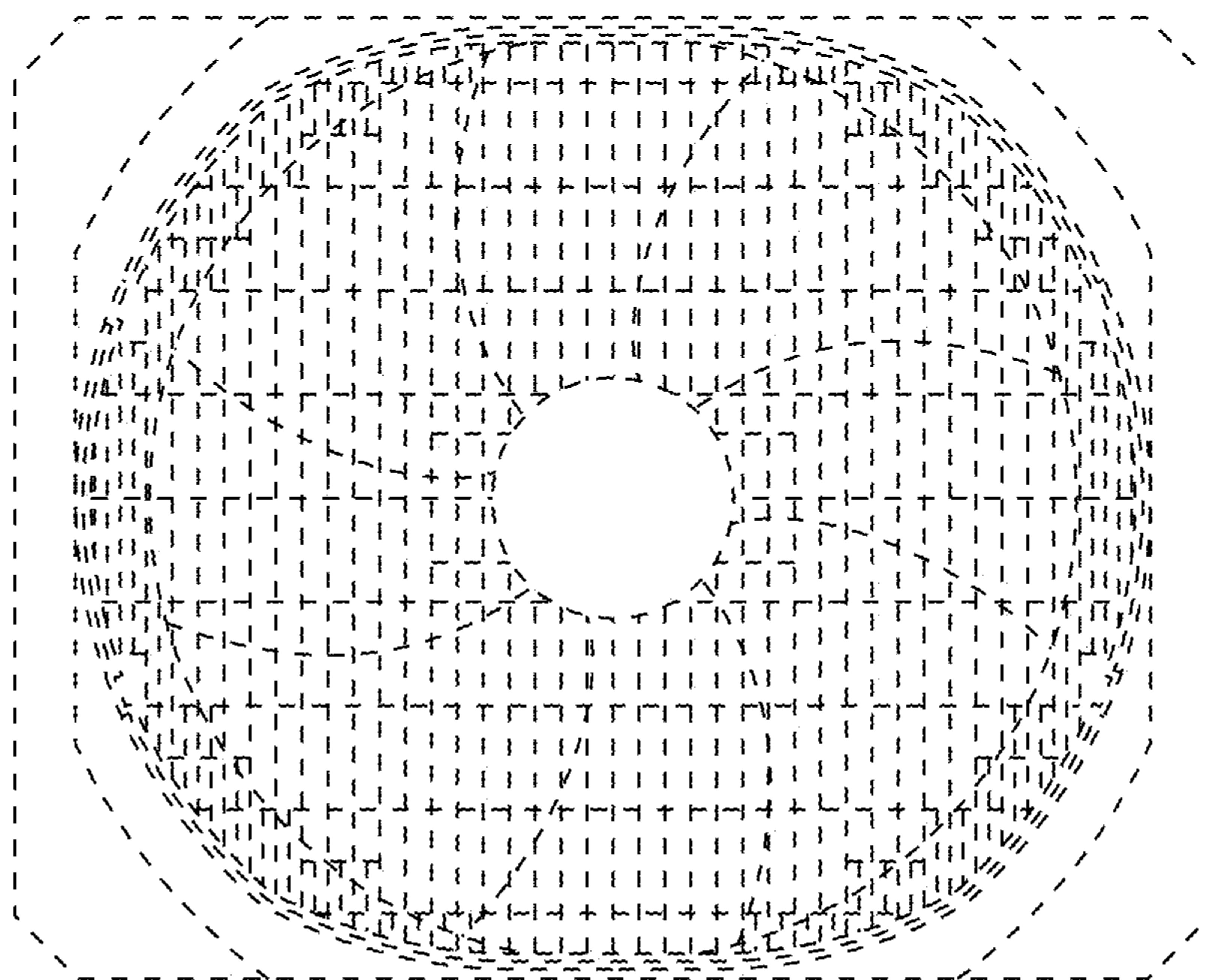


Fig. 6



Fig. 7

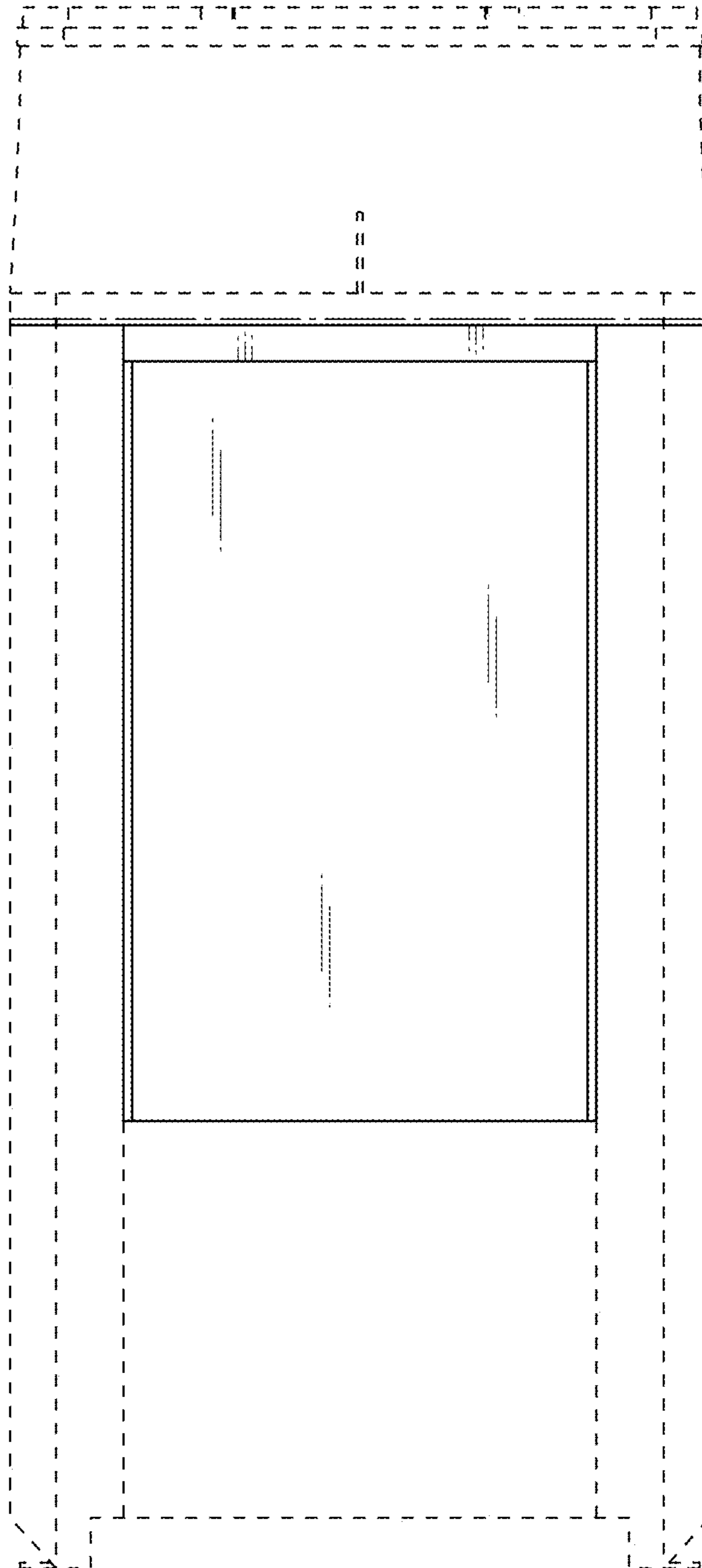




Fig. 8

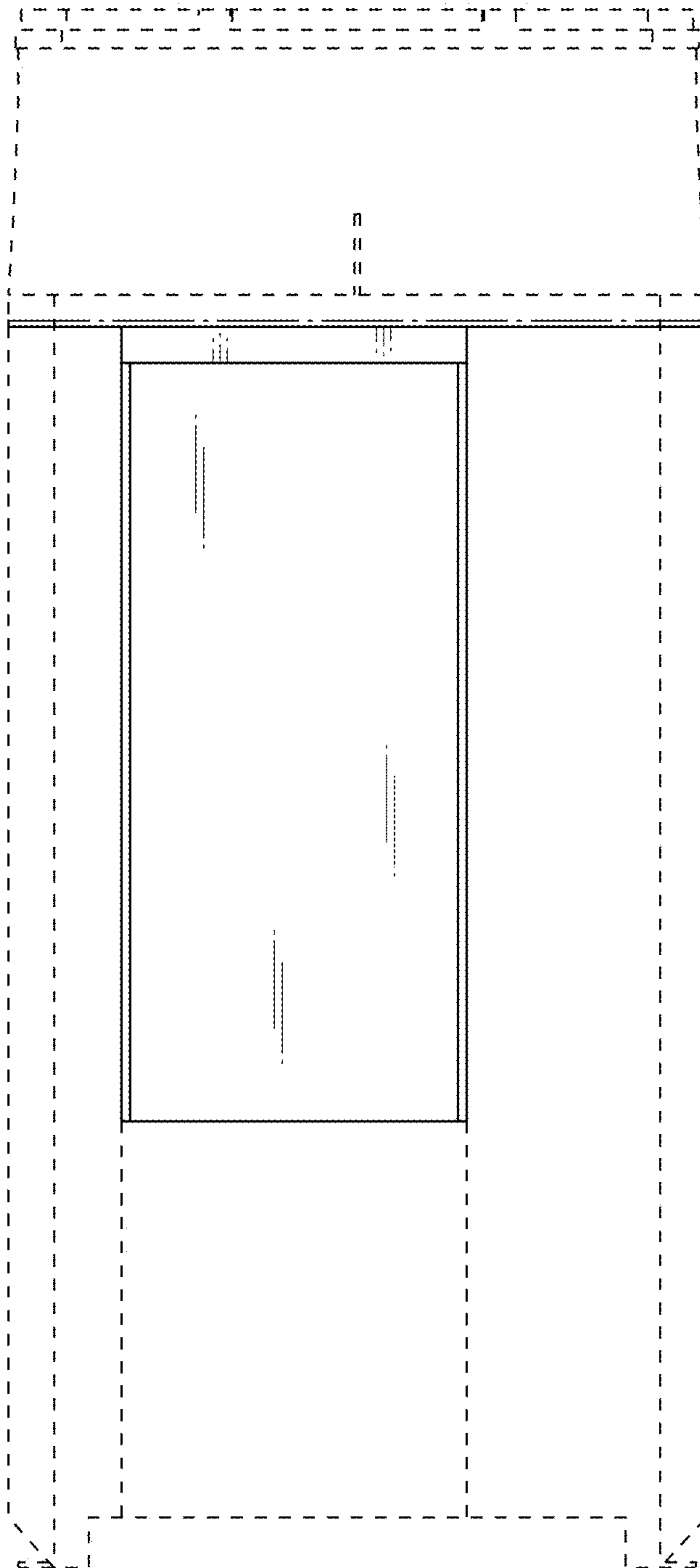


Fig. 9

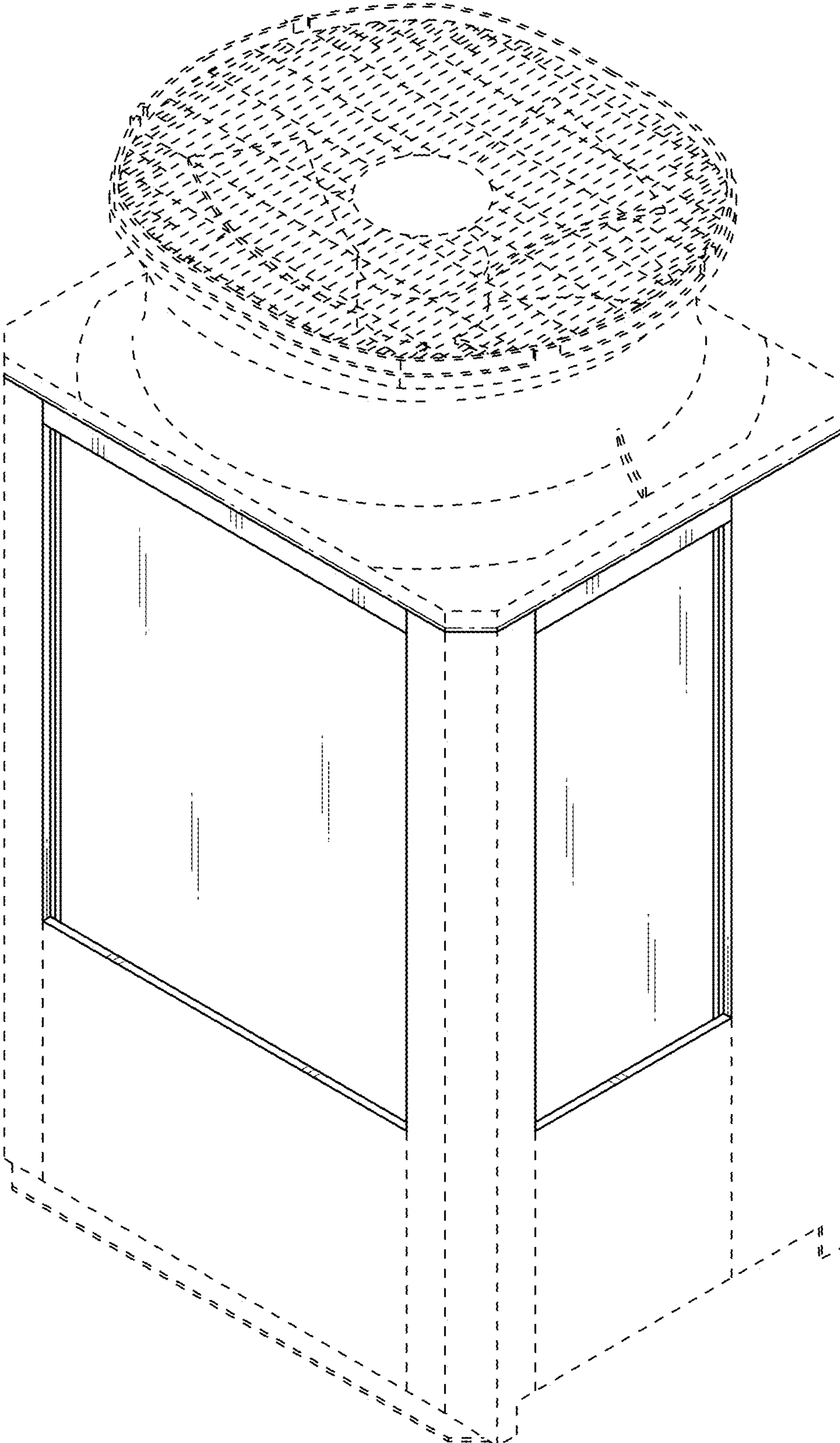


Fig. 10

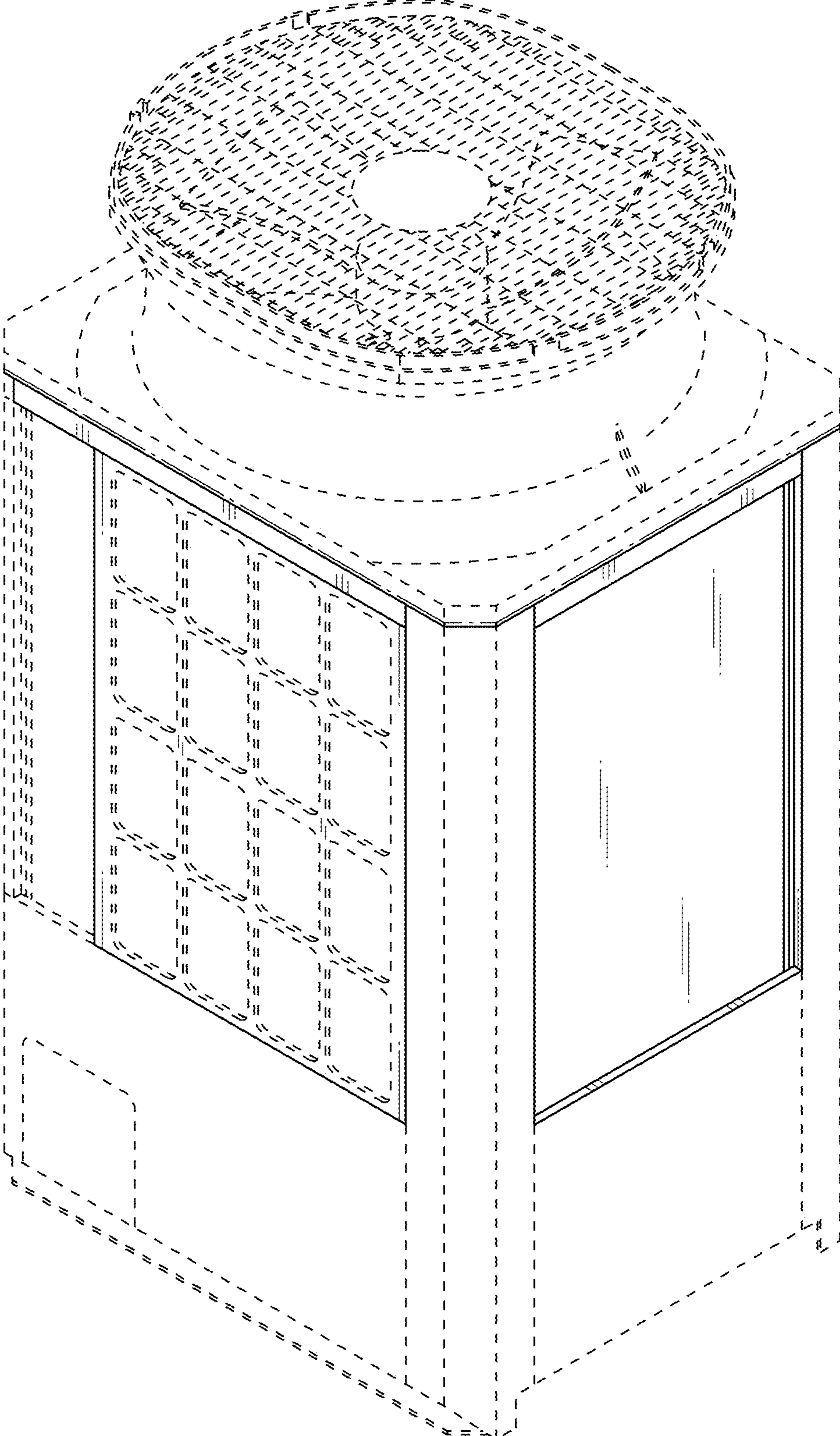


Fig. 11

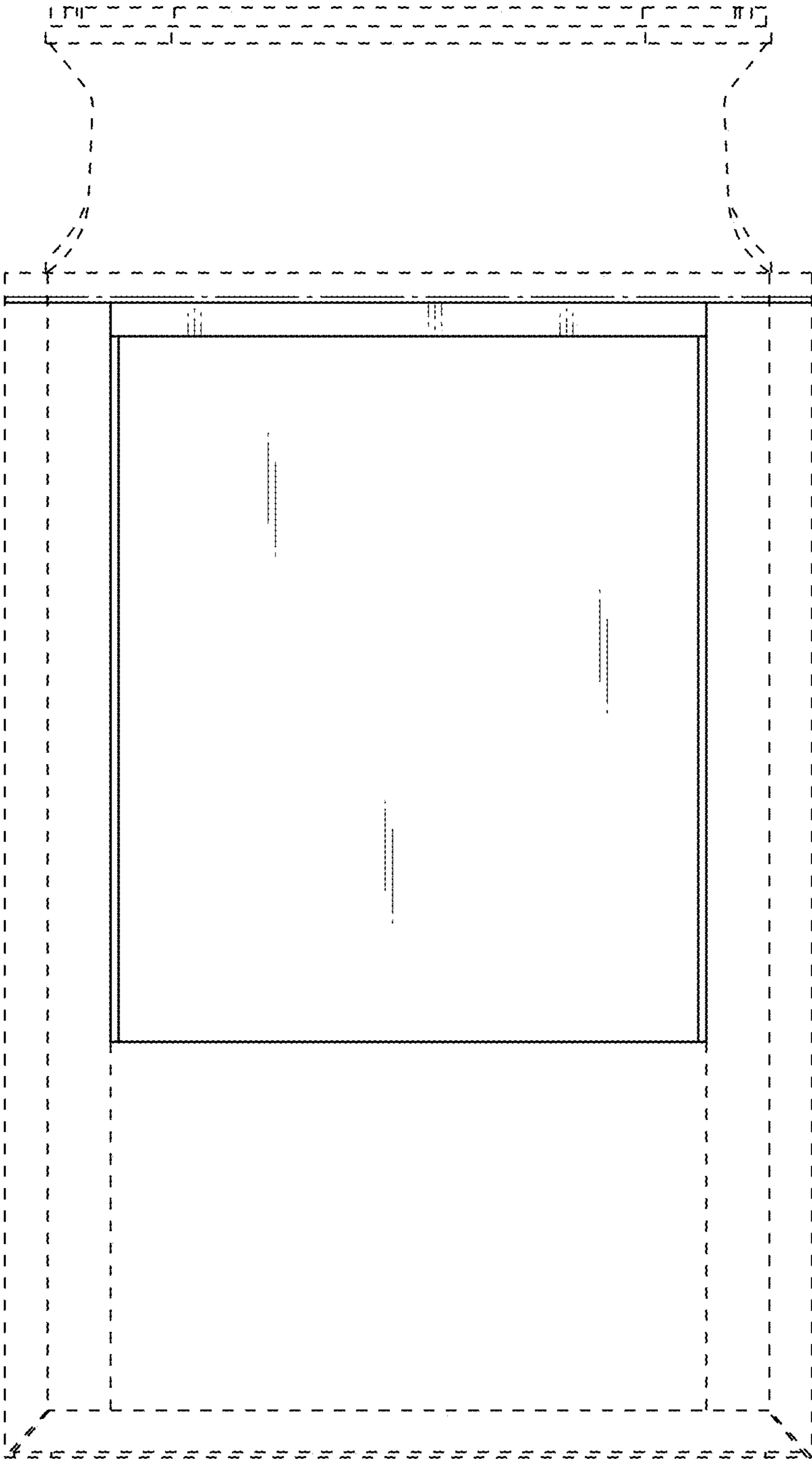


Fig. 12

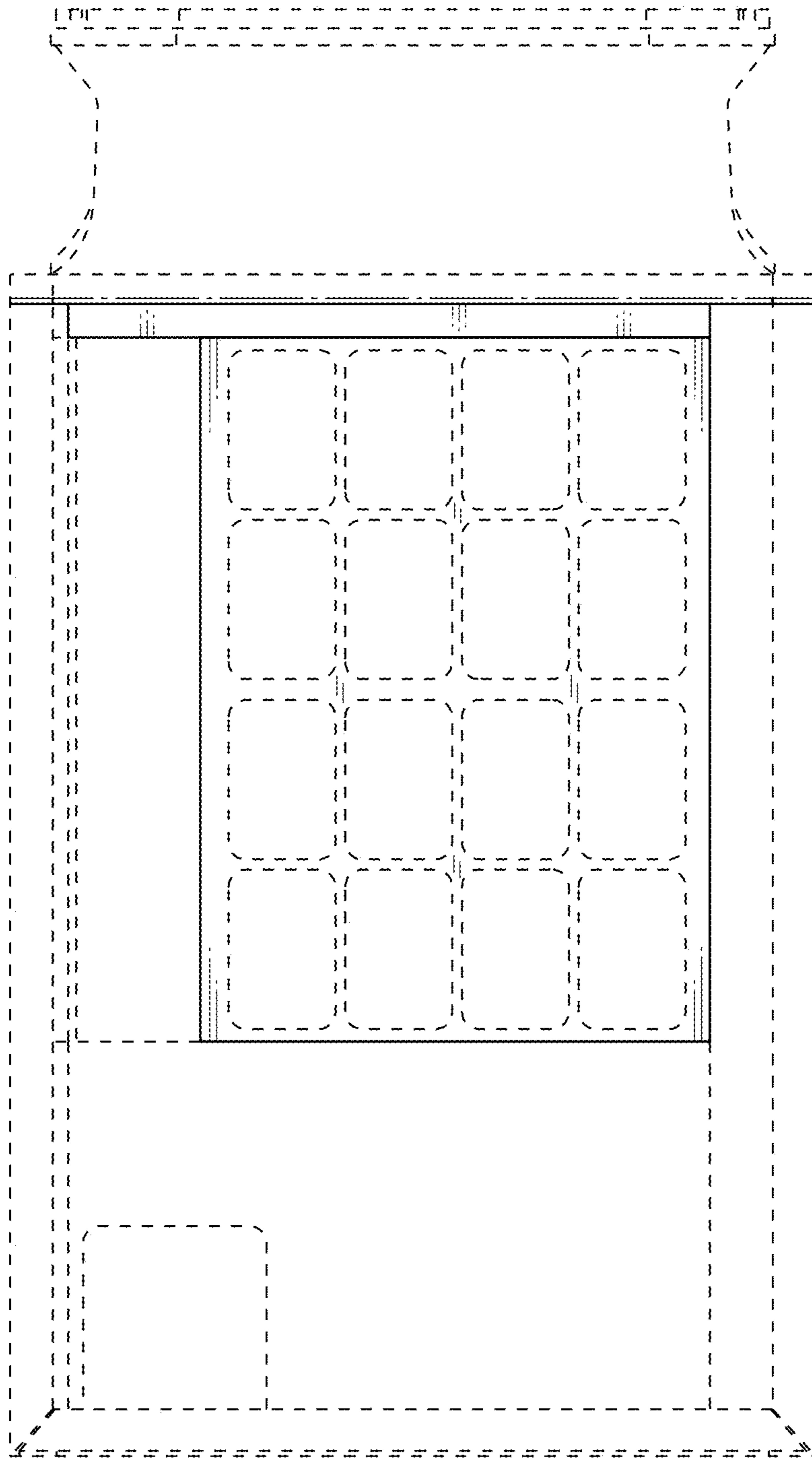


Fig. 13

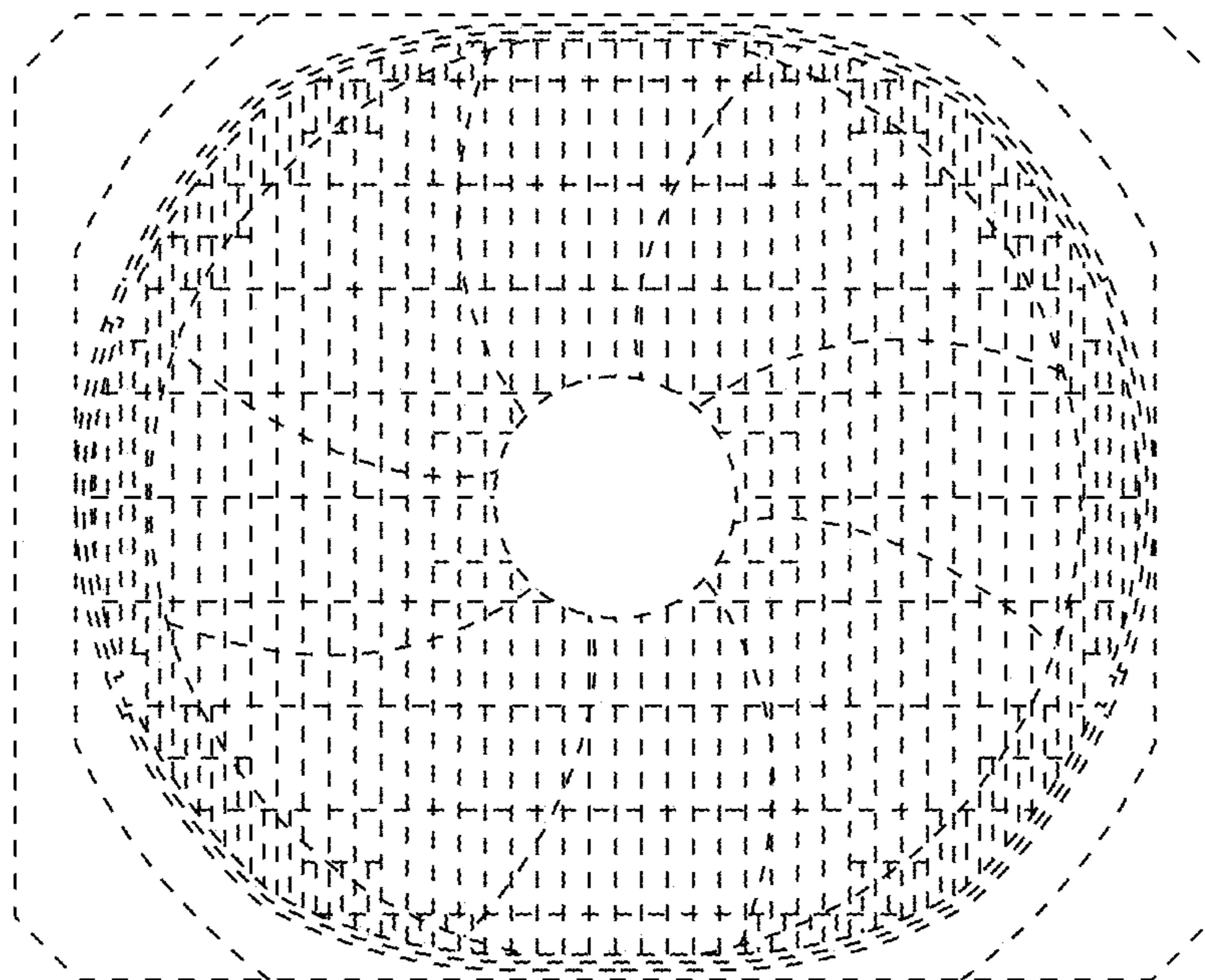


Fig. 14



Fig. 15

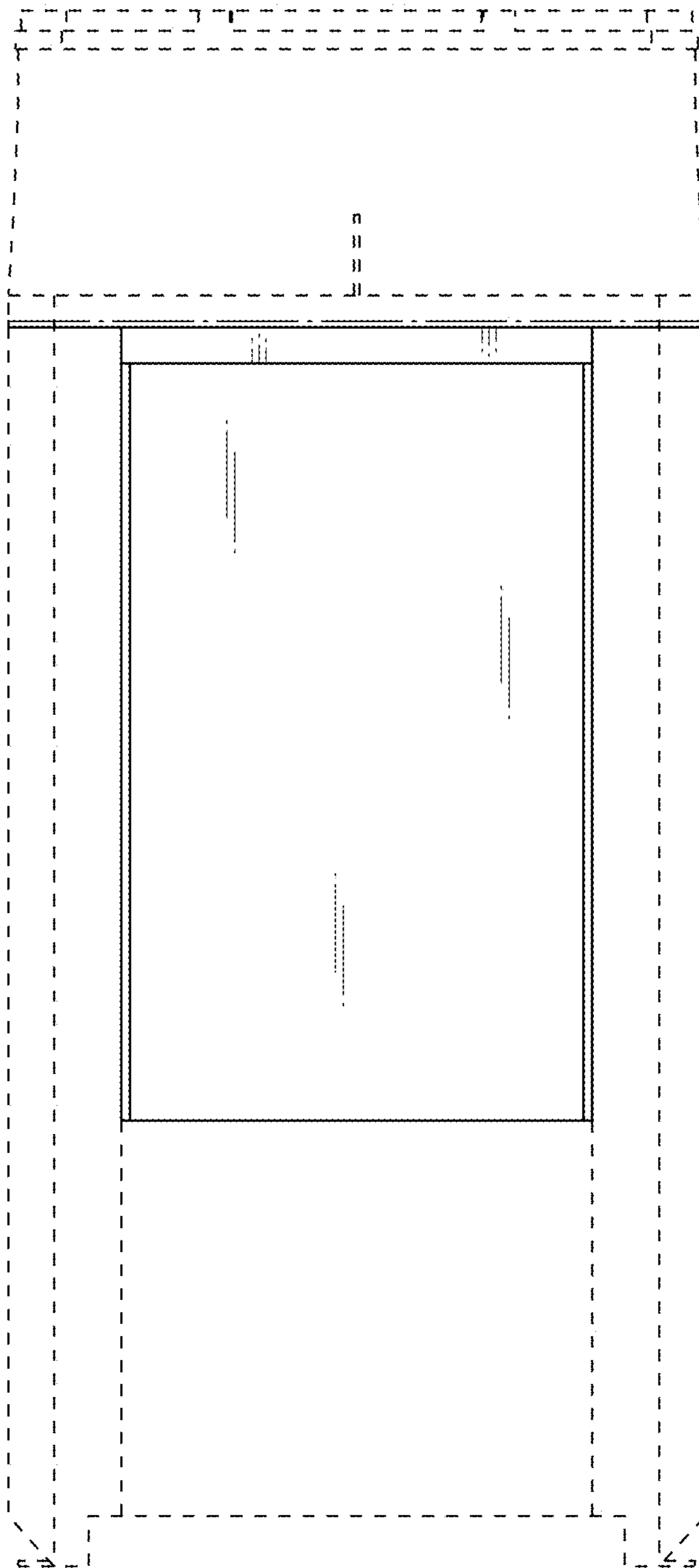


Fig. 16

