



US00D896356S

(12) **United States Design Patent** (10) **Patent No.:** **US D896,356 S**
Buzzard et al. (45) **Date of Patent:** **** Sep. 15, 2020**

(54) **INFANT SEAT**
(71) Applicant: **Skip Hop, Inc.**, New York, NY (US)
(72) Inventors: **Kyle A. Buzzard**, Lombard, IL (US); **Hui Jin**, New York, NY (US); **Simon Korazija**, Chicago, IL (US); **John Healy**, Brooklyn, NY (US); **Scott Harold Wilson**, Chicago, IL (US); **Benjamin Bearsch**, Brooklyn, NY (US)

5,302,163 A 4/1994 Fermaglich et al.
5,433,682 A 7/1995 Fermaglich et al.
5,480,210 A 1/1996 Lehenbauer et al.
5,518,475 A 5/1996 Garland
5,688,211 A 11/1997 Myers

(Continued)

FOREIGN PATENT DOCUMENTS

CN 107788729 3/2018
GB 2503340 12/2013

(73) Assignee: **SKIP HOP, INC.**, New York, NY (US)

(**) Term: **15 Years**

(21) Appl. No.: **29/680,236**

(22) Filed: **Feb. 14, 2019**

(51) **LOC (12) Cl.** **23-02**

(52) **U.S. Cl.**
USPC **D23/296**

(58) **Field of Classification Search**
USPC D23/296, 303, 309, 311; D6/333
CPC A47K 13/06; A47K 13/24; A47K 17/028;
A47K 11/04; A47C 12/02; G09B
19/0076; Y10S 4/902

See application file for complete search history.

(56) **References Cited**

U.S. PATENT DOCUMENTS

697,474 A 4/1902 Glascock
1,176,048 A 3/1916 Gentilella
1,256,548 A 2/1918 Gannon
1,302,743 A 5/1919 Wesley
1,313,330 A 8/1919 Pocock
2,665,742 A 1/1954 Starysky
2,812,012 A 9/1954 Hansburg
2,988,136 A 6/1961 Kowalczyk
3,820,841 A 6/1974 Andrews
4,094,547 A 6/1978 Zampino et al.
4,298,228 A 11/1981 Zampino et al.
4,948,120 A 8/1990 Krueger et al.
5,080,383 A 1/1992 Hsieh

OTHER PUBLICATIONS

<https://www.amazon.com/Summer-Infant-3-Stage-Discontinued-Manufacturer/dp/B000YZAG7I>; accessed online Sep. 20, 2018.

(Continued)

Primary Examiner — Robert A Delehanty

(74) *Attorney, Agent, or Firm* — Stephen J. Weyer, Esq.; Stites & Harbison, PLLC.

(57) **CLAIM**

The ornamental design for an infant seat, as shown and described.

DESCRIPTION

FIG. 1 is a top, front and right side perspective view of the infant seat of our design.

FIG. 2 is a front elevation view thereof.

FIG. 3 is a rear elevation view thereof.

FIG. 4 is a right side view thereof.

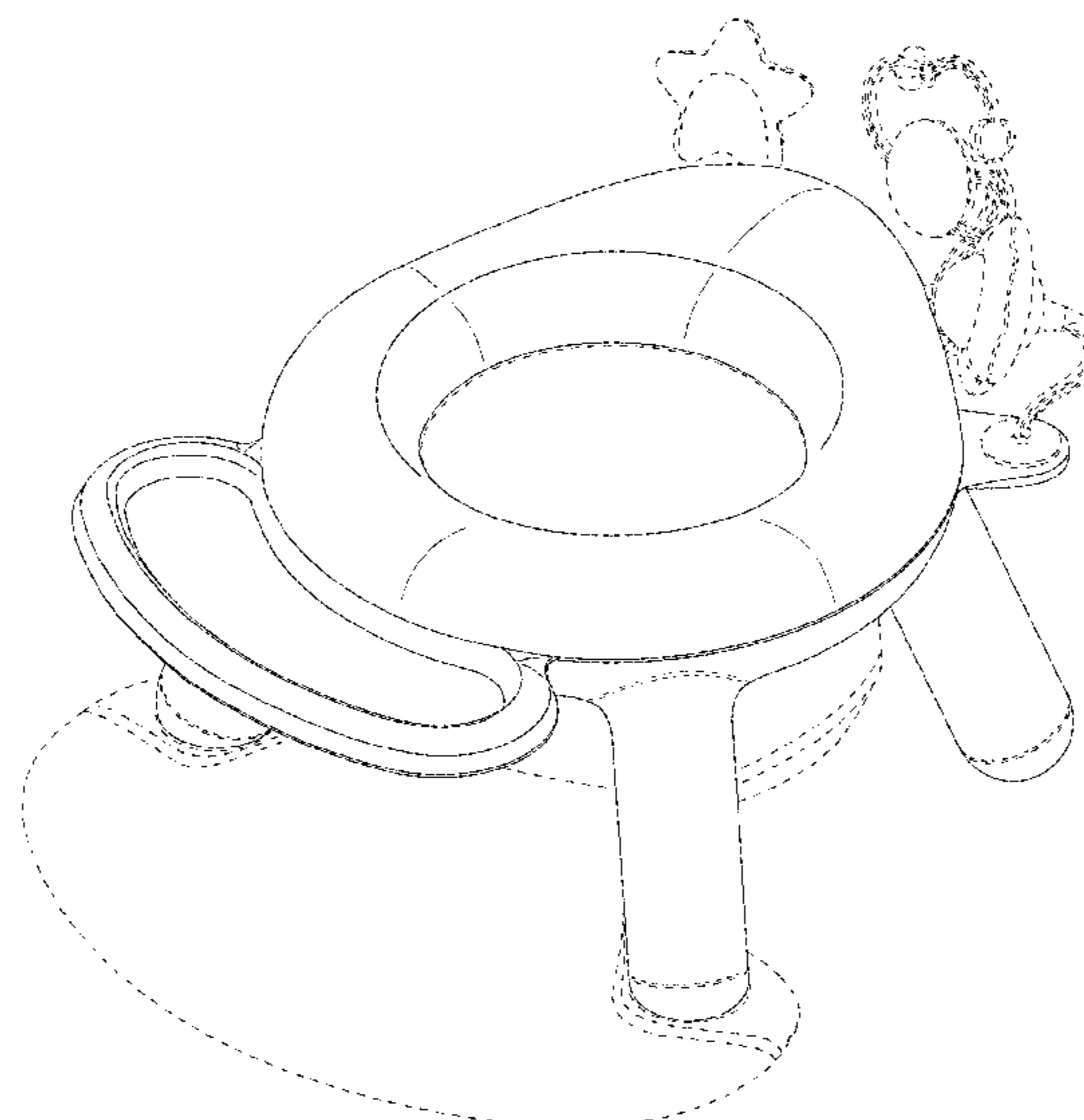
FIG. 5 is a left side view thereof.

FIG. 6 is a top plan view thereof; and,

FIG. 7 is a top plan view thereof showing the toys and tray rotated 180 degrees.

In FIG. 1, all elements below the dashed circle in the center of the seat are disclaimed. The remaining dash-dash broken lines are included for illustrating portions of the infant seat, and form no part of the claimed design.

1 Claim, 7 Drawing Sheets



(56)

References Cited

U.S. PATENT DOCUMENTS

D395,467	S	6/1998	Bellows	
6,048,290	A	4/2000	Chen et al.	
6,652,947	B2	11/2003	Sweeney et al.	
6,817,864	B1	11/2004	Martinez	
6,854,799	B1	2/2005	Asbach et al.	
6,896,575	B2	5/2005	Fair et al.	
7,523,984	B2	4/2009	Steininger	
7,695,060	B2	4/2010	Dubiel	
7,740,560	B2	6/2010	Tadin et al.	
9,078,529	B2	7/2015	Ellsworth	
D738,475	S *	9/2015	Cohen	D23/296
9,365,231	B1	6/2016	Rajput	
9,370,257	B2	6/2016	Roberts et al.	
D868,900	S *	12/2019	Healy	A63H 33/006 D21/419
2018/0035824	A1	2/2018	Goh et al.	

OTHER PUBLICATIONS

<https://www.shopko.com/product/Baby-Einstein-3-in-1-Snack-Discover-Seat/155658.uts> ; accessed online Sep. 20, 2018.

<http://craziestgadgets.com/2011/11/17/kidco-gopod-portable-activity-seat/> ; accessed online Sep. 20, 2018.

* cited by examiner

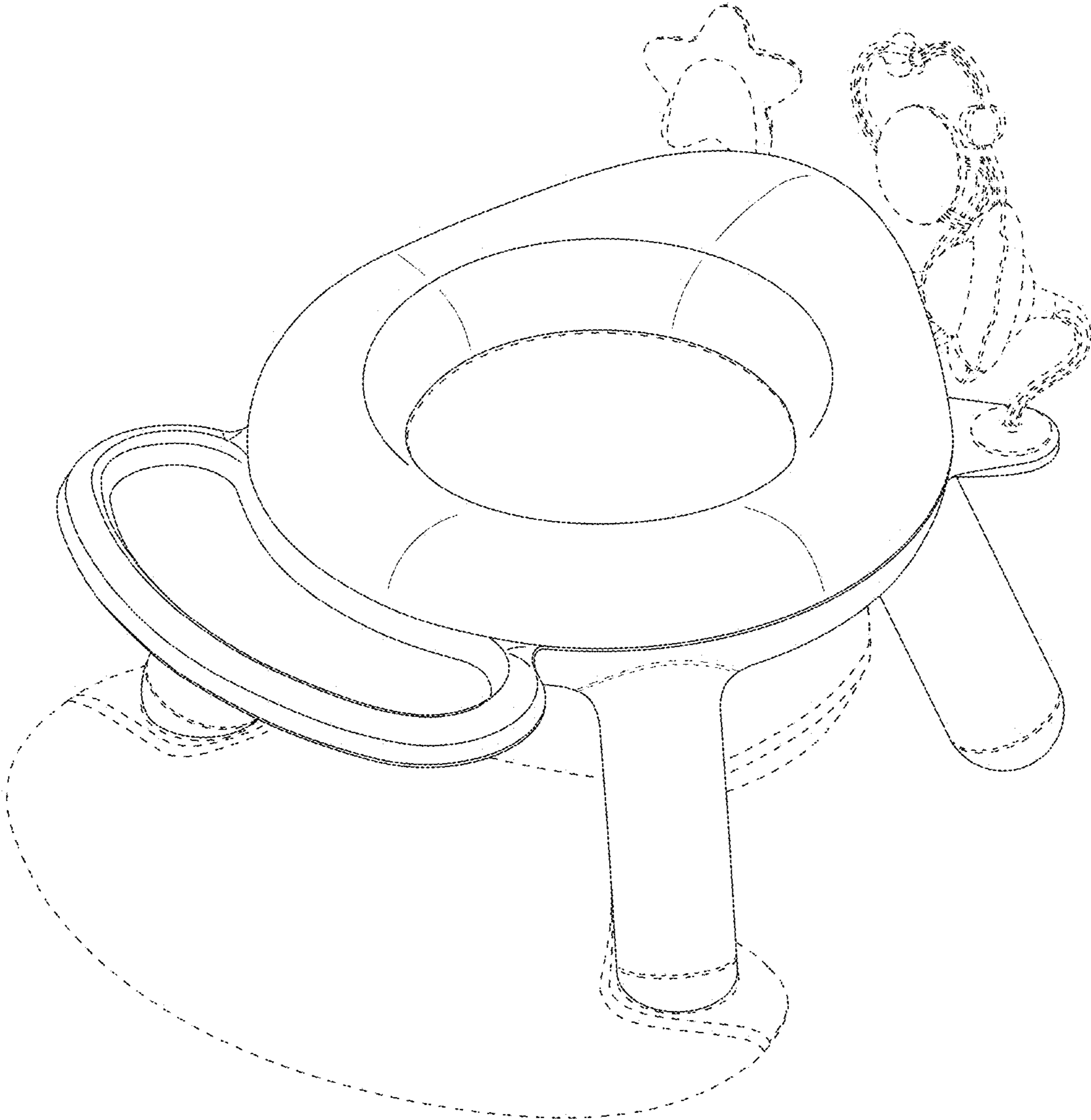


Fig. 1

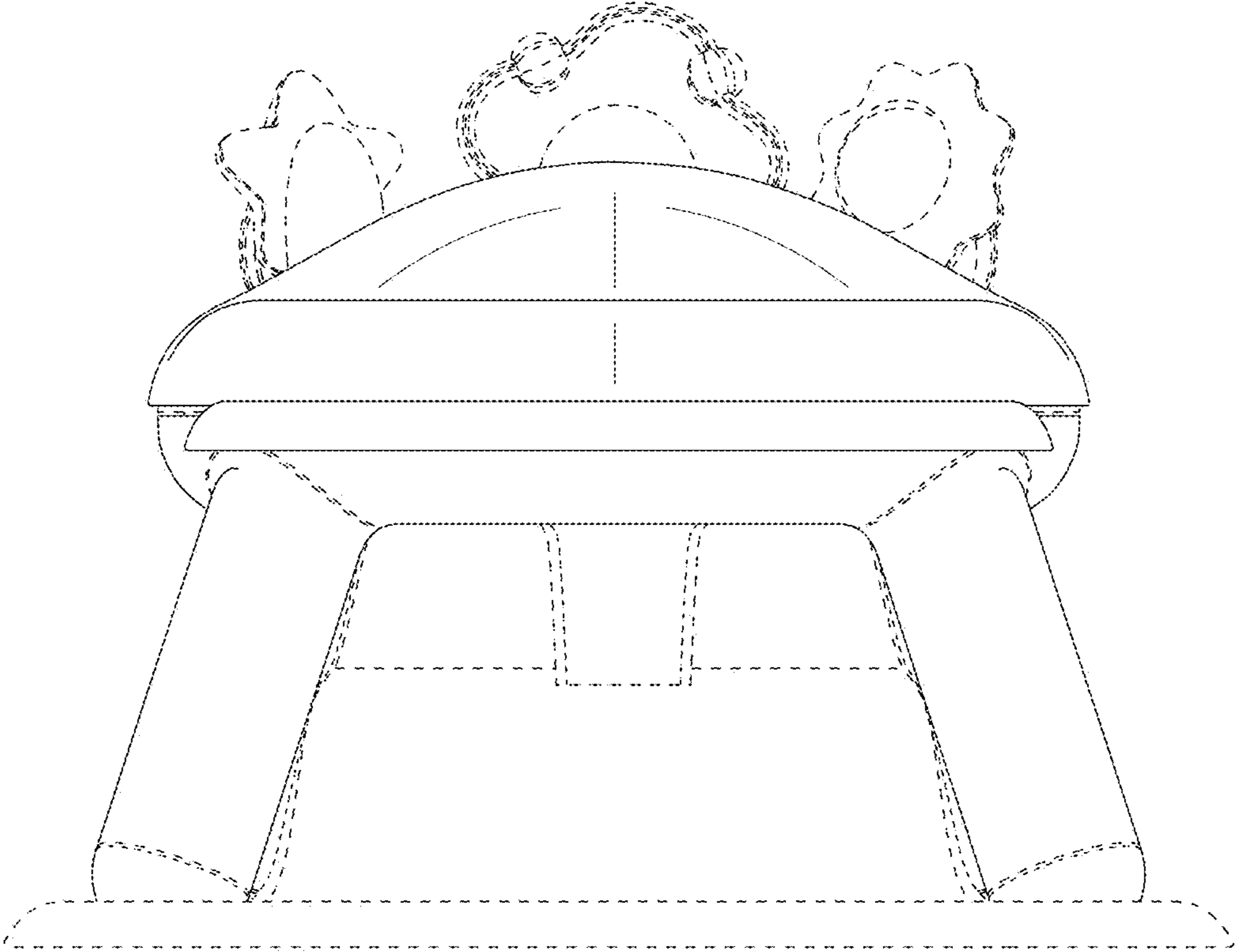


Fig. 2

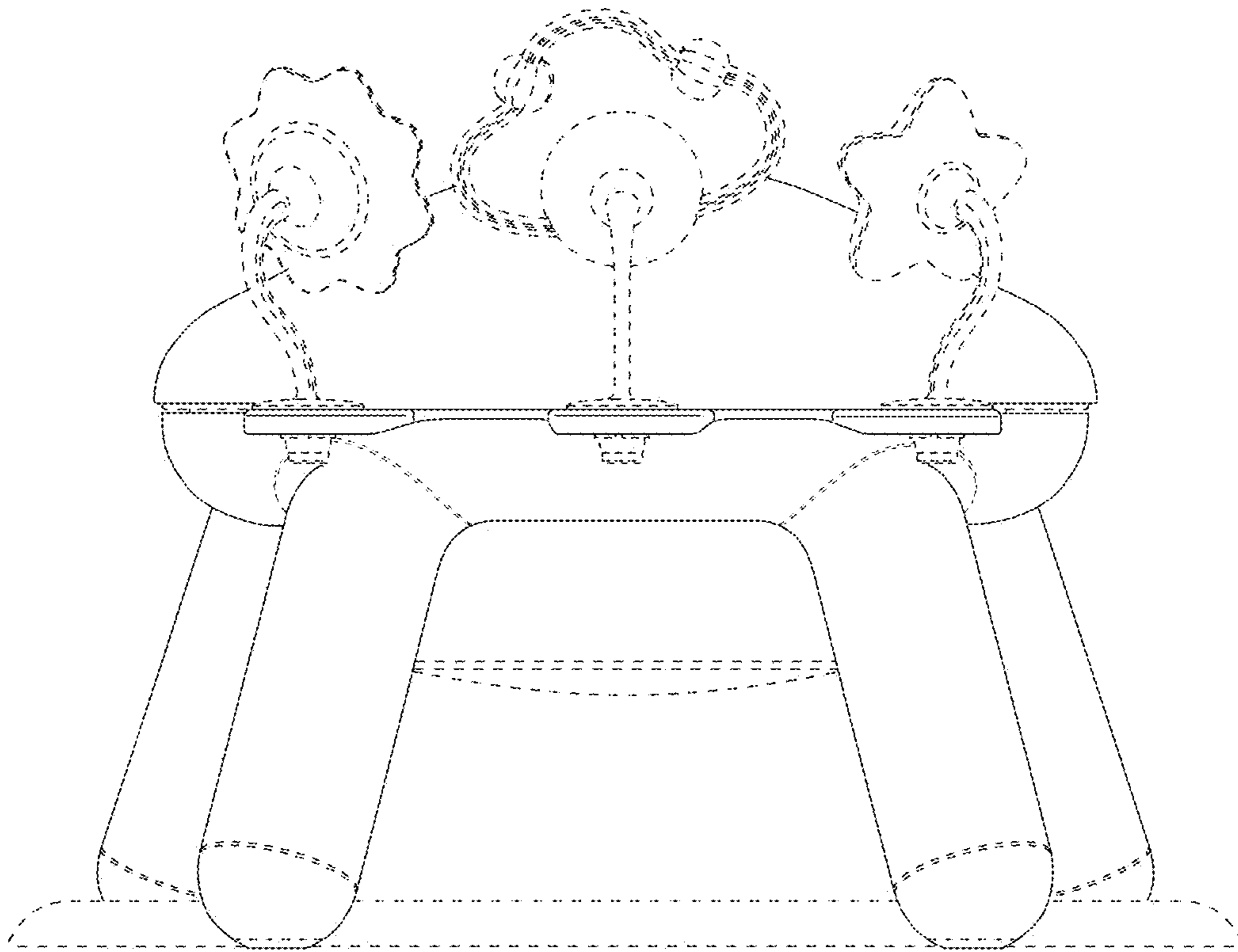


Fig. 3

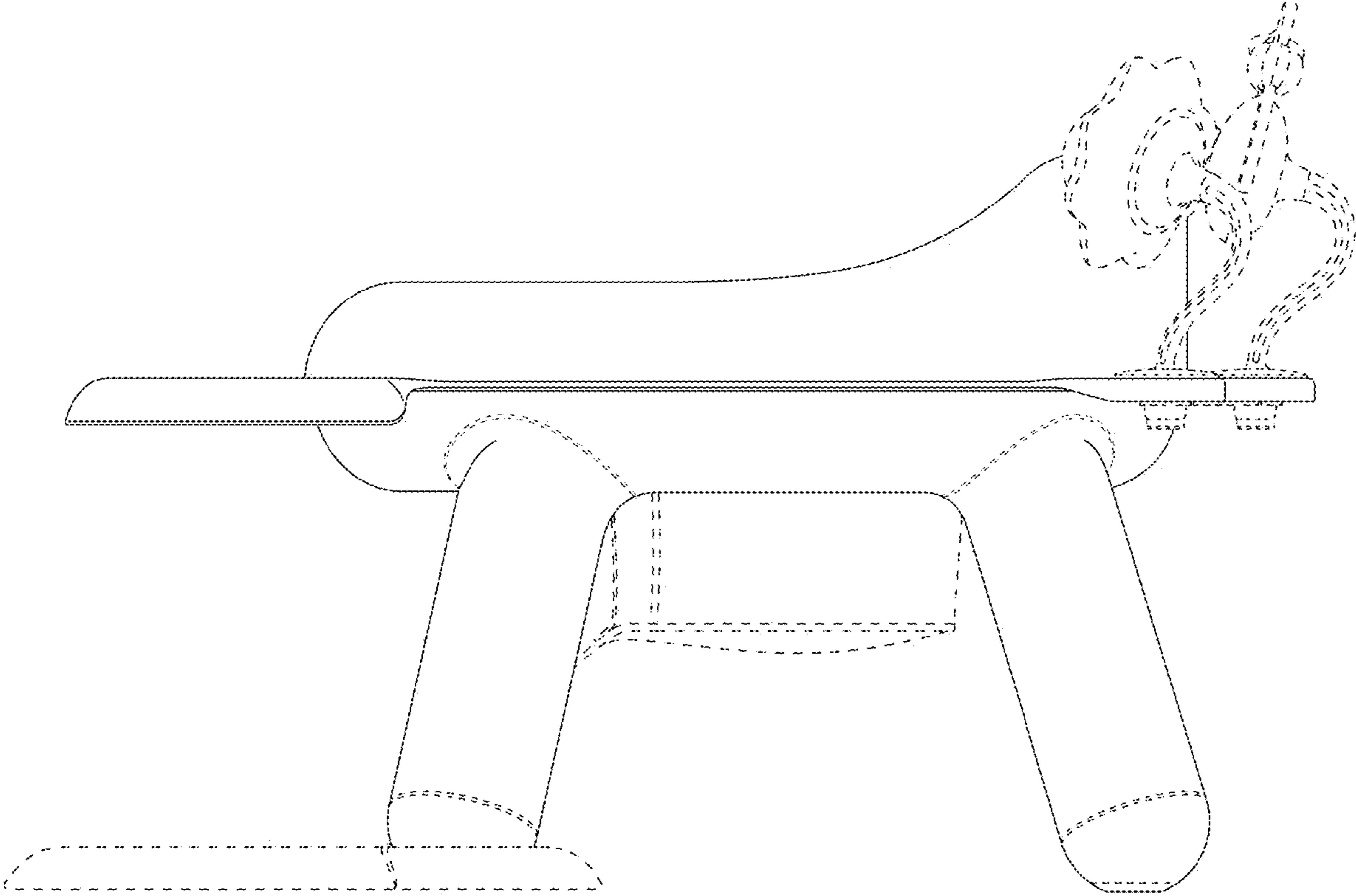


Fig. 4

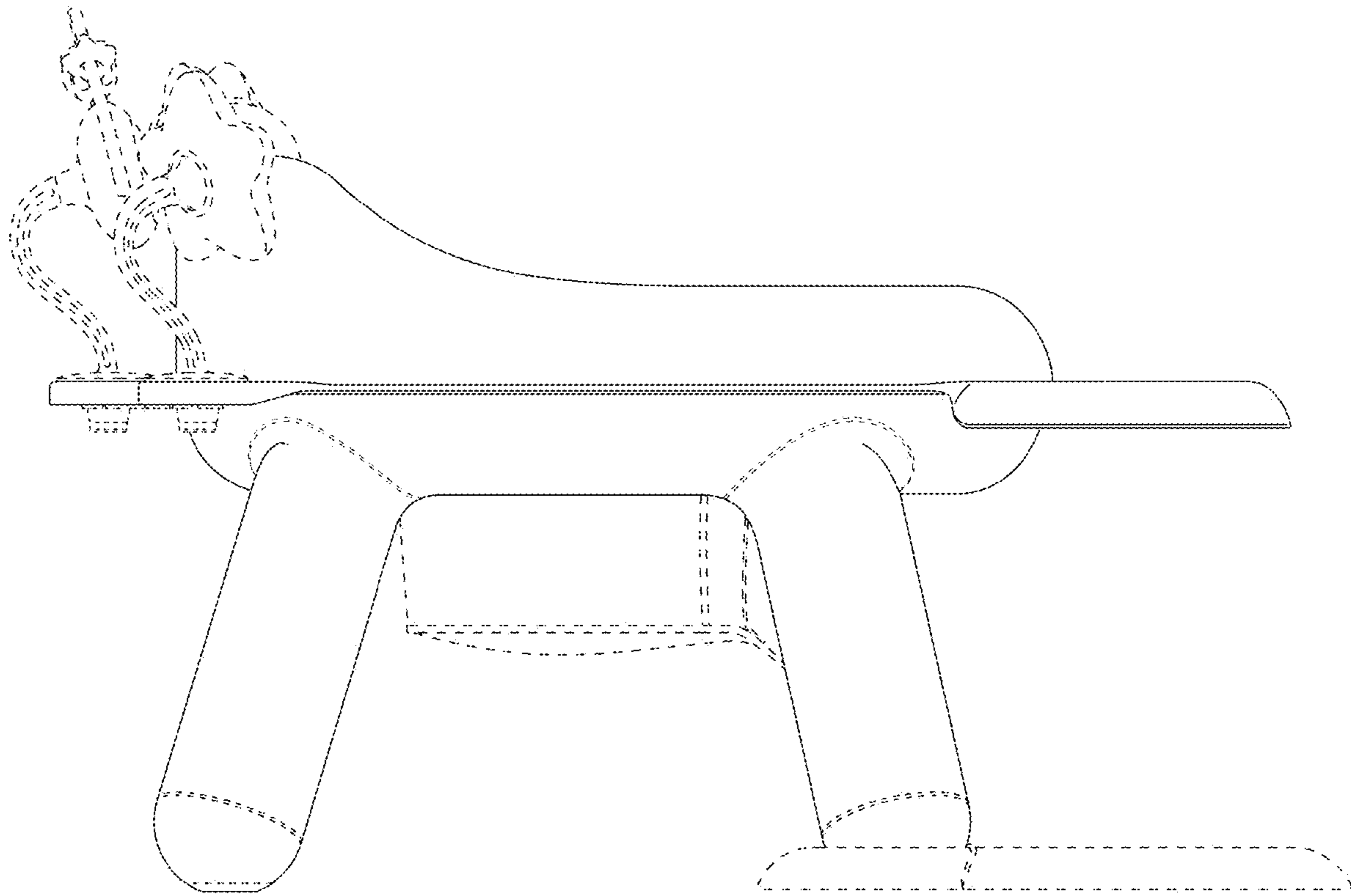


Fig. 5

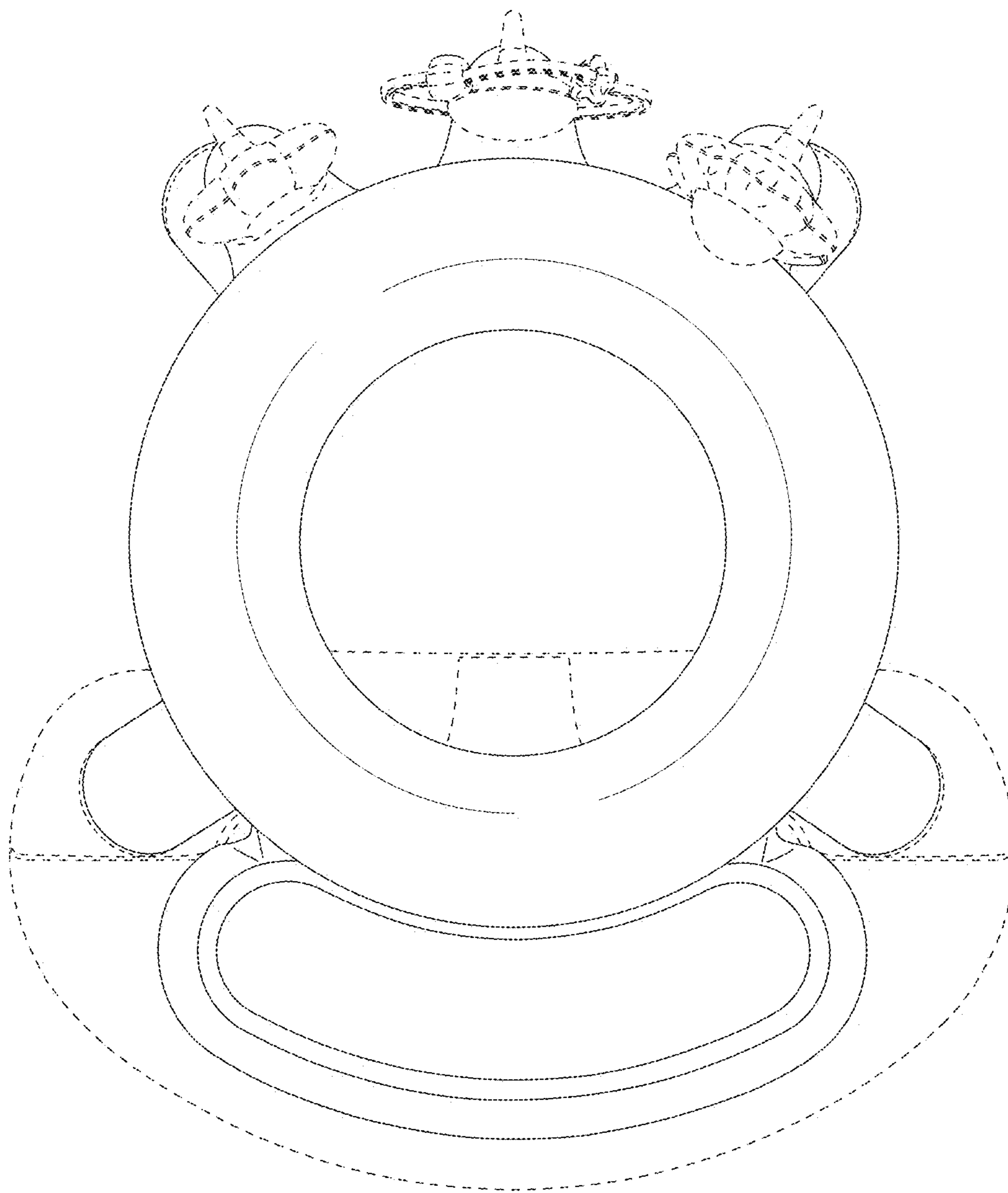


Fig. 6

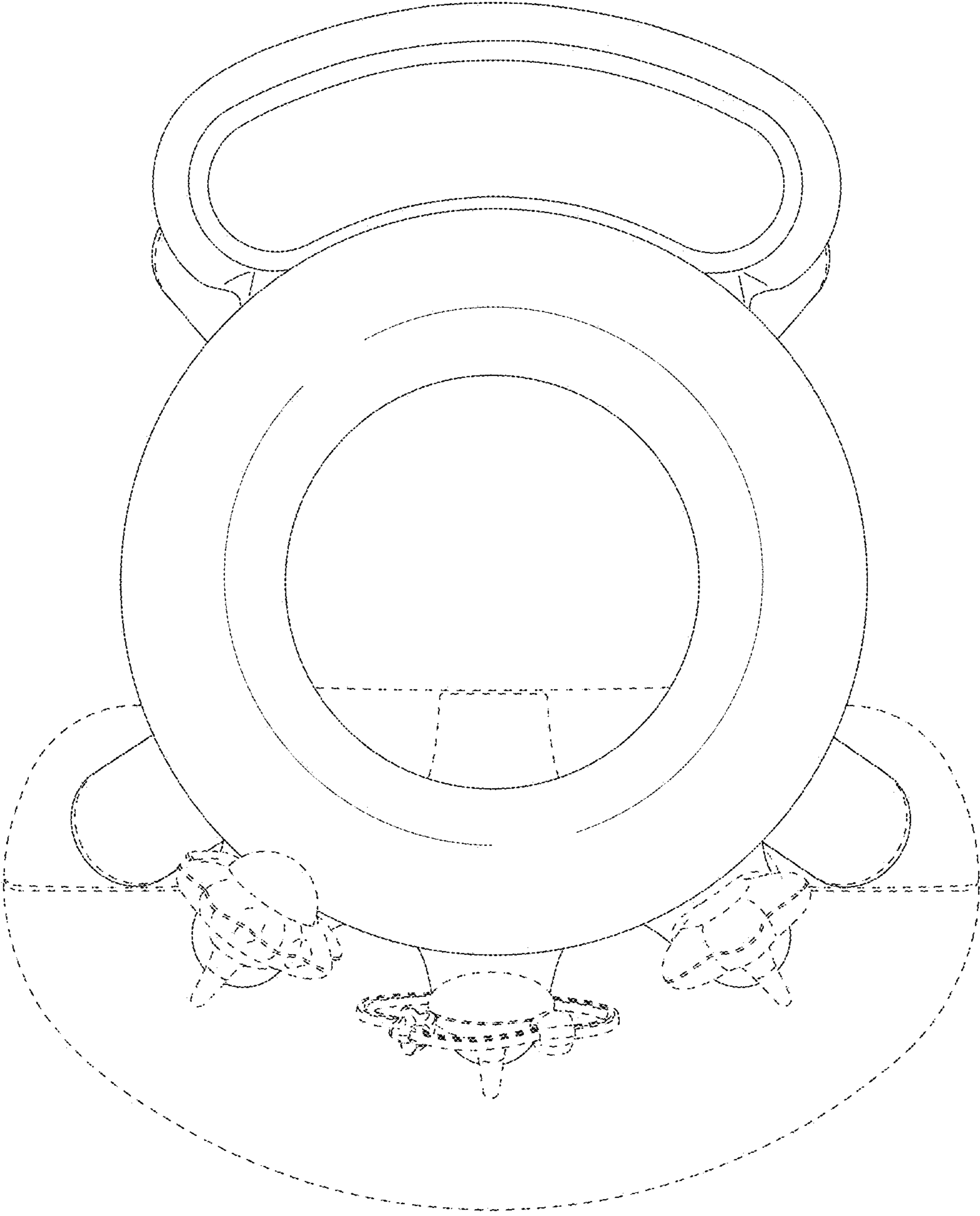


Fig. 7