



US00D896355S

(12) **United States Design Patent**
Bucher

(10) **Patent No.:** **US D896,355 S**

(45) **Date of Patent:** **** Sep. 15, 2020**

- (54) **SINK**
- (71) Applicant: **AS America, Inc.**, Piscataway, NJ (US)
- (72) Inventor: **Christophe Bucher**, Hillsborough, NJ (US)
- (73) Assignee: **AS AMERICA, INC.**, Piscataway, NJ (US)
- (**) Term: **15 Years**
- (21) Appl. No.: **29/725,819**
- (22) Filed: **Feb. 27, 2020**

Related U.S. Application Data

- (63) Continuation of application No. 29/667,416, filed on Oct. 22, 2018, now Pat. No. Des. 879,923.
- (51) **LOC (12) Cl.** **23-02**
- (52) **U.S. Cl.**
USPC **D23/293.1**
- (58) **Field of Classification Search**
USPC D23/284, 293.1, 308, 285–292
See application file for complete search history.

(56) **References Cited**

U.S. PATENT DOCUMENTS

- D397,415 S 8/1998 McKeone
- D475,127 S 5/2003 Svendsen et al.

- D475,771 S 6/2003 Svendsen et al.
- D476,400 S 6/2003 Singla Palacin
- D713,514 S 9/2014 Chen et al.
- D847,957 S 5/2019 Bucher et al.

Primary Examiner — Robert A Delehanty
(74) *Attorney, Agent, or Firm* — Morgan, Lewis & Bockius LLP

(57) **CLAIM**

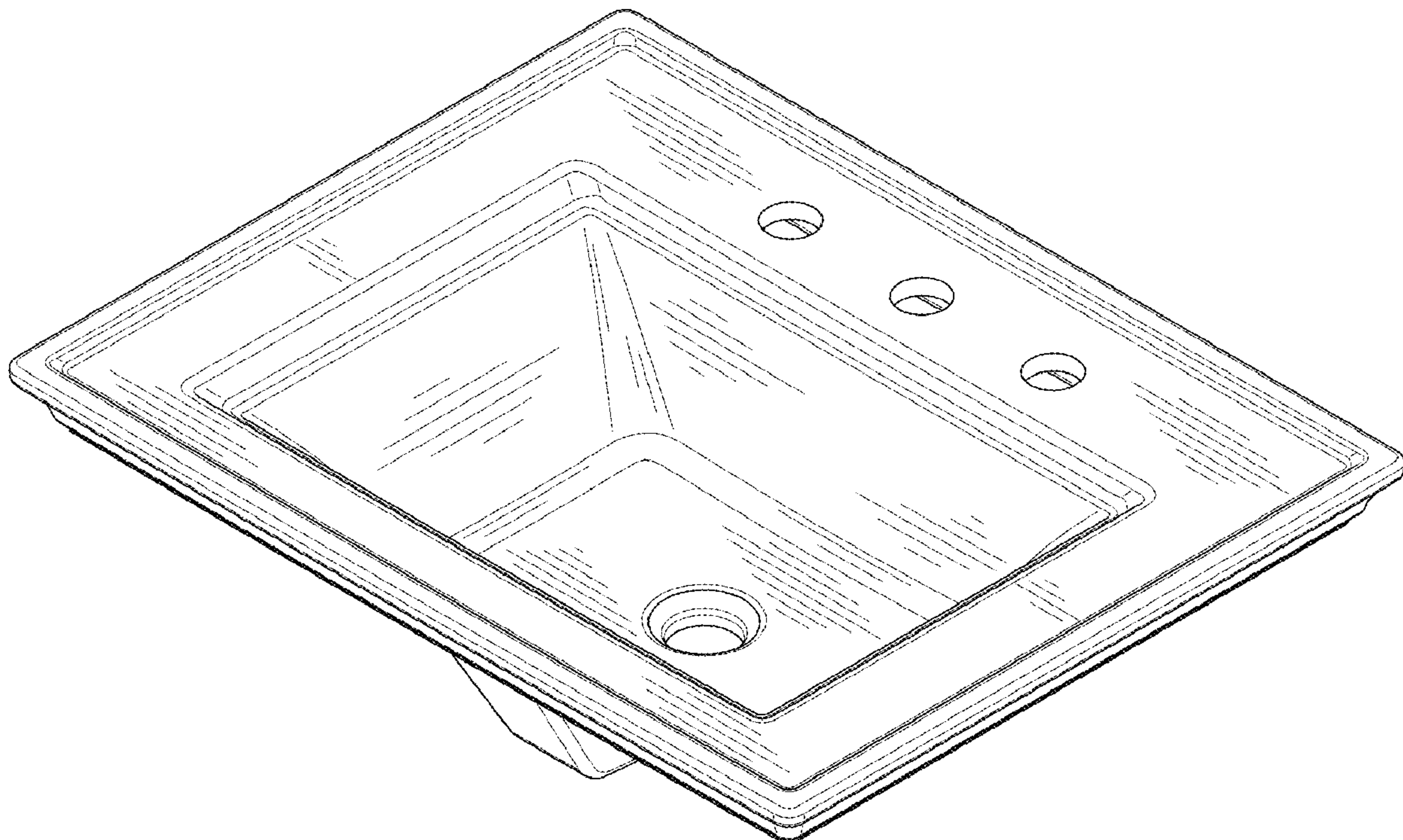
The ornamental design for a sink, as shown and described.

DESCRIPTION

FIG. 1 is a front top perspective view of a sink showing our new design;
 FIG. 2 is a rear top perspective view thereof;
 FIG. 3 is a front bottom perspective view thereof;
 FIG. 4 is a rear bottom perspective view thereof;
 FIG. 5 is a front elevational view thereof;
 FIG. 6 is a rear elevational view thereof;
 FIG. 7 is a right-side view thereof;
 FIG. 8 is a left-side view thereof;
 FIG. 9 is a top plan view thereof; and,
 FIG. 10 is a bottom plan view thereof.

The broken lines immediately adjacent the shaded areas represent the bounds of the claimed design while all other broken lines are directed to environment and are for illustrative purposes only; the broken lines form no part of the claimed design.

1 Claim, 8 Drawing Sheets



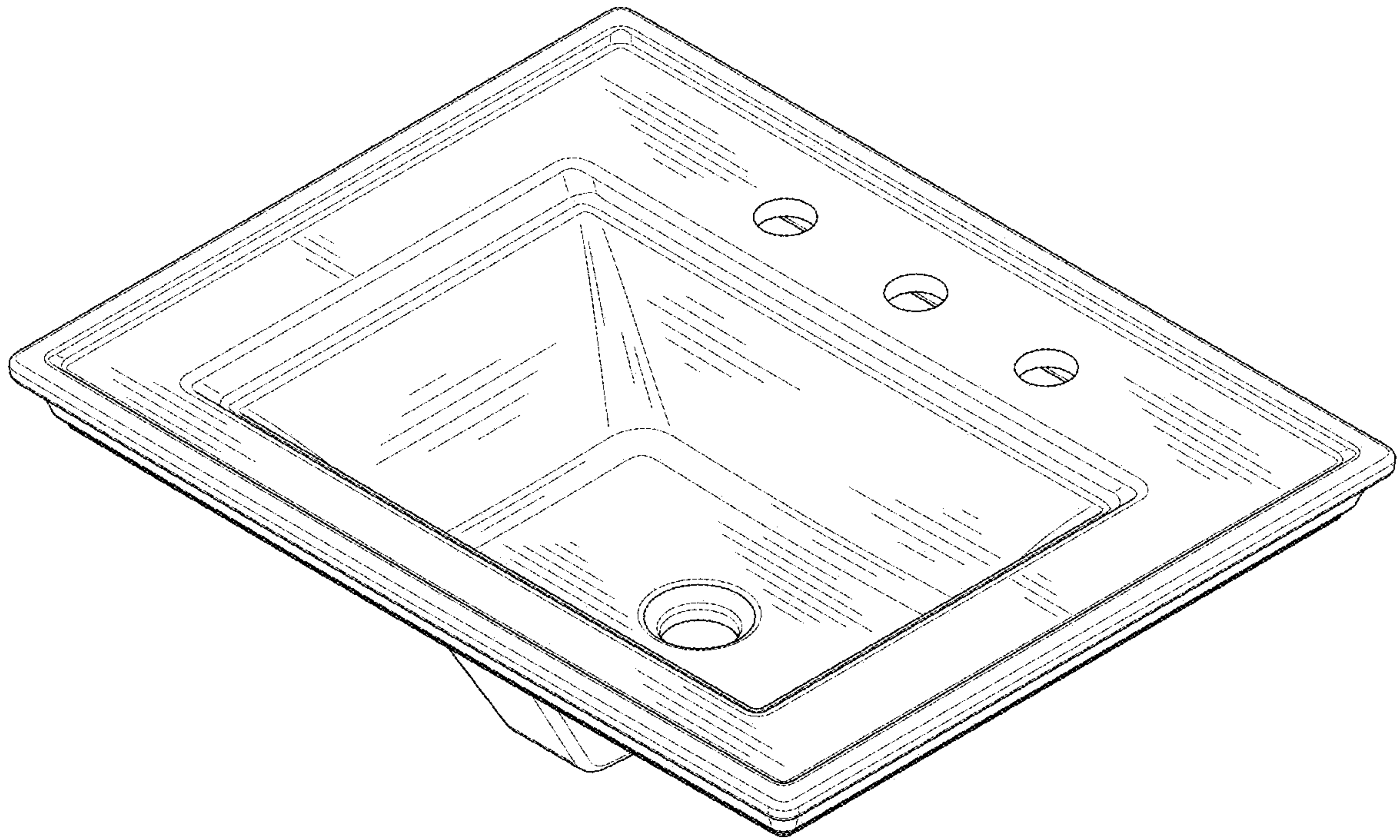


FIG. 1

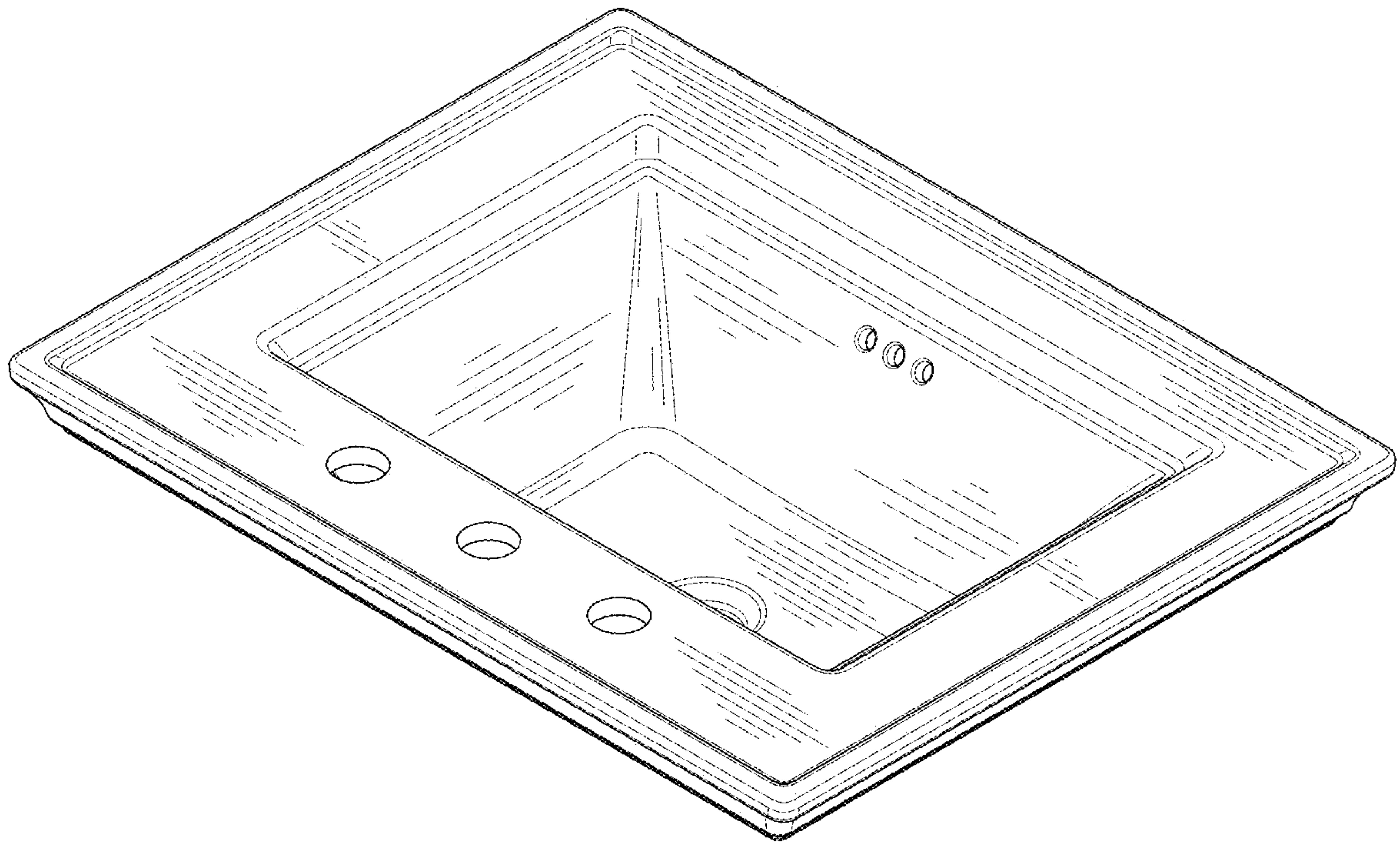


FIG. 2

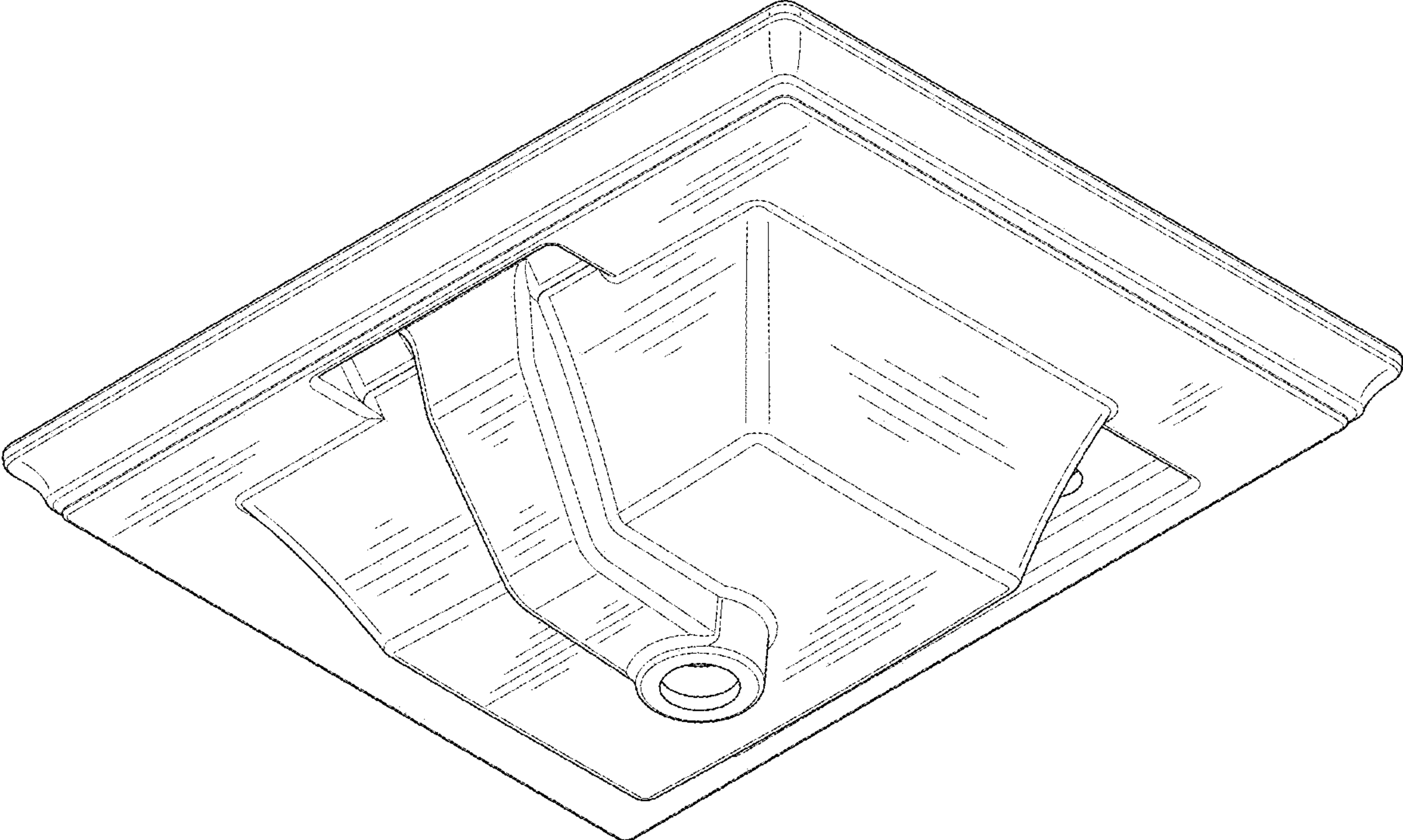


FIG. 3

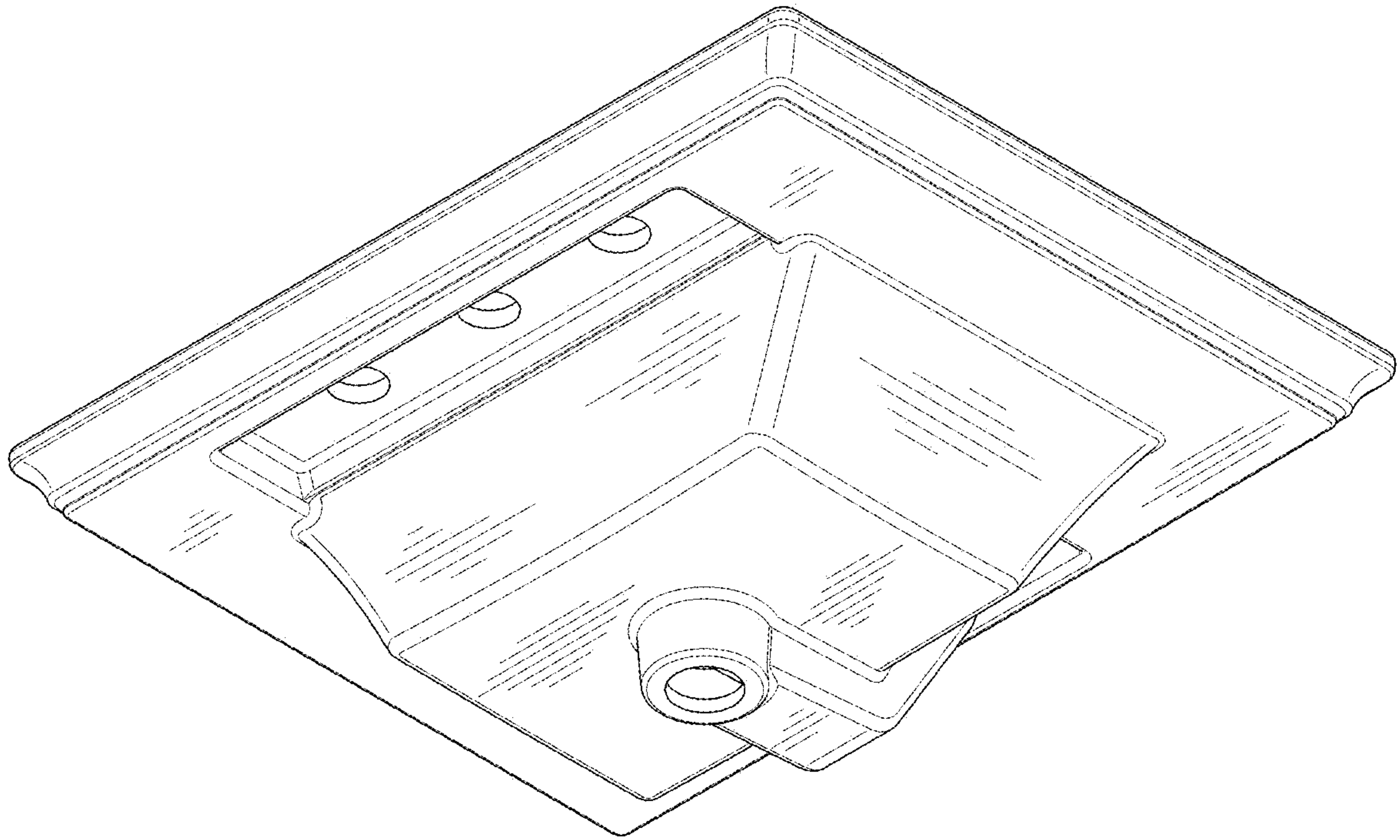


FIG. 4

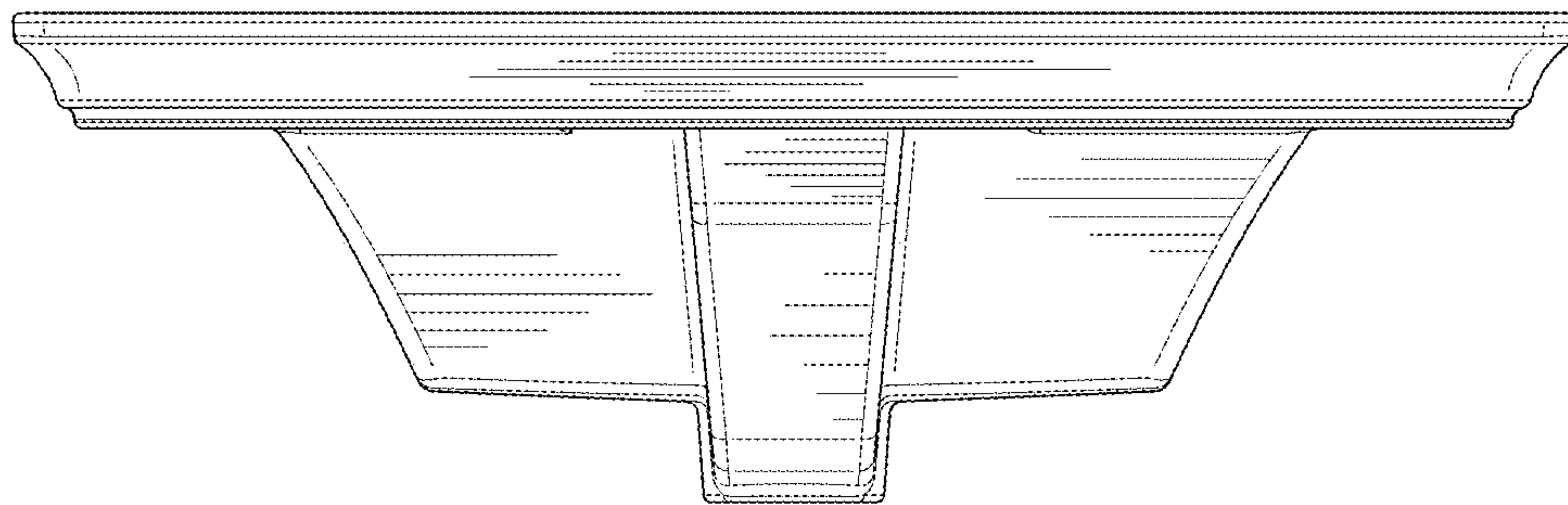


FIG. 5

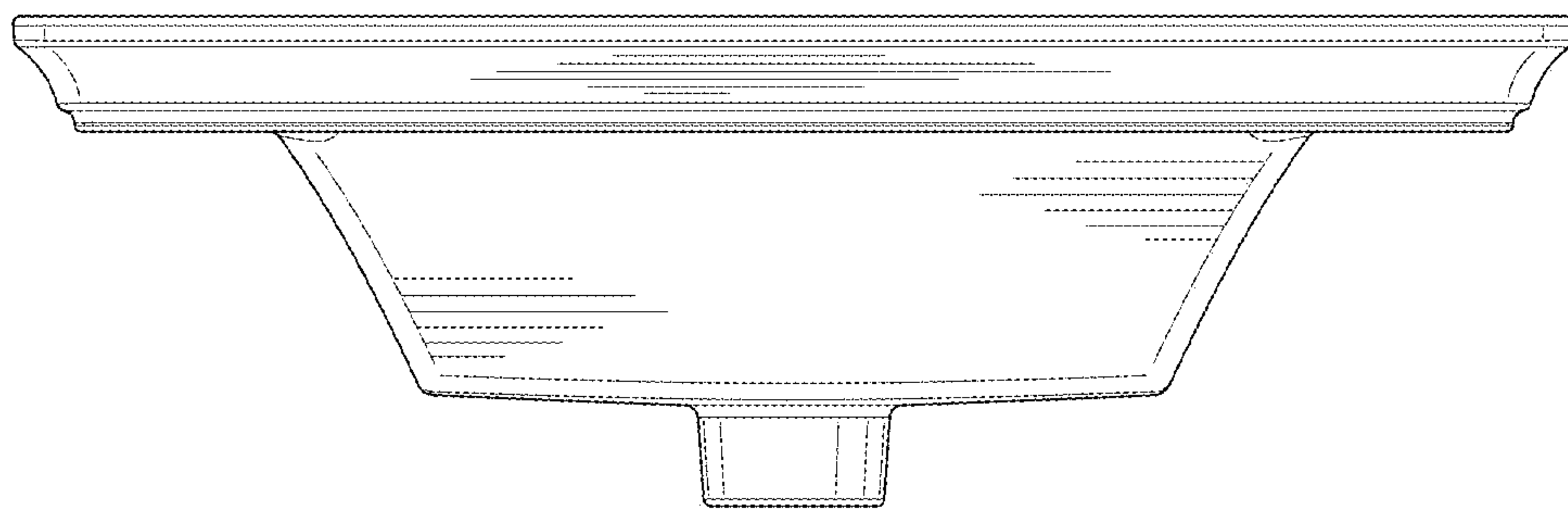


FIG. 6

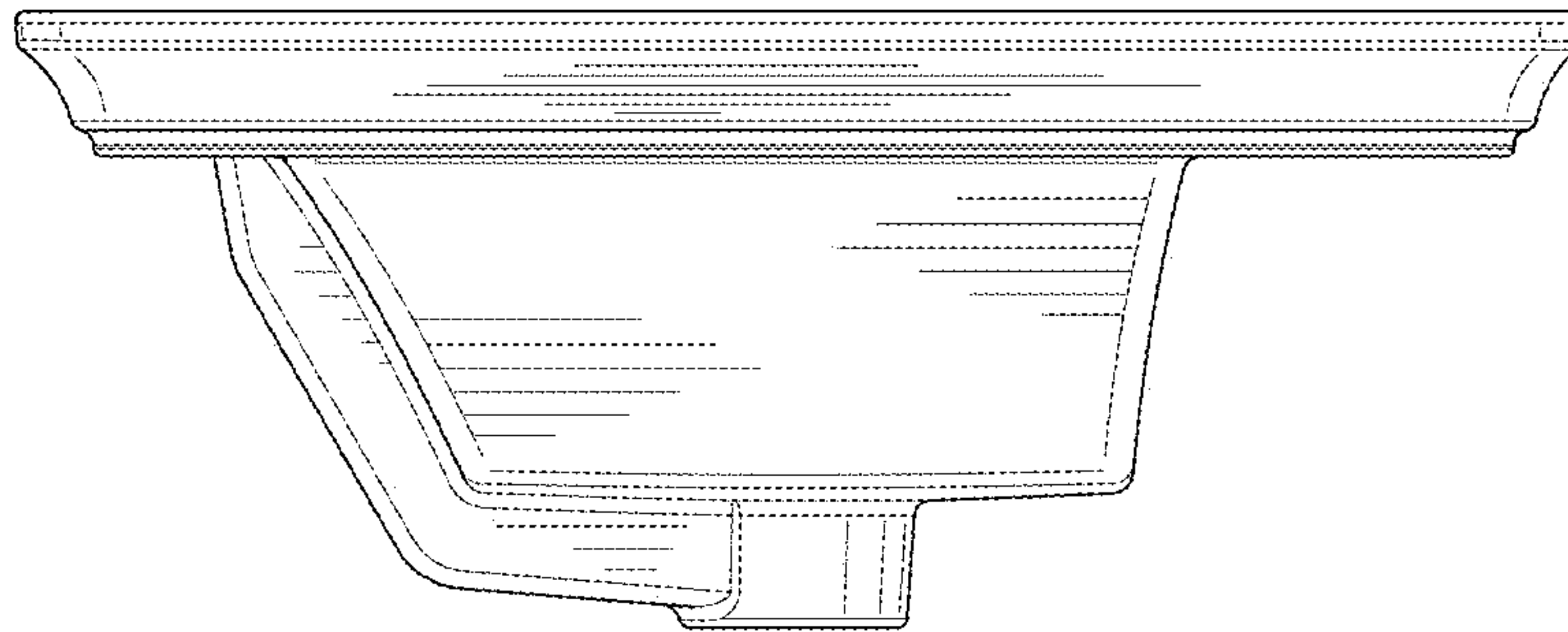


FIG. 7

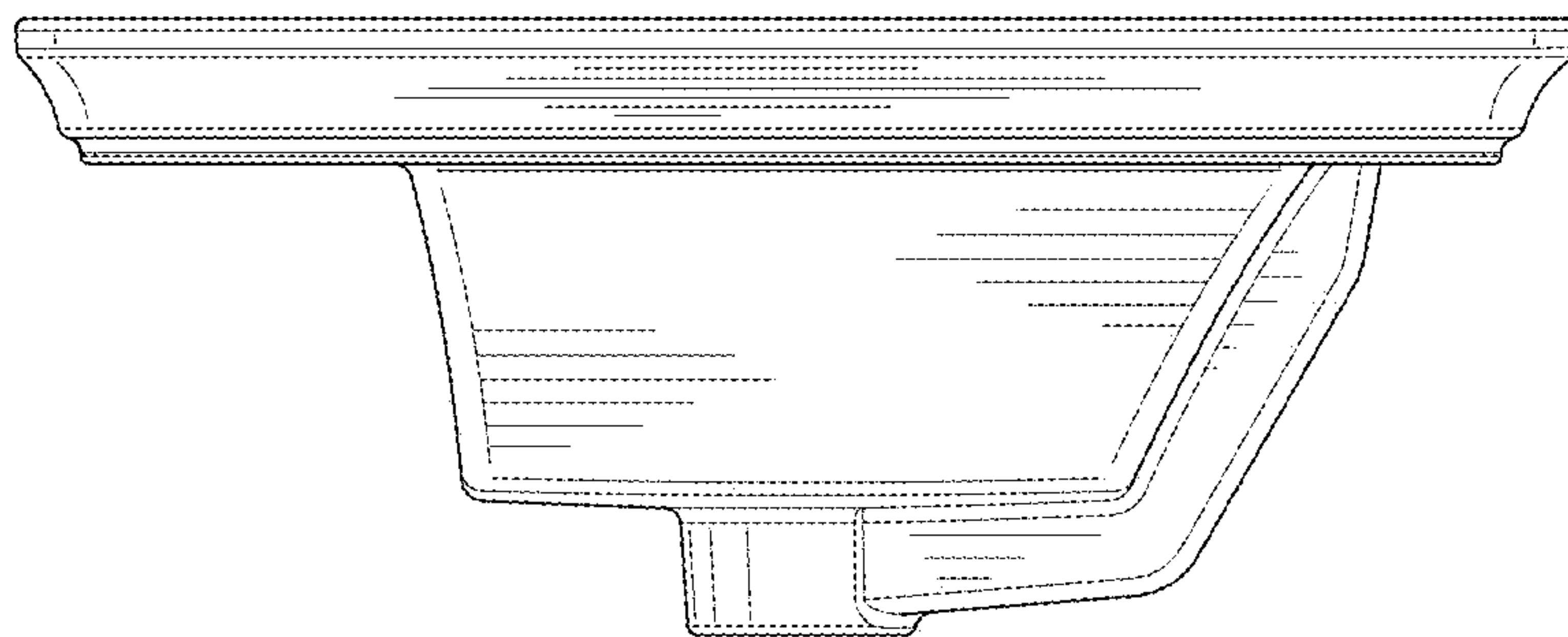


FIG. 8

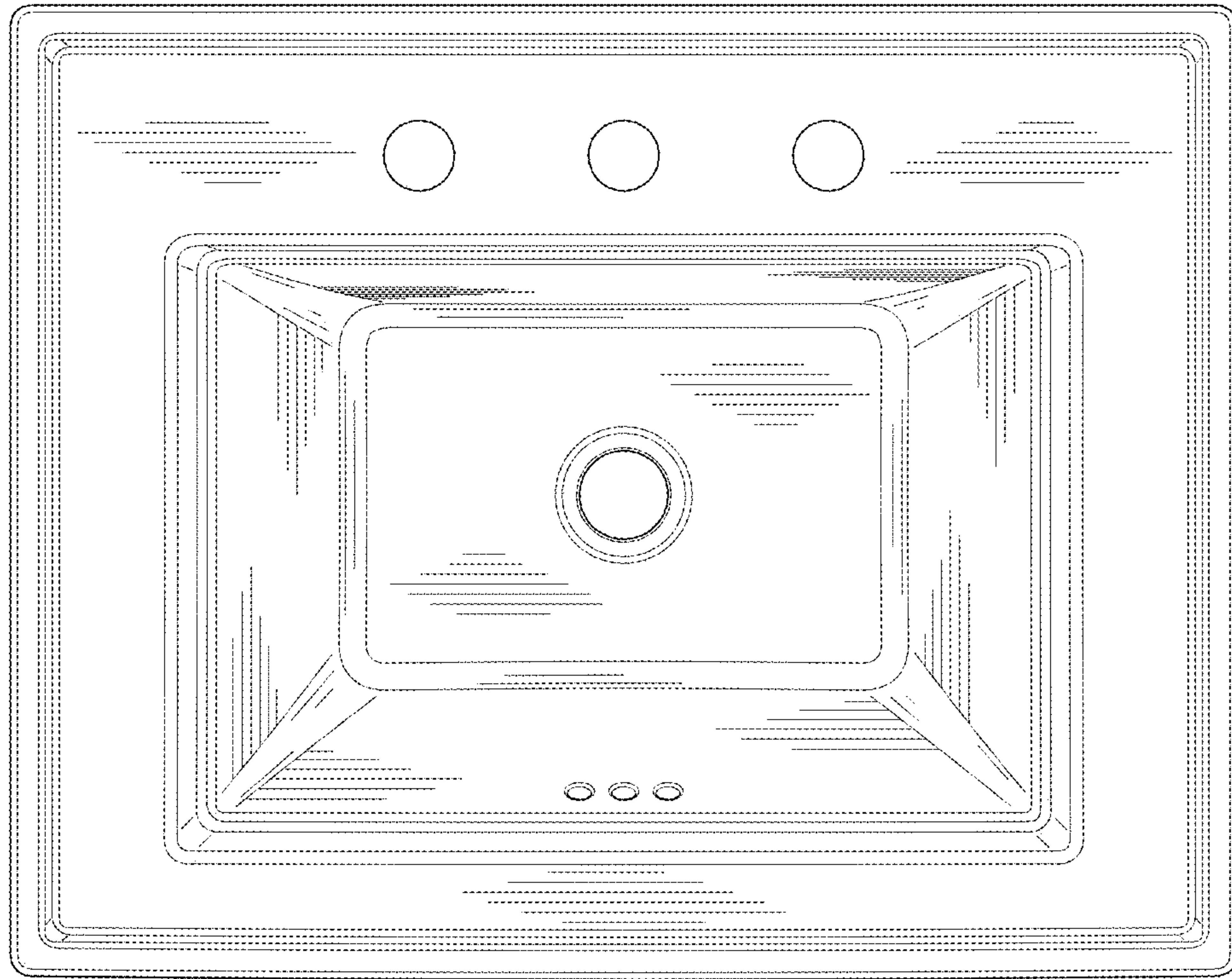


FIG. 9

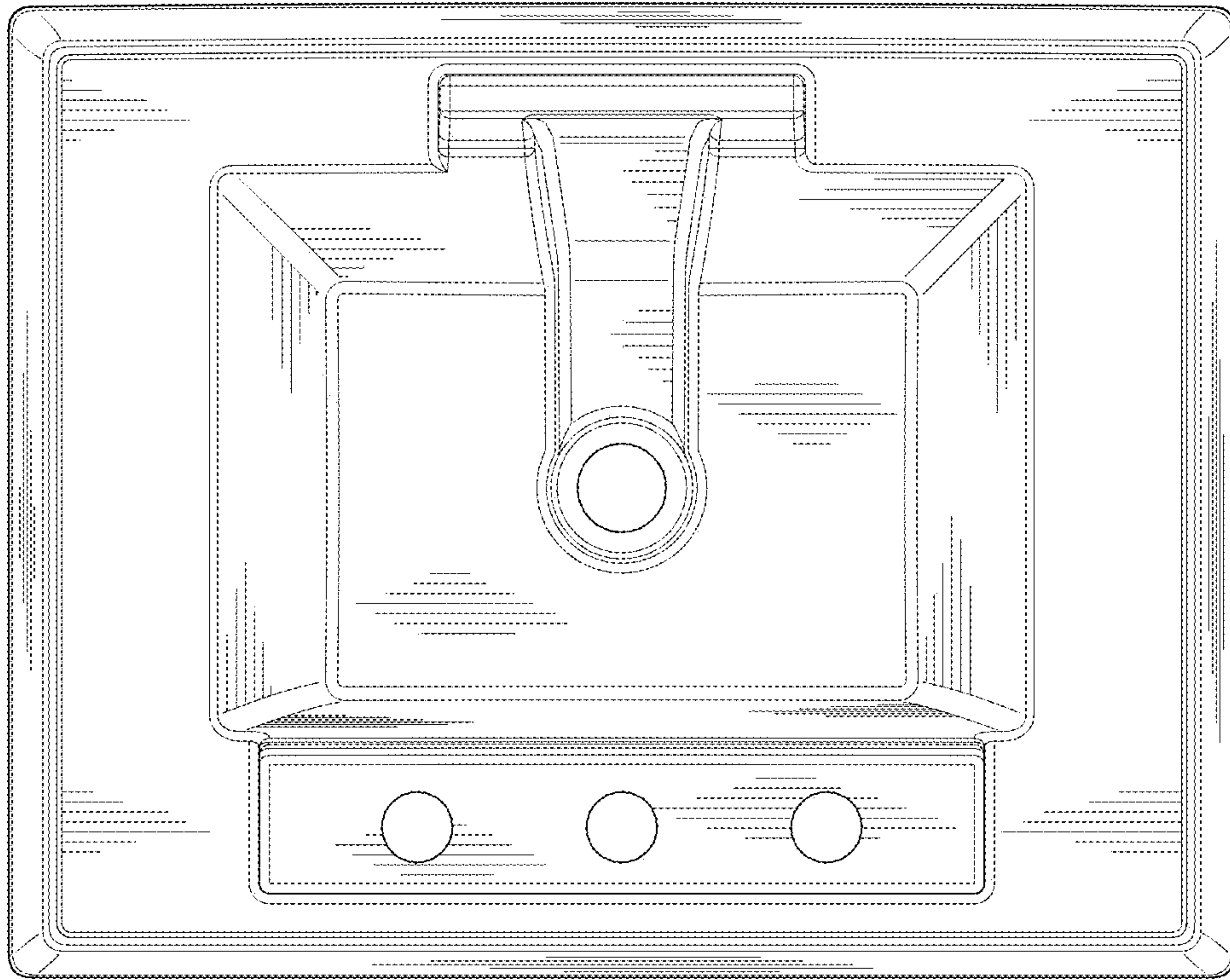


FIG. 10