



US00D896354S

(12) **United States Design Patent** (10) **Patent No.:** **US D896,354 S**
Leavitt et al. (45) **Date of Patent:** **** Sep. 15, 2020**

- (54) **WALK-IN BATHTUB**
- (71) Applicant: **AS IP Holdco, LLC**, Piscataway, NJ (US)
- (72) Inventors: **Douglas Fornell Leavitt**, Bethlehem, PA (US); **Ki Bok Song**, Astoria, NY (US); **Soonjae Kwon**, Plainview, NY (US)
- (73) Assignee: **SAFETY TUBS COMPANY, LLC**, Grand Prairie, TX (US)
- (**) Term: **15 Years**
- (21) Appl. No.: **29/649,648**
- (22) Filed: **May 31, 2018**
- (51) **LOC (12) Cl.** **23-02**
- (52) **U.S. Cl.**
USPC **D23/278**
- (58) **Field of Classification Search**
USPC ... D23/270, 271, 275, 276, 277, 279, 280.1, D23/280.2, 280.3, 280.4, 303, 304, 305, D23/307; D24/204
CPC A47K 3/00; A47K 3/001; A47K 3/002; A47K 3/003; A47K 3/004; A47K 3/005; A47K 3/006; A47K 3/02; A47K 3/022; A47K 3/04; A47K 3/062; A47K 3/122; A47K 3/125
See application file for complete search history.

- 8,549,678 B2 * 10/2013 Neidich A47K 3/006 4/538
- D716,917 S * 11/2014 Suri D23/279
- 9,375,115 B2 * 6/2016 Stafford A47K 3/006
- 9,386,887 B2 * 7/2016 Haddad A47K 3/022
- D790,047 S * 6/2017 Stafford D23/279
- D842,972 S * 3/2019 O'Brien D23/279
- 2013/0086739 A1 * 4/2013 Booth, III A47K 3/006 4/555
- 2015/0184367 A1 * 7/2015 Jin E03C 1/22 4/689

* cited by examiner

Primary Examiner — Jasmine Mlinarcik

(74) *Attorney, Agent, or Firm* — Morgan, Lewis & Bockius LLP

(57) **CLAIM**

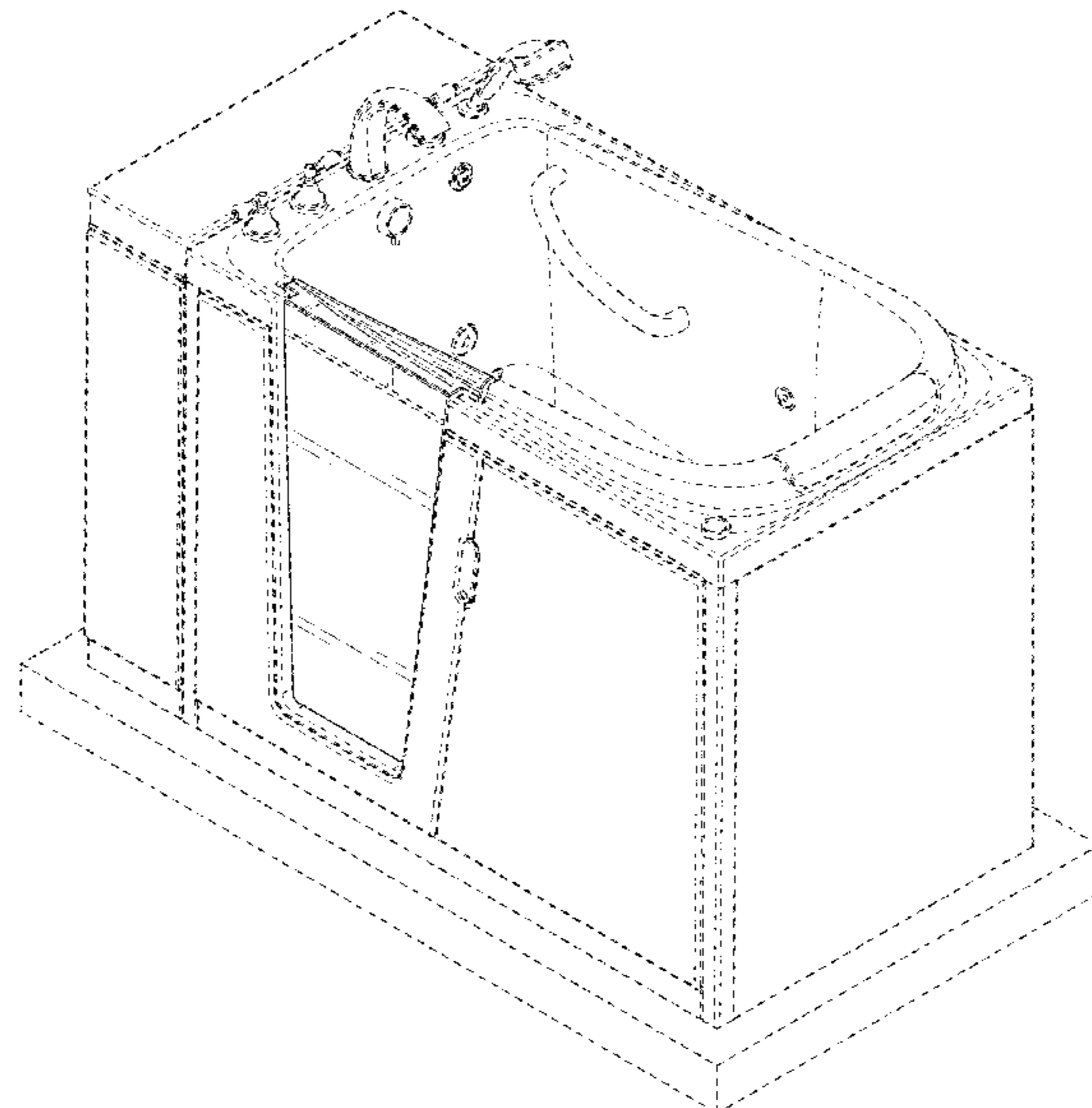
The ornamental design for a walk-in bathtub, as shown and described.

DESCRIPTION

FIG. 1 is a top, front, left-side perspective view of a walk-in bathtub showing our new design;
 FIG. 2 is a top, rear, left-side perspective view thereof;
 FIG. 3 is a top, front, left-side perspective view thereof with the door in an open configuration;
 FIG. 4 is a front elevational view of the walk-in bathtub;
 FIG. 5 is a rear elevational view thereof;
 FIG. 6 is a right-side elevational view thereof;
 FIG. 7 is a left-side elevational view thereof;
 FIG. 8 is a top plan view thereof; and,
 FIG. 9 is a bottom plan view thereof.
 The broken lines immediately adjacent to the shaded areas represent the bounds of the claimed design while all other broken lines are directed to environmental structure; the broken lines form no part of the claimed design.

1 Claim, 9 Drawing Sheets

- (56) **References Cited**
U.S. PATENT DOCUMENTS
D248,107 S * 6/1978 Brendgord D23/279
D573,700 S * 7/2008 Clarke D23/279
7,788,783 B2 * 9/2010 Neidich A47K 3/006 264/522
7,926,126 B2 * 4/2011 Whitley A47K 3/022 4/555
D686,332 S * 7/2013 Suri D24/204



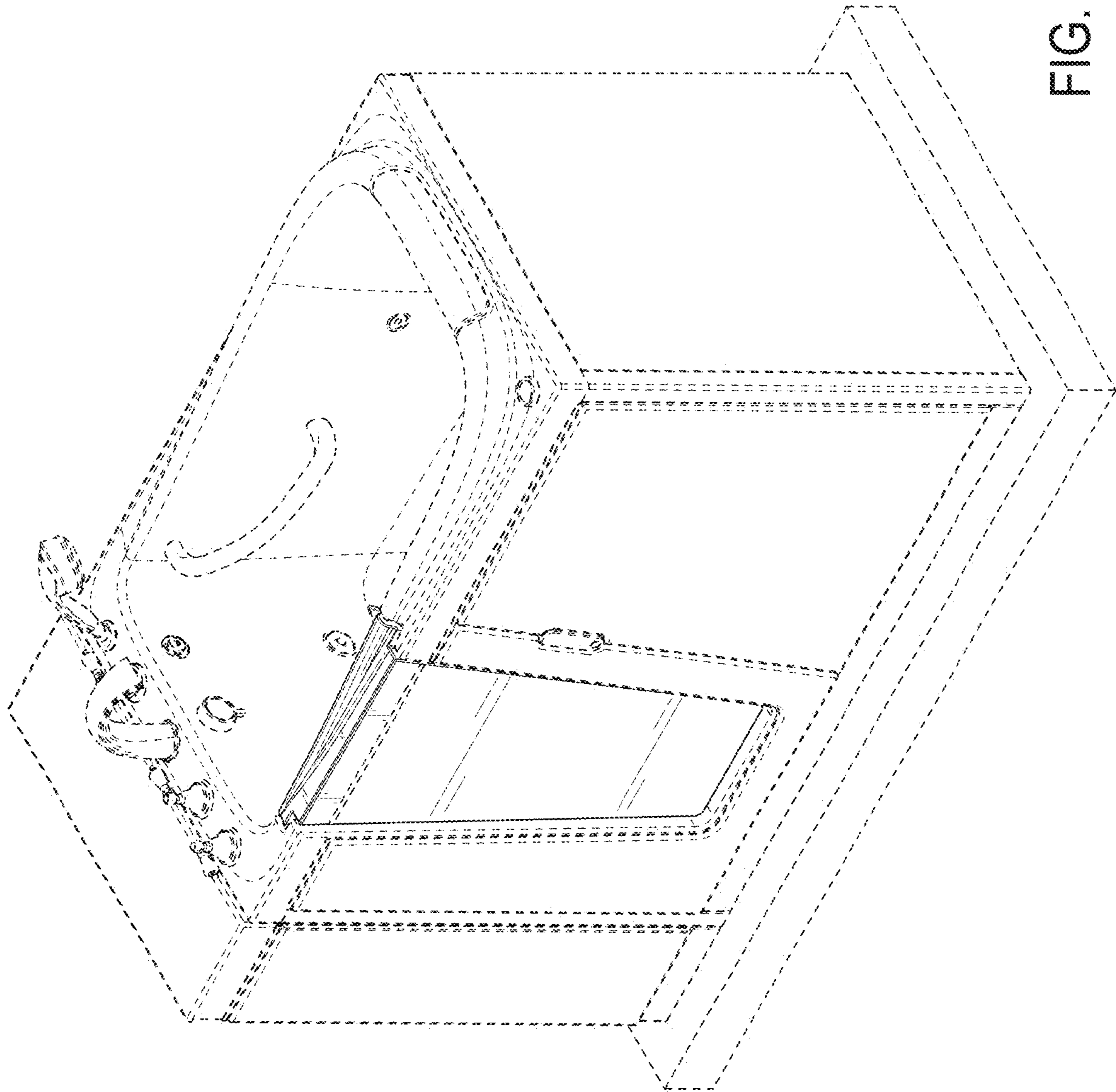


FIG. 1

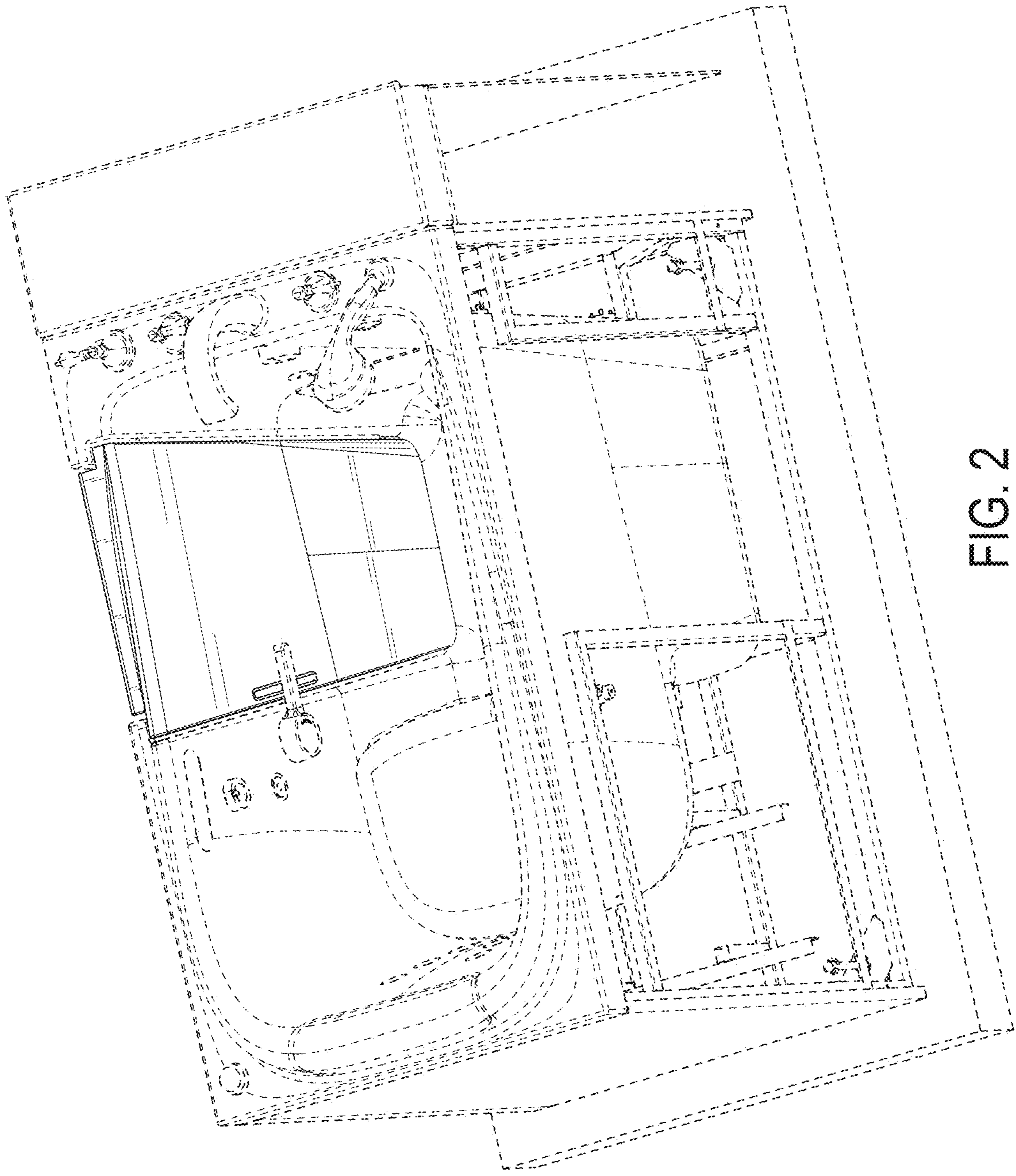


FIG. 2

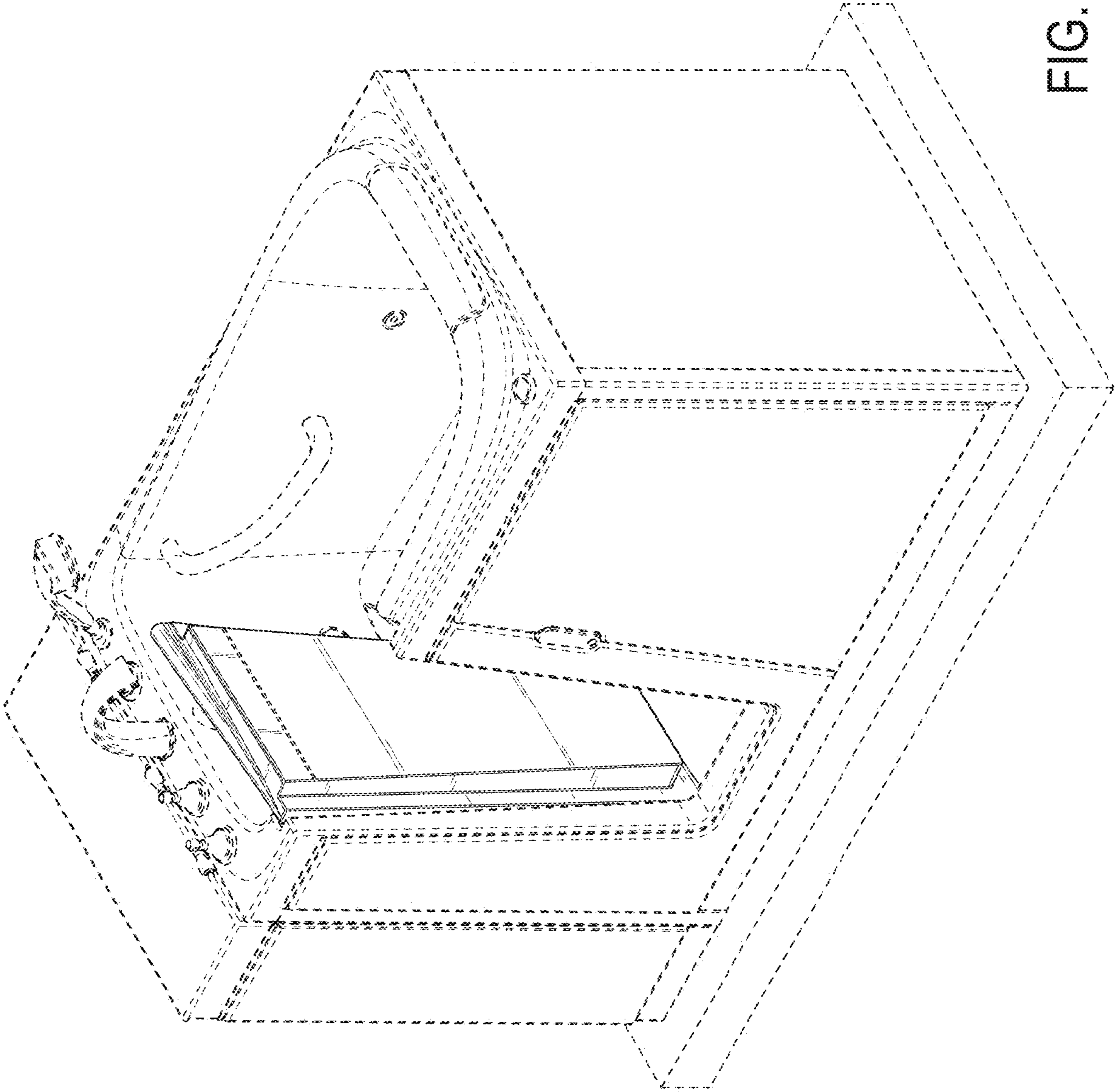


FIG. 3

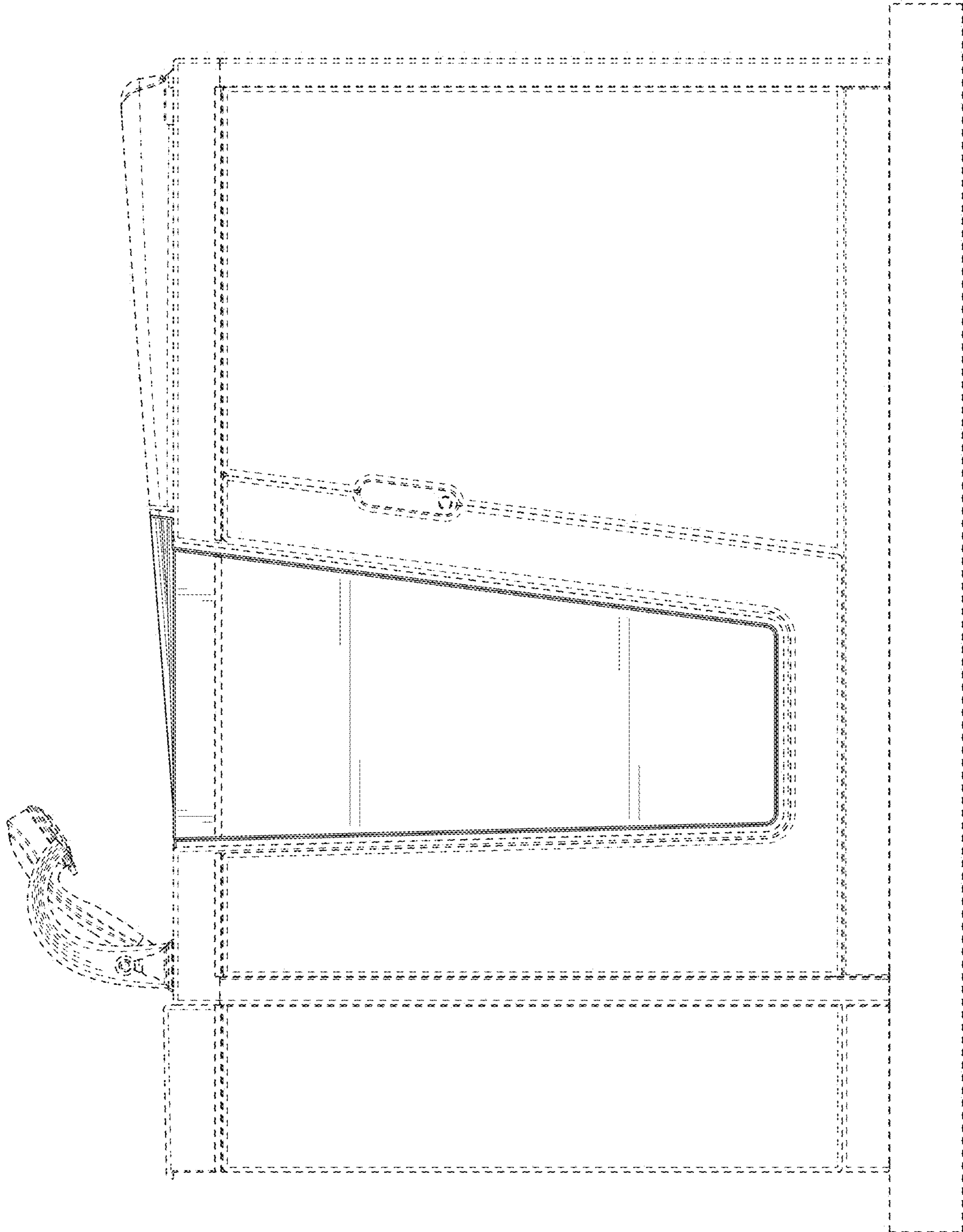


FIG. 4

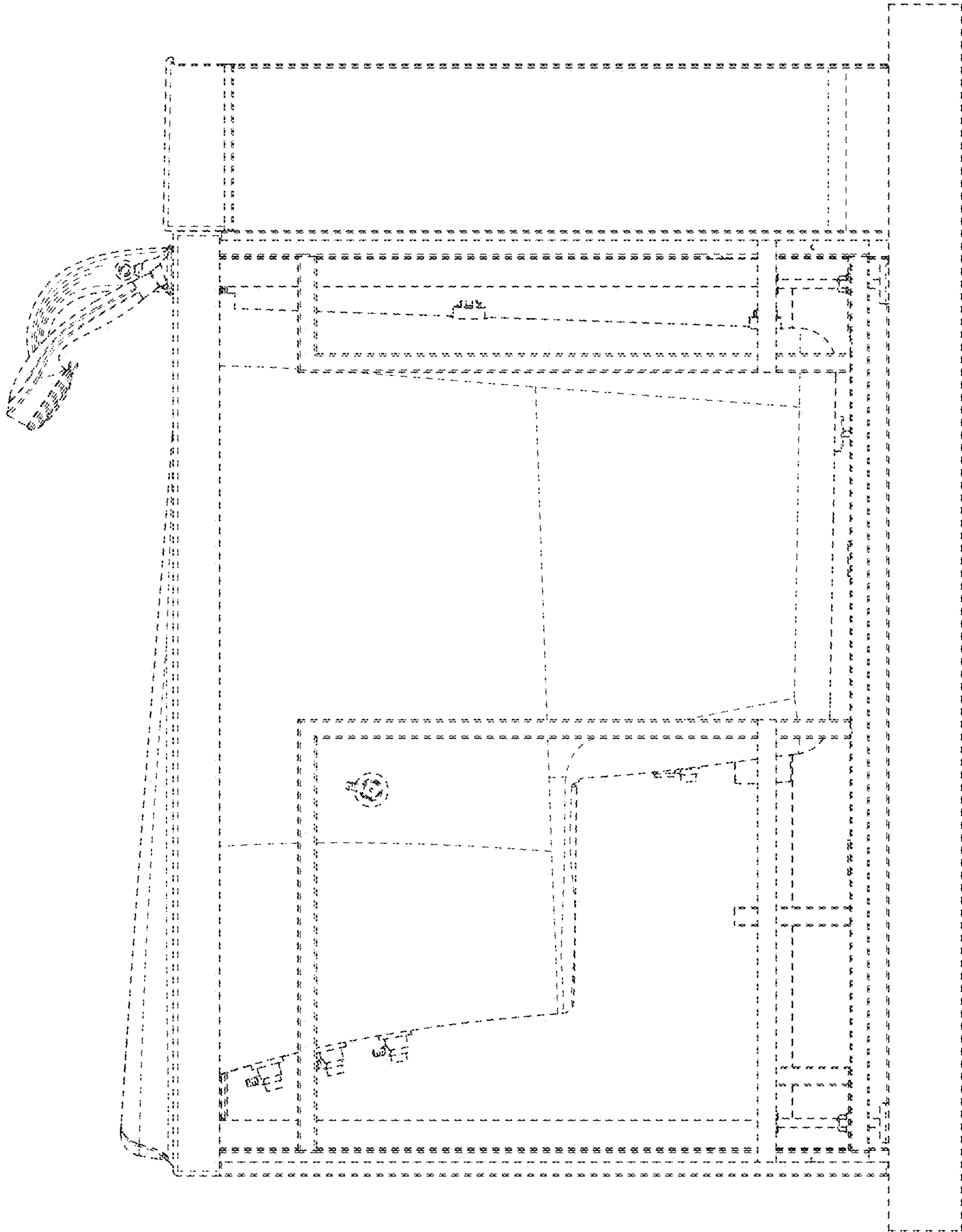


FIG. 5

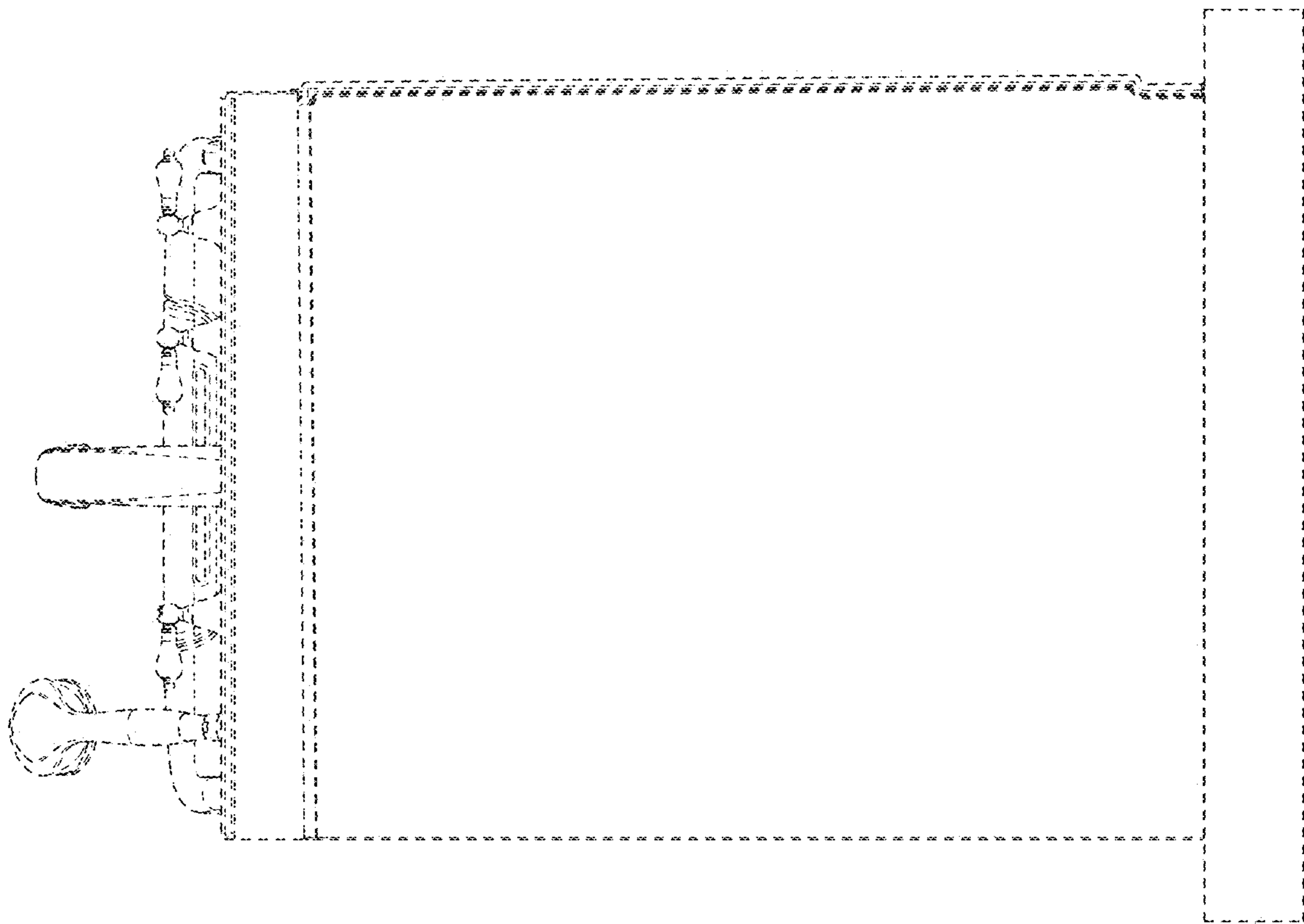


FIG. 6

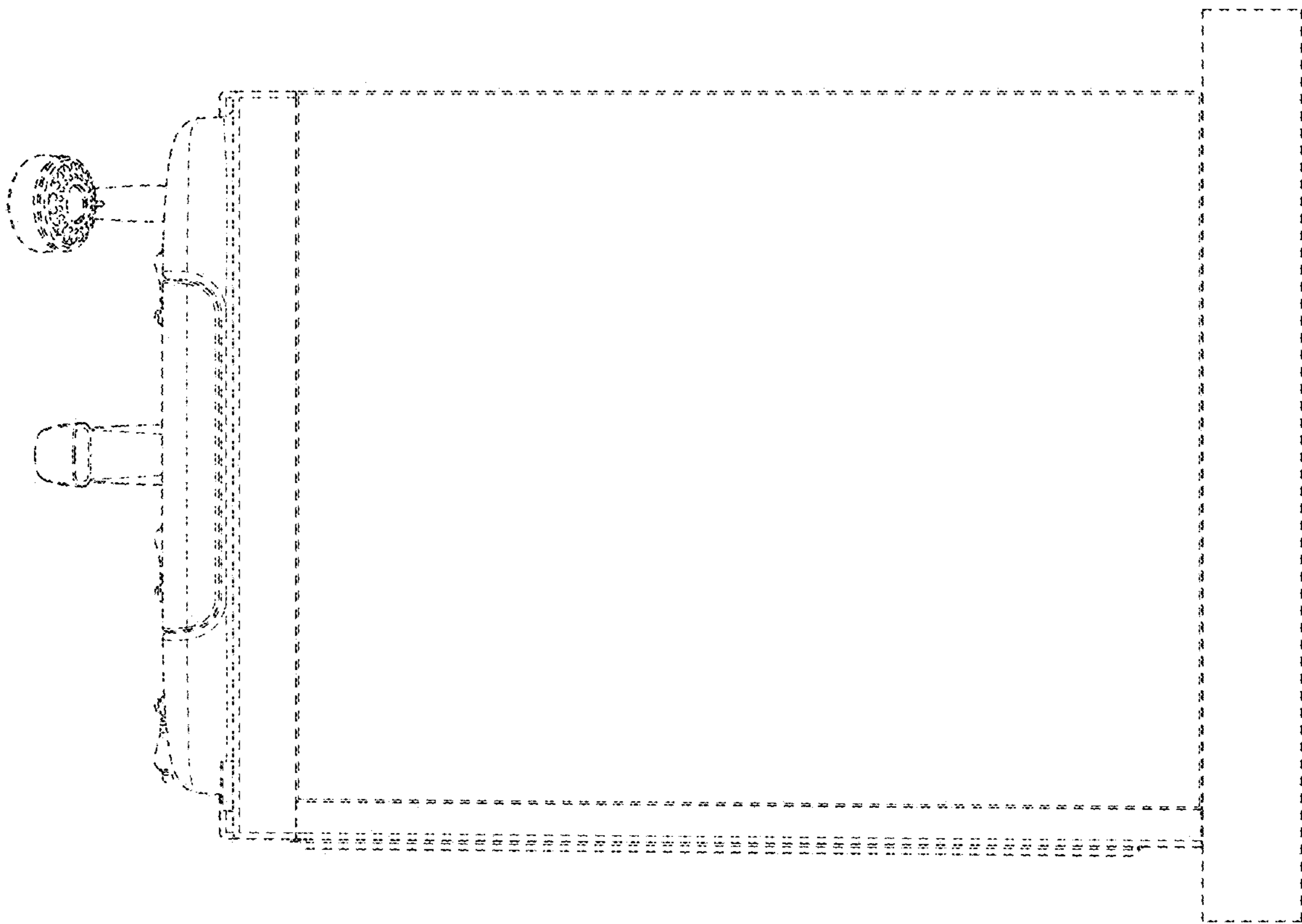


FIG. 7

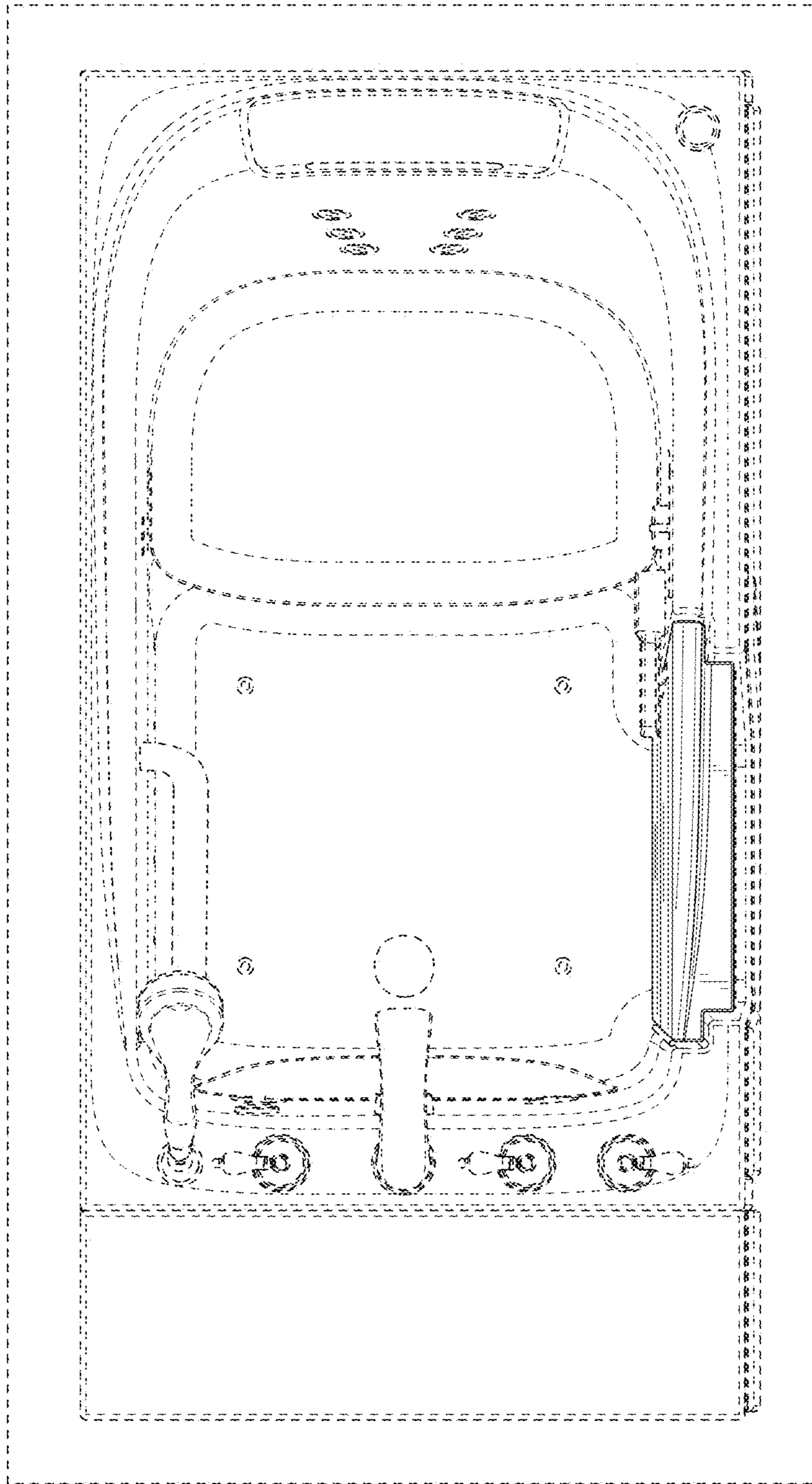


FIG. 8



FIG. 9