



US00D896351S

(12) **United States Design Patent**  
**Banks, III**

(10) **Patent No.:** **US D896,351 S**

(45) **Date of Patent:** **\*\* Sep. 15, 2020**

- (54) **AIR INTAKE COUPLING HOSE**
- (71) Applicant: **Gale C. Banks, III**, Bradbury, CA (US)
- (72) Inventor: **Gale C. Banks, III**, Bradbury, CA (US)
- (\*\*) Term: **15 Years**
- (21) Appl. No.: **29/712,582**
- (22) Filed: **Nov. 8, 2019**
- (51) **LOC (12) Cl.** ..... **23-01**
- (52) **U.S. Cl.**  
USPC ..... **D23/262**
- (58) **Field of Classification Search**  
USPC ..... D23/259, 262, 386-387, 393; 138/109;  
285/148.19, 148.22, 235, 285.1, 293.1,  
285/294.1, 305, 307  
CPC ..... B29C 45/14; F02M 9/06  
See application file for complete search history.

D756,494	S *	5/2016	Gledhill	.....	D23/262
9,440,175	B2	9/2016	Niakan et al.		
10,220,555	B2 *	3/2019	French	.....	B29D 23/003
10,316,805	B2	6/2019	Williams		
2007/0012005	A1	1/2007	Huang		
2015/0007548	A1	1/2015	Cleverley		
2015/0219261	A1 *	8/2015	Anderson	.....	F16L 21/08 285/307
2016/0123357	A1	5/2016	Oun		
2018/0045145	A1	2/2018	Williams		

\* cited by examiner

*Primary Examiner* — Amy C Wierenga

(74) *Attorney, Agent, or Firm* — Richard Batt

(56) **References Cited**

**U.S. PATENT DOCUMENTS**

4,023,831	A *	5/1977	Thompson	.....	F16L 47/18 285/31
4,066,720	A	1/1978	Carter		
D385,956	S *	11/1997	Doughty	.....	D23/259
5,891,207	A	4/1999	Katta		
D513,072	S *	12/2005	Berg	.....	D23/386
D536,436	S *	2/2007	Nishizawa	.....	D23/393
D537,520	S *	2/2007	Nishizawa	.....	D23/393
D616,966	S *	6/2010	Angell	.....	D23/262
D665,071	S *	8/2012	Goel	.....	D23/386
8,377,161	B2	2/2013	Lee		
D699,822	S *	2/2014	Beaudoin	.....	D23/267
D745,116	S *	12/2015	Lehmann	.....	D23/262
D749,702	S *	2/2016	Rohn	.....	D23/259

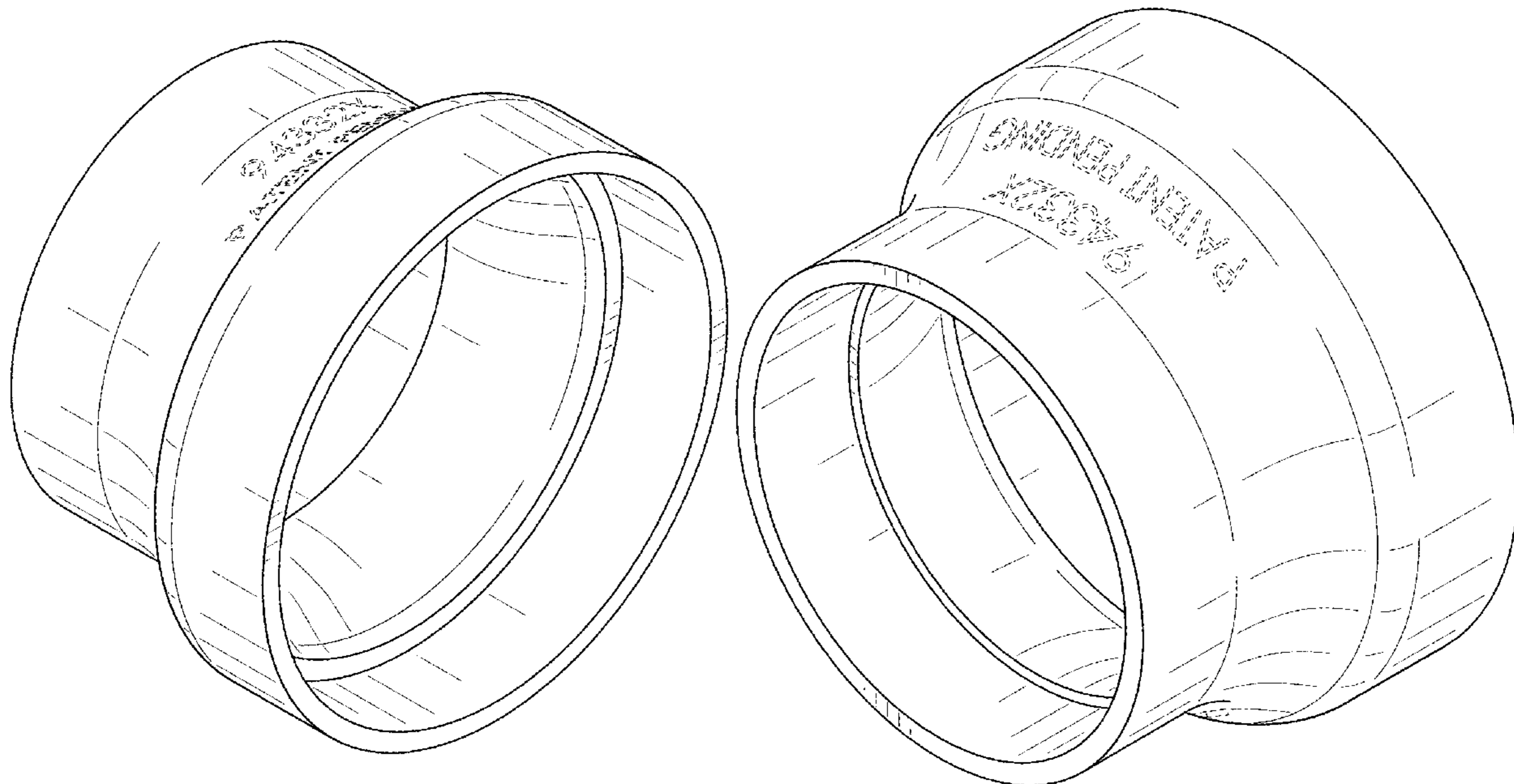
(57) **CLAIM**

The ornamental design for an air intake coupling hose, as shown and described.

**DESCRIPTION**

FIG. 1 is a bottom, side perspective view of an air intake coupling hose;  
 FIG. 2 is a top, side perspective view of the air intake coupling hose shown in FIG. 1;  
 FIG. 3 is a bottom view of the of the air intake coupling hose shown in FIG. 1;  
 FIG. 4 is a top view of the air intake coupling hose shown in FIG. 1; and,  
 FIG. 5 is a side view of the air intake coupling hose shown in FIG. 1.  
 The broken lines shown in the figures illustrate portions of the air intake coupling hose that form no part of the claimed design.

**1 Claim, 4 Drawing Sheets**



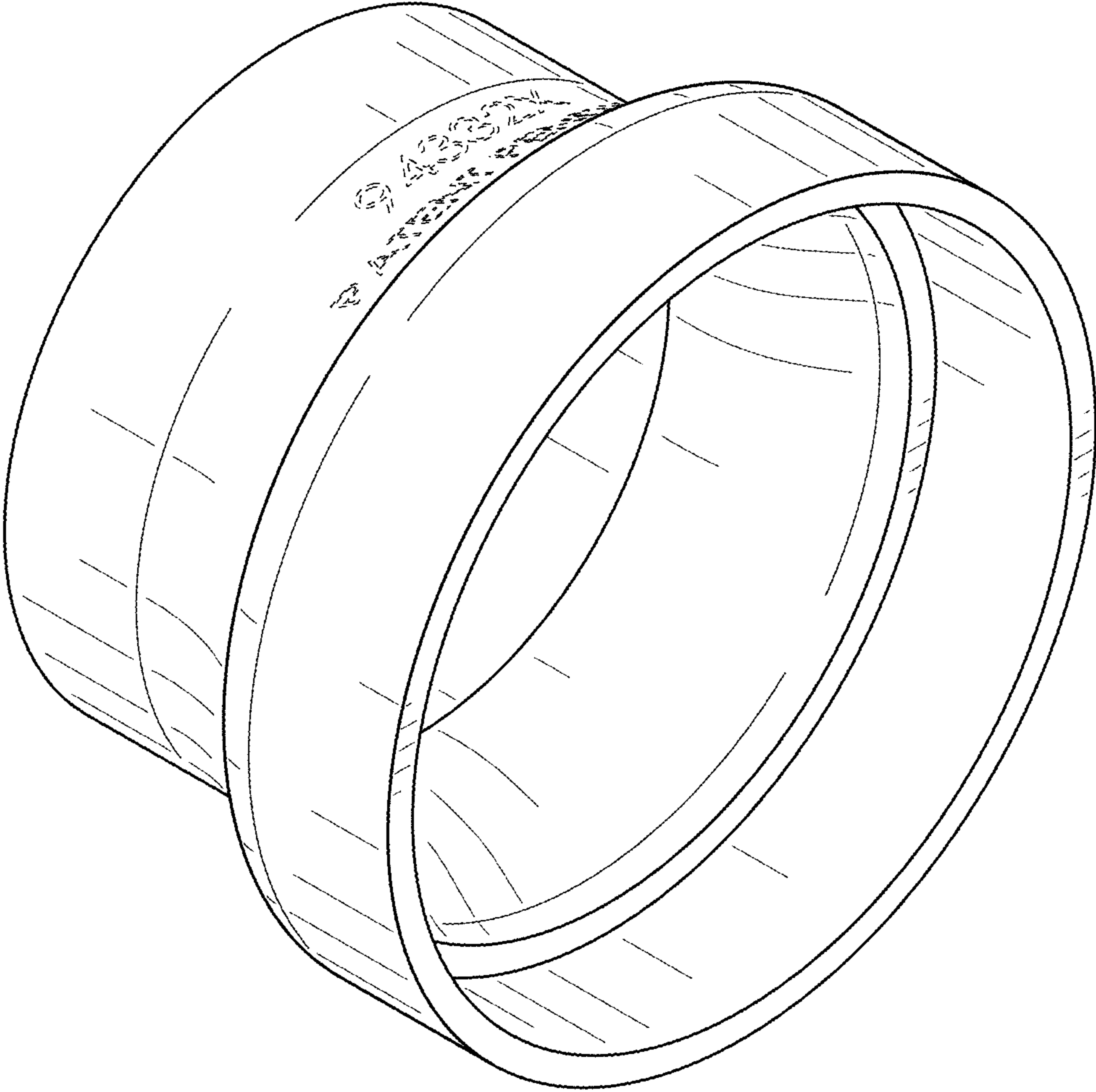


FIG. 1

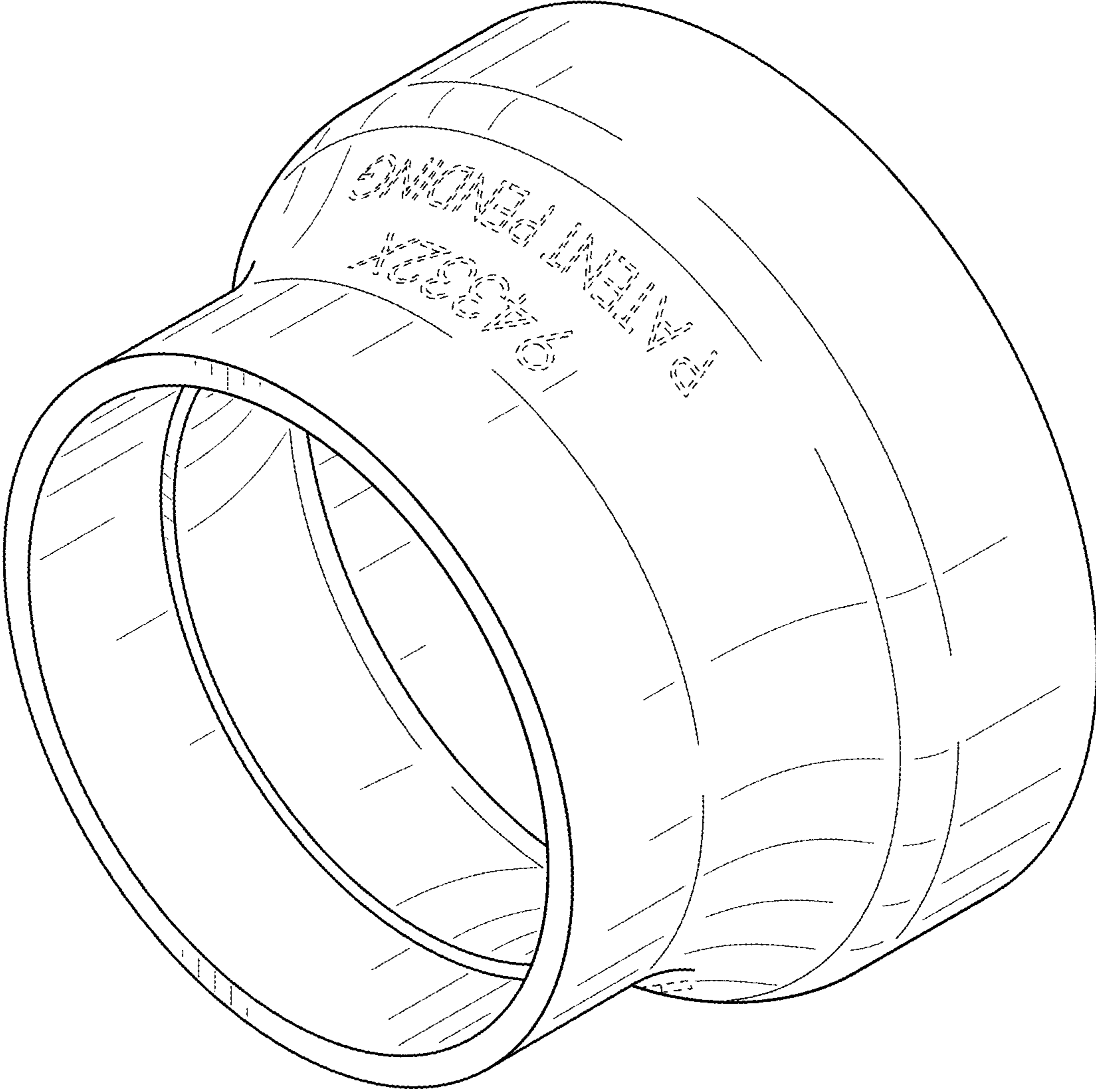


FIG. 2

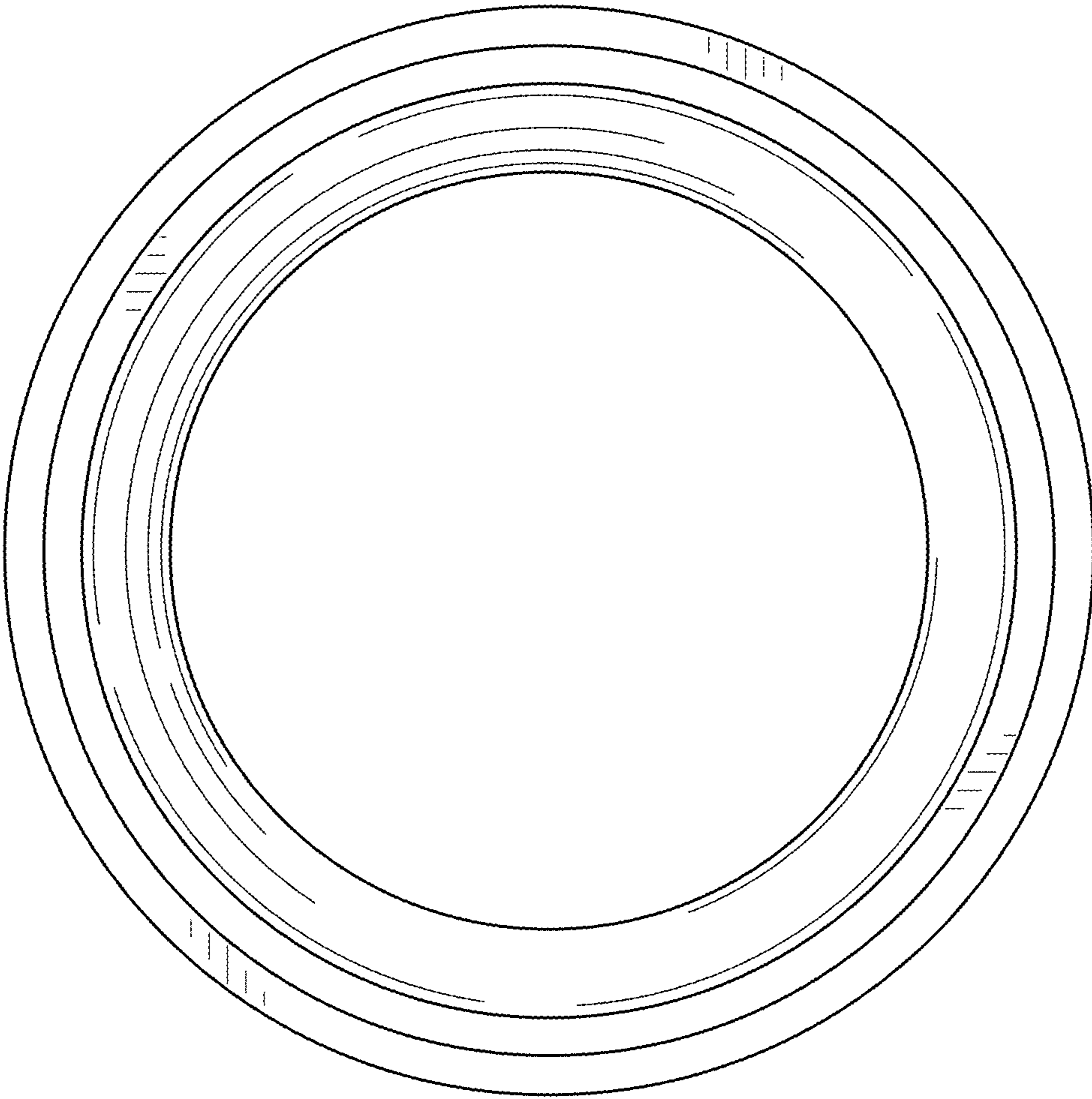


FIG. 3

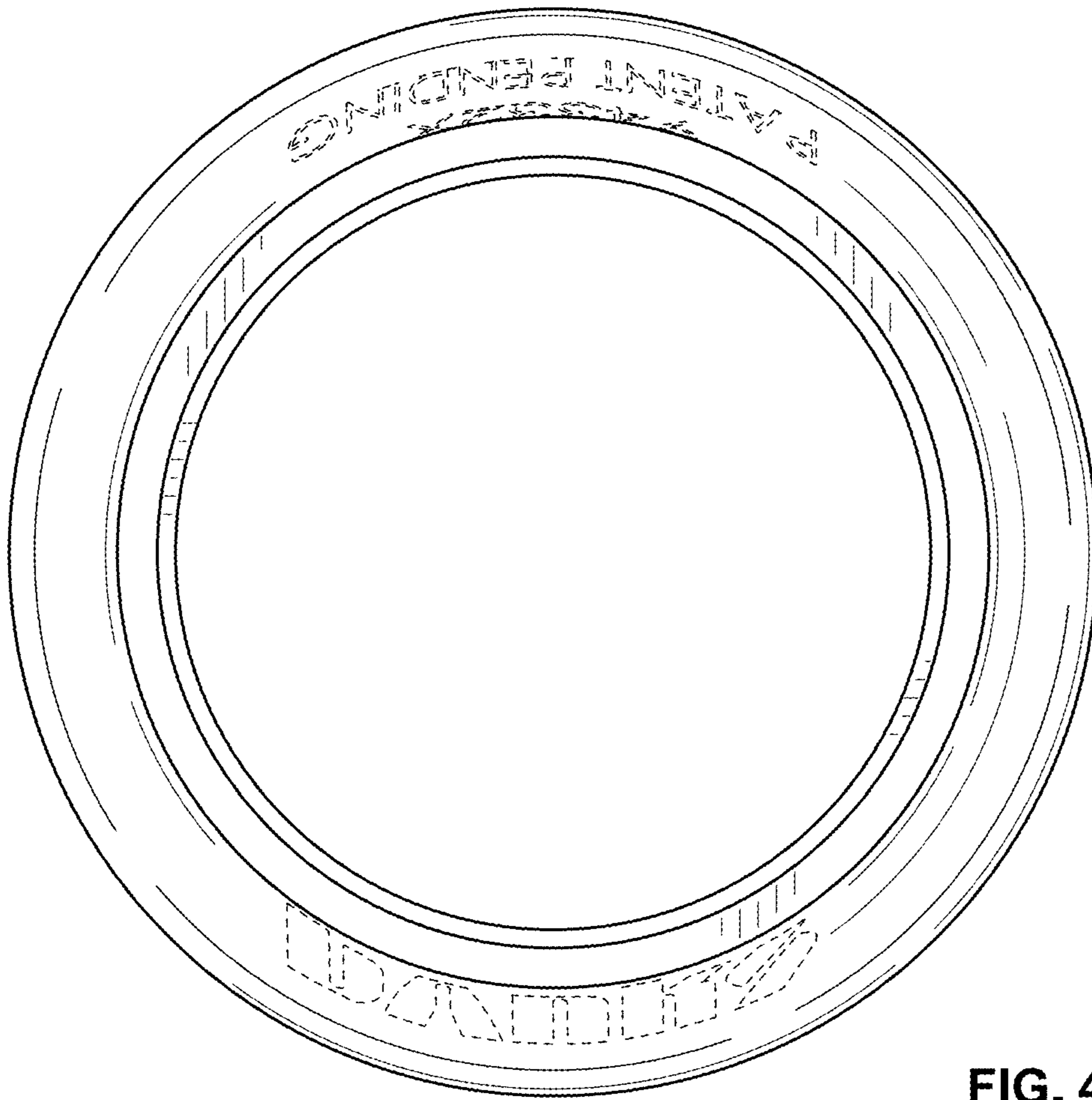


FIG. 4

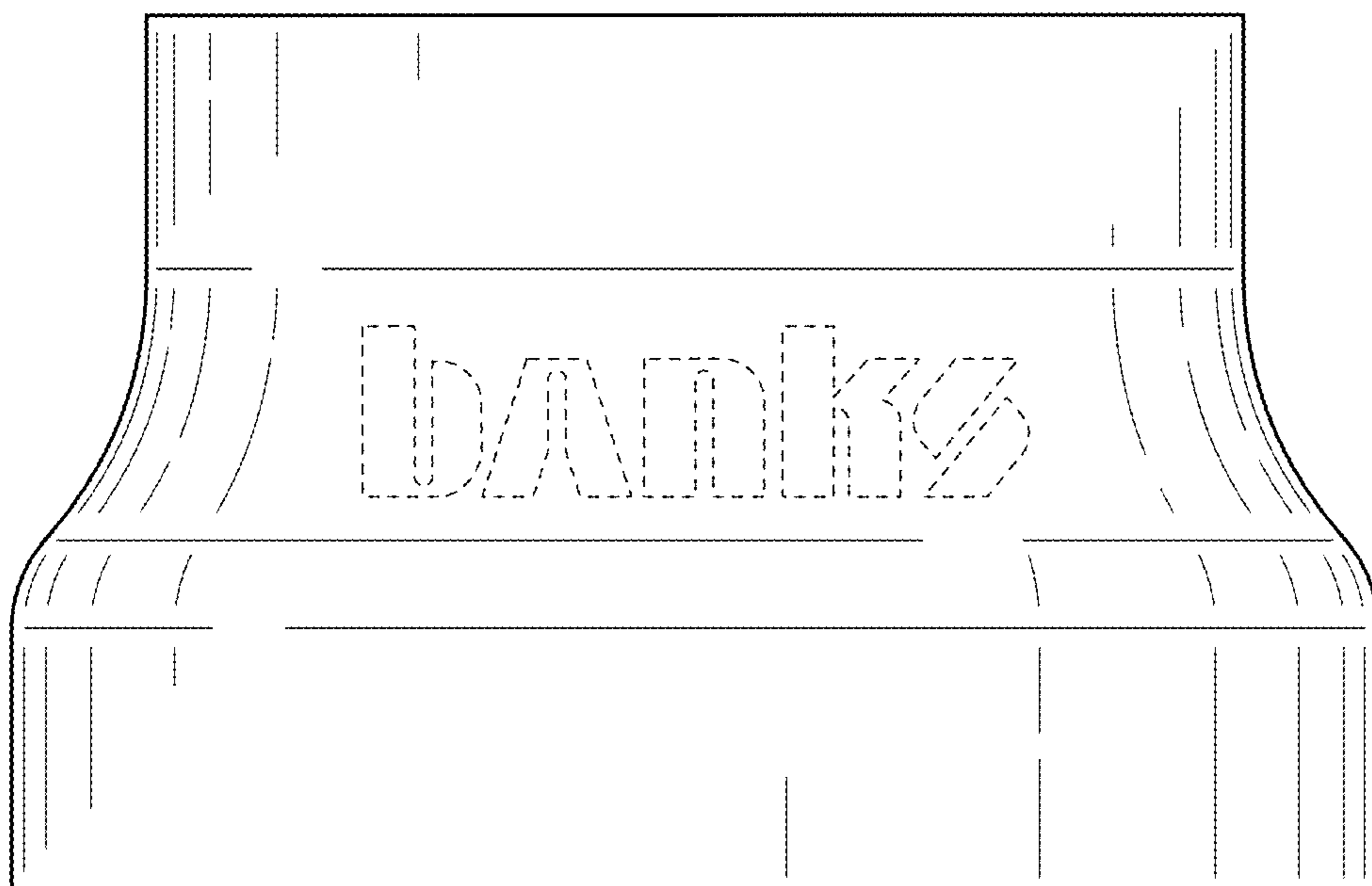


FIG. 5