



US00D896350S

(12) **United States Design Patent**  
**Warner**

(10) **Patent No.:** **US D896,350 S**

(45) **Date of Patent:** **\*\* Sep. 15, 2020**

(54) **DRAIN FITTING**

(71) Applicant: **Atlantis Bathroom Style Limited,**  
Tauranga (NZ)

(72) Inventor: **Bruce Nathan Warner,** Tauranga (NZ)

(73) Assignee: **Atlantis Bathroom Style Limited,**  
Tauranga (NZ)

(\*\*) Term: **15 Years**

(21) Appl. No.: **29/662,846**

(22) Filed: **Sep. 10, 2018**

(30) **Foreign Application Priority Data**

Mar. 26, 2018 (NZ) ..... 424243

(51) **LOC (12) Cl.** ..... **23-01**

(52) **U.S. Cl.**  
USPC ..... **D23/259; D23/261**

(58) **Field of Classification Search**  
USPC ..... D23/249, 259–261, 230, 233–234,  
D23/236–237, 207–209; 137/15.23,  
137/533.15, 533.11; 251/314, 315, 357,  
251/359–362; 4/255.01–255.12, 286–295,  
4/300.3, 688–690, 251.2; 52/169.5  
CPC ..... E04D 2013/0413; A47K 1/14  
See application file for complete search history.

(56) **References Cited**

**U.S. PATENT DOCUMENTS**

2,701,027 A \* 2/1955 Scoville ..... E01C 11/227  
210/163  
D355,707 S \* 2/1995 Emanuele ..... D23/259

D377,389 S \* 1/1997 Phillips ..... D23/261  
D410,073 S \* 5/1999 Barnett ..... D23/261  
D421,101 S \* 2/2000 Barnett ..... D23/261  
D582,527 S \* 12/2008 Wang ..... D23/261  
D595,811 S \* 7/2009 Stadtler ..... D23/249  
D602,126 S \* 10/2009 May ..... D23/259  
D602,567 S \* 10/2009 Stadtler ..... D23/235  
D609,781 S \* 2/2010 Stadtler ..... D23/249  
D618,767 S \* 6/2010 Peng ..... D23/261  
7,774,870 B2 \* 8/2010 Griffin ..... E04H 4/1236  
4/507  
D676,532 S \* 2/2013 Meert ..... D23/259

\* cited by examiner

*Primary Examiner* — Amy C Wierenga

(74) *Attorney, Agent, or Firm* — Osha Liang LLP

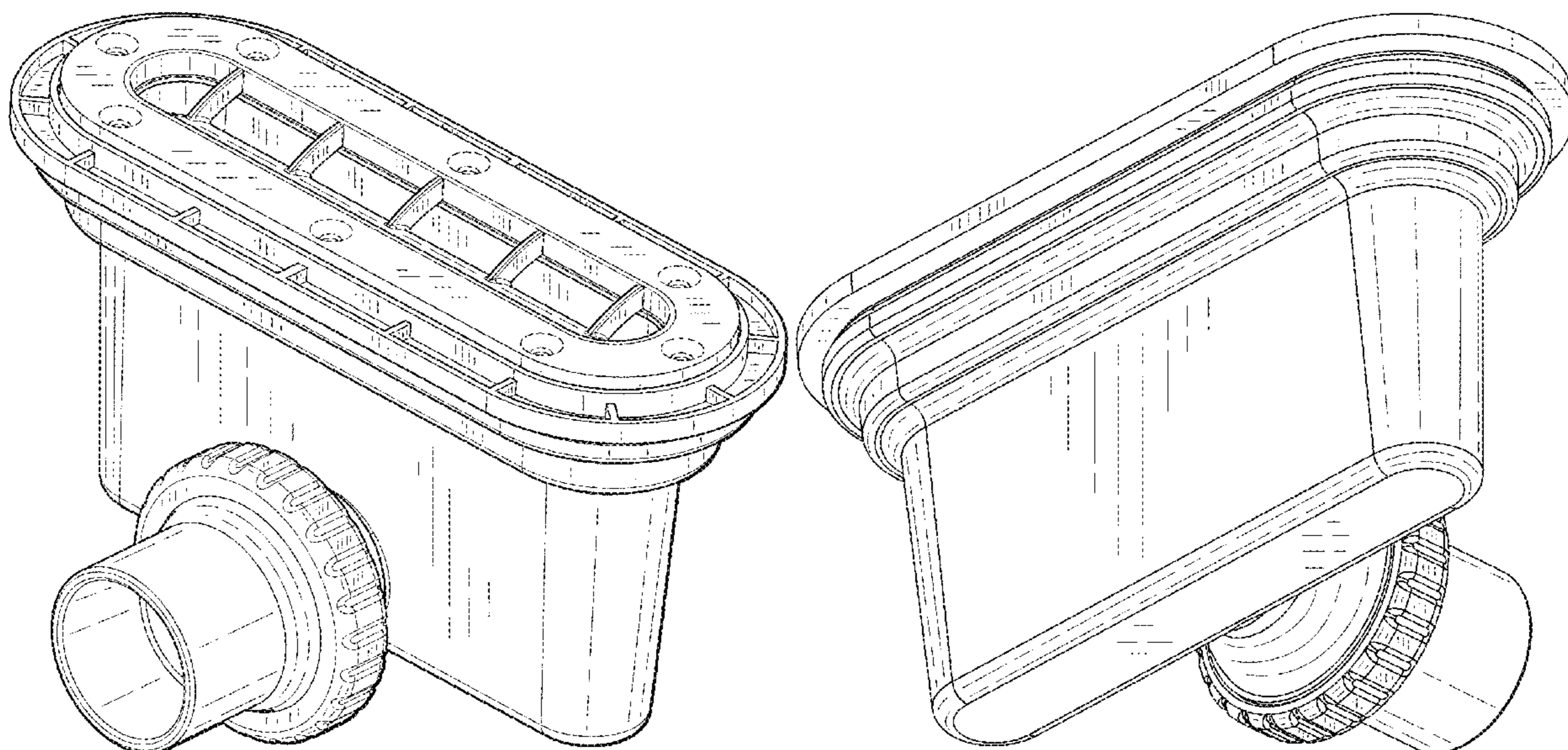
(57) **CLAIM**

The ornamental design for a drain fitting, as shown and described.

**DESCRIPTION**

FIG. 1 is a rear perspective view of a drain fitting showing the new design;  
FIG. 2 is a front perspective view of the drain fitting of FIG. 1;  
FIG. 3 is a rear view of the drain fitting of FIG. 1;  
FIG. 4 is a front view of the drain fitting of FIG. 1;  
FIG. 5 is a top view of the drain fitting of FIG. 1;  
FIG. 6 is a bottom view of the drain fitting of FIG. 1;  
FIG. 7 is a right side view of the drain fitting of FIG. 1; and,  
FIG. 8 is a left side view of the drain fitting of FIG. 1.  
The broken lines depict unclaimed portions of the drain fitting and form no part of the claimed design.

**1 Claim, 8 Drawing Sheets**



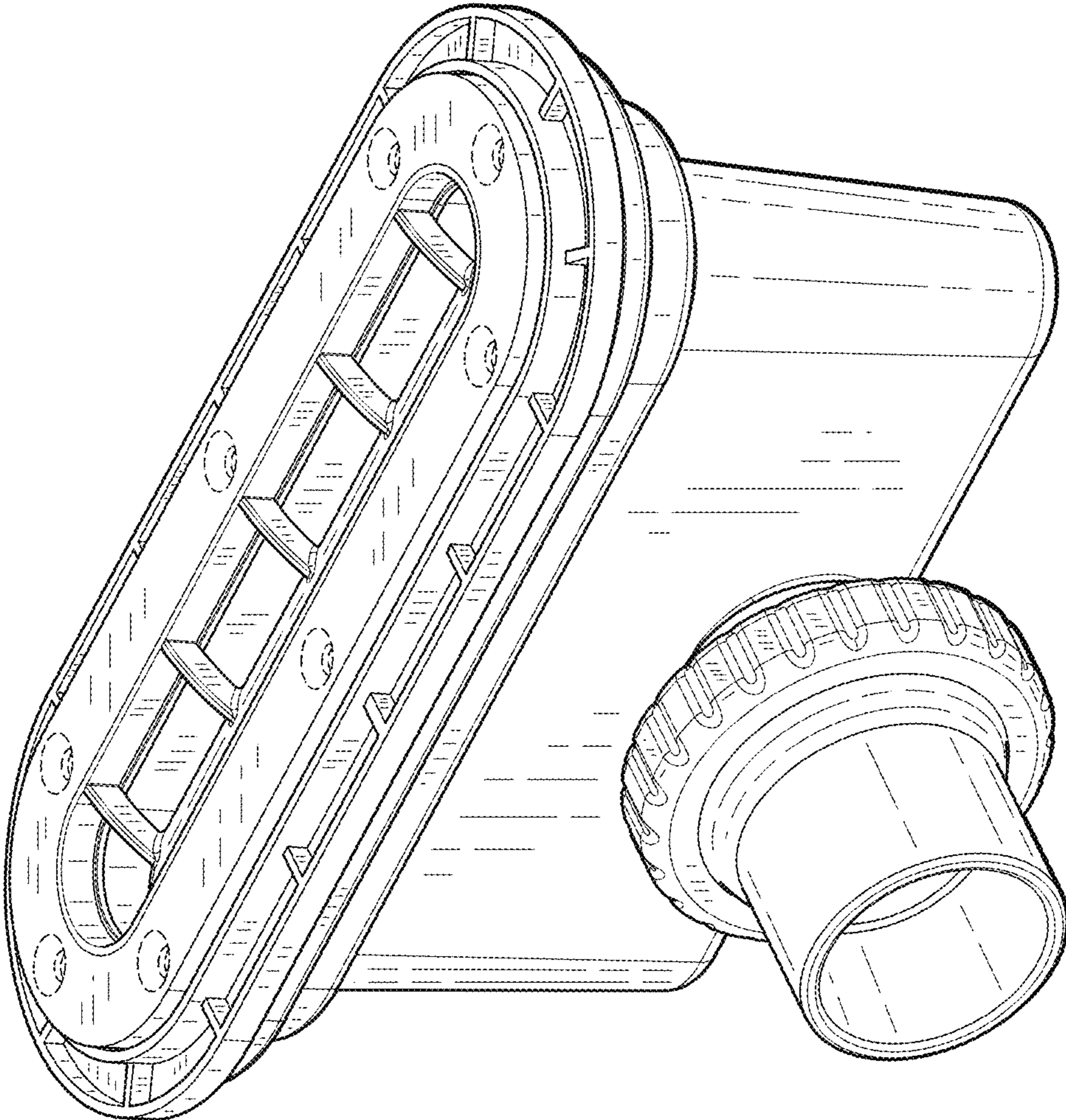


FIG. 1

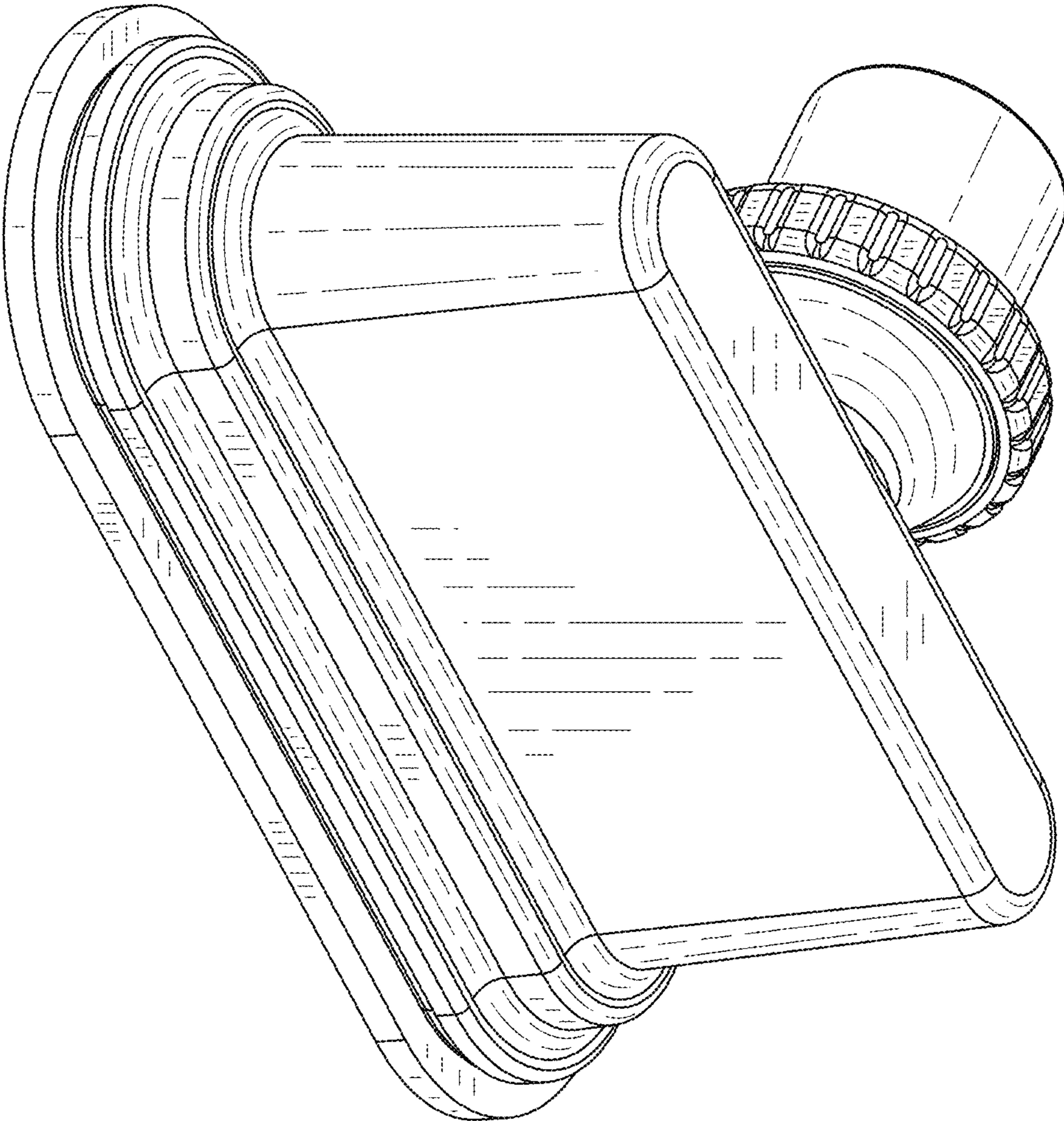


FIG. 2

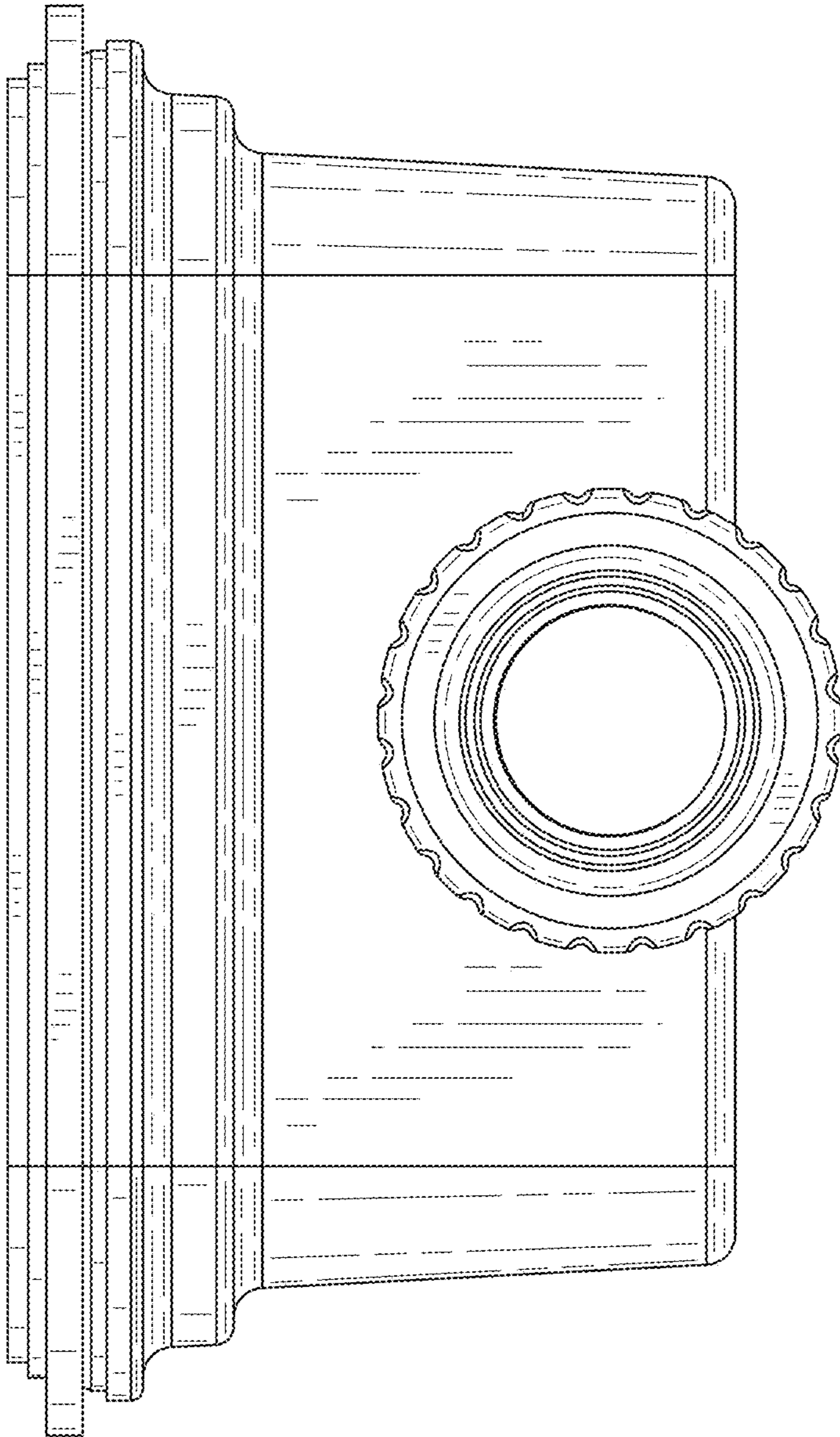


FIG. 3

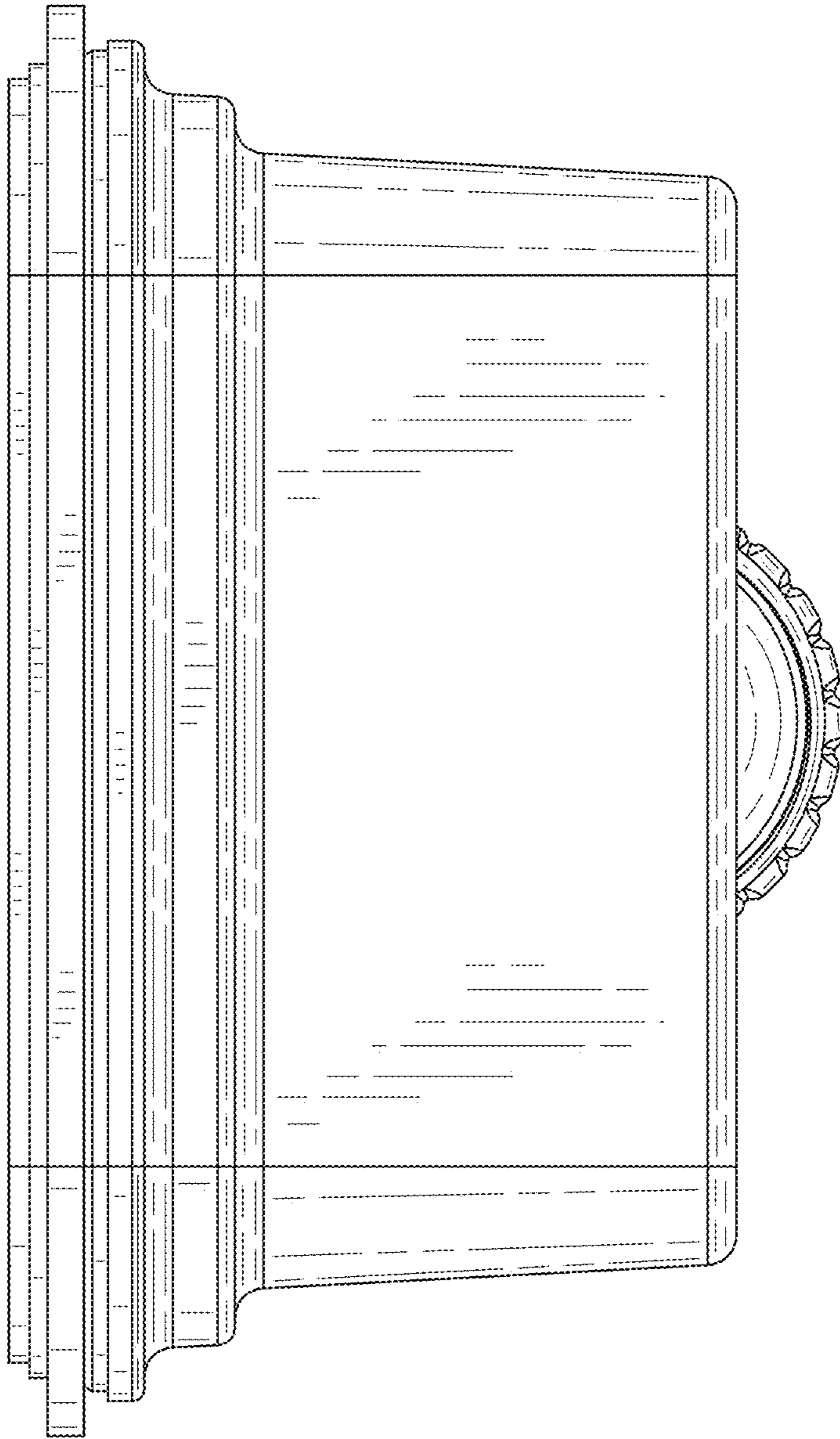


FIG. 4

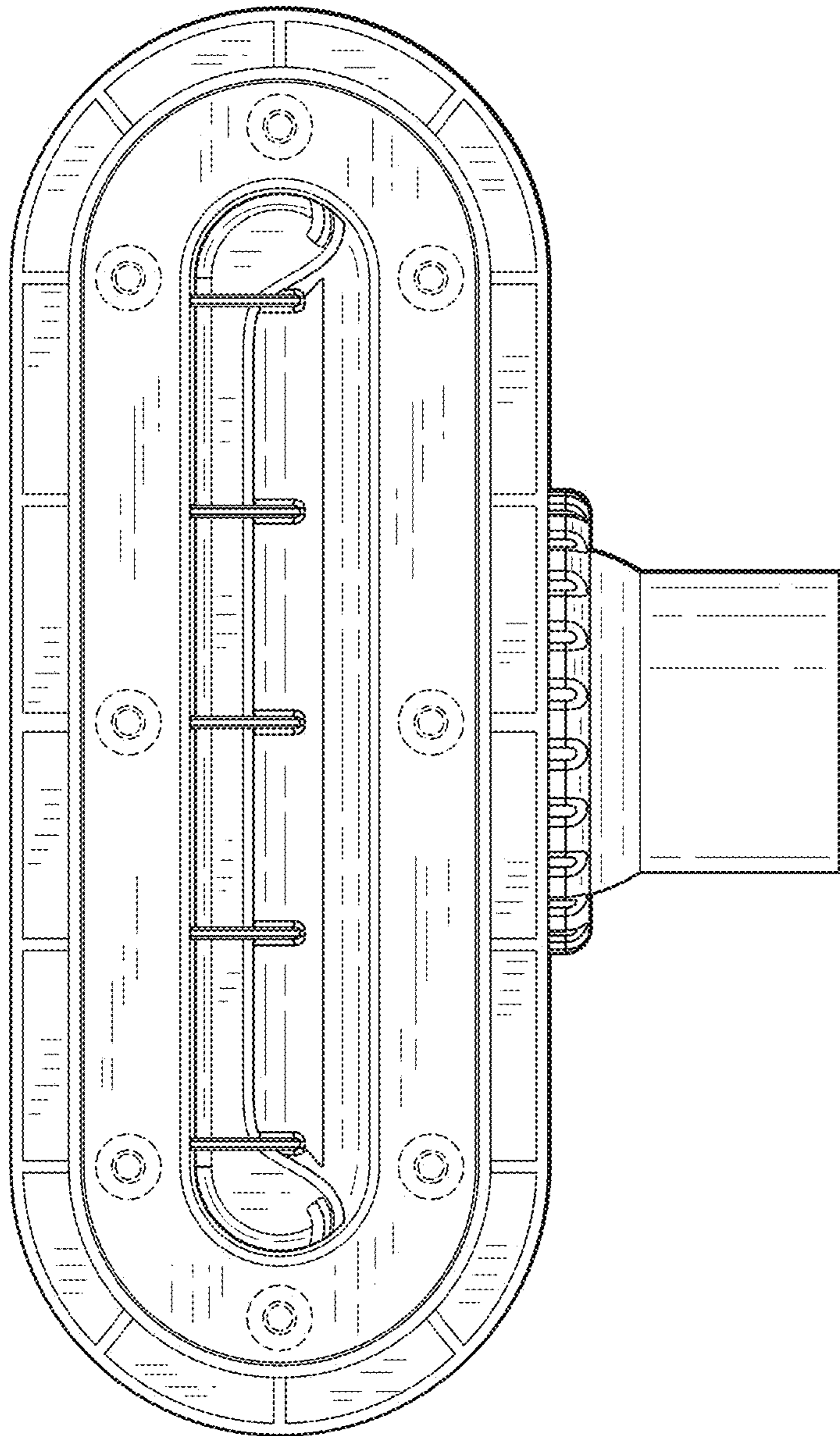


FIG. 5

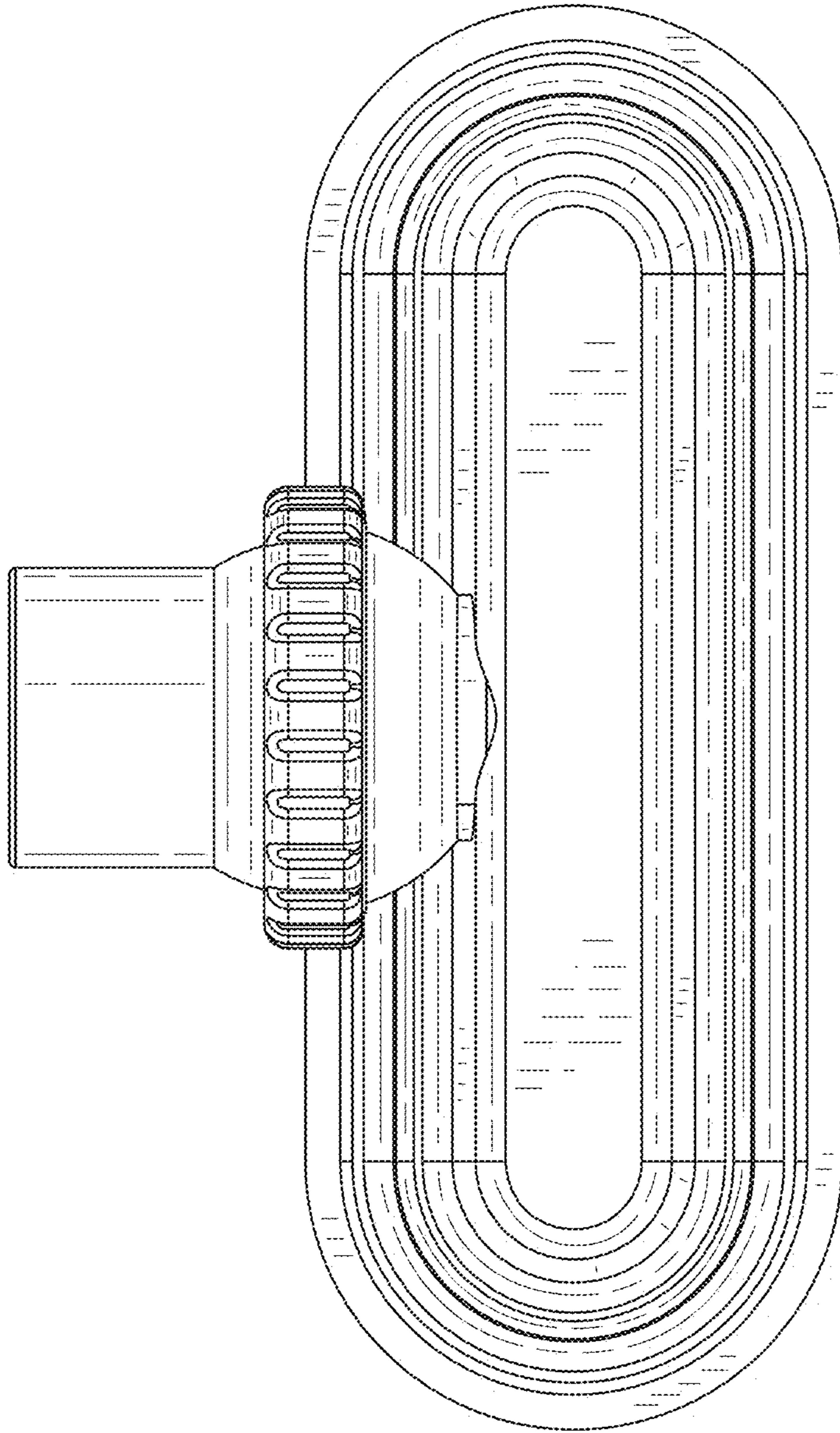


FIG. 6

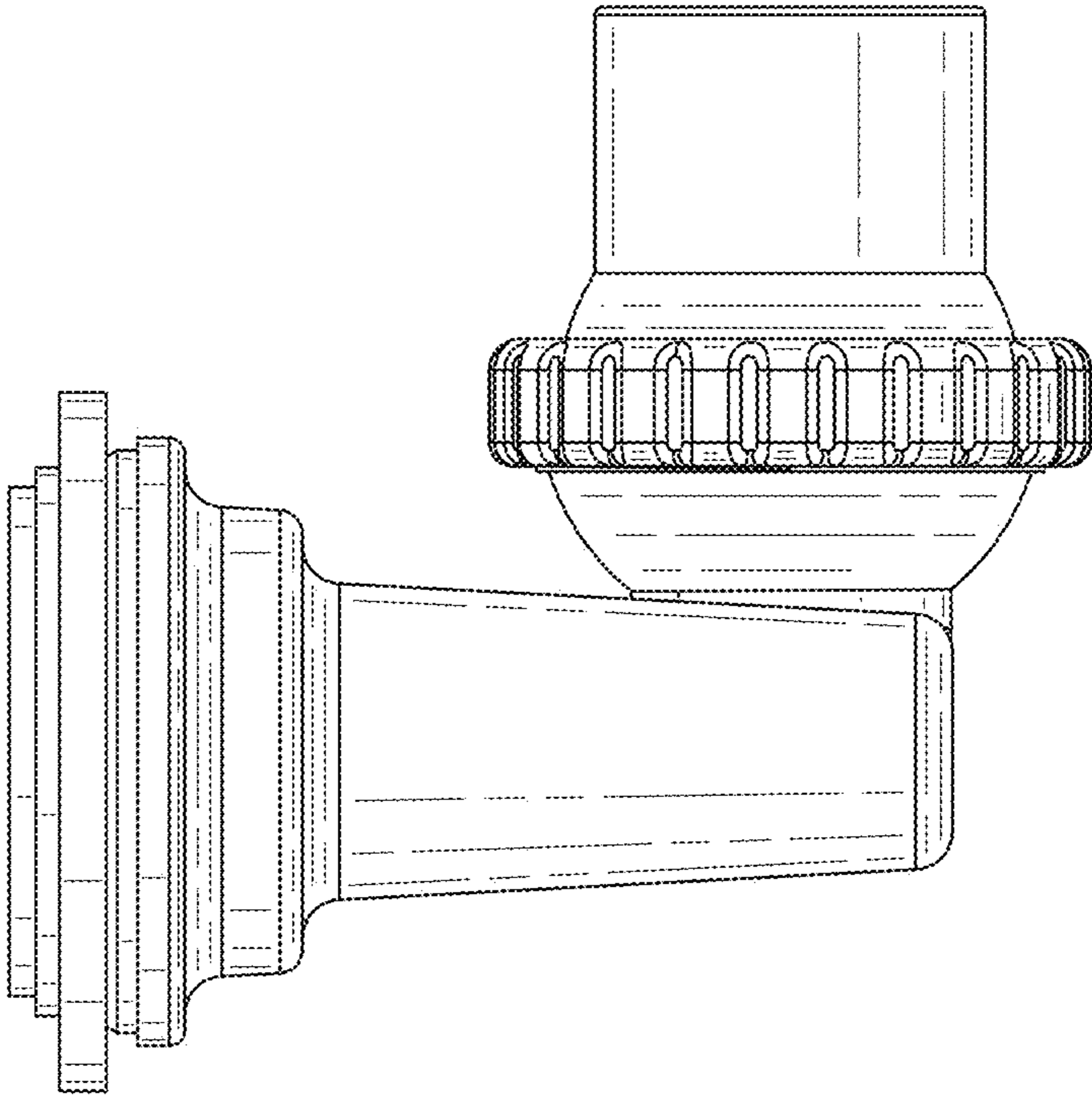


FIG. 7



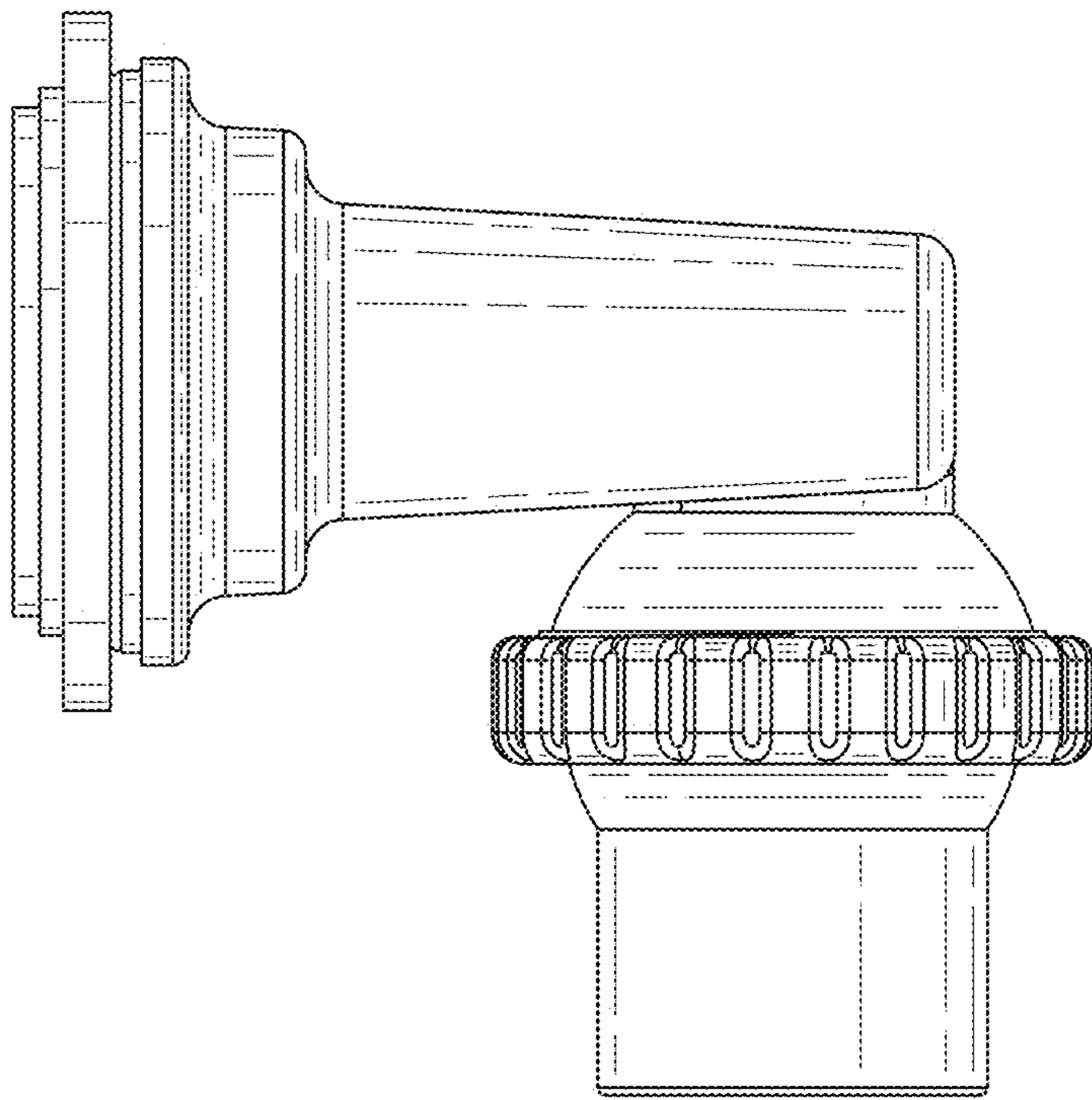


FIG. 8