



US00D896349S

(12) **United States Design Patent**
Kuang

(10) **Patent No.:** **US D896,349 S**

(45) **Date of Patent:** **** Sep. 15, 2020**

(54) **FAUCET**

(71) Applicant: **KAIPING PARLOS HOME FURNISHING CO., LTD**, Kaiping (CN)

(72) Inventor: **ZiCong Kuang**, Kaiping (CN)

(73) Assignee: **KAIPING PARLOS HOME FURNISHING CO., LTD.**, Kaiping (CN)

(**) Term: **15 Years**

(21) Appl. No.: **29/670,655**

(22) Filed: **Nov. 19, 2018**

(51) **LOC (12) Cl.** **23-01**

(52) **U.S. Cl.**
USPC **D23/242**

(58) **Field of Classification Search**
USPC D23/238, 241–243, 249–250, 252, D23/254–255, 257; D8/307–308
CPC Y10T 137/9464; Y10T 137/6014; Y10T 137/6017
See application file for complete search history.

(56) **References Cited**

U.S. PATENT DOCUMENTS

D576,710 S * 9/2008 Fritz D23/238
D587,786 S * 3/2009 Williams D23/252

D648,830 S * 11/2011 Corbett D23/252
D678,985 S * 3/2013 Berger D23/255
D680,622 S * 4/2013 Berger D23/238
D683,432 S * 5/2013 Berger D23/242
D729,350 S * 5/2015 Bahler D23/252
2013/0213509 A1* 8/2013 Thomas E03C 1/04 137/801

* cited by examiner

Primary Examiner — Robert A Delehanty

(74) *Attorney, Agent, or Firm* — Steven W. Weinrieb

(57) **CLAIM**

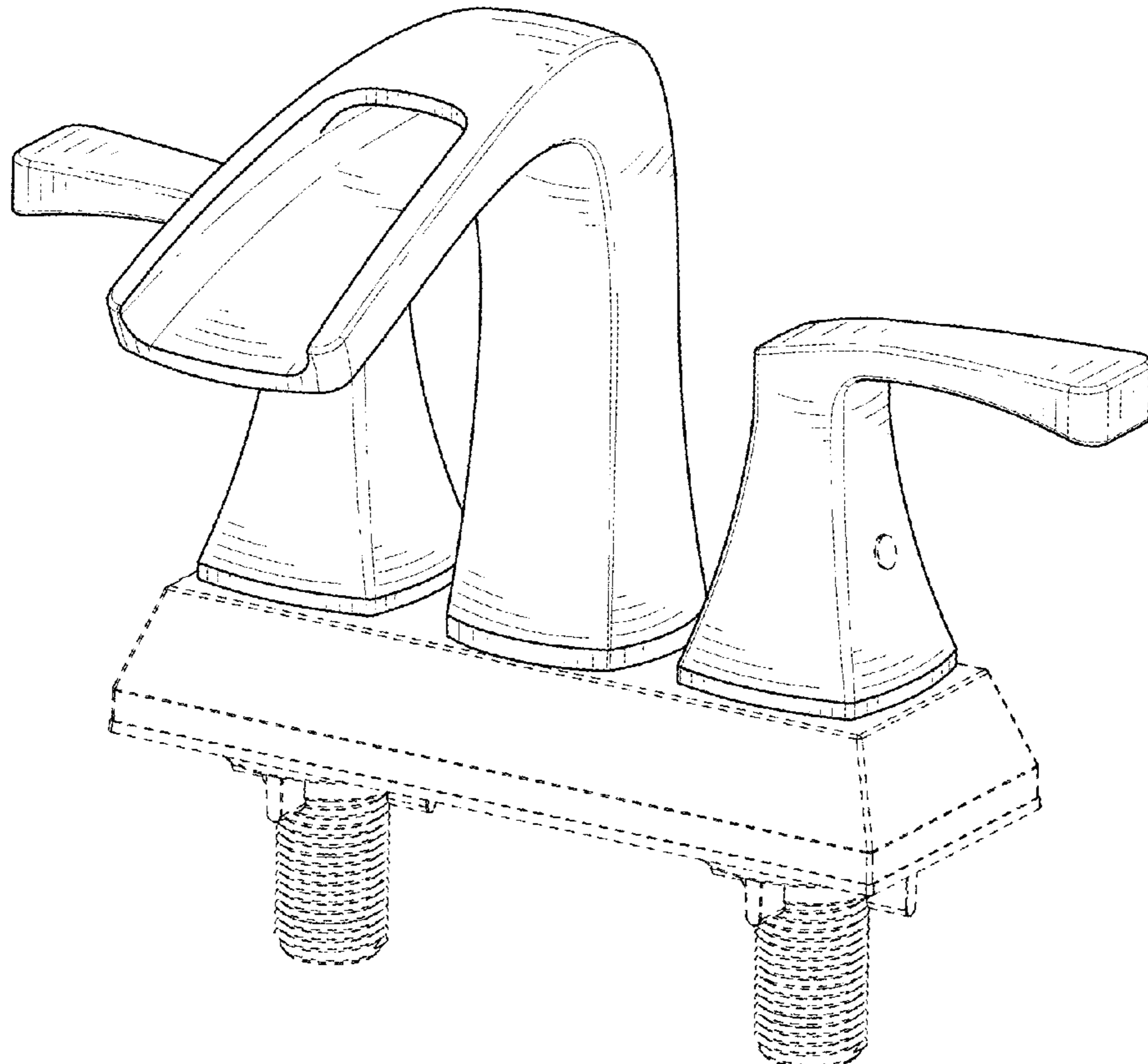
The ornamental design for a faucet, as shown and described.

DESCRIPTION

FIG. 1 is a first perspective view of a faucet showing the claimed new design;
FIG. 2 is a second perspective view thereof;
FIG. 3 is a front elevational view thereof;
FIG. 4 is a rear elevational view thereof;
FIG. 5 is a left side elevational view thereof;
FIG. 6 is a right side elevational view thereof;
FIG. 7 is a top plane view thereof; and,
FIG. 8 is a bottom plane view thereof.

The broken lines immediately adjacent to the claimed portions are boundaries, all other broken lines are environmental structures; all the broken lines form no part of the claimed design.

1 Claim, 8 Drawing Sheets



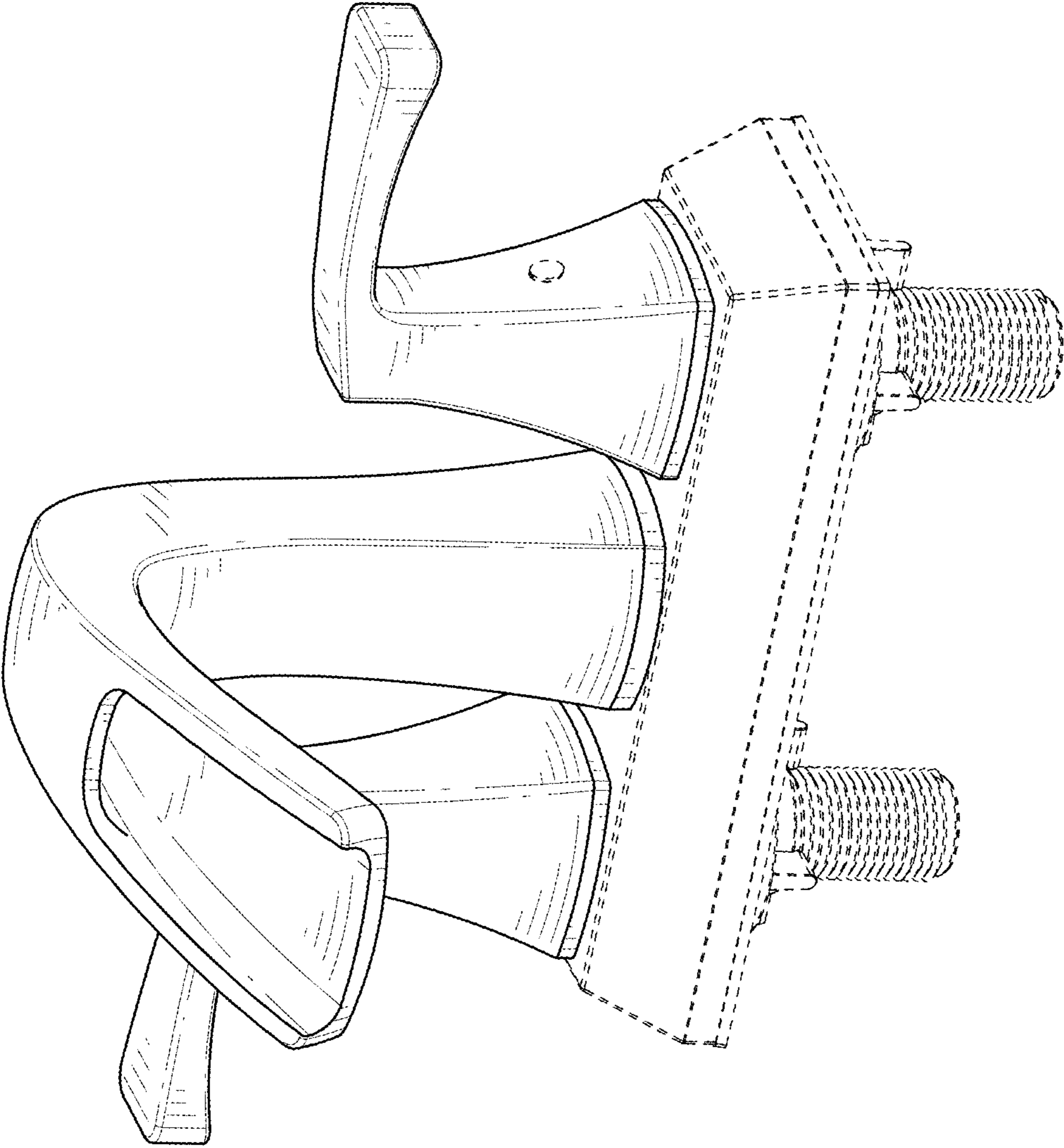


FIG. 1

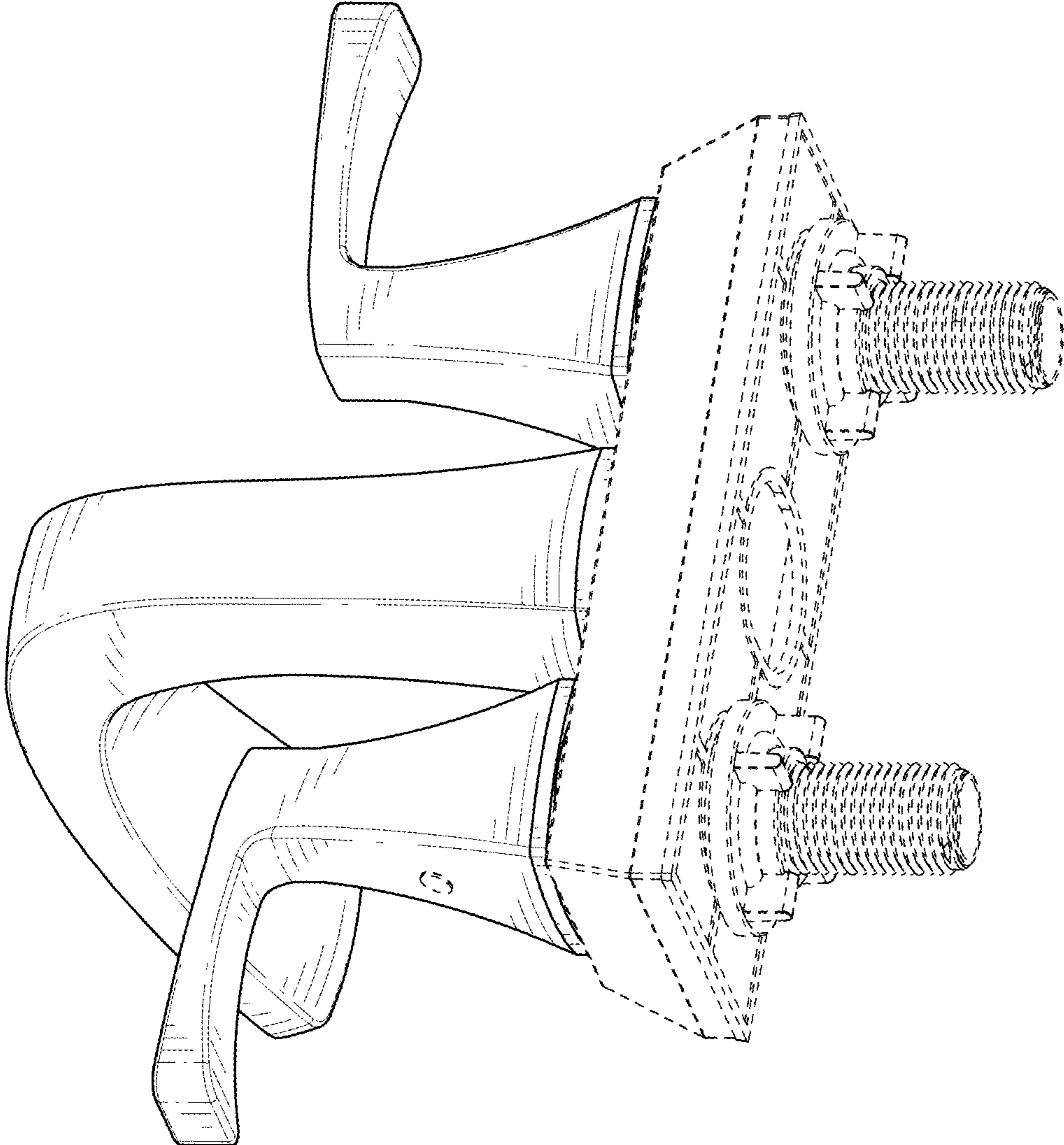


FIG. 2

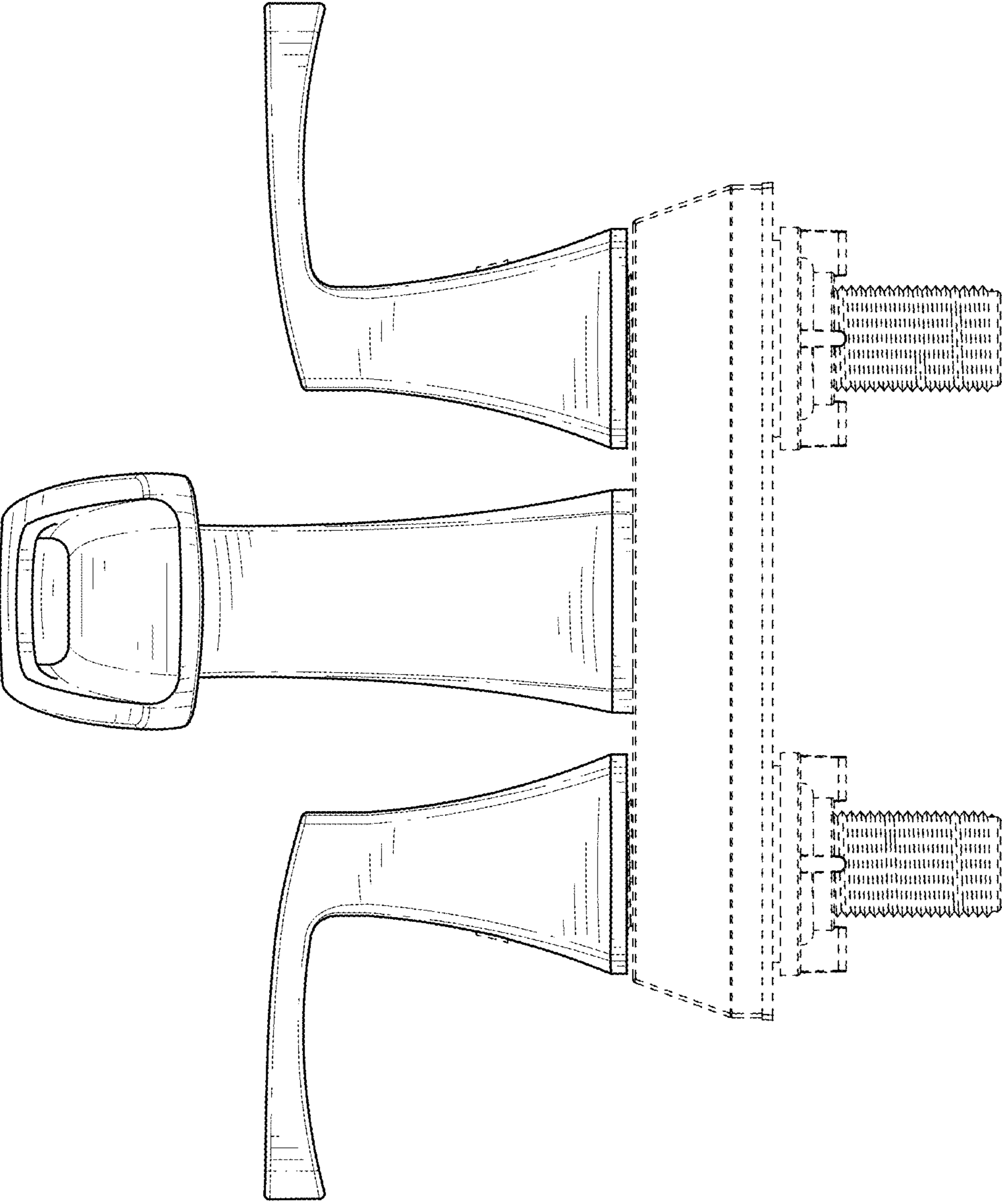


FIG. 3

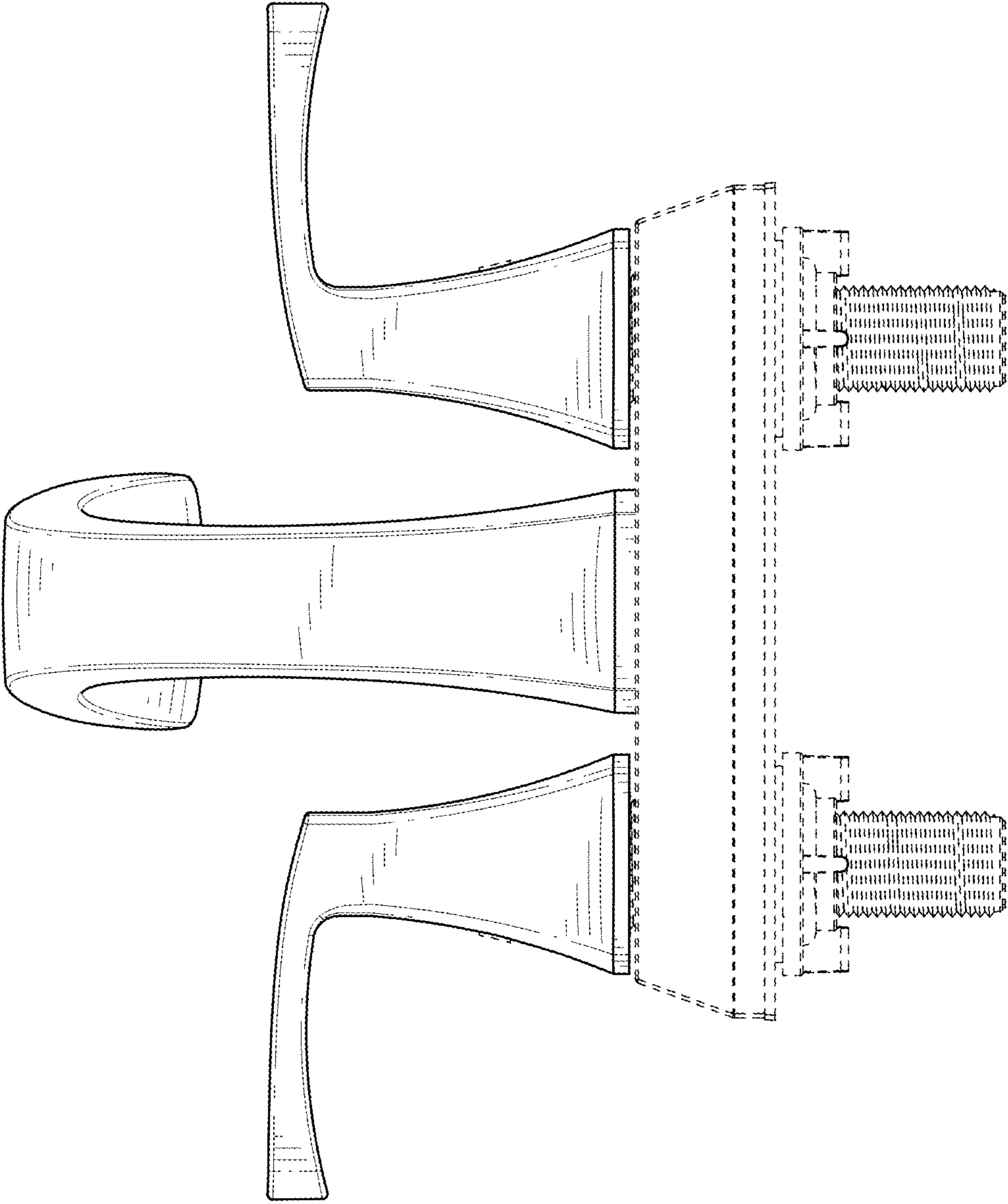


FIG. 4

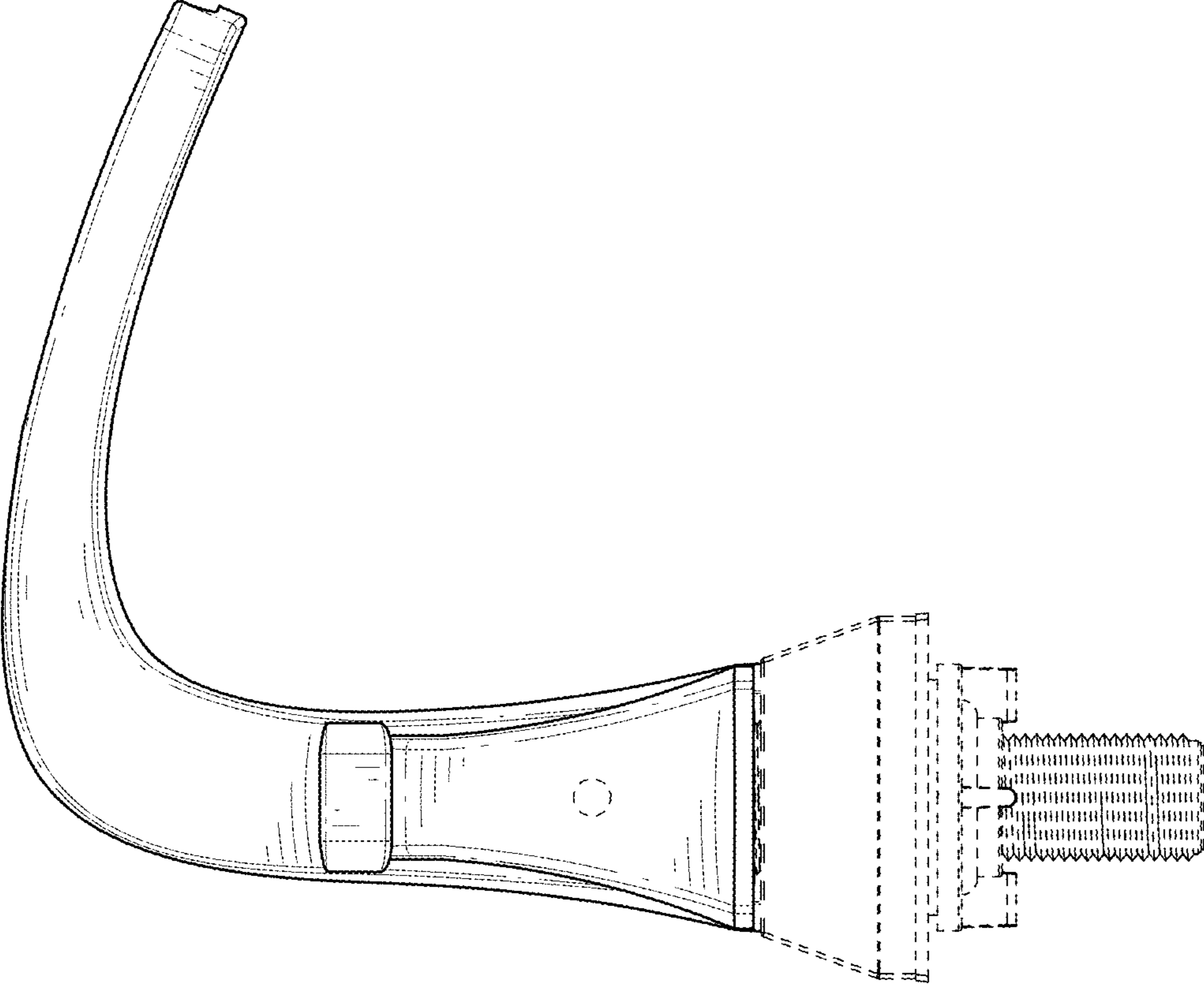


FIG. 5

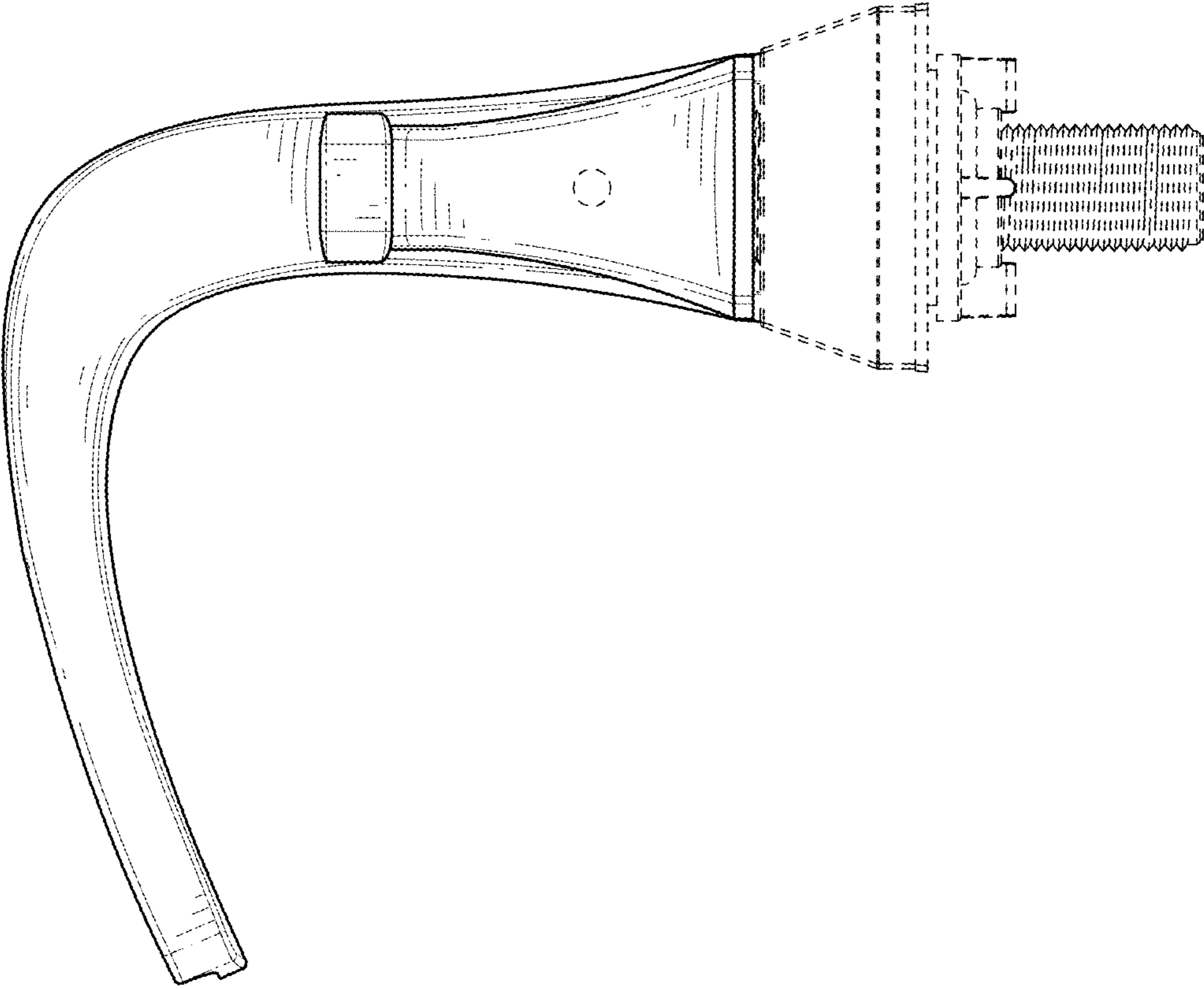


FIG. 6

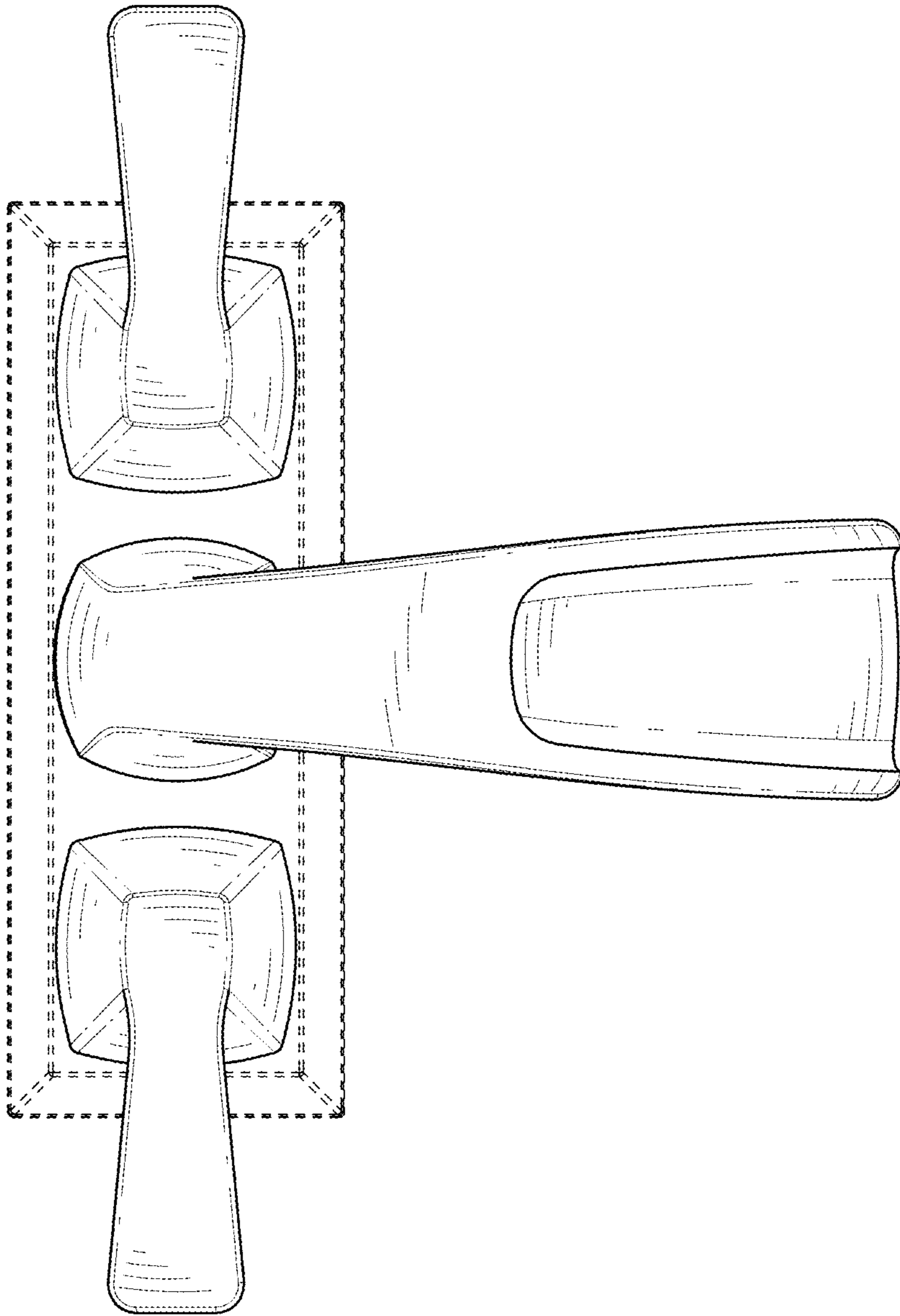


FIG. 7

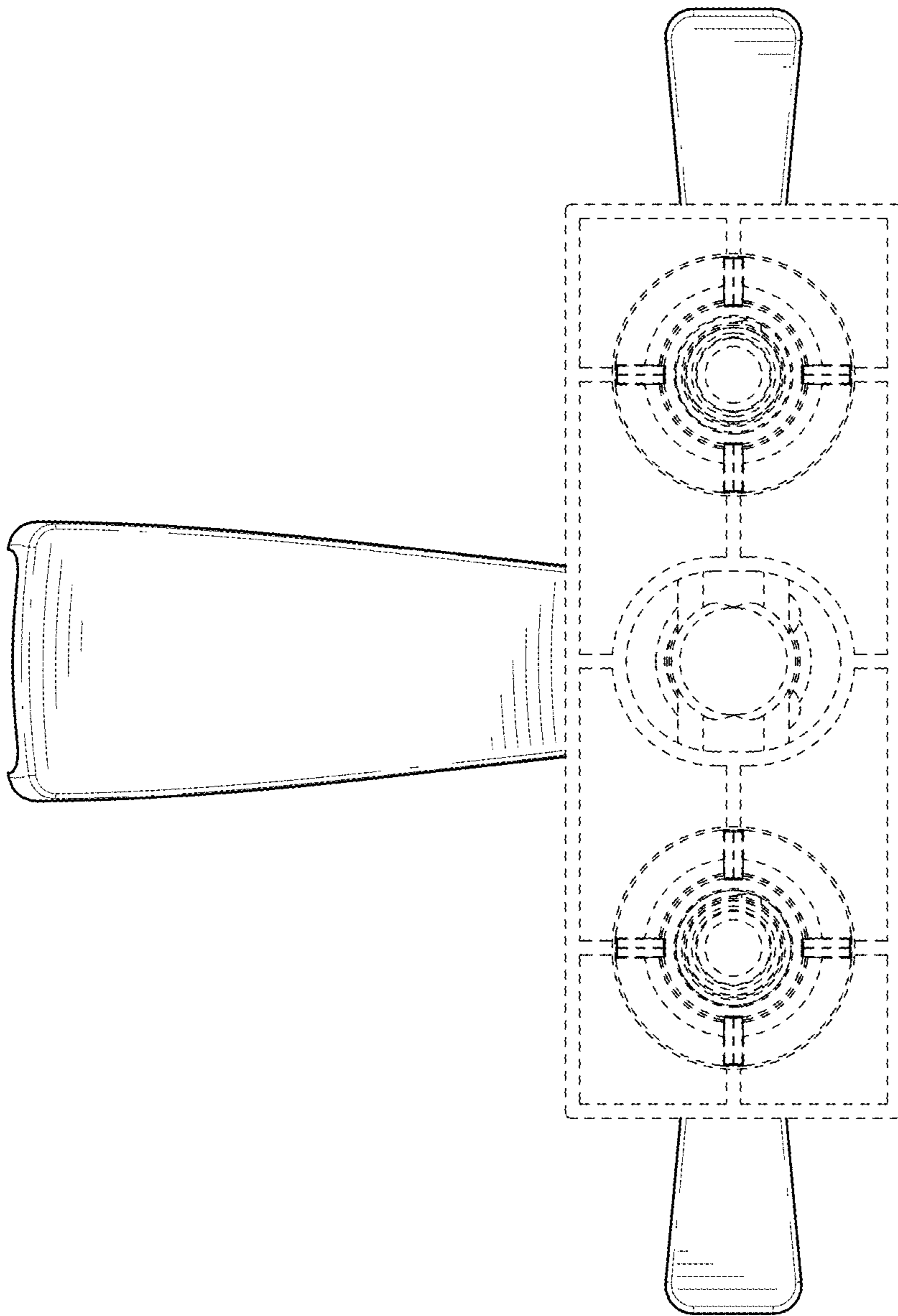


FIG. 8