



US00D896346S

(12) **United States Design Patent**
Yamabe

(10) **Patent No.:** **US D896,346 S**

(45) **Date of Patent:** **** Sep. 15, 2020**

(54) **SOLENOID VALVE**

8,641,010 B2 * 2/2014 Christensen F16K 31/0675
251/129.15

(71) Applicant: **FUJIKOKI CORPORATION**, Tokyo
(JP)

D712,513 S * 9/2014 Kainuma D23/233

D791,917 S * 7/2017 Itoh D23/233

D802,718 S * 11/2017 Kainuma D23/233

9,982,797 B2 * 5/2018 Ye H01F 7/081

(72) Inventor: **Shimpei Yamabe**, Tokyo (JP)

(73) Assignee: **FUJIKOKI CORPORATION**, Tokyo
(JP)

* cited by examiner

Primary Examiner — Gino Colan

(**) Term: **15 Years**

(74) *Attorney, Agent, or Firm* — Manabu Kanesaka

(21) Appl. No.: **29/674,267**

(22) Filed: **Dec. 20, 2018**

(57) **CLAIM**

(30) **Foreign Application Priority Data**

Sep. 25, 2018 (JP) 2018-020709

The ornamental design for solenoid valve, as shown and described.

(51) **LOC (12) Cl.** **23-01**

(52) **U.S. Cl.**
USPC **D23/233**

DESCRIPTION

(58) **Field of Classification Search**
USPC D23/233–237, 241–249; 251/129.15,
251/129.01, 129.1, 129.09, 129.21;
137/554

FIG. 1 is a perspective from a top side of a solenoid valve showing my new design;

FIG. 2 is a perspective from a bottom side thereof;

FIG. 3 is a front view thereof;

FIG. 4 is a rear view thereof;

FIG. 5 is a top plan view thereof;

FIG. 6 is a bottom view thereof;

FIG. 7 is a right side view thereof; and,

FIG. 8 is a left side view thereof.

CPC F16K 31/0675; F16K 27/029; F16K 31/06;
F16K 27/048; F16K 31/082; F16K 31/08;
F16K 31/40

See application file for complete search history.

The broken lines depict portions of the solenoid valve that form no part of claimed design.

(56) **References Cited**

U.S. PATENT DOCUMENTS

7,938,383 B2 * 5/2011 Zur H01F 7/126
251/129.15

8,382,062 B2 * 2/2013 Christensen F16K 31/0675
251/129.15

1 Claim, 8 Drawing Sheets

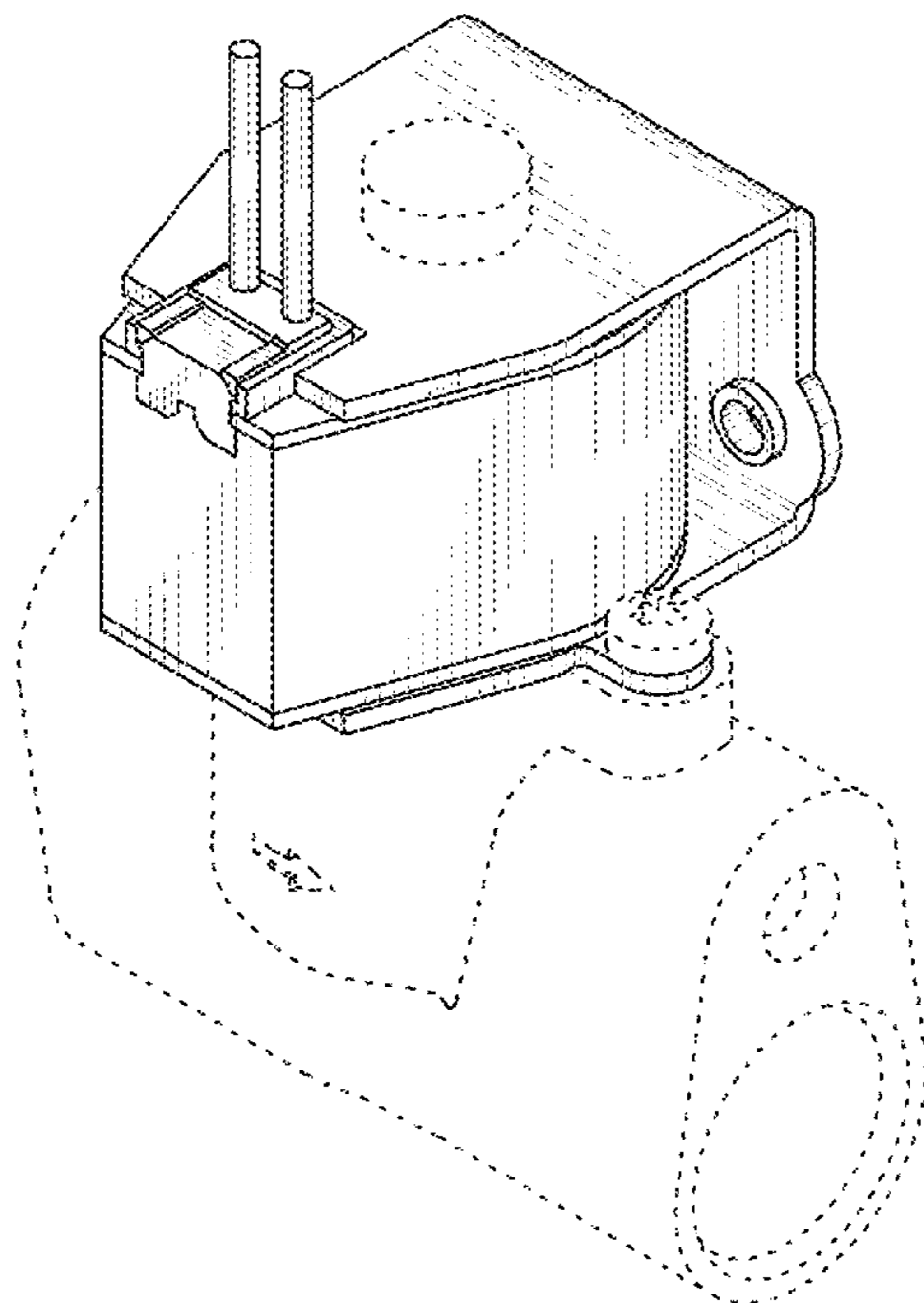


FIG. 1

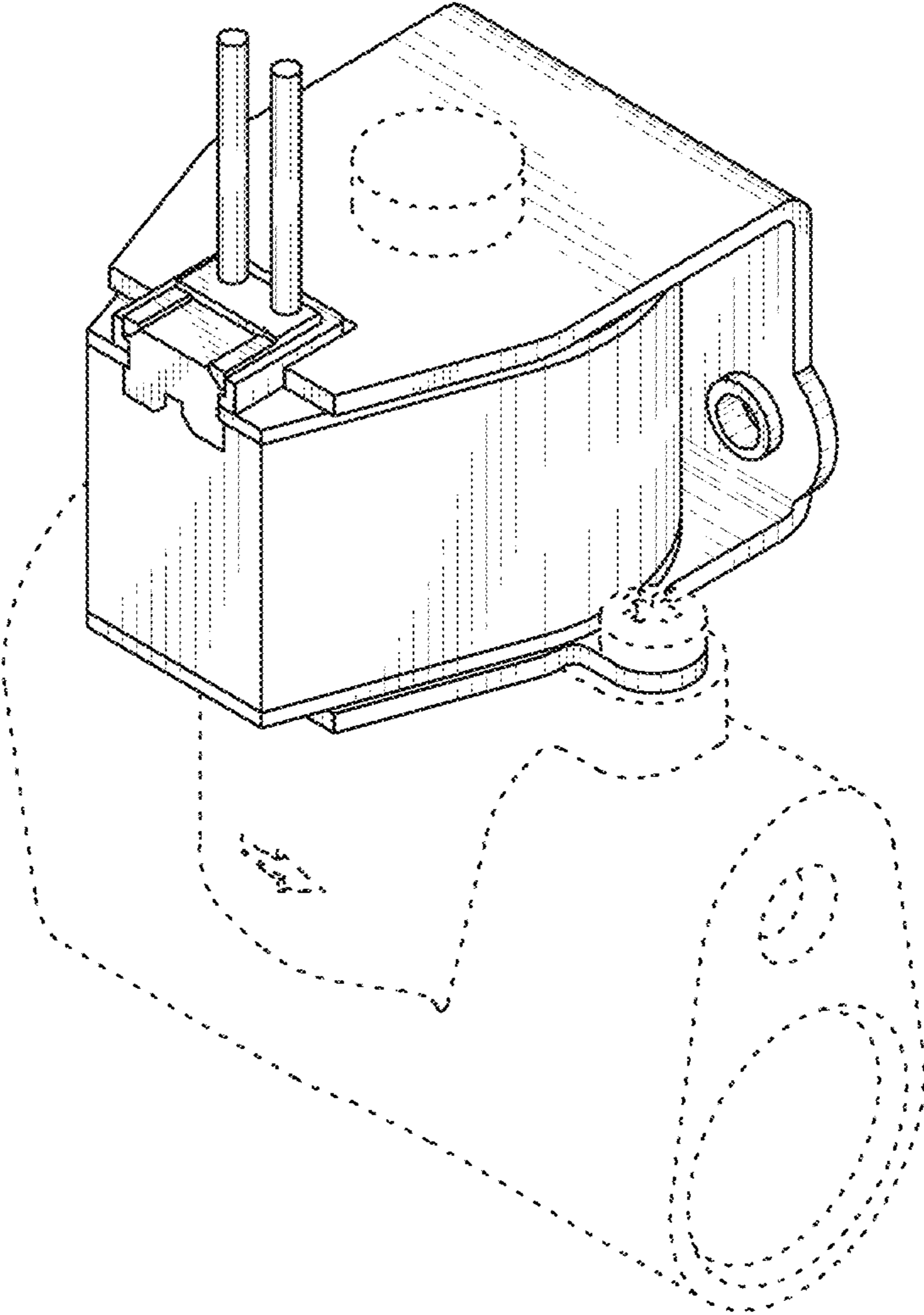


FIG. 2

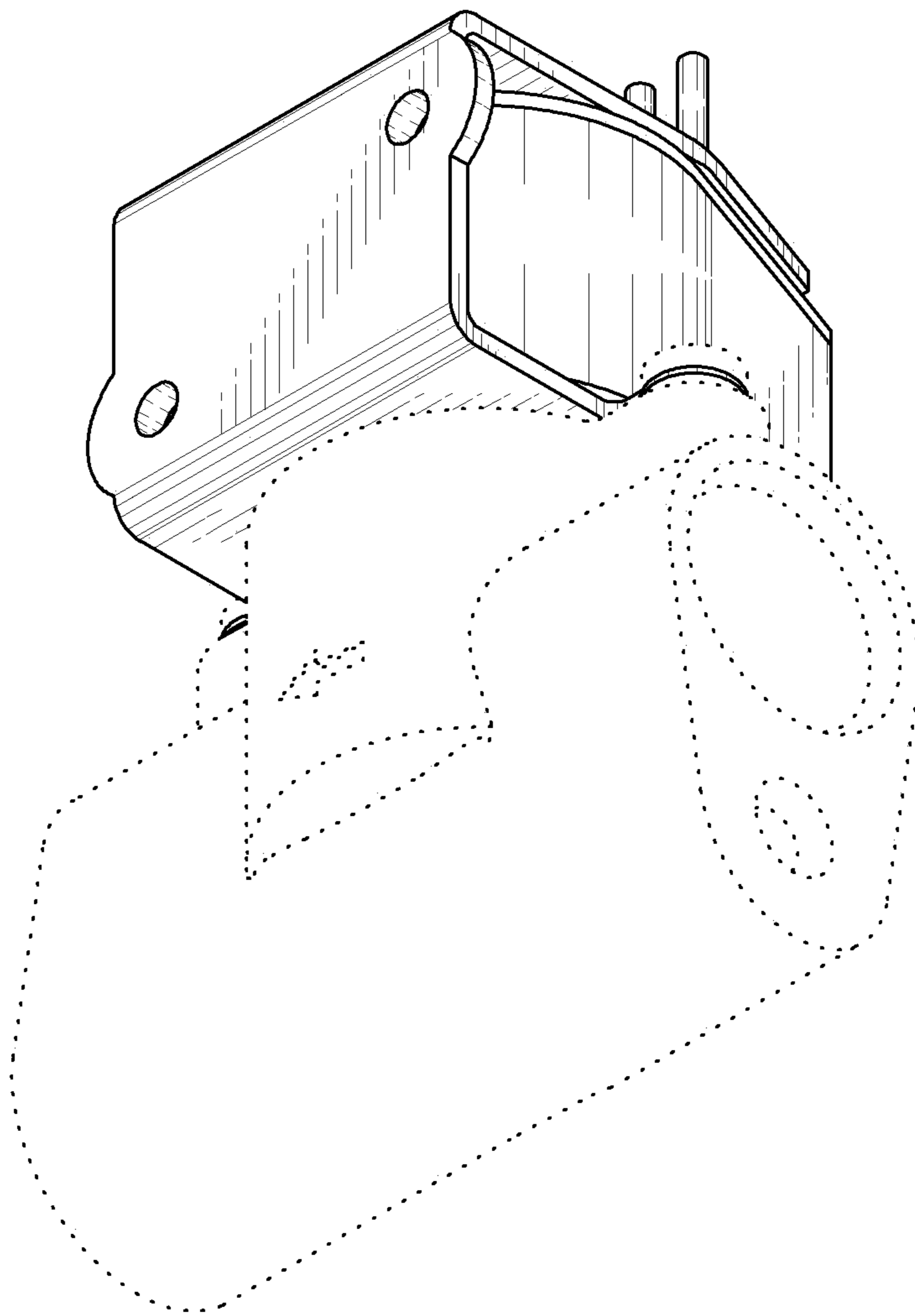


FIG. 3

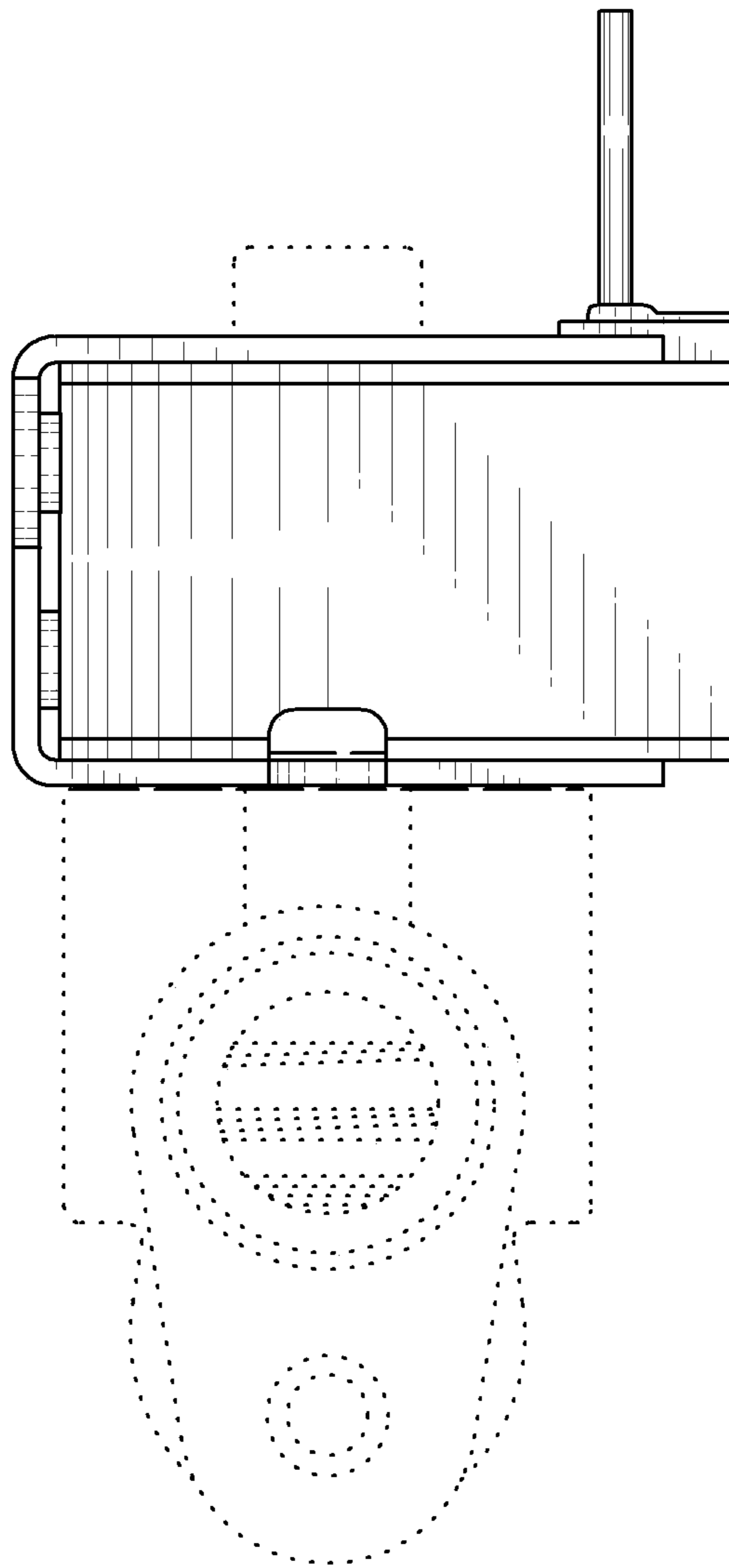


FIG. 4

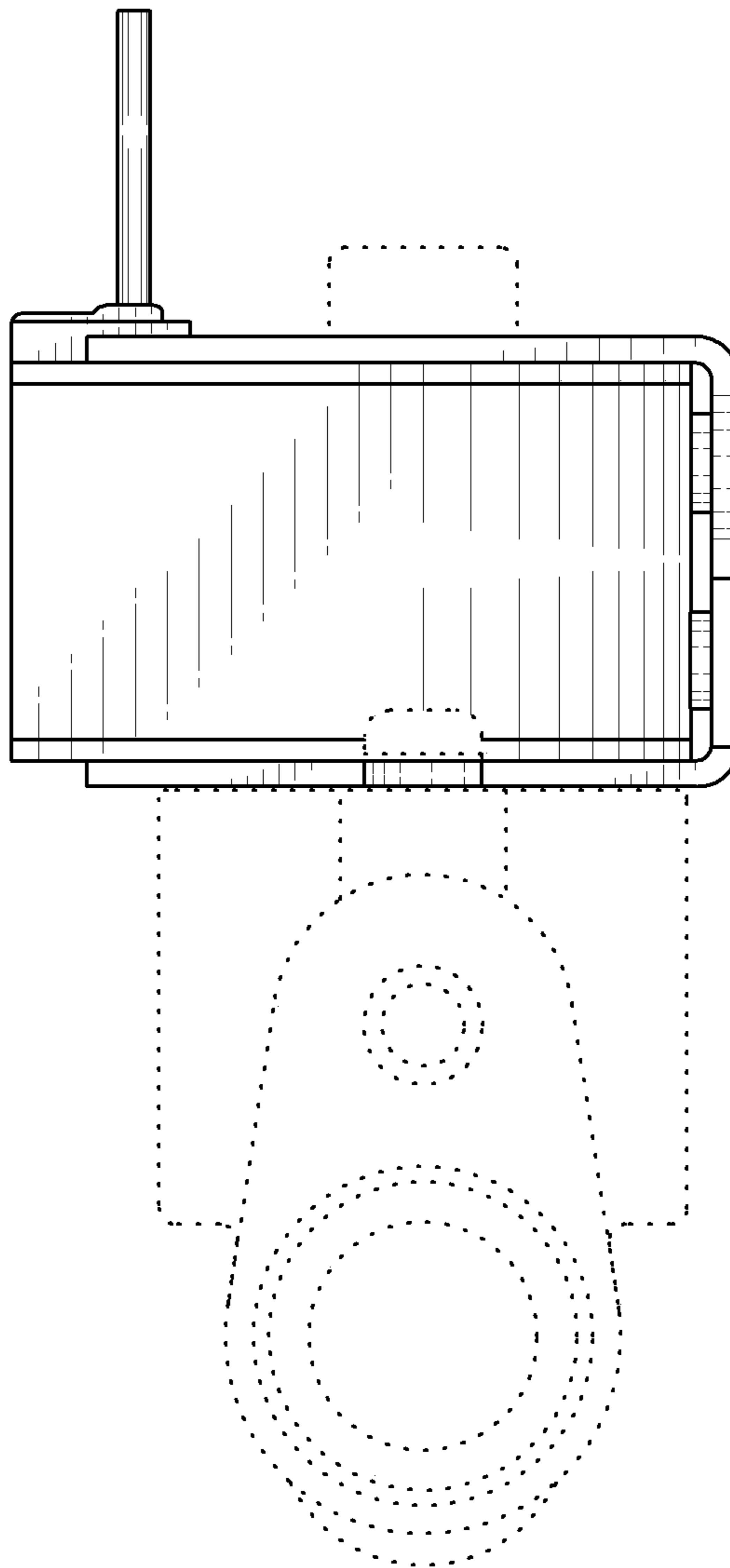


FIG. 5

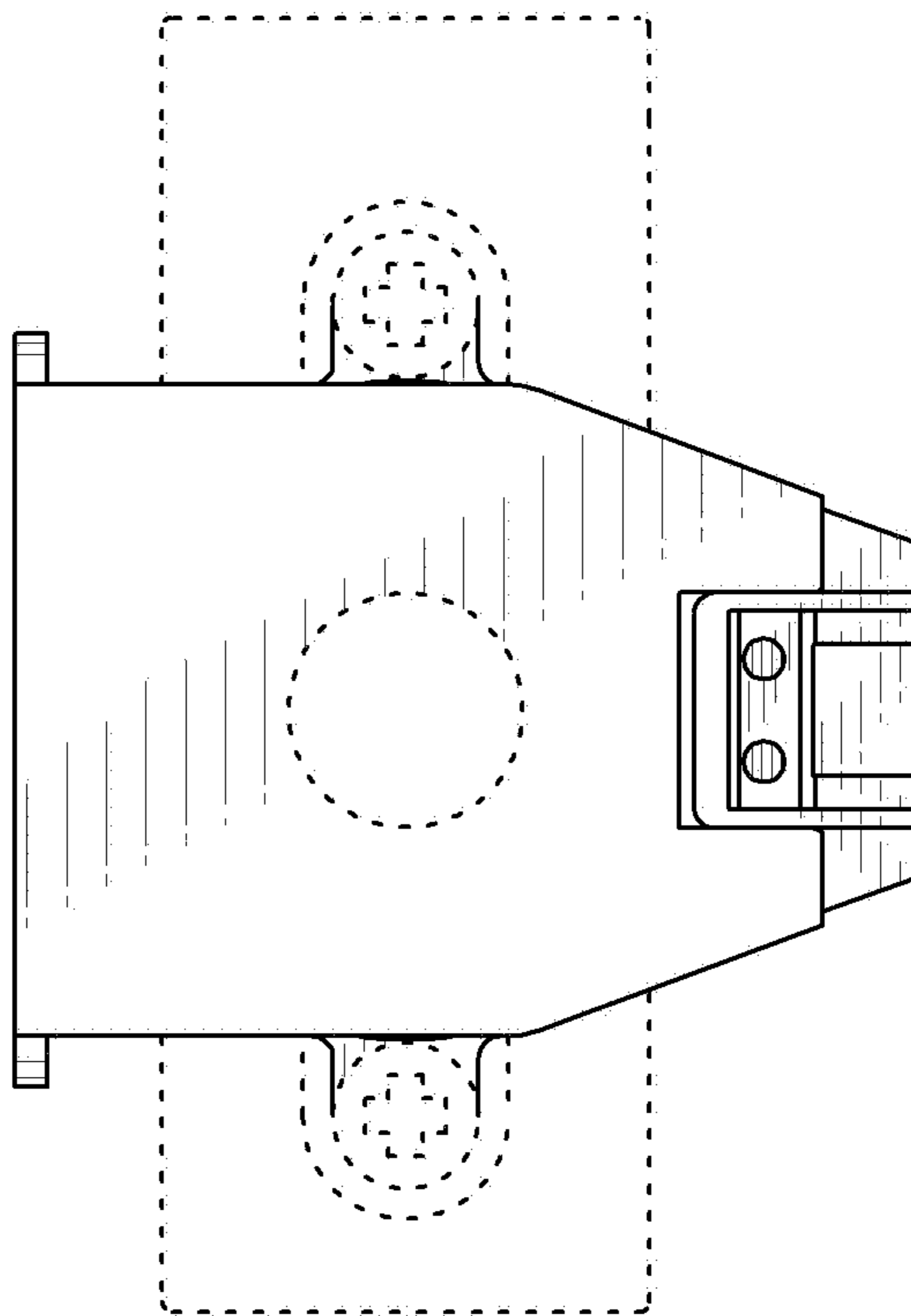


FIG. 6

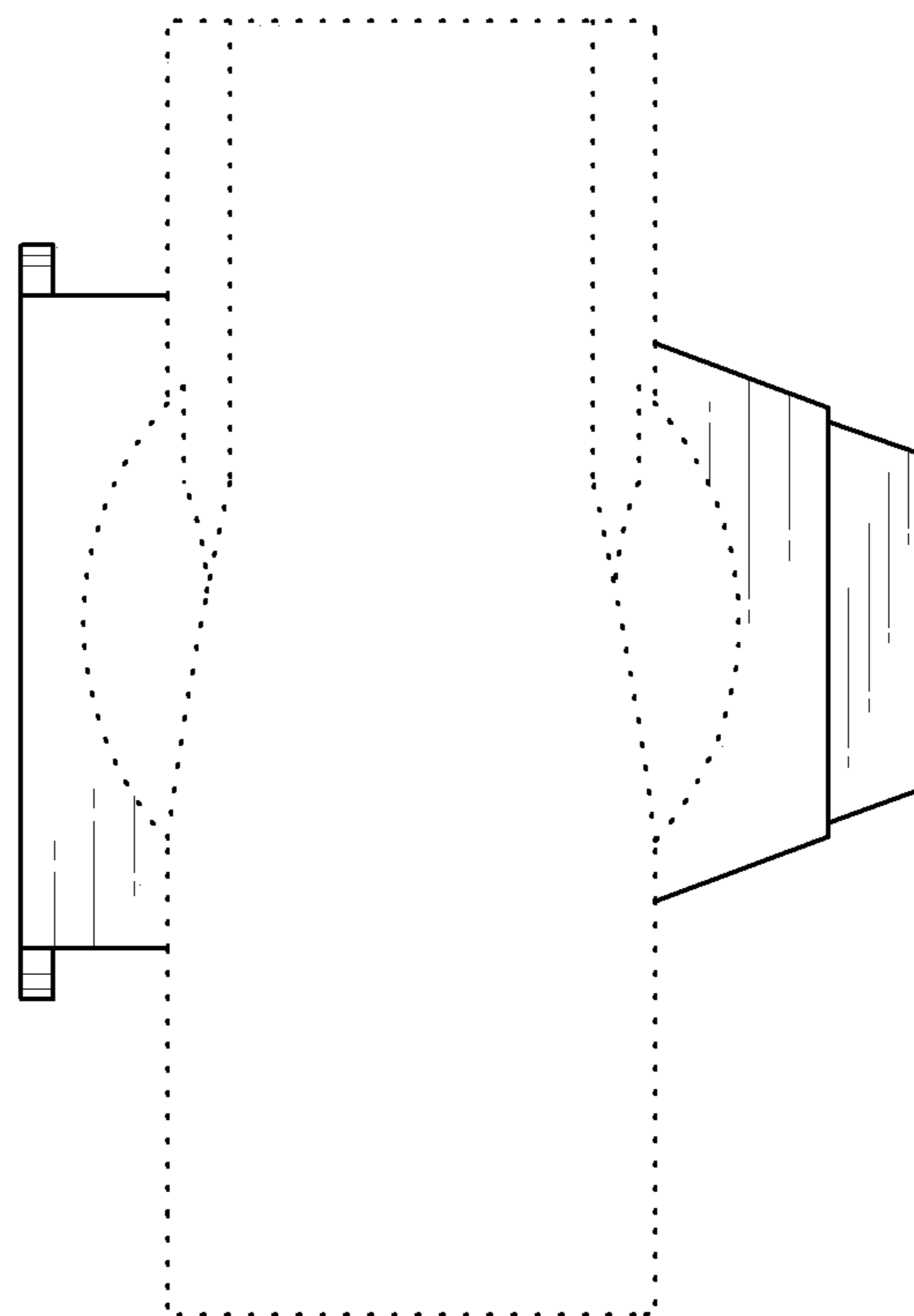


FIG. 7

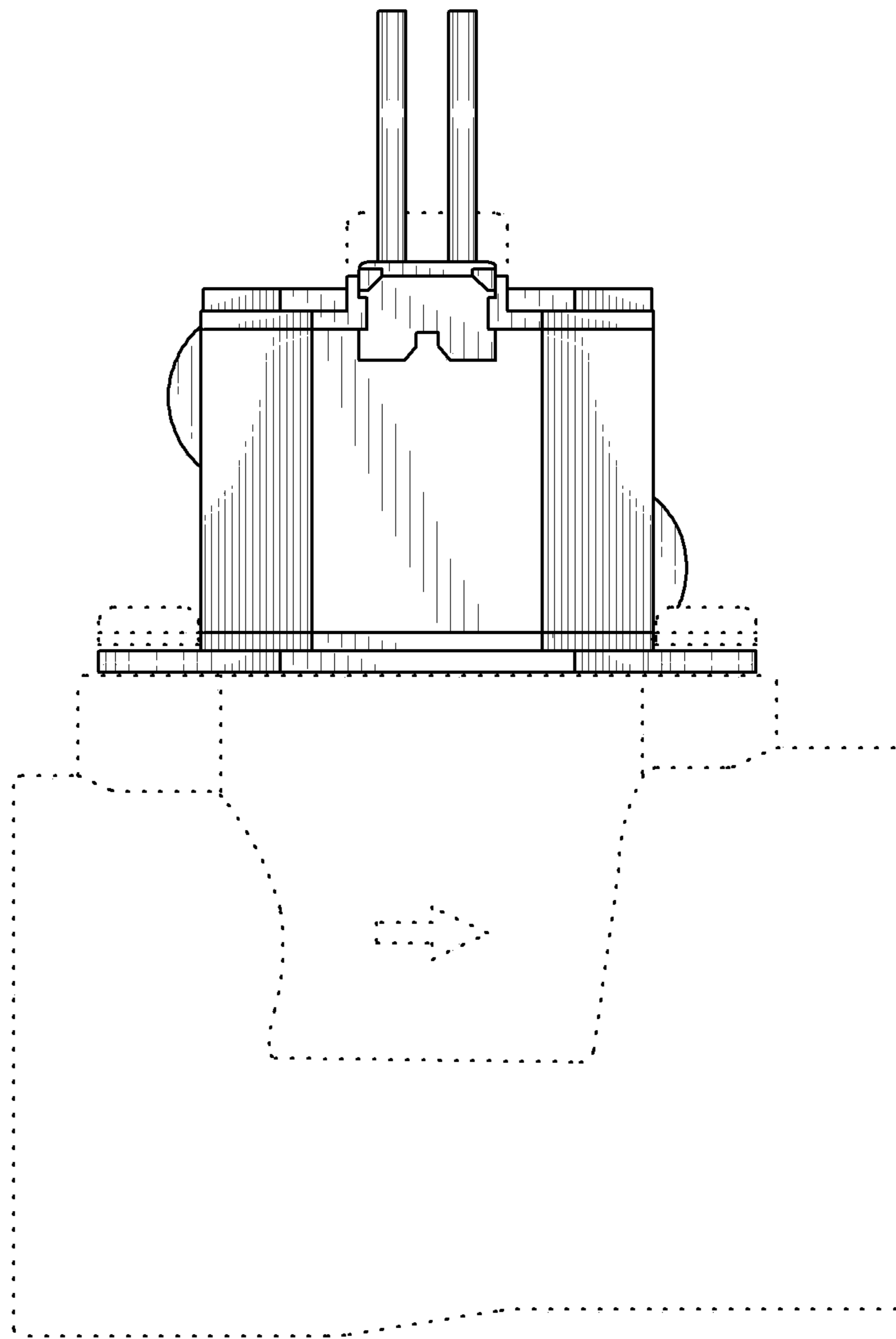


FIG. 8

