



US00D896345S

(12) **United States Design Patent** (10) **Patent No.:** **US D896,345 S**  
**Shin** (45) **Date of Patent:** **\*\* Sep. 15, 2020**

(54) **WATER SOFTENER**

(71) Applicant: **WOONGJIN COWAY CO., LTD.**,  
Choongcheongnam-do (KR)

(72) Inventor: **Karam Shin**, Seoul (KR)

(73) Assignee: **WOONGJIN COWAY CO., LTD.**,  
Choongcheongnam-do (KR)

(\*\*) Term: **15 Years**

(21) Appl. No.: **29/695,013**

(22) Filed: **Jun. 14, 2019**

(30) **Foreign Application Priority Data**

Dec. 20, 2018 (KR) ..... 30-2018-0060474

(51) **LOC (12) Cl.** ..... **23-01**

(52) **U.S. Cl.**  
USPC ..... **D23/213**

(58) **Field of Classification Search**  
USPC ..... D23/213, 214, 215, 223, 224, 226, 229,  
D23/230

CPC ..... A61H 9/0021; A61H 33/00; B05B 1/00;  
B05B 1/14; B05B 1/185; B05B 1/08;  
B05B 1/02; B05B 1/26; B05B 12/002;  
B05B 1/18; B05B 9/01

See application file for complete search history.

(56) **References Cited**

**U.S. PATENT DOCUMENTS**

D487,498 S \* 3/2004 Blomstrom ..... D23/213  
D508,730 S \* 8/2005 Blomstrom ..... D23/229  
D524,412 S \* 7/2006 Blomstrom ..... D23/229  
D680,619 S \* 4/2013 Zhadanov ..... D23/223  
D681,776 S \* 5/2013 Cutler ..... D23/223  
D694,357 S \* 11/2013 Brodey ..... D23/213  
D694,359 S \* 11/2013 Schoenherr ..... D23/213  
D707,330 S \* 6/2014 Schoenherr ..... D23/223  
D713,004 S \* 9/2014 Schoenherr ..... D23/223

D713,496 S \* 9/2014 Schoenherr ..... D23/213  
D718,418 S \* 11/2014 Georgeson ..... D23/213  
D730,493 S \* 5/2015 Sehl ..... D23/261  
D733,258 S \* 6/2015 Sandee ..... D23/223  
D737,931 S \* 9/2015 Schoenherr ..... D23/223  
D737,932 S \* 9/2015 Nikles ..... D23/223  
D743,507 S \* 11/2015 Georgeson ..... D23/252  
D746,955 S \* 1/2016 Corder ..... D23/261  
D752,711 S \* 3/2016 Georgeson ..... D23/213  
9,387,495 B2 \* 7/2016 Schumacher ..... B05B 1/30  
D778,404 S \* 2/2017 Schoenherr ..... D23/223  
D779,038 S \* 2/2017 Hanna ..... D23/223  
D779,039 S \* 2/2017 Hanna ..... D23/223

(Continued)

**OTHER PUBLICATIONS**

[https://www.amazon.com/XZST-Bathroom-Multi-Function-Rainfall-Adjustable/dp/B07BTY6Y46/ref=sr\\_1\\_28?dchild=1&keywords=shower+system&qid=1587764514&sr=8-28](https://www.amazon.com/XZST-Bathroom-Multi-Function-Rainfall-Adjustable/dp/B07BTY6Y46/ref=sr_1_28?dchild=1&keywords=shower+system&qid=1587764514&sr=8-28) (Year: 2018).\*

*Primary Examiner* — Manpreet S Matharu

*Assistant Examiner* — Keith J Wilson

(74) *Attorney, Agent, or Firm* — Millen, White, Zelano & Branigan, P.C.; William Nixon

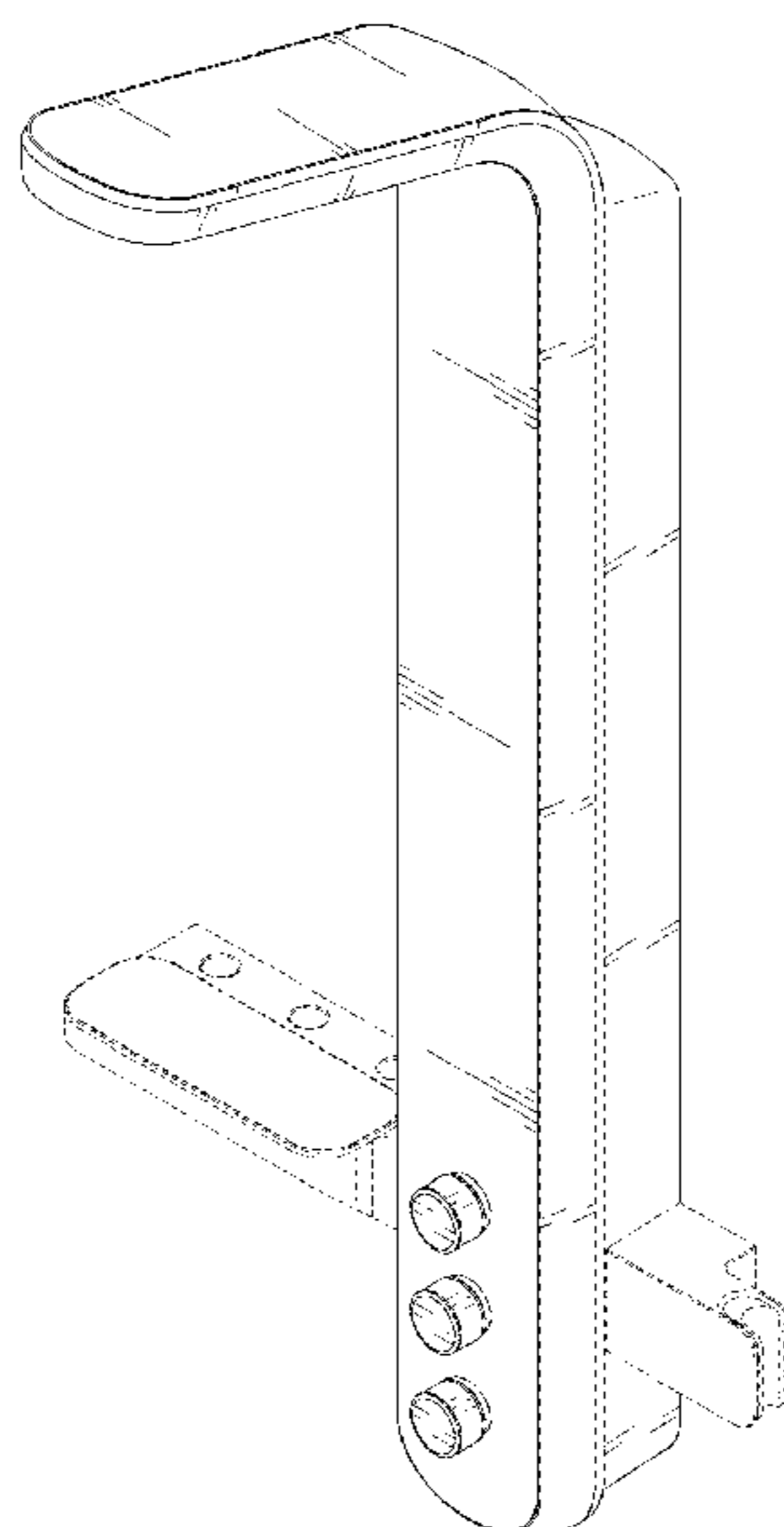
(57) **CLAIM**

The ornamental design for a water softener, as shown and described.

**DESCRIPTION**

FIG. 1 illustrates a front perspective view of the water softener showing my new design;  
FIG. 2 illustrates a front elevational view thereof;  
FIG. 3 illustrates a rear elevational view thereof;  
FIG. 4 illustrates a left side elevational view thereof;  
FIG. 5 illustrates a right side elevational view thereof;  
FIG. 6 illustrates a top plan view thereof; and,  
FIG. 7 illustrates a bottom plan view thereof.  
The broken line shown throughout the views depict portions of a water softener and form no part of the claimed design.

**1 Claim, 7 Drawing Sheets**



(56)

**References Cited**

U.S. PATENT DOCUMENTS

D801,475	S	*	10/2017	Naslund	.....	D23/213
D803,350	S	*	11/2017	Tian	.....	D23/213
D808,499	S	*	1/2018	Naslund	.....	D23/213
D809,094	S	*	1/2018	Naslund	.....	D23/213
D810,233	S	*	2/2018	Winter	.....	D23/213
D810,861	S	*	2/2018	Weaver	.....	D23/213
D811,524	S	*	2/2018	Bossini	.....	D23/223
D820,388	S	*	6/2018	Seum	.....	D23/213
D820,949	S	*	6/2018	Reinecker	.....	D23/213
D821,542	S	*	6/2018	Reinecker	.....	D23/213
D824,485	S	*	7/2018	Montoya	.....	D23/213
D833,575	S	*	11/2018	Soulier	.....	D23/223
D839,384	S	*	1/2019	Svendsen	.....	D23/213
D840,503	S	*	2/2019	Stein	.....	D23/213
D841,121	S	*	2/2019	Kiefer	.....	D23/213
D841,125	S	*	2/2019	Lai	.....	D23/223
D842,429	S	*	3/2019	Huang	.....	D23/213
D842,430	S	*	3/2019	Huang	.....	D23/213
D842,431	S	*	3/2019	Cacka	.....	D23/213
D842,967	S	*	3/2019	Farley	.....	D23/213

\* cited by examiner

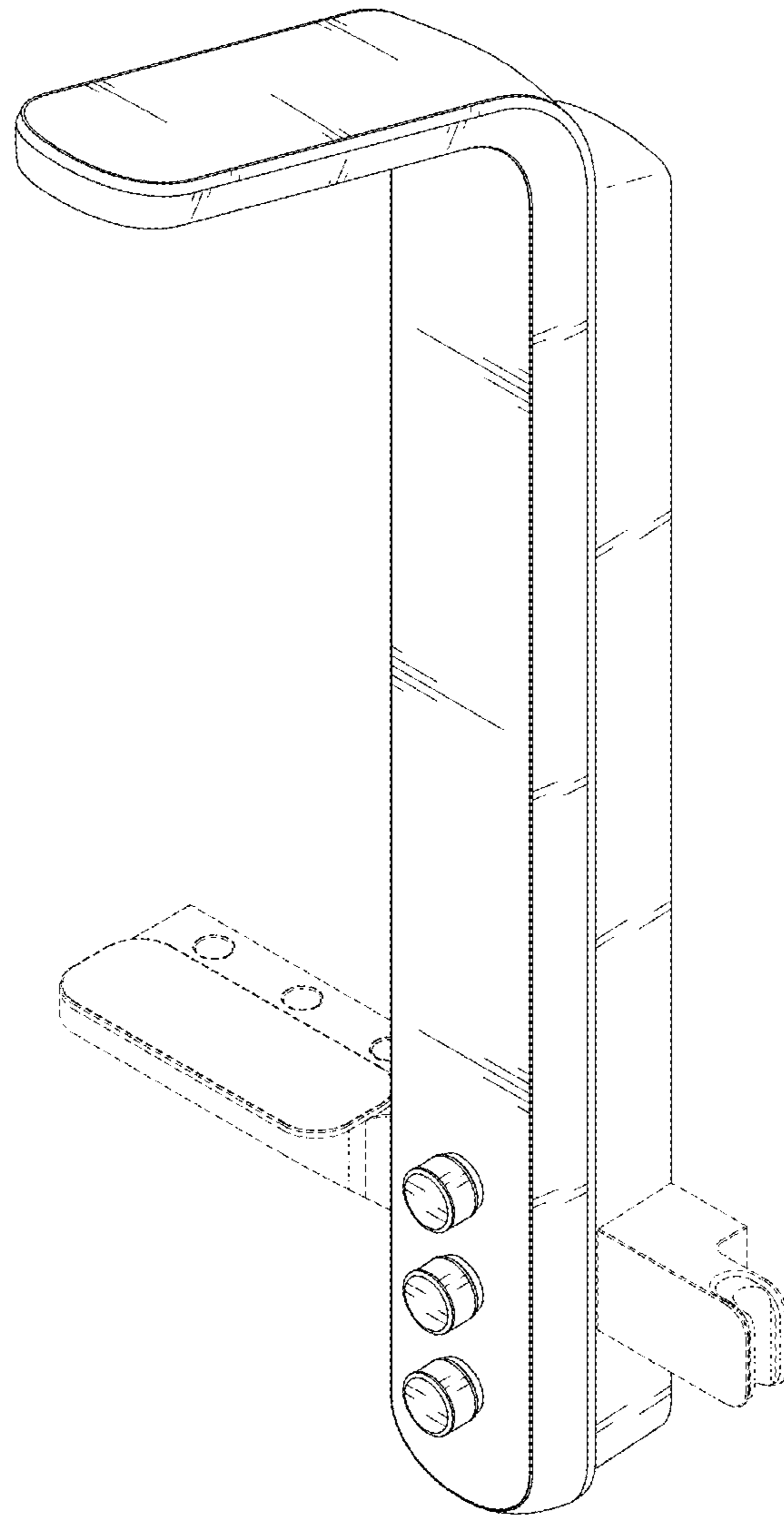


FIG. 1

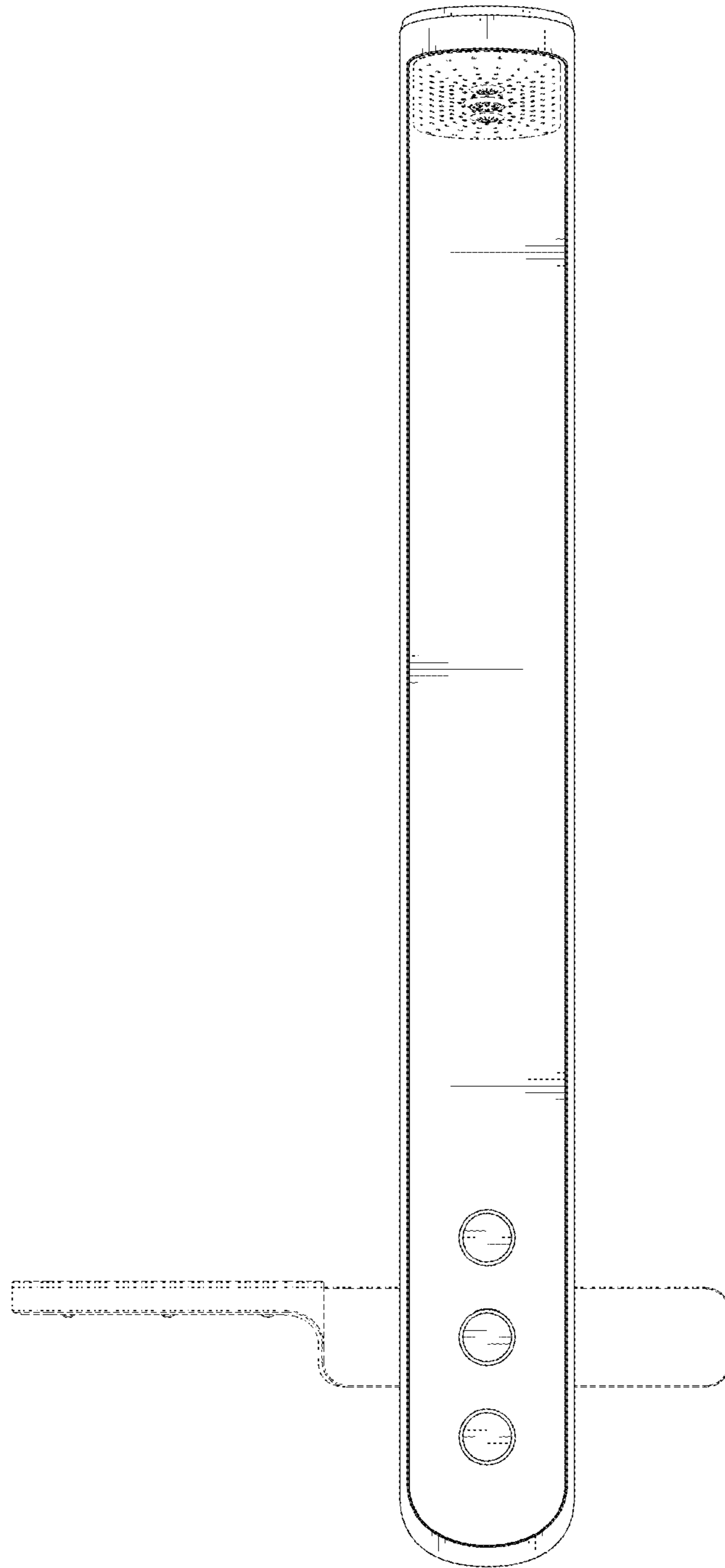


FIG. 2

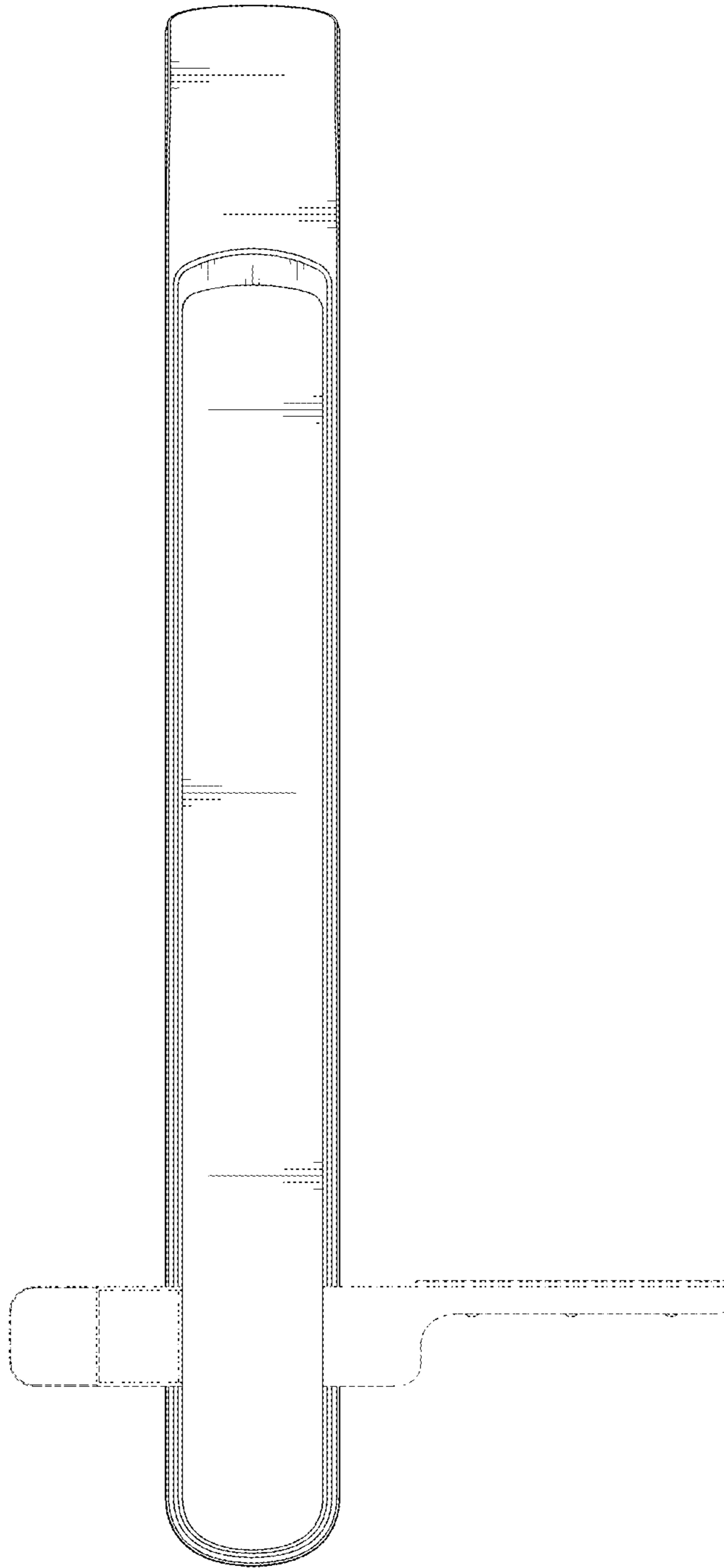


FIG. 3

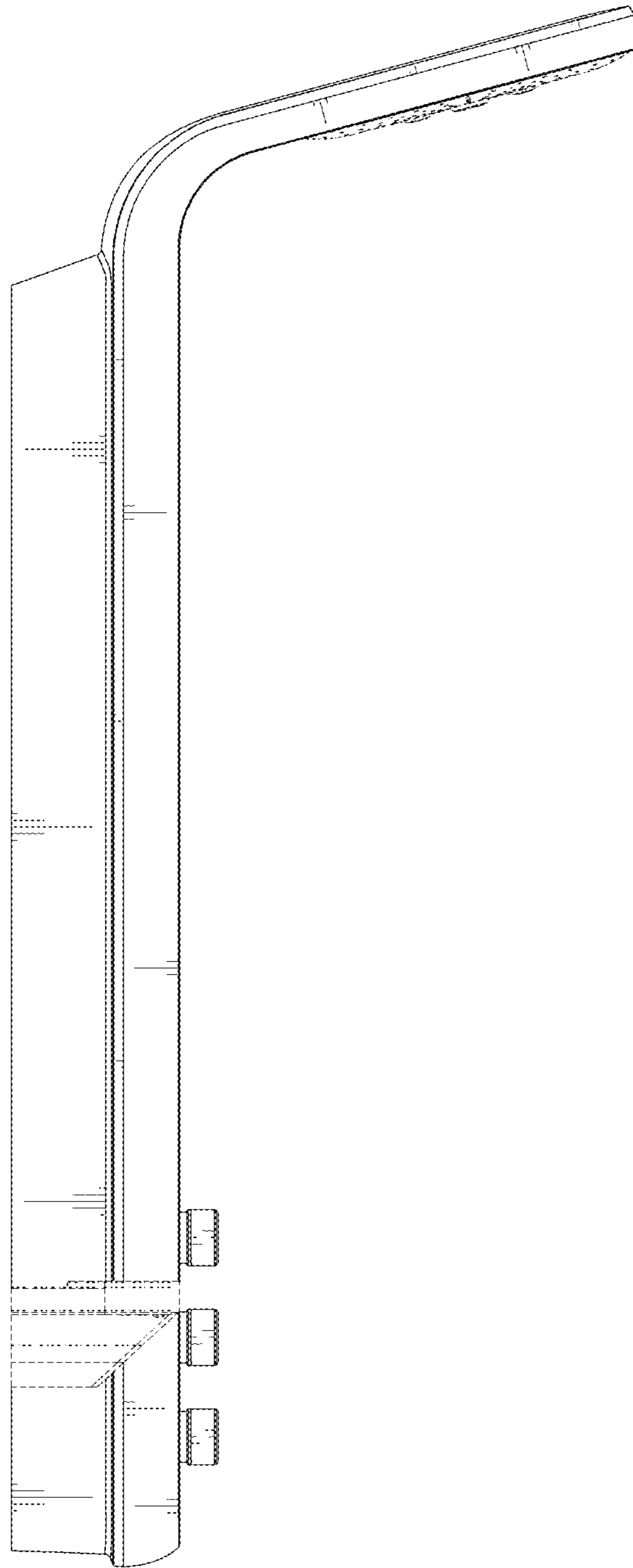


FIG. 4

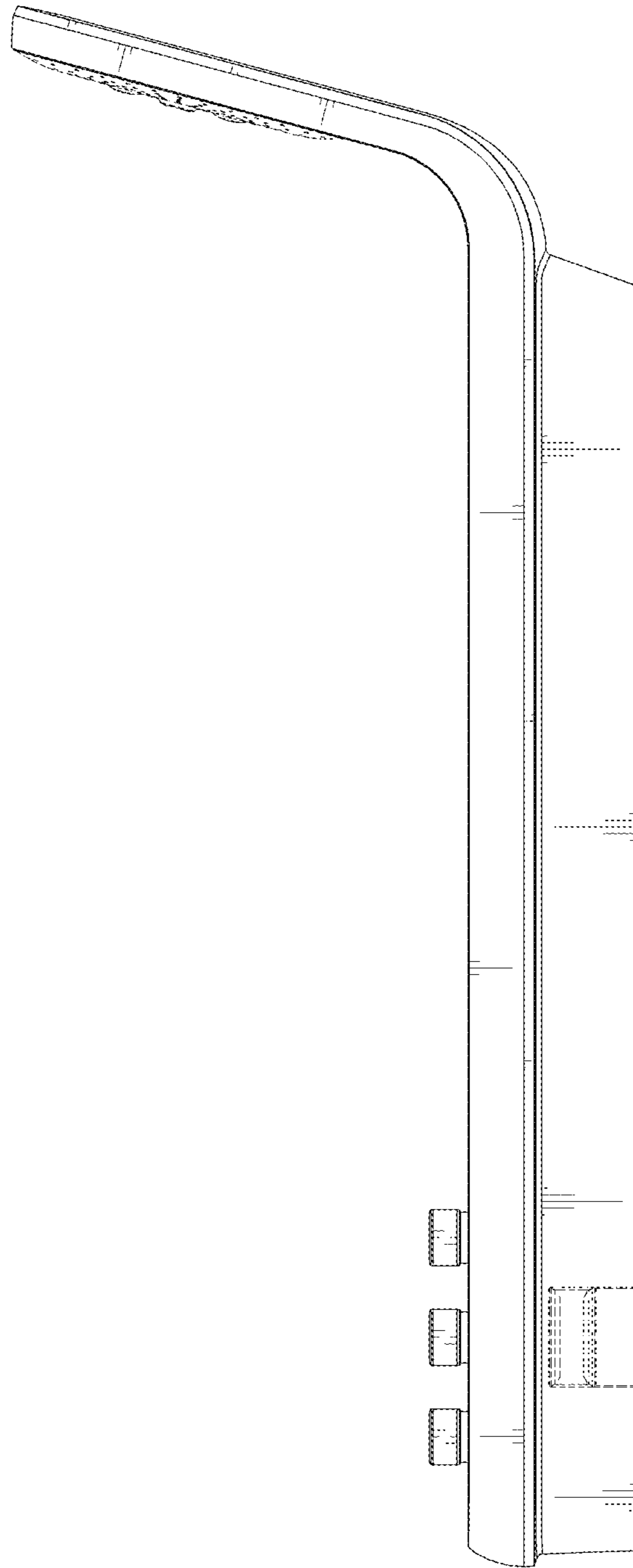


FIG. 5

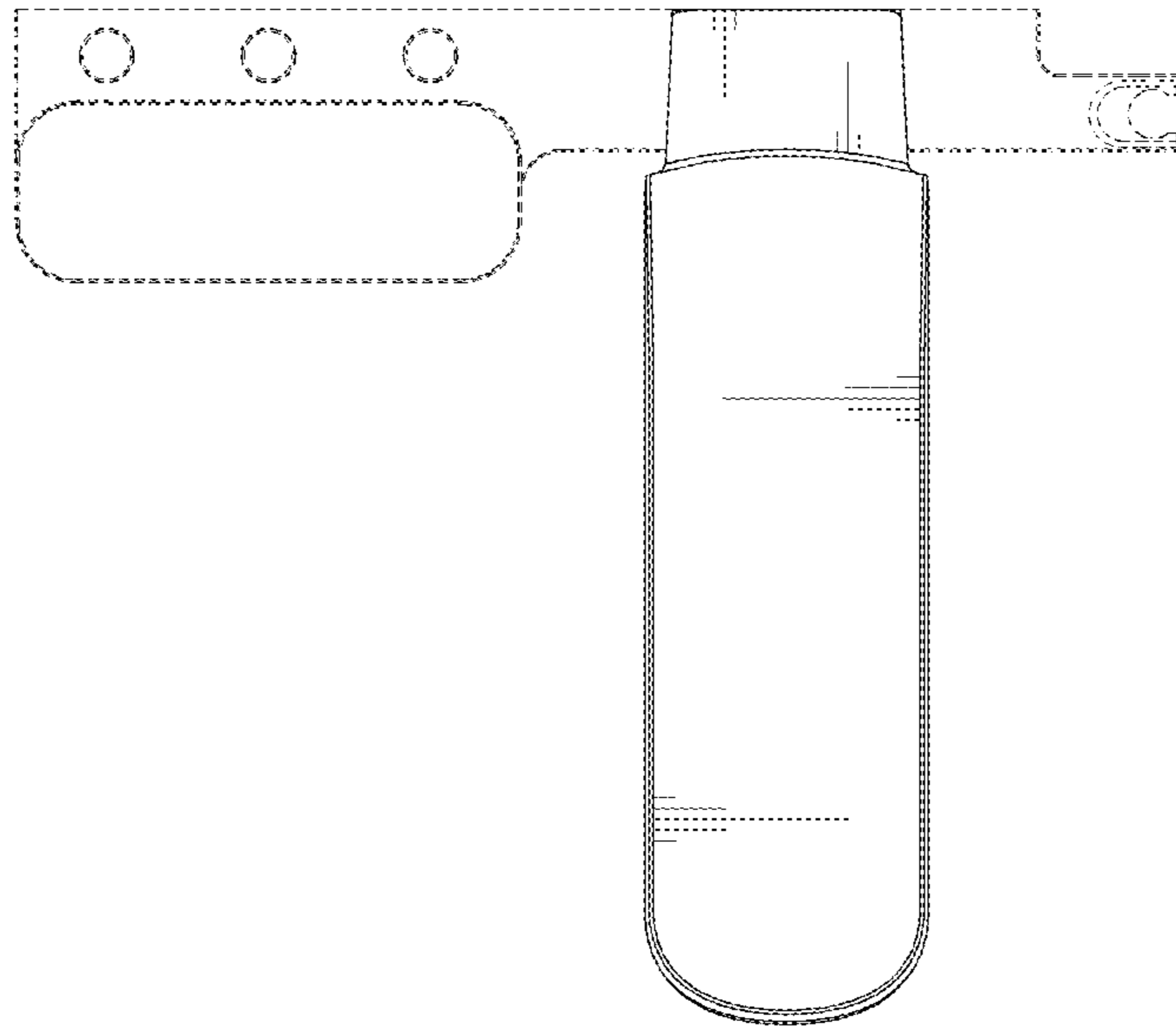


FIG. 6



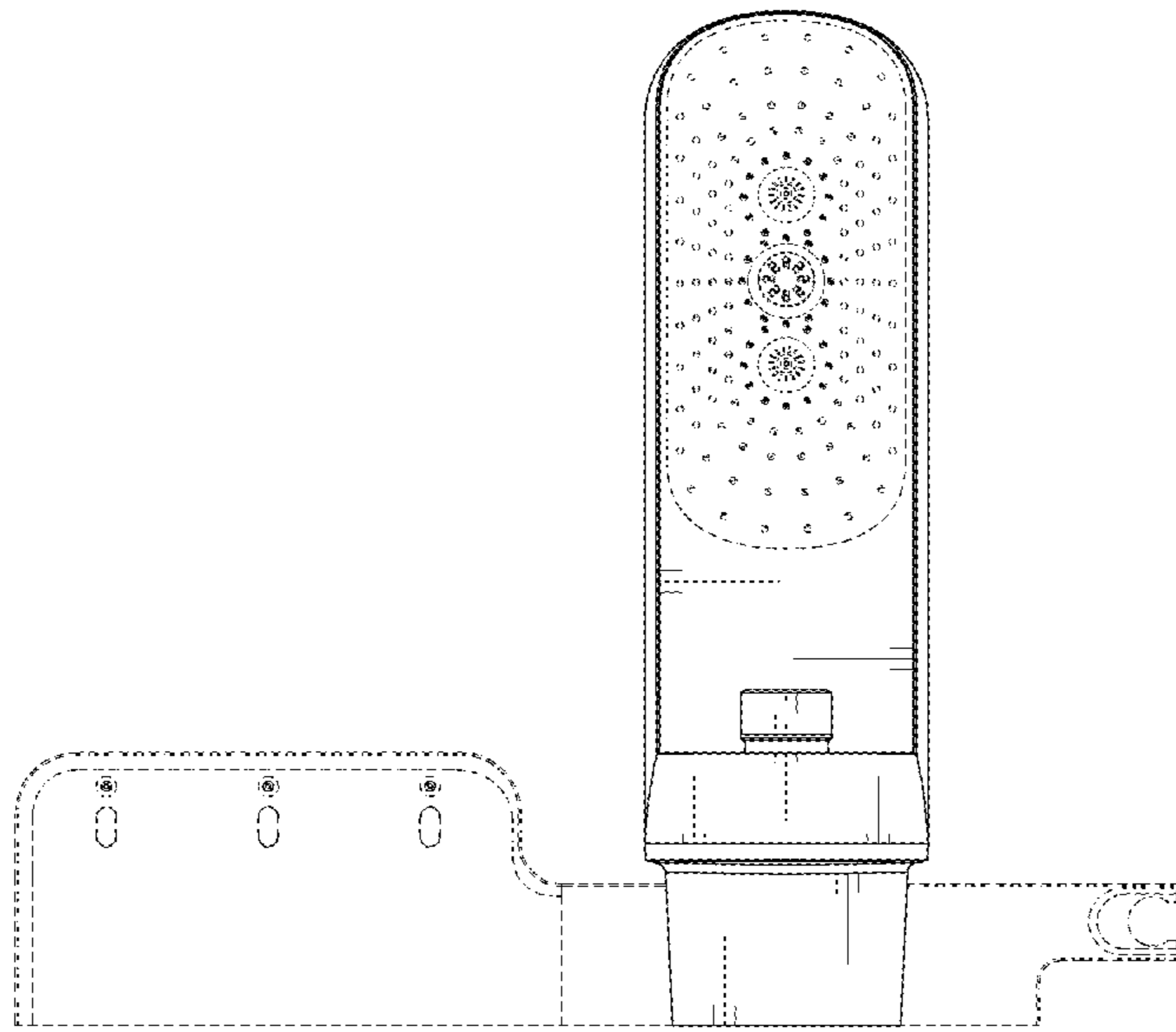


FIG. 7