



US00D896344S

(12) **United States Design Patent** (10) **Patent No.:** **US D896,344 S**
Eads (45) **Date of Patent:** **** Sep. 15, 2020**

(54) **SHOWERHEAD**
(71) Applicant: **DELTA FAUCET COMPANY,**
Indianapolis, IN (US)
(72) Inventor: **Thad Eads,** Urbana, IN (US)
(73) Assignee: **DELTA FAUCET COMPANY,**
Indianapolis, IN (US)

D610,229 S * 2/2010 Wu D23/223
D610,651 S * 2/2010 Wu D23/223
D620,077 S * 7/2010 Lee D23/223
D668,320 S * 10/2012 Weihreter D23/213
D670,358 S * 11/2012 Bai D23/223
D721,421 S * 1/2015 Hawkins D23/223
D723,137 S * 2/2015 Nikles D23/223
D832,398 S * 10/2018 Lin D23/223
D861,830 S * 10/2019 Quinn D23/223

(**) Term: **15 Years**
(21) Appl. No.: **29/664,723**

OTHER PUBLICATIONS
<https://www.aliexpress.com/i/32891454643.html?spm=2114.12057483.0.0.4c1b7242iCbTPo> (Year: 2019).*

(22) Filed: **Sep. 27, 2018**
(51) **LOC (12) Cl.** **23-01**
(52) **U.S. Cl.**
USPC **D23/213**
(58) **Field of Classification Search**
USPC D23/213, 214, 215, 223, 224, 226, 229,
D23/230
CPC A61H 9/0021; A61H 33/00; B05B 1/00;
B05B 1/14; B05B 1/185; B05B 1/08;
B05B 1/02; B05B 1/26; B05B 12/002;
B05B 1/18; B05B 9/01
See application file for complete search history.

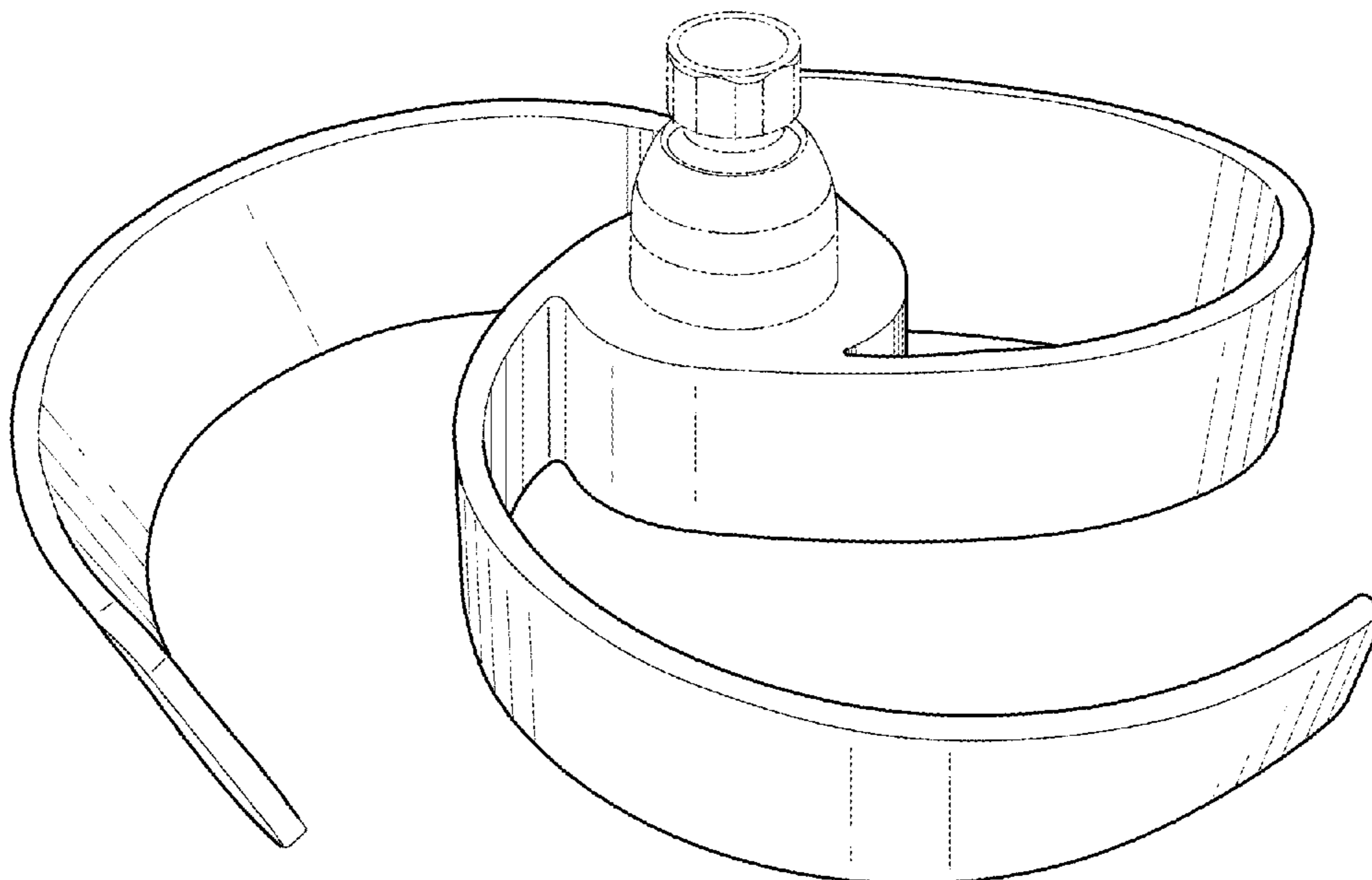
* cited by examiner
Primary Examiner — Manpreet S Matharu
Assistant Examiner — Keith J Wilson
(74) *Attorney, Agent, or Firm* — Nirav D. Parikh; Edgar
A. Zarins

(56) **References Cited**
U.S. PATENT DOCUMENTS
D426,614 S * 6/2000 Wang D23/214
D510,610 S * 10/2005 Bailey D23/223
D540,428 S * 4/2007 Christianson D23/214
D560,269 S * 1/2008 Tse D23/223
D566,231 S * 4/2008 Lammel D23/223
D578,181 S * 10/2008 Pan D23/213
D578,604 S * 10/2008 Wu D23/223
D578,605 S * 10/2008 Wu D23/223
D578,606 S * 10/2008 Wu D23/223
D578,608 S * 10/2008 Wu D23/229

(57) **CLAIM**
The ornamental design for a showerhead, as shown and described.

DESCRIPTION
FIG. 1 is a first perspective view of a showerhead showing my new design;
FIG. 2 is a second perspective view thereof;
FIG. 3 is a first side view thereof;
FIG. 4 is a second side view thereof;
FIG. 5 is a third side view thereof;
FIG. 6 is a fourth side view thereof;
FIG. 7 is a top plan view thereof; and,
FIG. 8 is a bottom view thereof.
The broken lines shown represent portions of a showerhead and form no part of the claimed design.

1 Claim, 8 Drawing Sheets



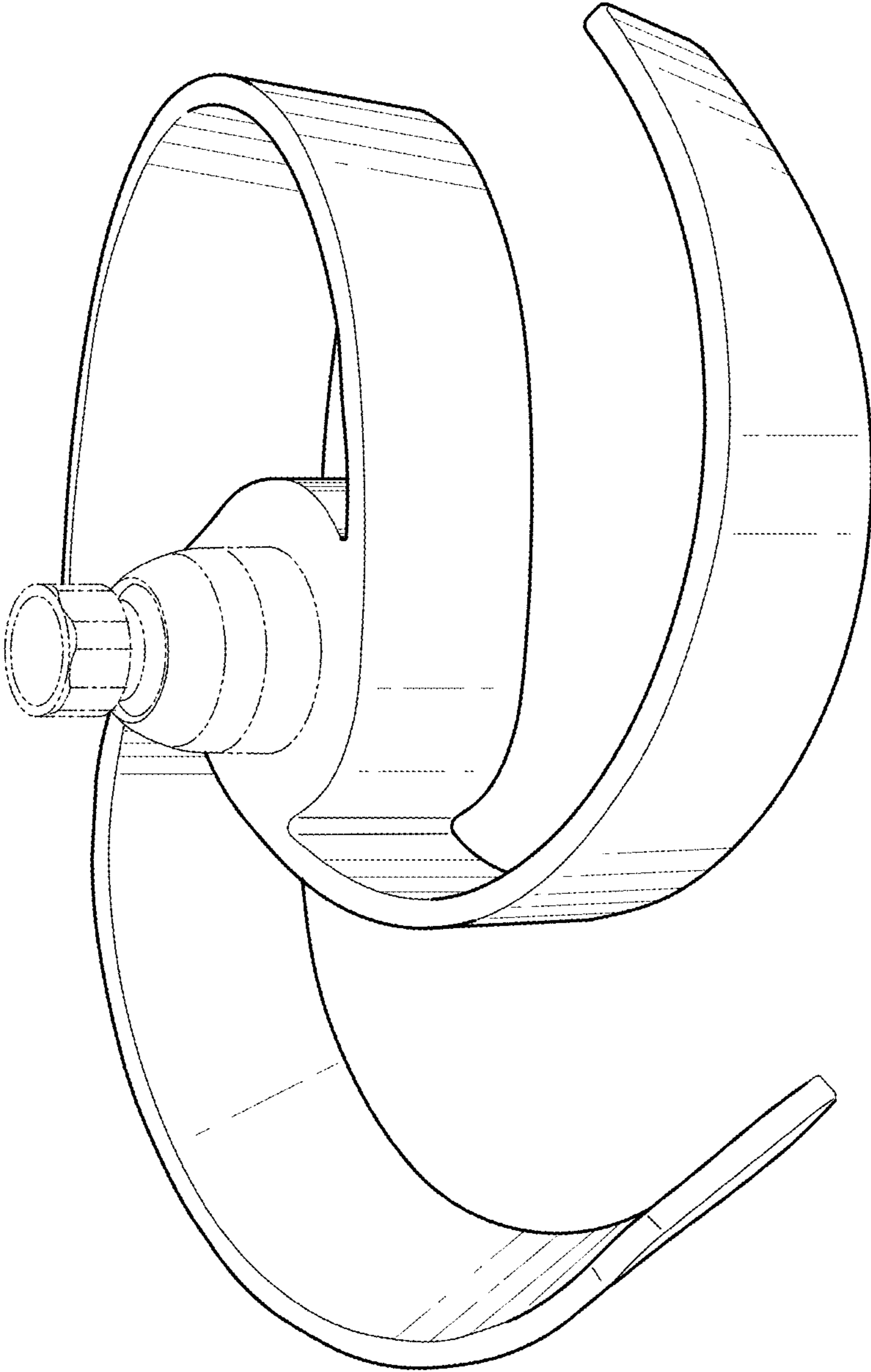


Fig-1

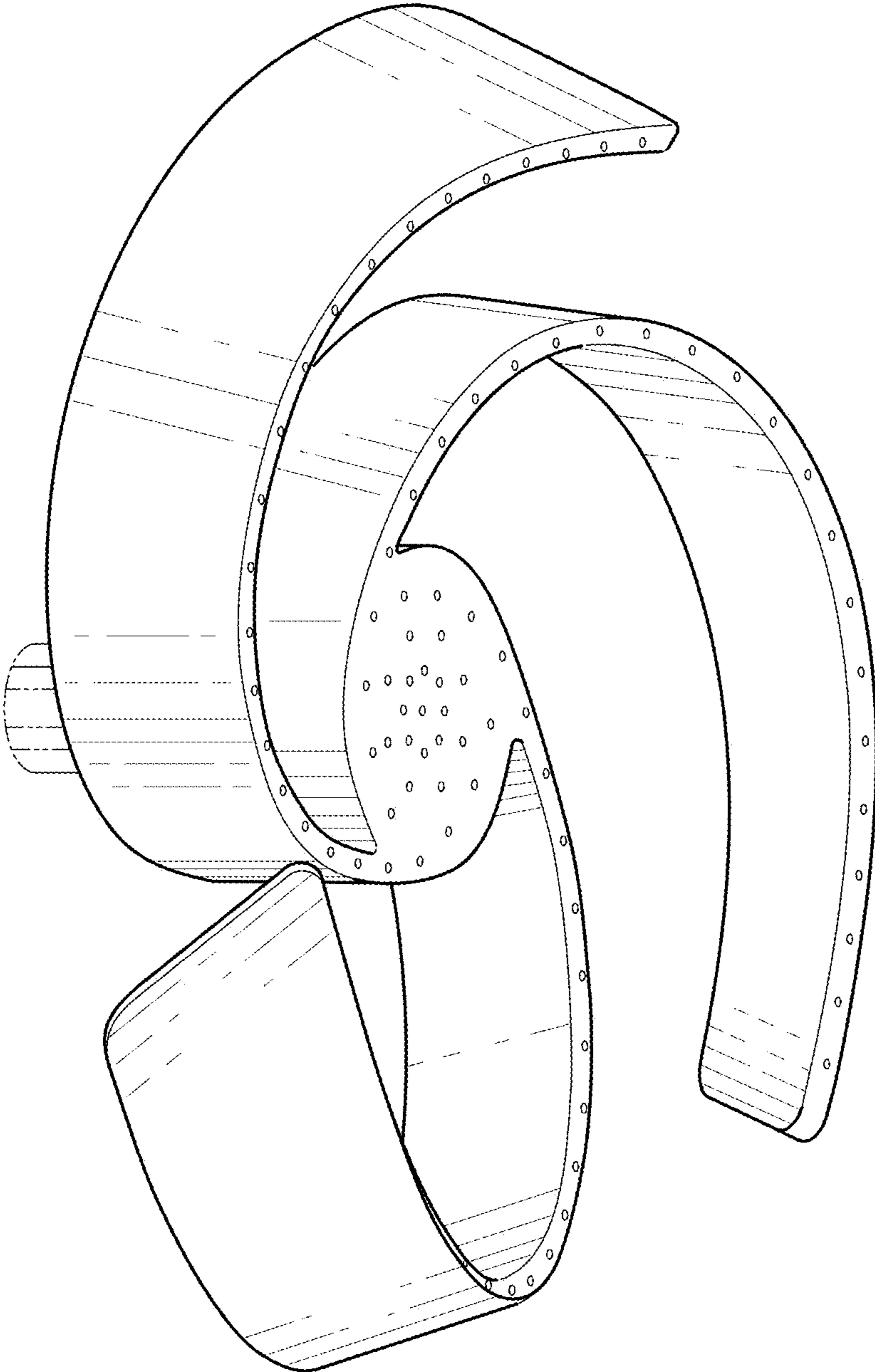


Fig-2

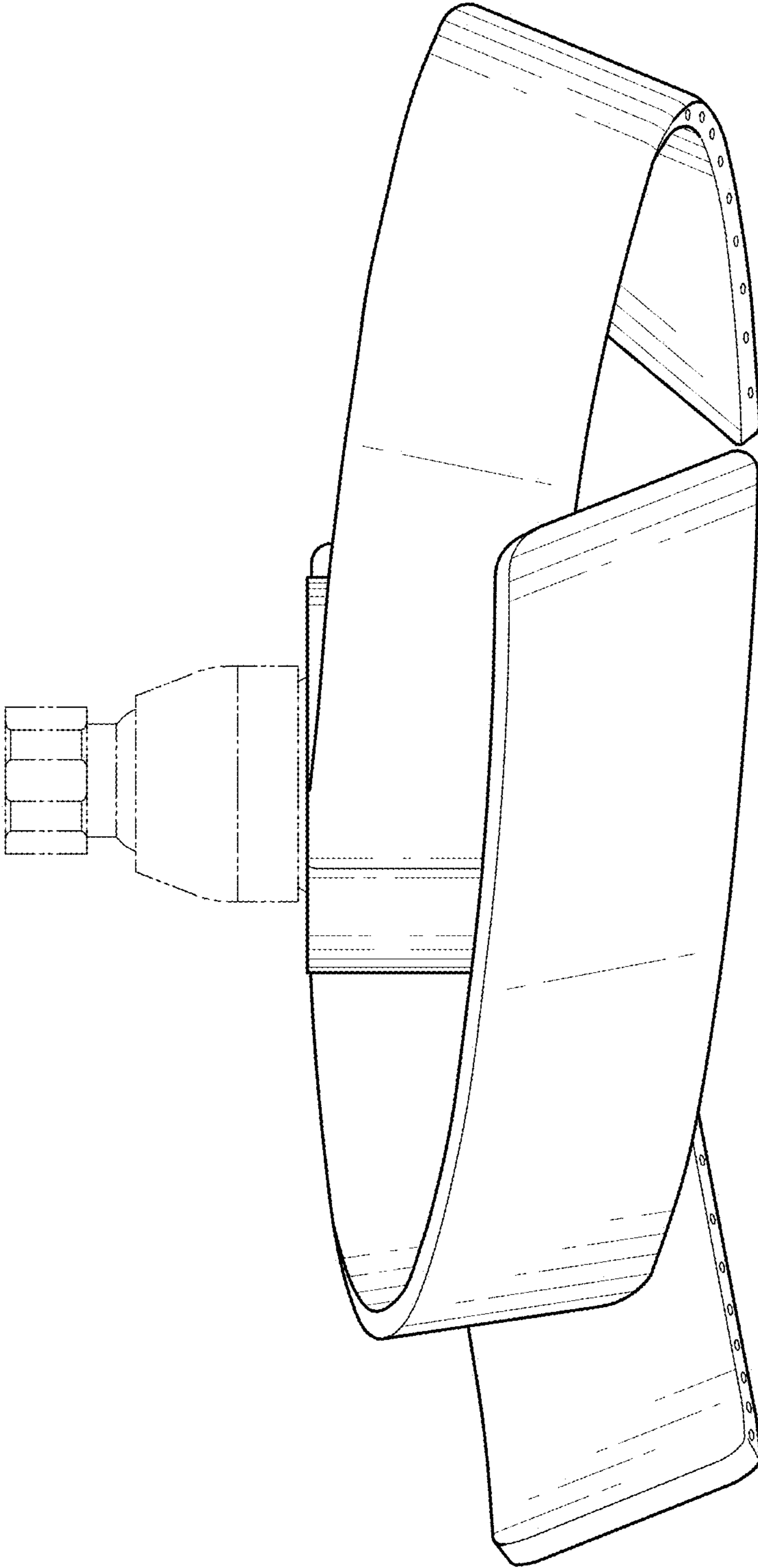


Fig-3

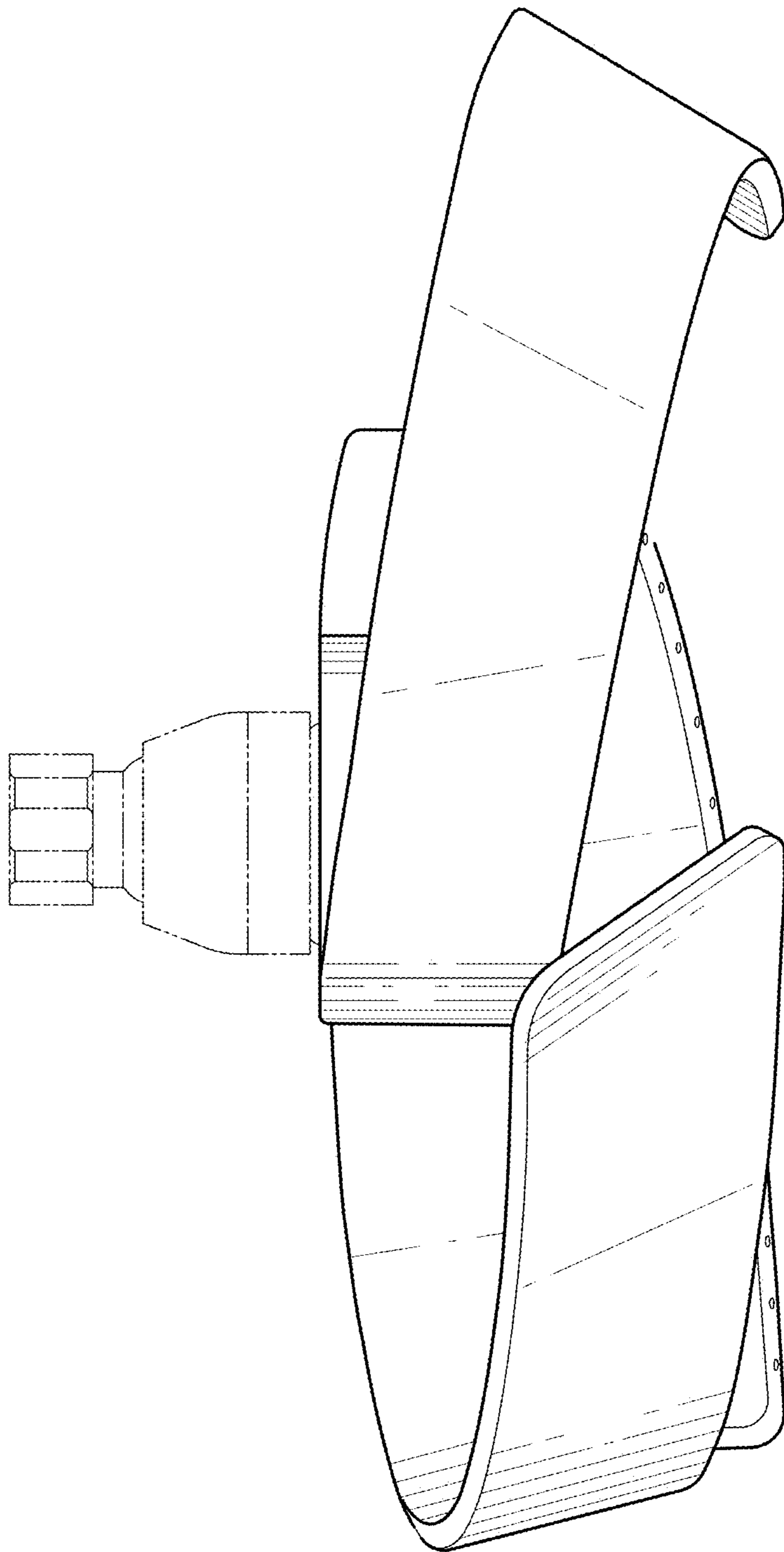


Fig-4

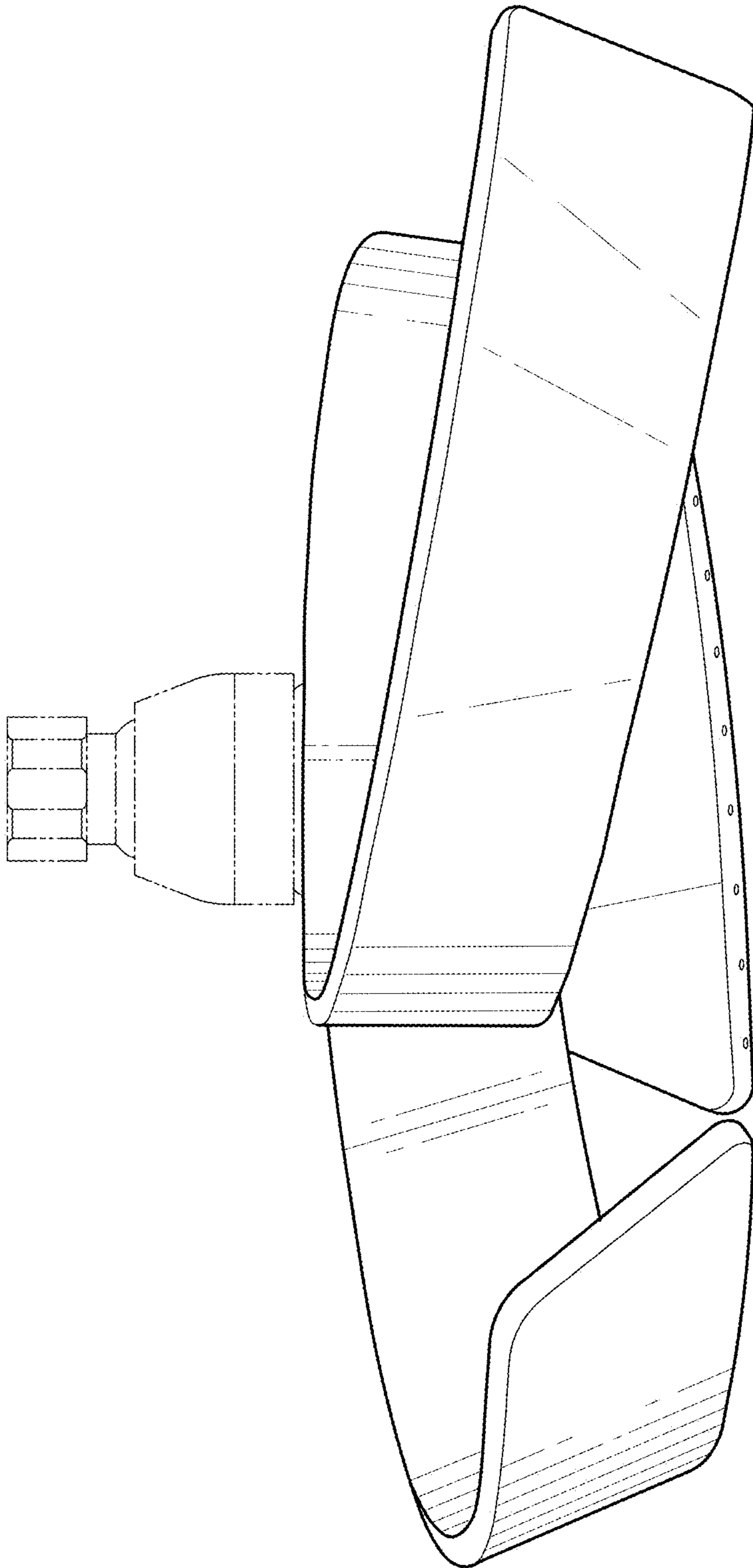


Fig-5

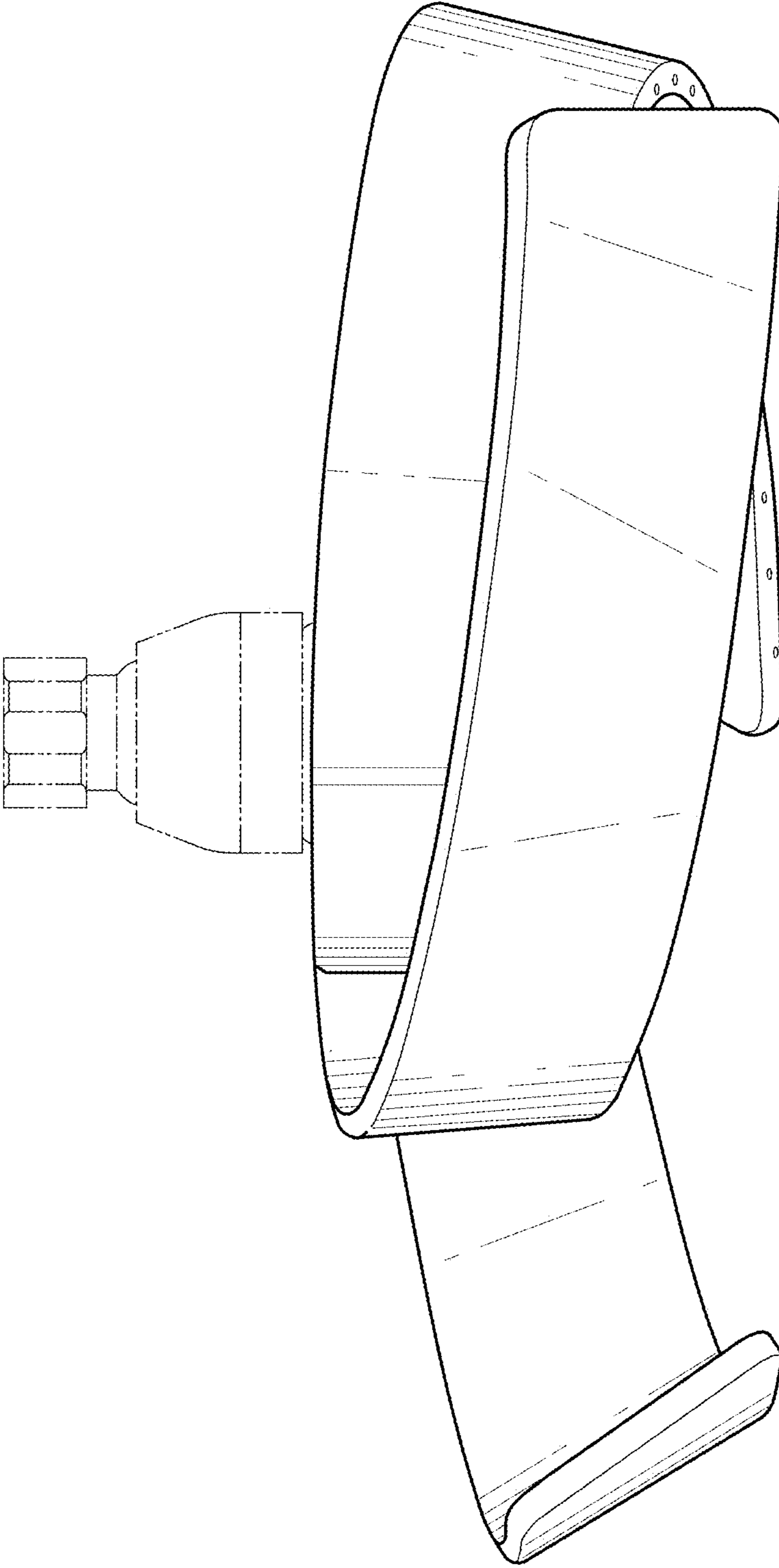


Fig-6

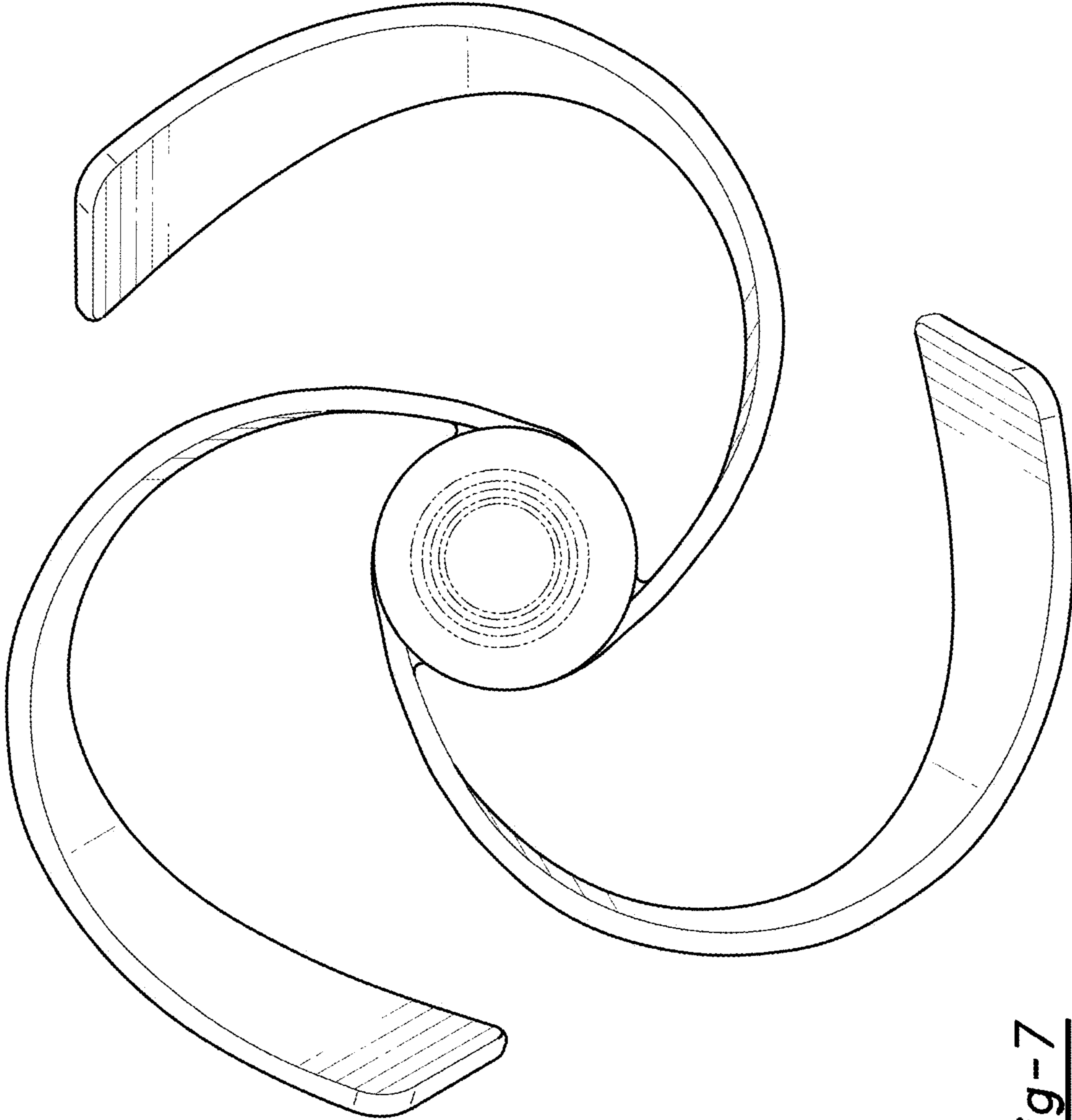


Fig-7

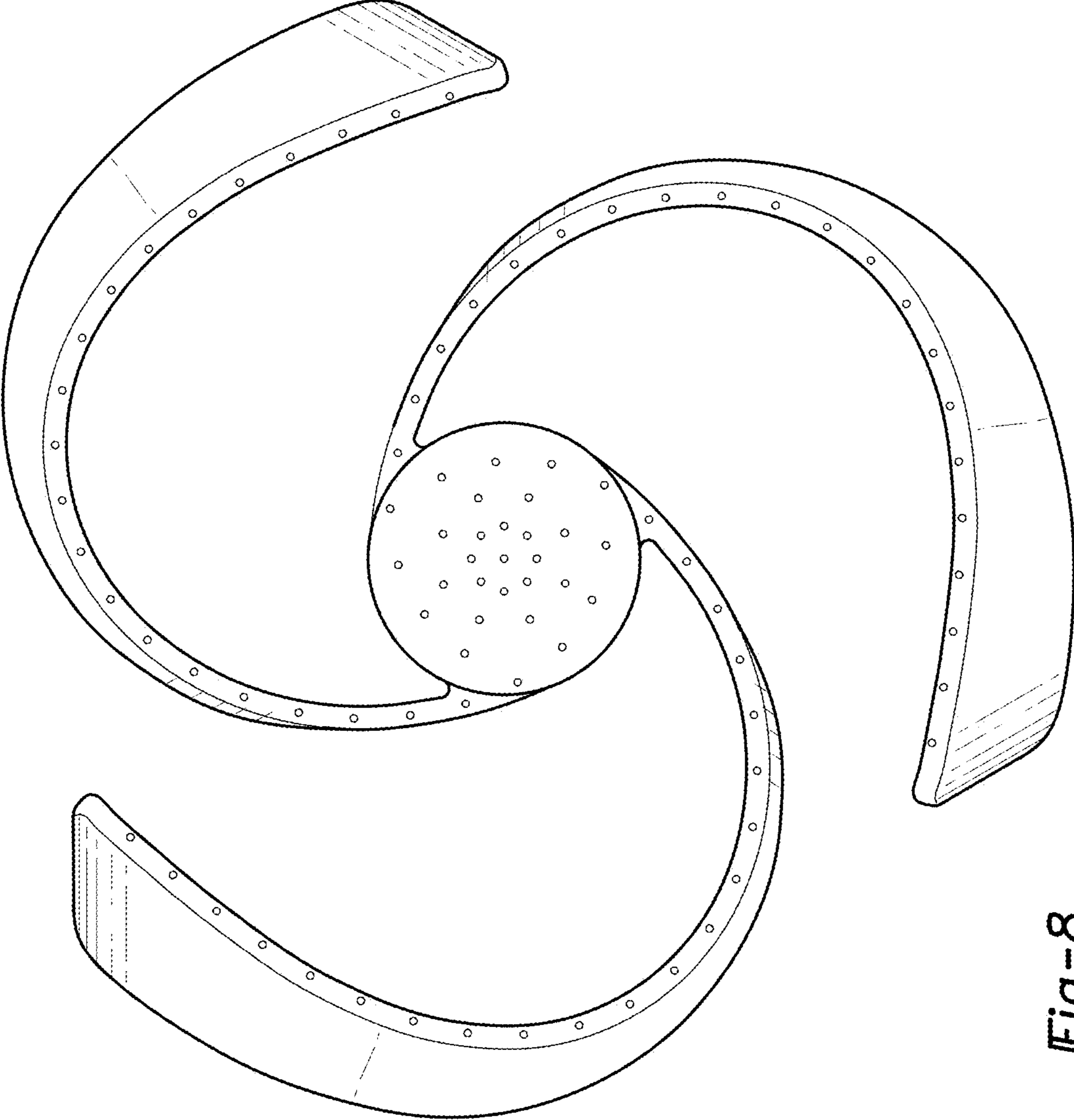


Fig-8