



US00D896340S

(12) **United States Design Patent**  
**Derus et al.**

(10) **Patent No.:** **US D896,340 S**  
(45) **Date of Patent:** **\*\* Sep. 15, 2020**

- (54) **AMMUNITION MAGAZINE LOADER**
- (71) Applicant: **MagPump, LLC**, Henrietta, NY (US)
- (72) Inventors: **Michael W. Derus**, Victor, NY (US);  
**Kenneth P. Green**, Lunenburg, VA (US)
- (73) Assignee: **MagPump, LLC**, Henrietta, NY (US)
- (\*\*) Term: **15 Years**
- (21) Appl. No.: **29/650,745**
- (22) Filed: **Jun. 8, 2018**
- (51) **LOC (12) Cl.** ..... **22-99**
- (52) **U.S. Cl.**  
USPC ..... **D22/199; D22/108**
- (58) **Field of Classification Search**  
USPC ..... D22/100, 101, 103, 104, 105, 108, 107,  
D22/109, 110, 111, 199; D21/567, 569,  
D21/570, 571, 573, 574, 575  
CPC .... F41G 1/30; F42B 5/28; F41C 23/16; F41A  
23/16; F41A 23/18; F41A 9/83  
See application file for complete search history.

(56) **References Cited**

**U.S. PATENT DOCUMENTS**

1,786,537 A	12/1930	Vaclav
2,098,234 A	11/1937	Garand
2,326,816 A	8/1943	Woodberry
2,394,033 A	2/1946	Wossum
2,419,242 A	4/1947	Woodberry
2,451,521 A	10/1948	Uglum
2,623,803 A	12/1952	Gamble
2,783,570 A	3/1957	Kunz

(Continued)

**FOREIGN PATENT DOCUMENTS**

GB 443103 A 2/1936

**OTHER PUBLICATIONS**

“9MM MagPump How-To Video” [online]. MagPump. [Published on Apr 3, 2018]. Retrieved from the Internet: <https://www.youtube.com/watch?v=ctX6iVoiWHc>.\*

*Primary Examiner* — Khawaja Anwar  
*Assistant Examiner* — Mojtaba Tehrani  
(74) *Attorney, Agent, or Firm* — Barclay Damon LLP

(57) **CLAIM**

The ornamental design for an ammunition magazine loader, as shown and described.

**DESCRIPTION**

A portion of the disclosure of this patent document contains or may contain material which is subject to copyright protection. The copyright owner has no objection to the photocopy reproduction by anyone of the patent document in exactly the form it appears in the Patent and Trademark Office patent file or records, but otherwise reserves all copyrights whatsoever.

FIG. 1 is a front elevation view of the ammunition magazine loader.

FIG. 2 is a rear elevation view of the ammunition magazine loader.

FIG. 3 is a left side elevation view of the ammunition magazine loader.

FIG. 4 is a right side elevation view of the ammunition magazine loader.

FIG. 5 is a top view of the ammunition magazine loader.

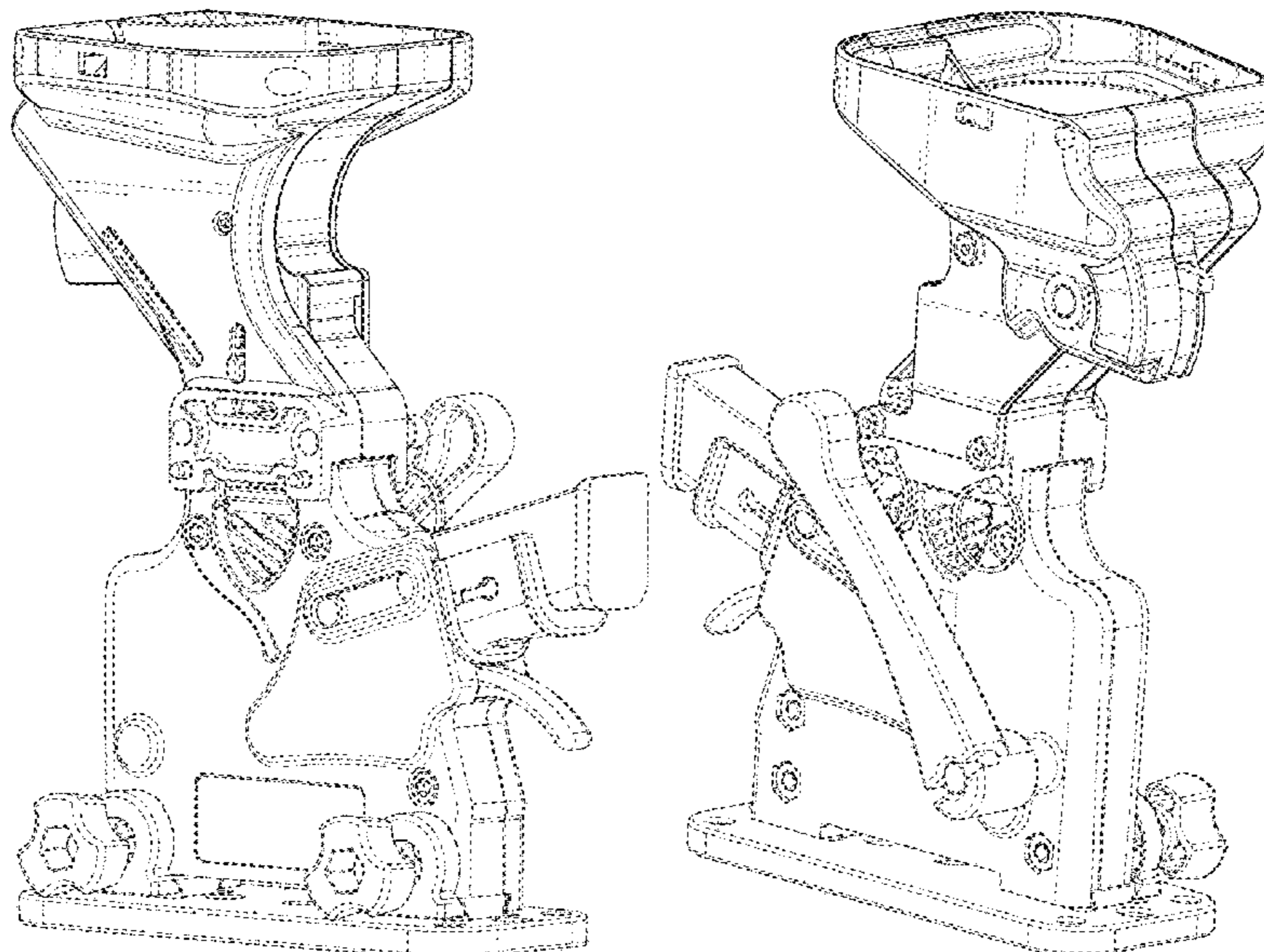
FIG. 6 is a bottom view of the ammunition magazine loader.

FIG. 7 is a left isometric view of the ammunition magazine loader; and,

FIG. 8 is a right isometric view of the ammunition magazine loader.

The dashed, broken lines in the drawings are shown for illustrative purposes only and form no part of the claimed design. The long-short-long, broken lines in the drawings define the bounds of the claimed design and form no part of the claimed design.

**1 Claim, 8 Drawing Sheets**



(56)

References Cited

U.S. PATENT DOCUMENTS

3,292,293 A 12/1966 Chiasera et al.  
 3,628,273 A 12/1971 Lach  
 3,789,531 A 2/1974 Kersten et al.  
 4,261,680 A 4/1981 Carnley et al.  
 4,570,371 A 2/1986 Mears  
 4,614,052 A 9/1986 Brown et al.  
 4,736,667 A 4/1988 Kochevar  
 4,739,572 A \* 4/1988 Brandenburg ..... F41A 9/83  
 42/87  
 4,879,829 A 11/1989 Miller et al.  
 4,939,862 A 7/1990 Brandenburg  
 4,949,495 A 8/1990 Mari  
 4,970,820 A 11/1990 Miller et al.  
 5,301,449 A 4/1994 Jackson  
 6,754,987 B1 6/2004 Cheng  
 D503,960 S 4/2005 Gangi et al.  
 7,059,077 B2 6/2006 Tal  
 8,438,962 B2 \* 5/2013 Duneman ..... F42B 33/10  
 86/23  
 D697,999 S \* 1/2014 Firment ..... D22/108  
 D711,490 S \* 8/2014 Hahin ..... D22/108

8,904,913 B2 \* 12/2014 Duneman ..... F42B 33/004  
 86/23  
 D728,066 S \* 4/2015 Tal ..... D22/199  
 9,091,500 B1 7/2015 Kim  
 9,354,008 B1 \* 5/2016 Cifers ..... F41A 9/83  
 9,612,070 B2 \* 4/2017 Hatch ..... F41A 9/67  
 9,719,741 B1 \* 8/2017 Cifers ..... F41A 9/83  
 D823,420 S 7/2018 Fischer  
 10,240,879 B2 3/2019 Fischer  
 2003/0046854 A1 3/2003 Urchek  
 2004/0159036 A1 8/2004 Newman  
 2005/0081421 A1 4/2005 Tal  
 2014/0033592 A1 2/2014 Fiorucci  
 2014/0311008 A1 10/2014 McPhee  
 2014/0317985 A1 \* 10/2014 Cauley, Jr. .... F41A 9/83  
 42/87  
 2015/0377573 A1 \* 12/2015 Niccum ..... F41A 9/83  
 42/87  
 2016/0305726 A1 10/2016 Mokuolu  
 2017/0051992 A1 \* 2/2017 Cottrell ..... F41A 9/83  
 2017/0067707 A1 \* 3/2017 Zivic ..... F41A 9/83  
 2019/0170465 A1 6/2019 Fischer  
 2019/0226781 A1 \* 7/2019 Derus ..... F41A 9/83

\* cited by examiner

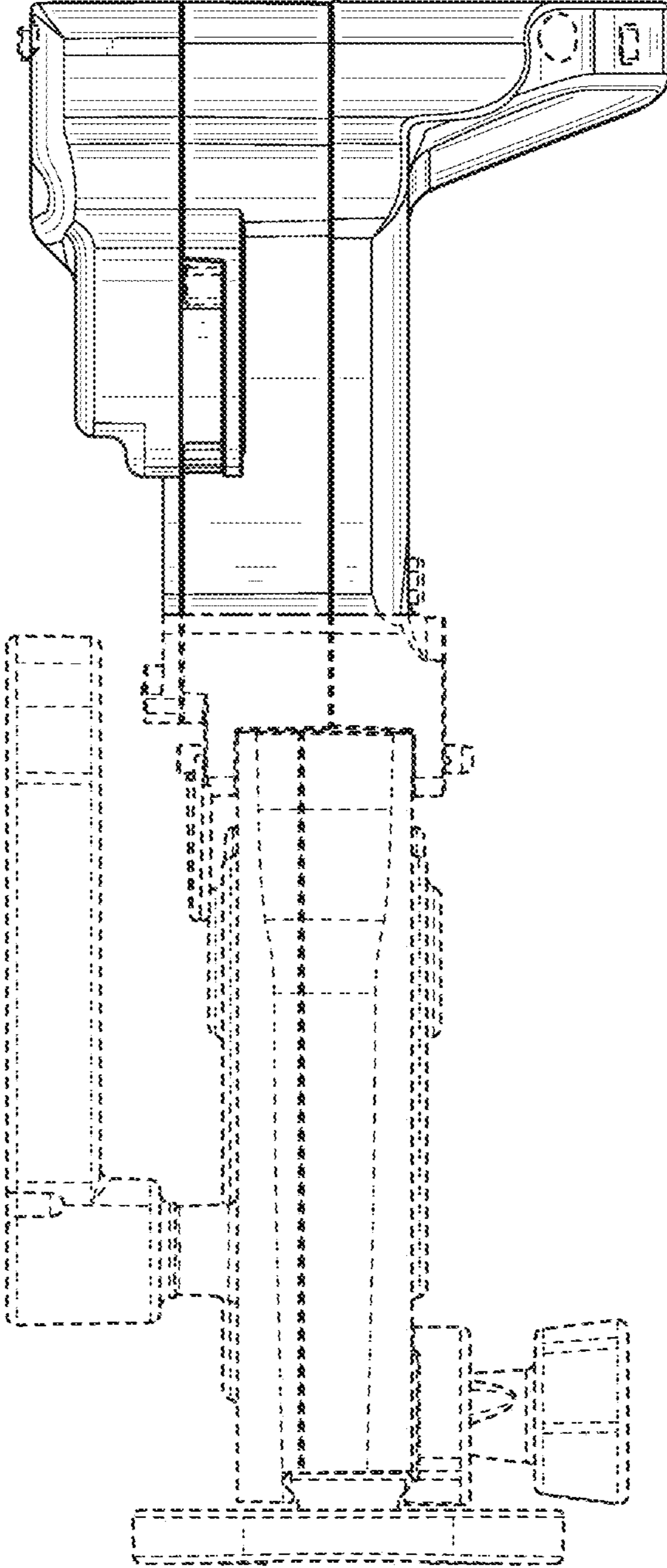


FIG. 1

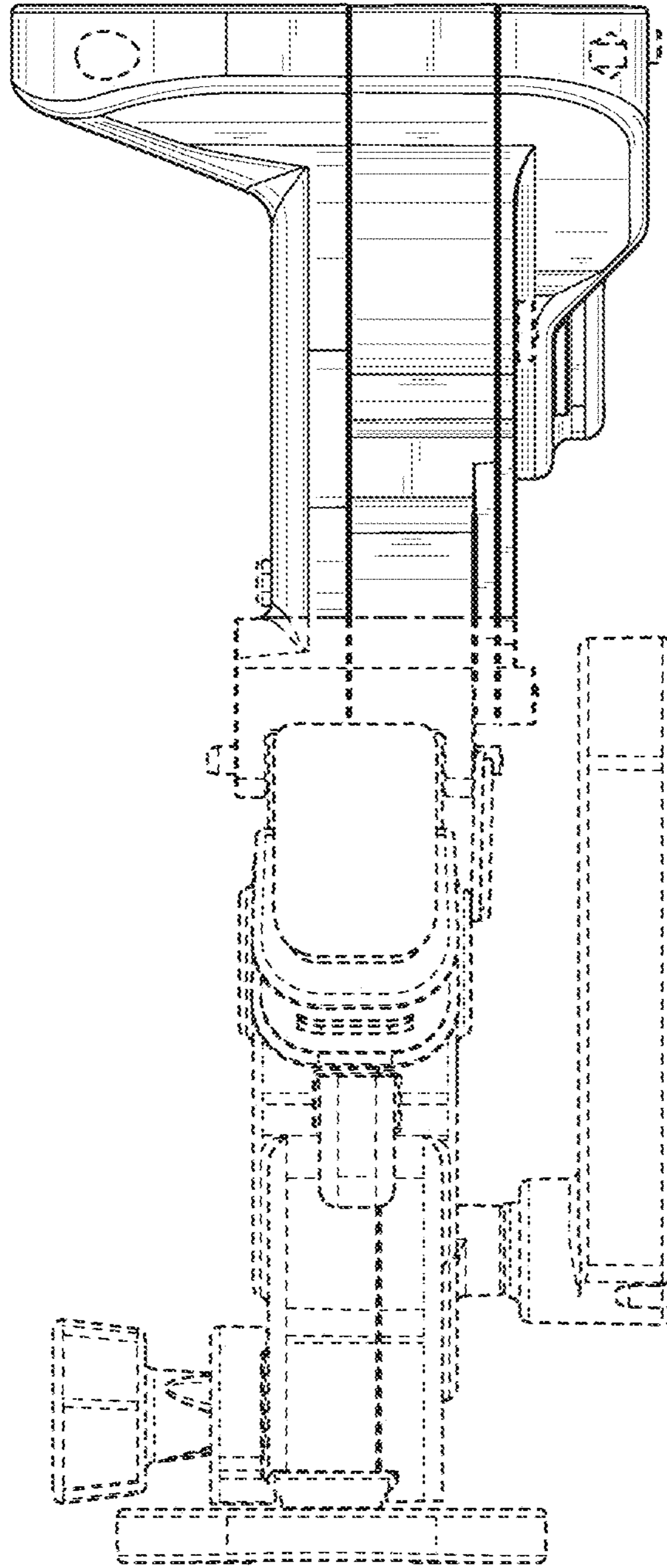


FIG. 2

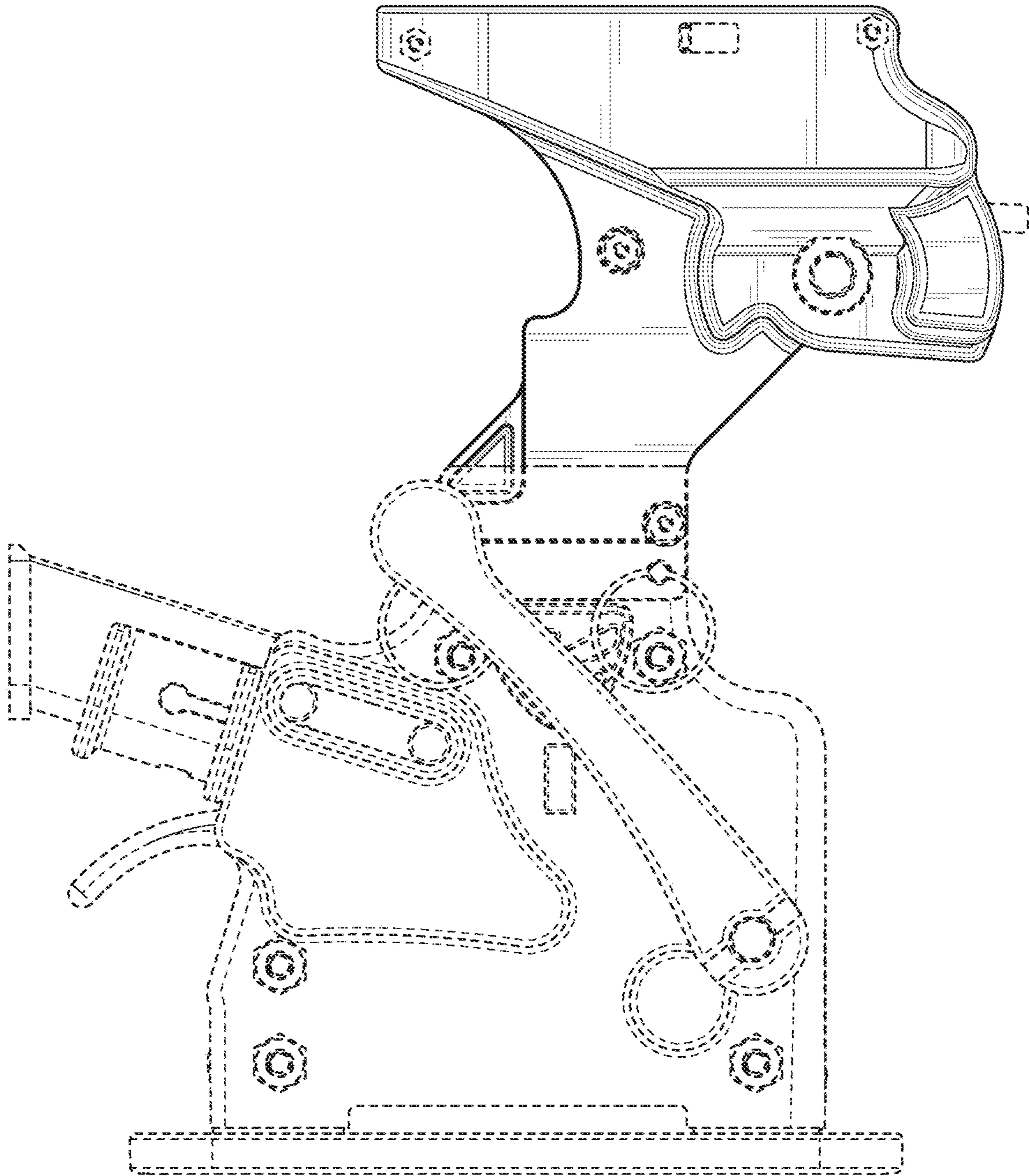


FIG. 3

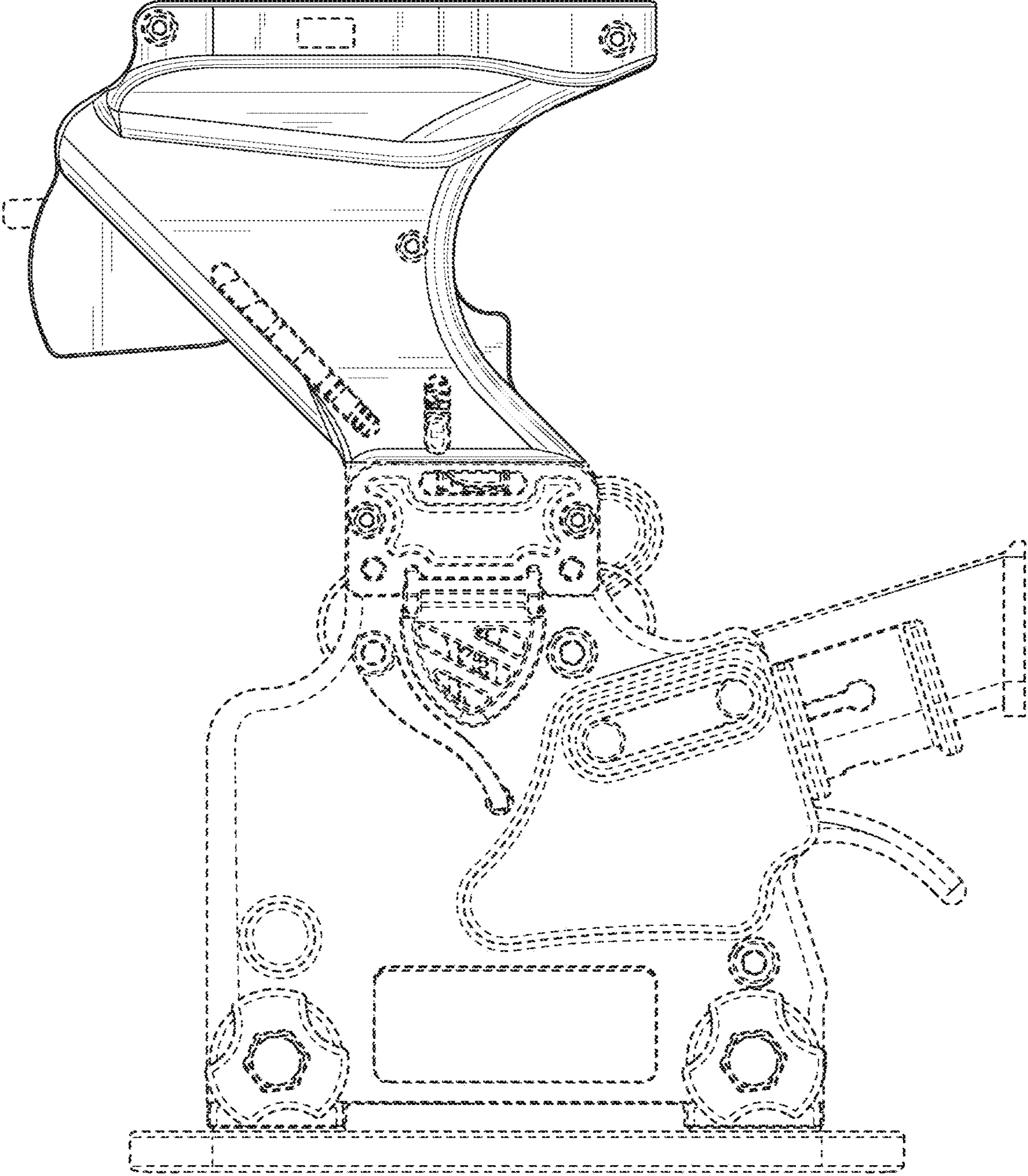


FIG. 4

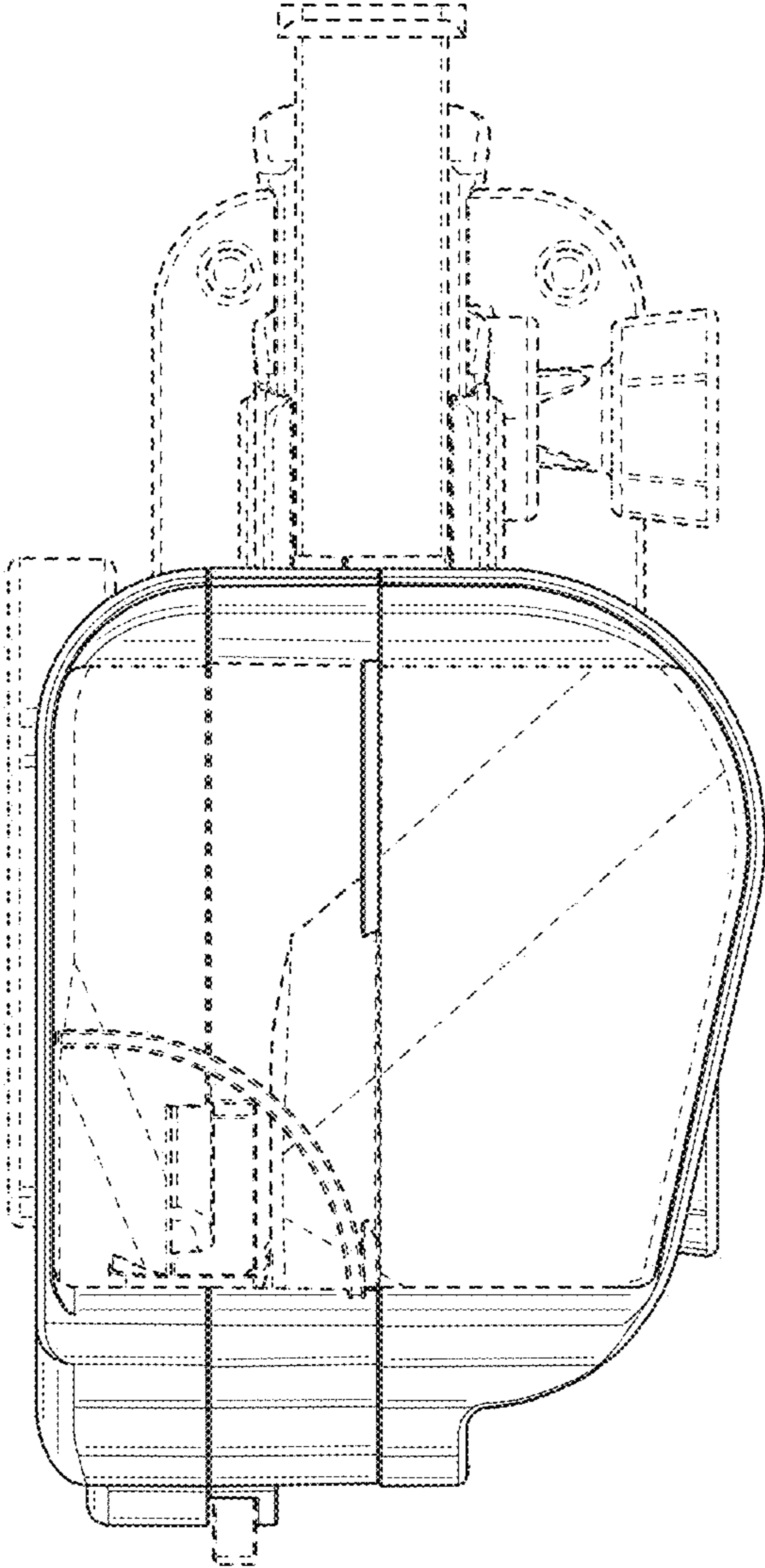


FIG. 5

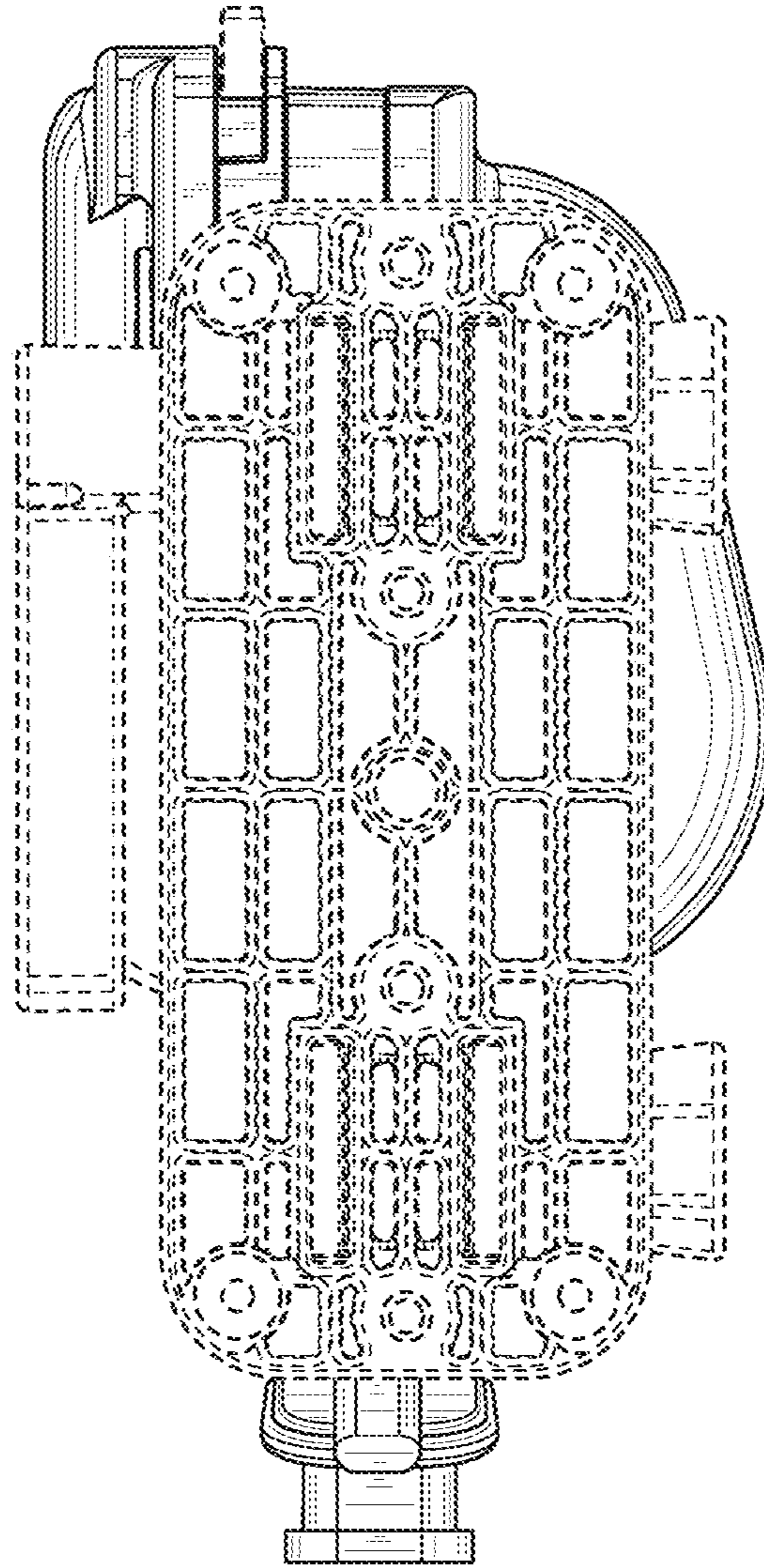


FIG. 6



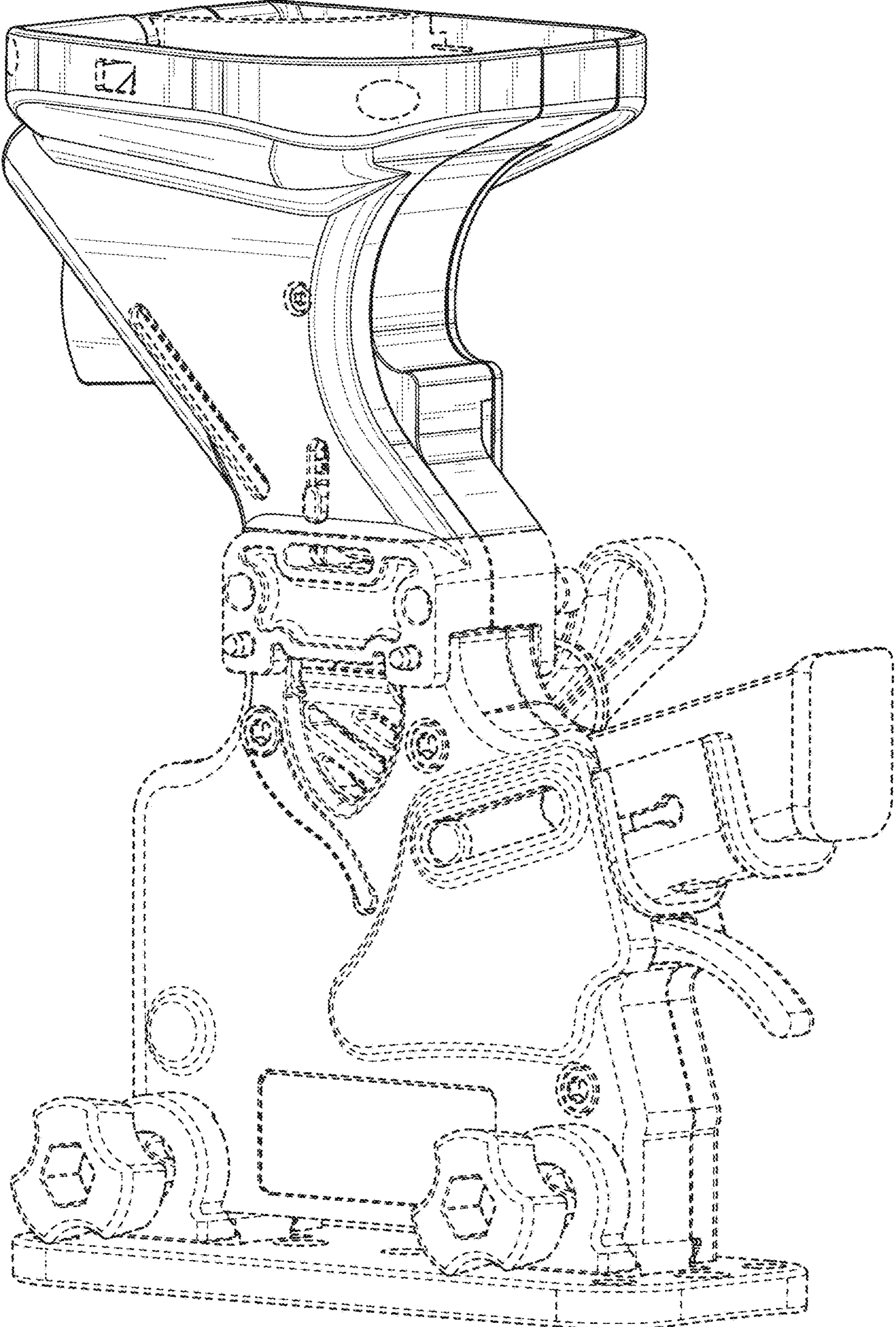


FIG. 7

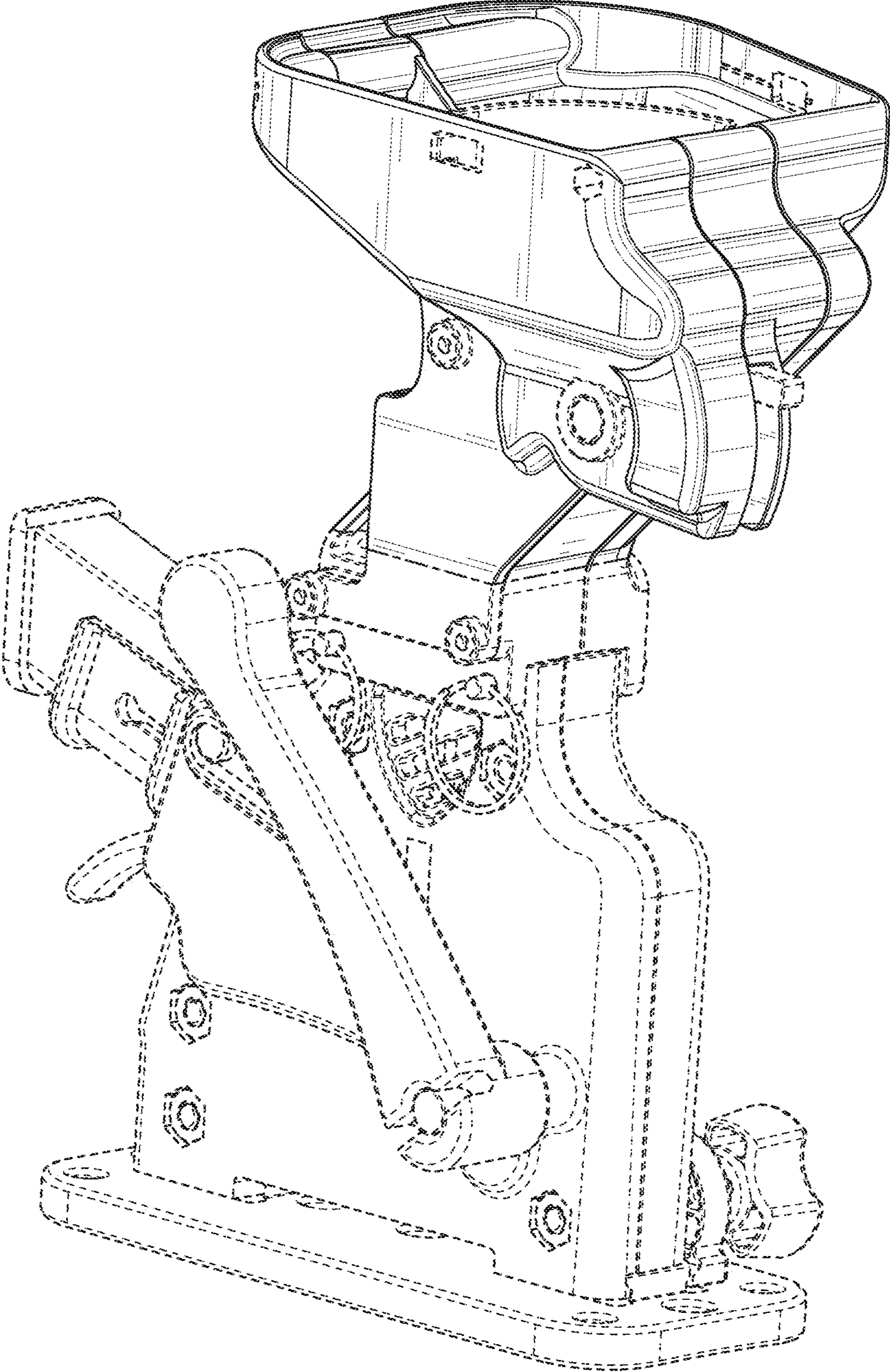


FIG. 8