



US00D896338S

(12) **United States Design Patent**
Hetman

(10) **Patent No.:** **US D896,338 S**

(45) **Date of Patent:** **** Sep. 15, 2020**

(54) **RODENT TRAP FUNNEL**

(71) Applicant: **Michael G. Hetman**, Otwell, IN (US)

(72) Inventor: **Michael G. Hetman**, Otwell, IN (US)

(**) Term: **15 Years**

(21) Appl. No.: **29/697,228**

(22) Filed: **Jul. 5, 2019**

Related U.S. Application Data

(63) Continuation-in-part of application No. 15/345,713, filed on Nov. 8, 2016, now abandoned.

(51) **LOC (12) Cl.** **22-06**

(52) **U.S. Cl.**
USPC **D22/119**

(58) **Field of Classification Search**
USPC D22/119–120; 43/58, 61, 63–67, 73, 77, 43/81, 83, 90, 97, 99, 107, 121, 124, 131
CPC A01M 23/00; A01M 23/06; A01M 23/08; A01M 23/16; A01M 23/18; A01M 23/30; A01M 23/245; A01M 31/002
See application file for complete search history.

(56) **References Cited**

U.S. PATENT DOCUMENTS

- 1,275,993 A * 8/1918 Spangler A01M 23/30
43/81
- 1,407,096 A * 2/1922 Spencer A01M 23/00
43/63
- 1,473,242 A * 11/1923 Marshall A01M 23/30
43/81
- D128,787 S * 8/1941 Nelson D22/119
- 2,260,872 A * 10/1941 Schmidt A01M 23/30
43/81
- 2,416,481 A * 2/1947 Hollenbeck A01M 23/30
43/81
- 2,702,443 A * 2/1955 Bruske A01M 23/30
43/81

- 3,045,384 A * 7/1962 Gruschow A01M 23/12
43/81.5
- 3,394,488 A * 7/1968 Kruger A01M 23/30
43/81
- 3,769,742 A * 11/1973 Spain A01M 23/30
43/81
- 3,992,803 A * 11/1976 Kaiser A01M 23/30
43/83
- 4,161,080 A * 7/1979 Gabry A01M 23/30
43/82

(Continued)

FOREIGN PATENT DOCUMENTS

- DE 4103358 A1 8/1992
- GB 2252485 * 8/1992

(Continued)

OTHER PUBLICATIONS

International Search Report issued in PCTUS1759832 dated Jul. 11, 2018, 2 pages.

Primary Examiner — Catherine R Oliver-Garcia
(74) *Attorney, Agent, or Firm* — Tutunjian & Bitetto, P.C.

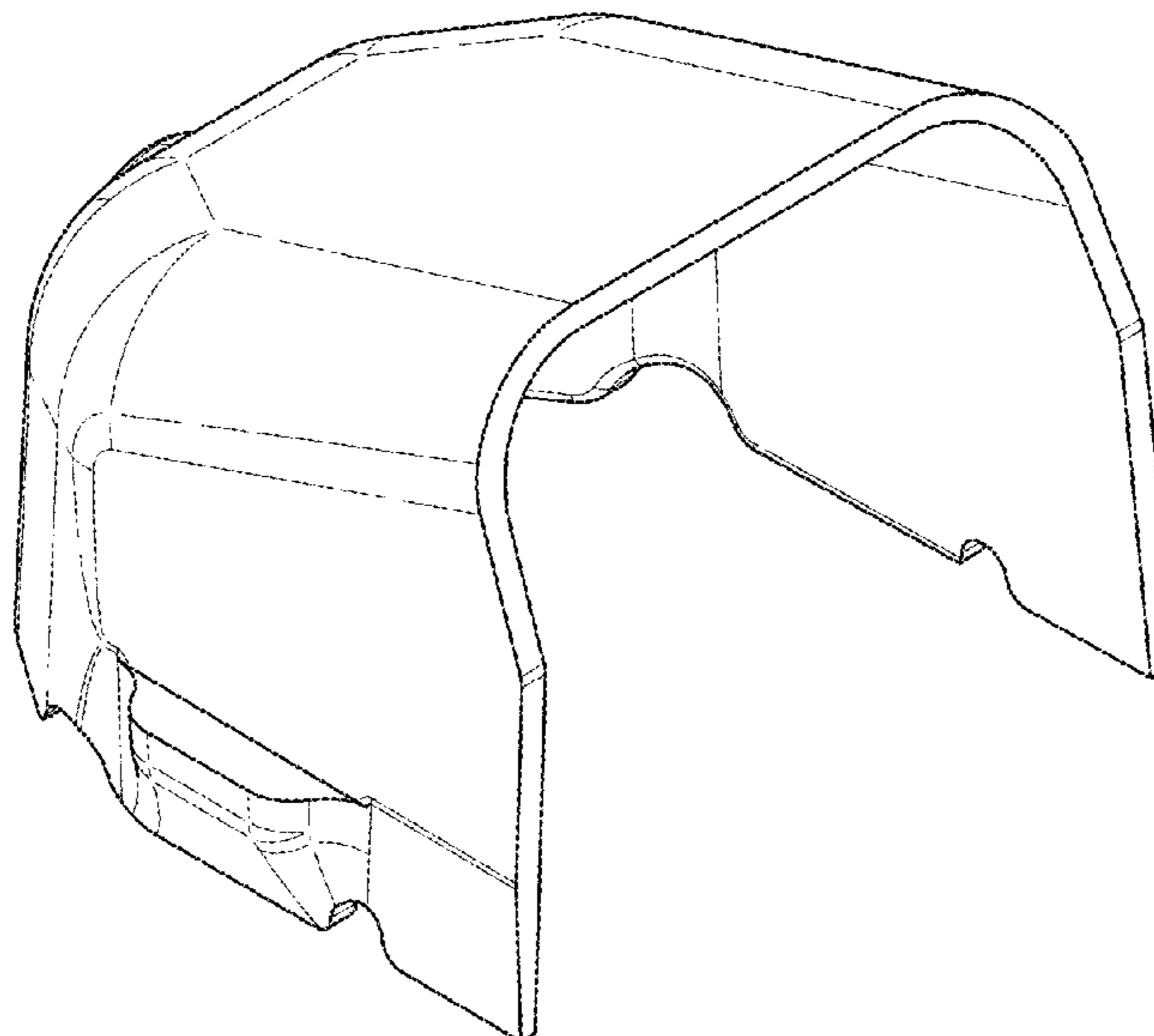
(57) **CLAIM**

The ornamental design for a rodent trap funnel, as shown and described.

DESCRIPTION

FIG. 1 is a top perspective view of the rodent trap funnel showing my new design;
FIG. 2 is a bottom perspective view thereof;
FIG. 3 is a left side view thereof;
FIG. 4 is rear view thereof;
FIG. 5 is a right side view thereof;
FIG. 6 is a front view thereof;
FIG. 7 is a top view thereof; and,
FIG. 8 is a bottom view thereof.

1 Claim, 4 Drawing Sheets



(56)

References Cited

U.S. PATENT DOCUMENTS

4,212,128 A * 7/1980 Vance A01M 23/30
43/81
4,363,183 A * 12/1982 Drdlik A01M 23/30
43/81
5,148,624 A * 9/1992 Schmidt A01M 23/30
43/81
5,172,512 A * 12/1992 Bodker A01M 23/30
43/81
5,267,411 A * 12/1993 Phillips A01M 23/30
43/81
5,588,249 A * 12/1996 Flinner A01M 23/20
43/61
5,960,583 A * 10/1999 Hansson A01M 23/28
43/81
6,045,384 A * 4/2000 Norizuki H01R 13/62933
439/157
6,119,391 A * 9/2000 Maconga A01M 23/30
43/58
6,199,314 B1 * 3/2001 Ballard A01M 23/28
43/58
7,117,631 B2 * 10/2006 Peters A01M 23/30
43/81

7,908,790 B2 * 3/2011 Mahony A01M 23/30
43/81
7,954,275 B2 * 6/2011 Frisch A01M 23/005
43/81
8,104,222 B2 * 1/2012 Hovey A01M 23/30
43/83.5
D673,640 S * 1/2013 Bailey D22/119
D711,495 S * 8/2014 Metlen et al. D22/119
9,119,390 B1 * 9/2015 Greenfield A01M 23/30
9,980,477 B2 * 5/2018 McGrade A01M 23/24
D857,834 S * 8/2019 Tian D22/119
D861,824 S * 10/2019 Yang D22/119
D890,289 S * 7/2020 Luo D22/119
2003/0110679 A1 * 6/2003 Collins A01M 23/36
43/81
2011/0047859 A1 * 3/2011 Mendez A01M 23/30
43/81
2018/0125056 A1 * 5/2018 Hetman D22/119

FOREIGN PATENT DOCUMENTS

GB 2252485 A 8/1992
WO 2003063588 * 8/2003
WO 2003063588 A1 8/2003

* cited by examiner

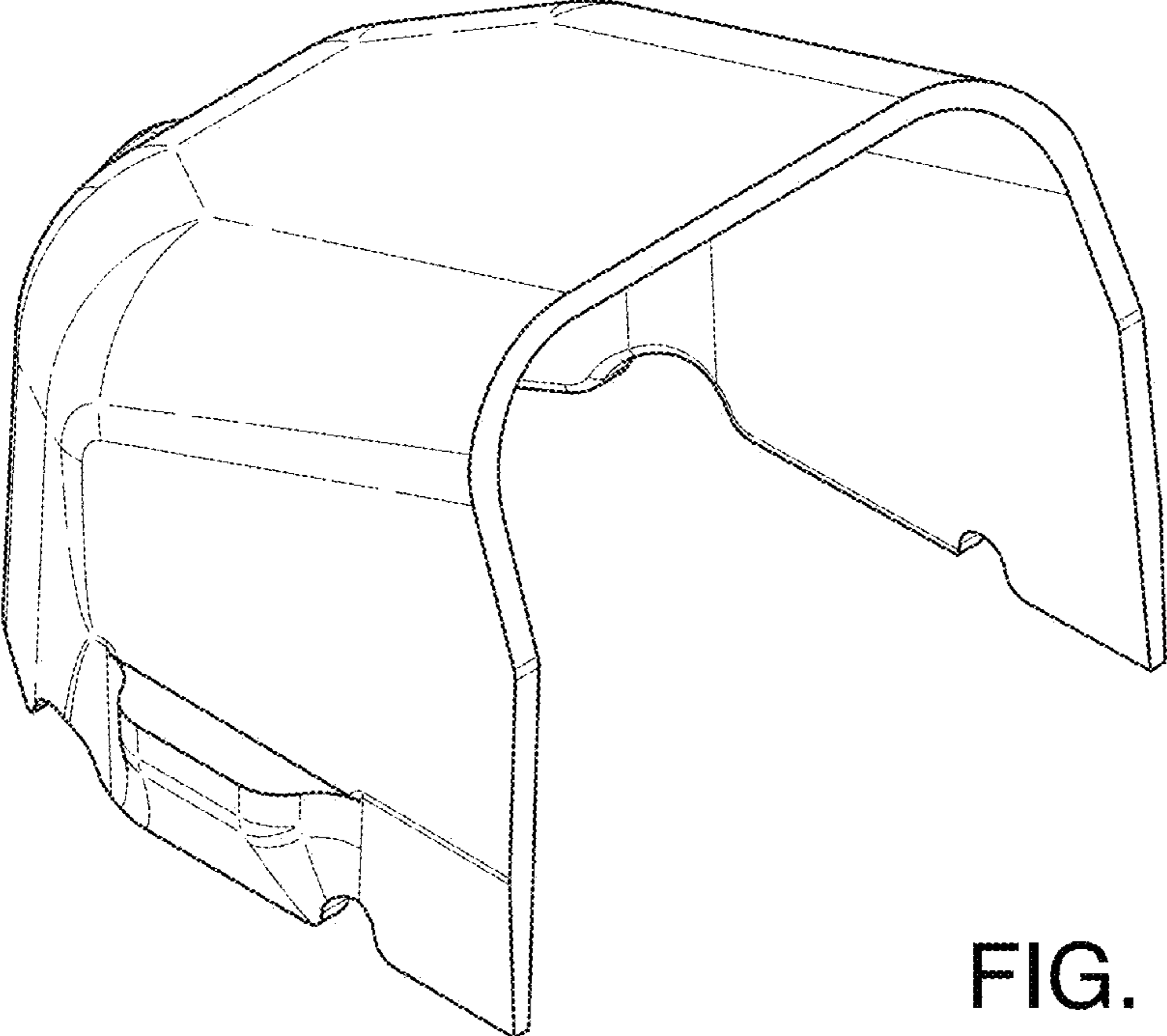


FIG. 1

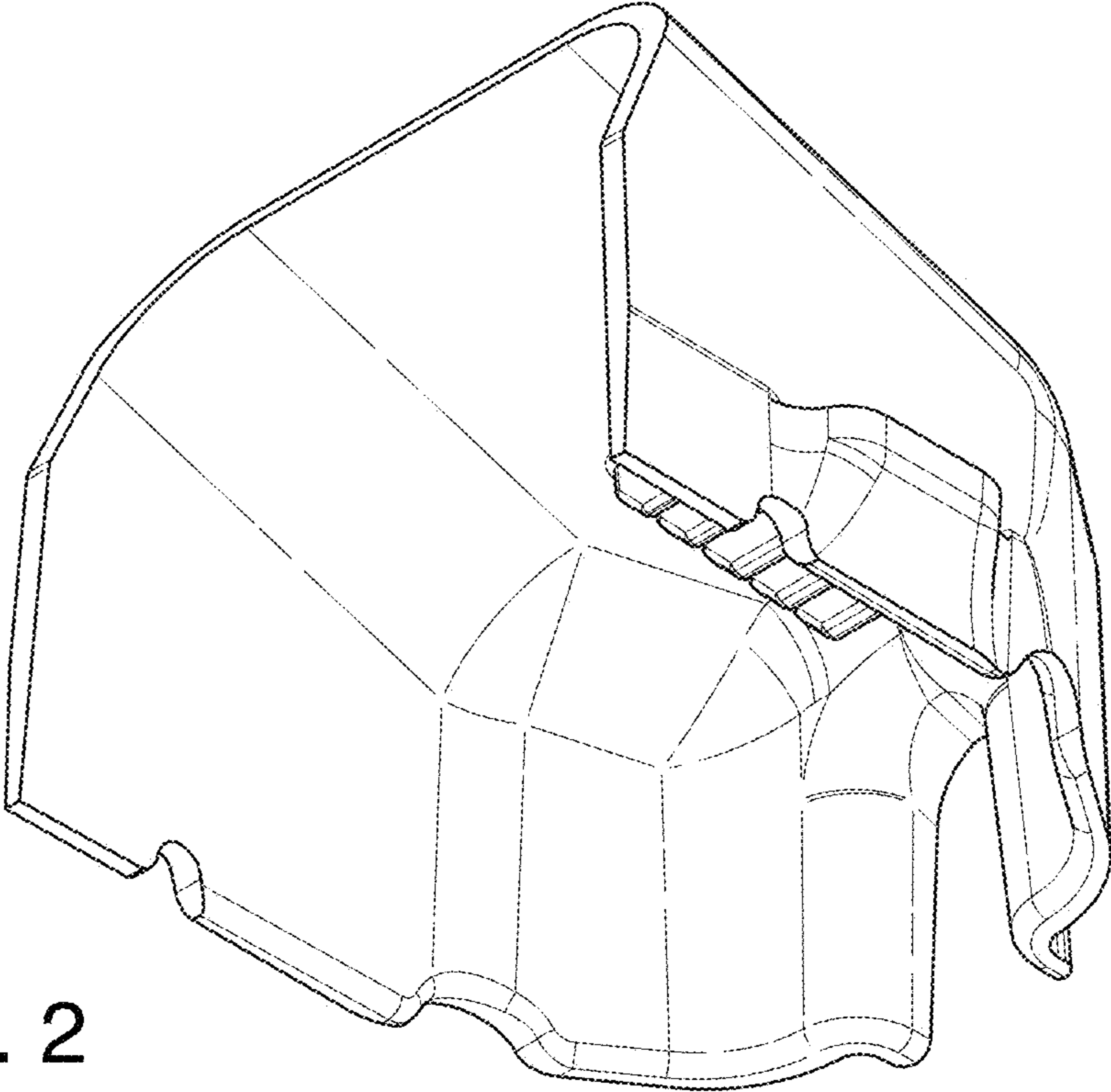


FIG. 2

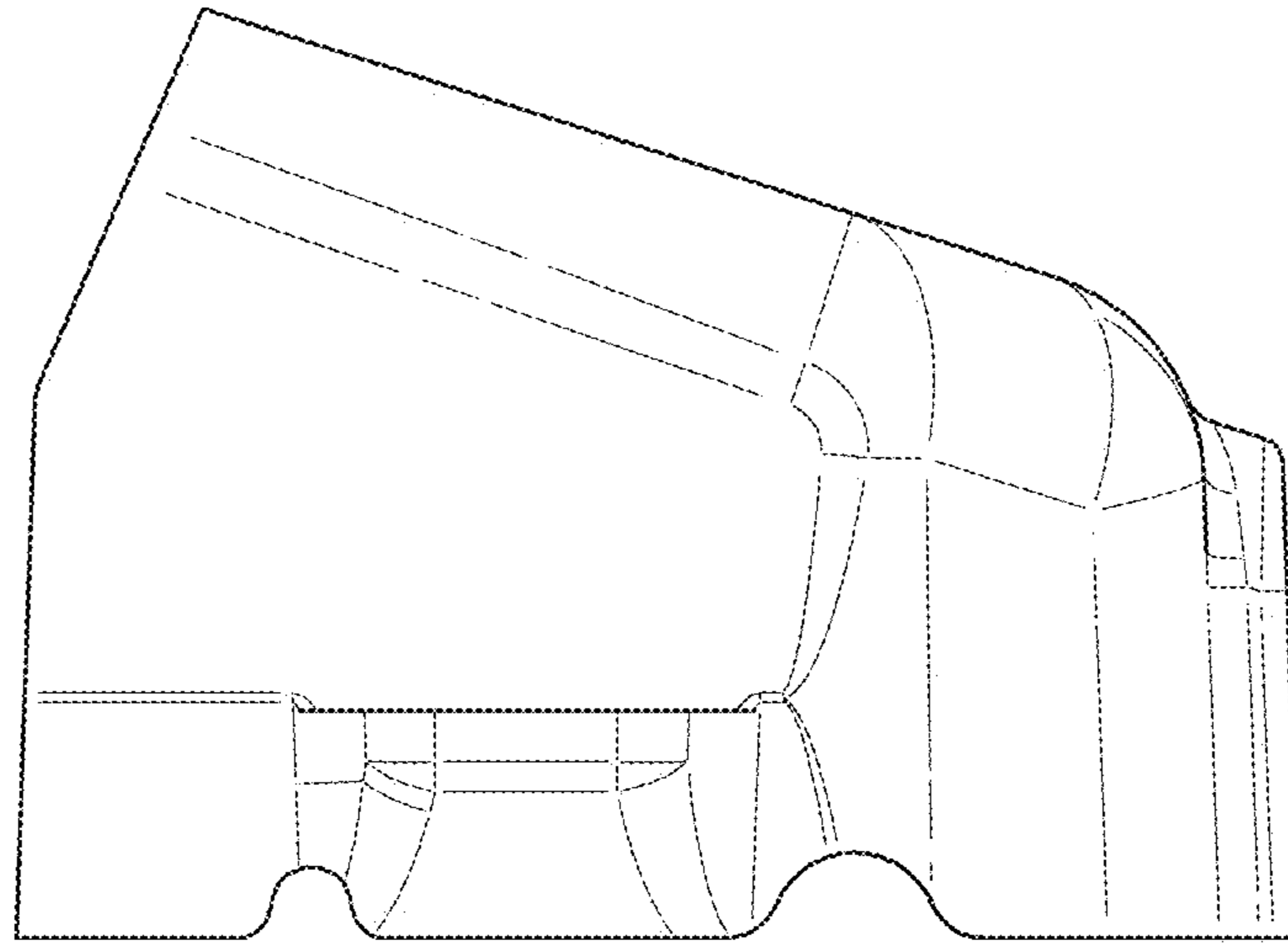


FIG. 3

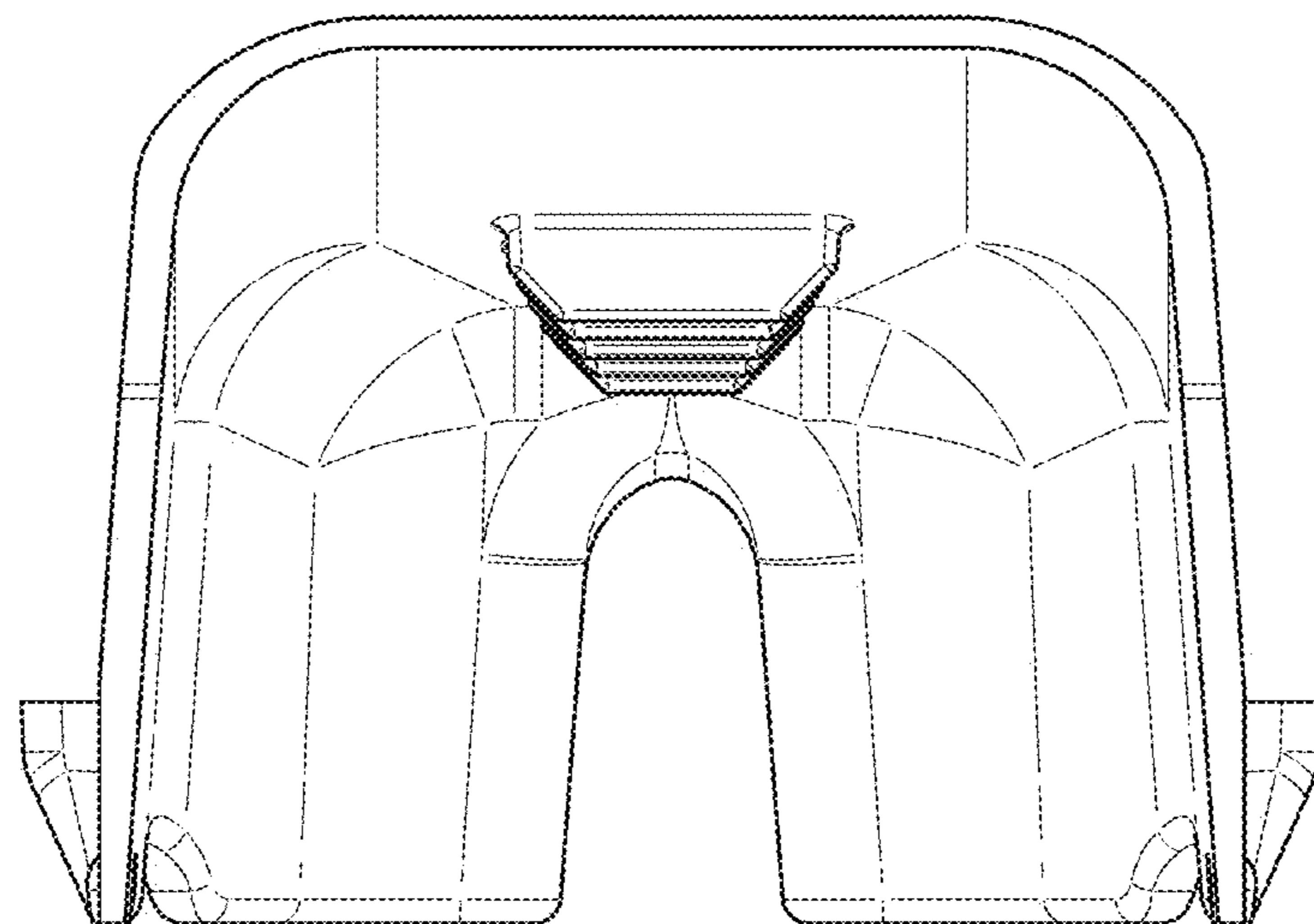


FIG. 4

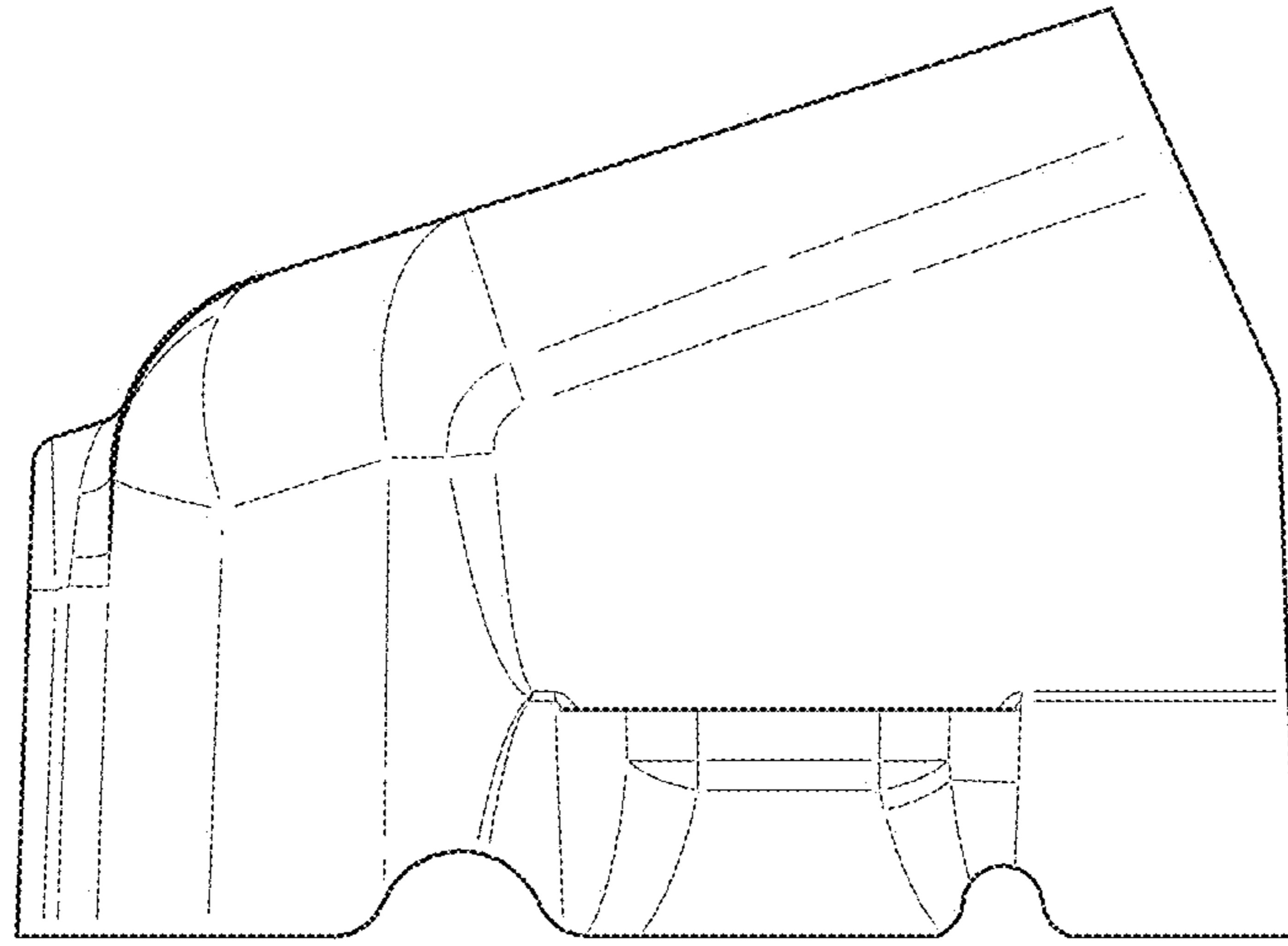


FIG. 5

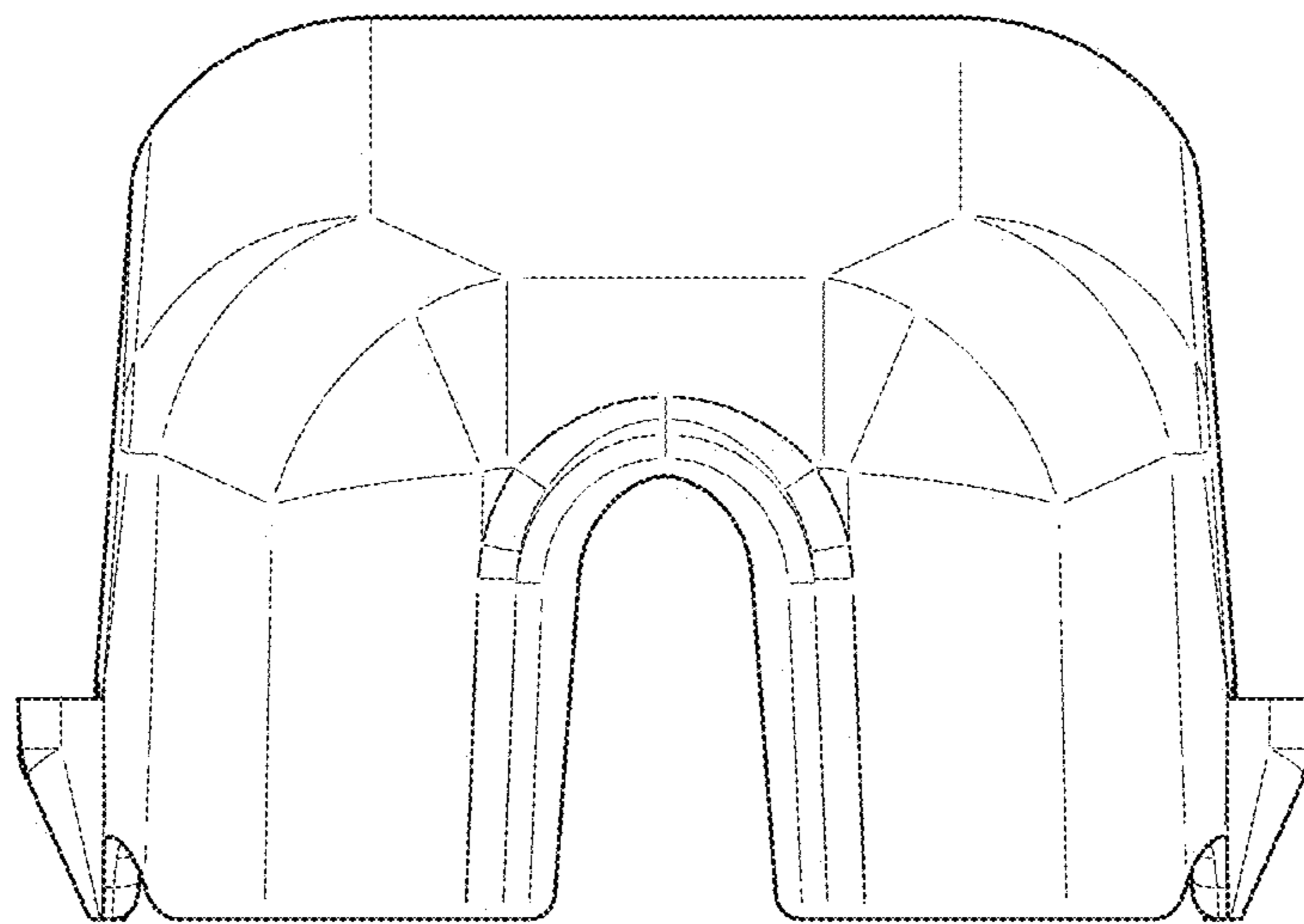


FIG. 6

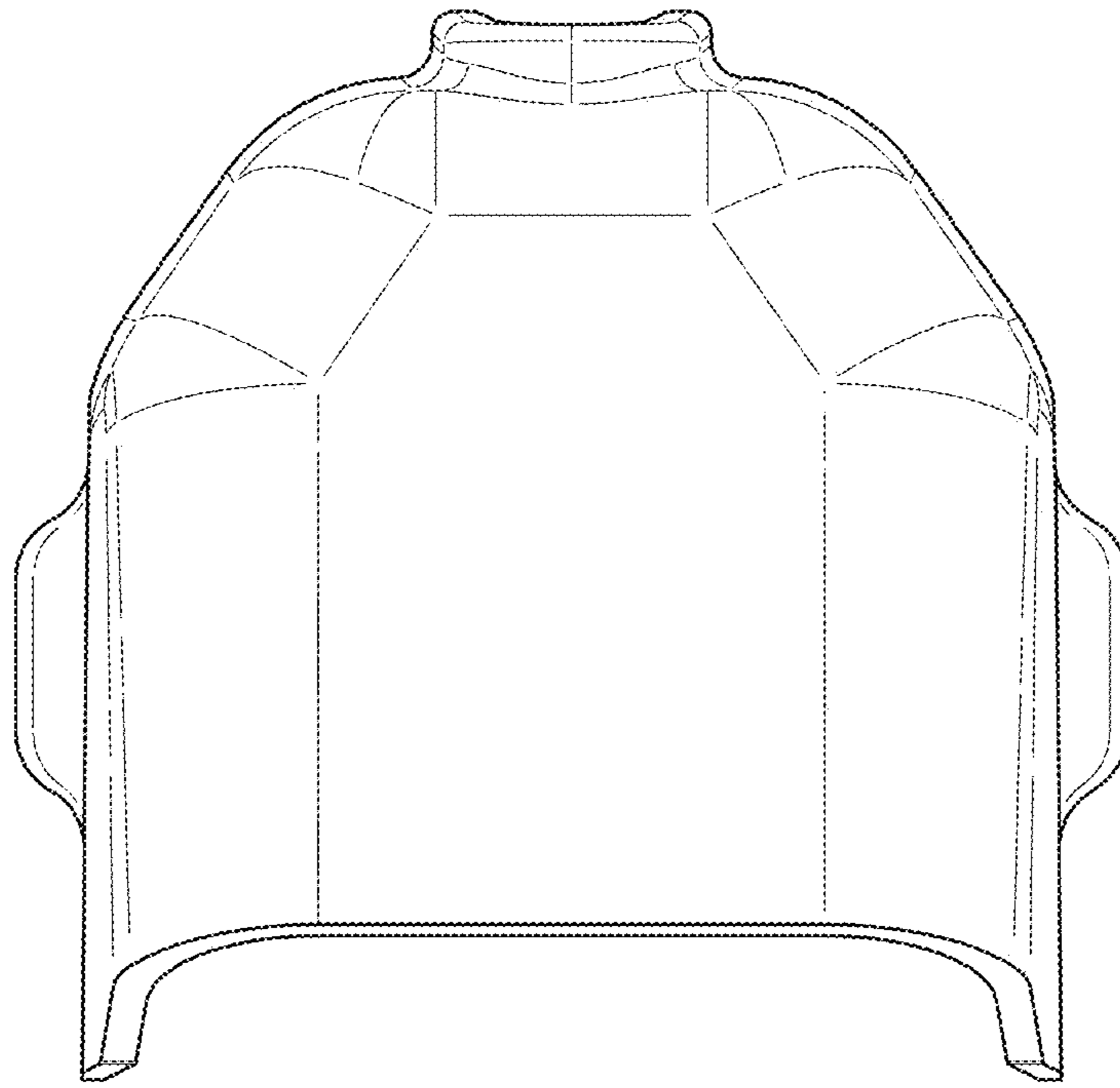


FIG. 7

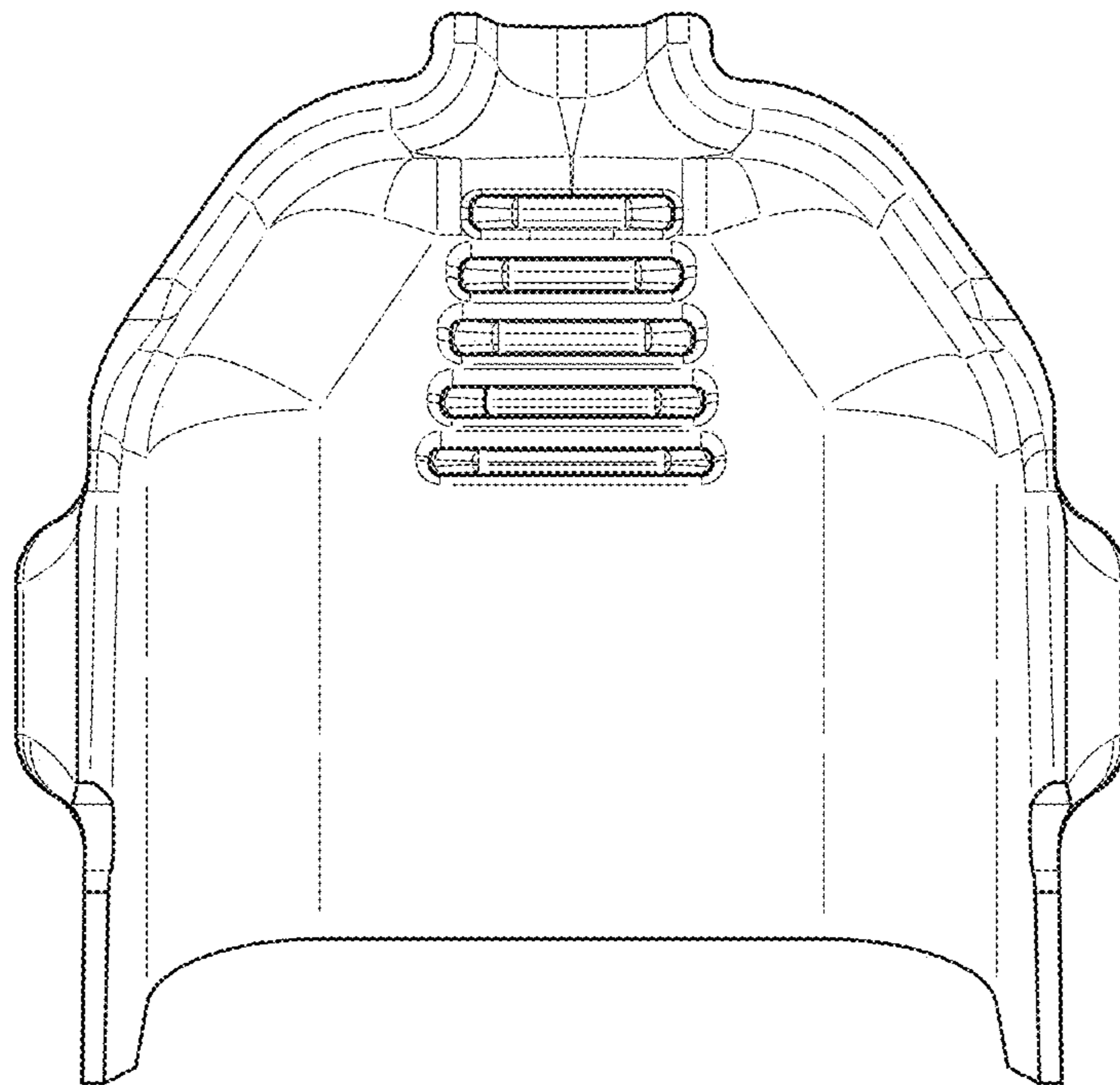


FIG. 8