



US00D896337S

(12) **United States Design Patent** (10) **Patent No.:** **US D896,337 S**
Cerovic et al. (45) **Date of Patent:** **** Sep. 15, 2020**

(54) **HANDLE OF A CONDUCTED ELECTRICAL WEAPON**

(71) Applicant: **Axon Enterprise, Inc.**, Scottsdale, AZ (US)

(72) Inventors: **Milan Cerovic**, Scottsdale, AZ (US);
Nathan Patulski, Seattle, WA (US);
William D. Webb, II, Sausalito, CA (US)

(73) Assignee: **Axon Enterprise, Inc.**, Scottsdale, AZ (US)

(**) Term: **15 Years**

(21) Appl. No.: **29/730,556**

(22) Filed: **Apr. 6, 2020**

Related U.S. Application Data

(63) Continuation of application No. 29/708,142, filed on Oct. 3, 2019, now Pat. No. Des. 883,424, which is a continuation of application No. 29/685,946, filed on Apr. 1, 2019, now Pat. No. Des. 867,515, which is a continuation of application No. 29/617,326, filed on Sep. 13, 2017, now Pat. No. Des. 850,570.

(51) **LOC (12) Cl.** **22-02**

(52) **U.S. Cl.**
USPC **D22/117**

(58) **Field of Classification Search**
USPC D22/117-118; 222/1, 23, 39, 78-79, 222/182, 325, 402.1, 402.11; 89/1.1; 361/232
CPC .. A47G 19/24; F41H 5/24; F41H 9/00; F41H 9/10; F41H 13/0012; F41H 13/0025; F41H 15/04; G08B 21/02; F41B 9/0087
See application file for complete search history.

(56) **References Cited**

U.S. PATENT DOCUMENTS

2,774,513	A	12/1956	Miller	
3,841,526	A	10/1974	Haskins	
4,843,336	A	6/1989	Kuo	
5,103,366	A	4/1992	Battochi	
7,644,839	B2	1/2010	McNulty, Jr.	
7,900,388	B2 *	3/2011	Brundula F41H 13/0025
				42/1.08
D688,769	S *	8/2013	Lord D22/117
8,985,397	B2	3/2015	Lord	
8,988,229	B2	3/2015	Lord	
9,025,304	B2	5/2015	Brundula et al.	
D805,157	S	12/2017	Pennington	
10,024,636	B2	7/2018	Nerheim	
D879,237	S *	3/2020	Onruang D22/117
2007/0070574	A1 *	3/2007	Nerheim F41H 13/0025
				361/232

(Continued)

Primary Examiner — Catherine R Oliver-Garcia
(74) *Attorney, Agent, or Firm* — Banner & Witcoff, Ltd.

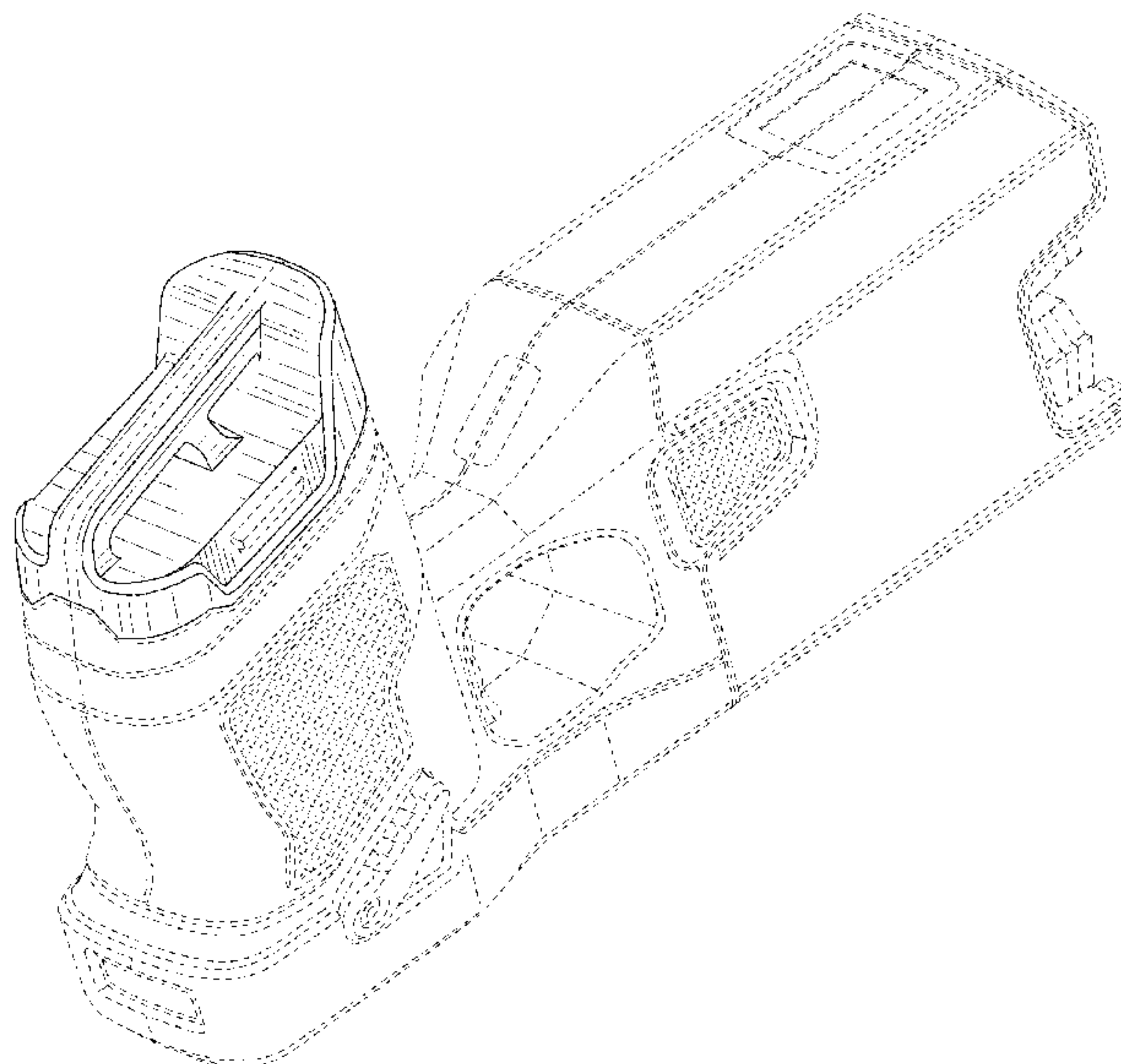
(57) **CLAIM**

The ornamental design for a handle of a conducted electrical weapon, as shown and described.

DESCRIPTION

FIG. 1 is a bottom perspective view of a handle of a conducted electrical weapon showing our new design; FIG. 2 is a top perspective view thereof; FIG. 3 is a front view thereof; FIG. 4 is a rear view thereof; FIG. 5 is a left side view thereof; FIG. 6 is right side view thereof; FIG. 7 is a top view thereof; and, FIG. 8 is a bottom view thereof. The broken lines within the shaded area represent features that form no part of the claimed design. The broken lines depicting the remainder of the handle of a conducted electrical weapon form no part of the claimed design.

1 Claim, 8 Drawing Sheets



(56)

References Cited

U.S. PATENT DOCUMENTS

2014/0098453 A1* 4/2014 Brundula F41H 13/0025
361/232
2017/0241752 A1* 8/2017 Nerheim F41H 13/0025

* cited by examiner

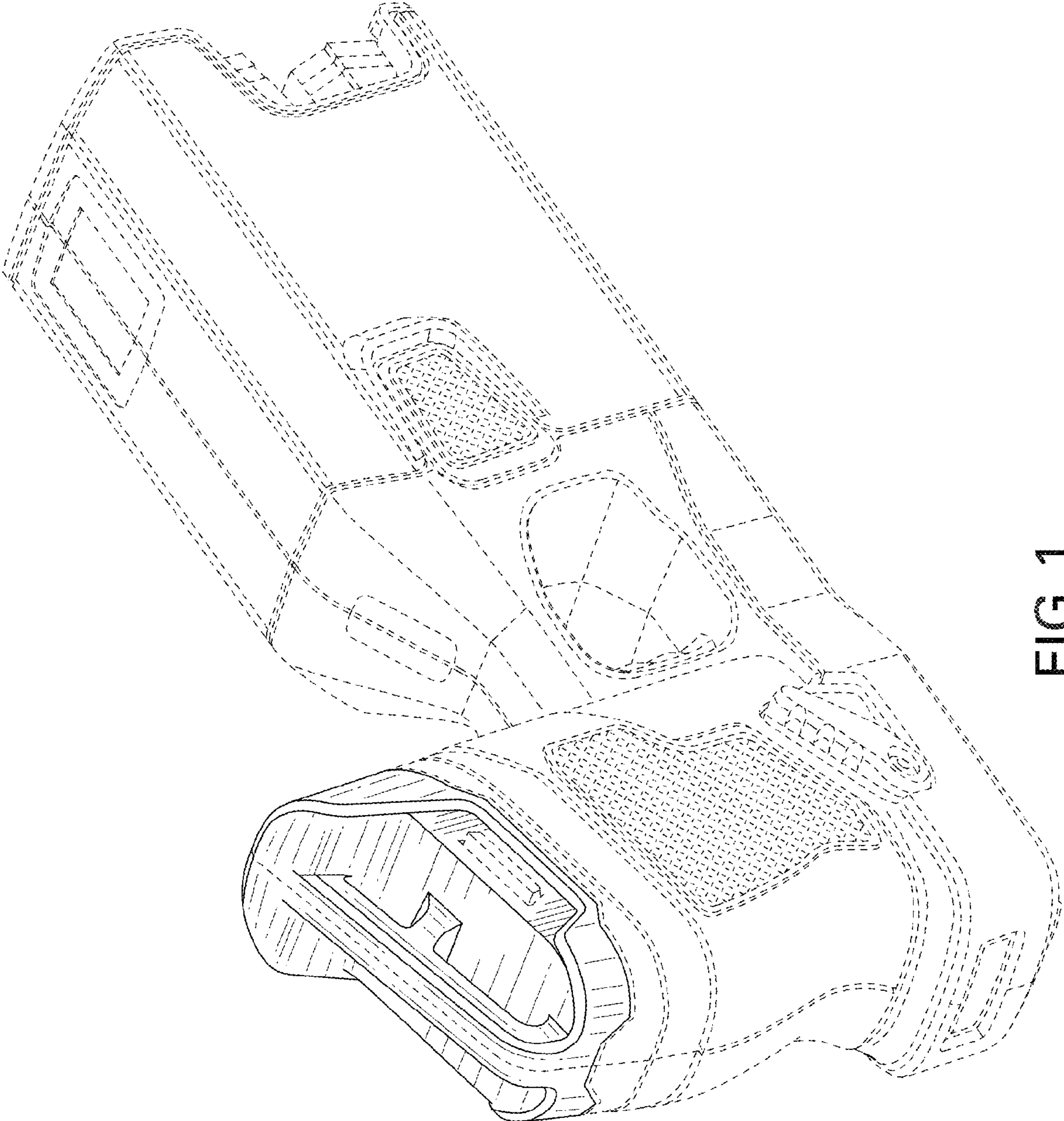


FIG. 1

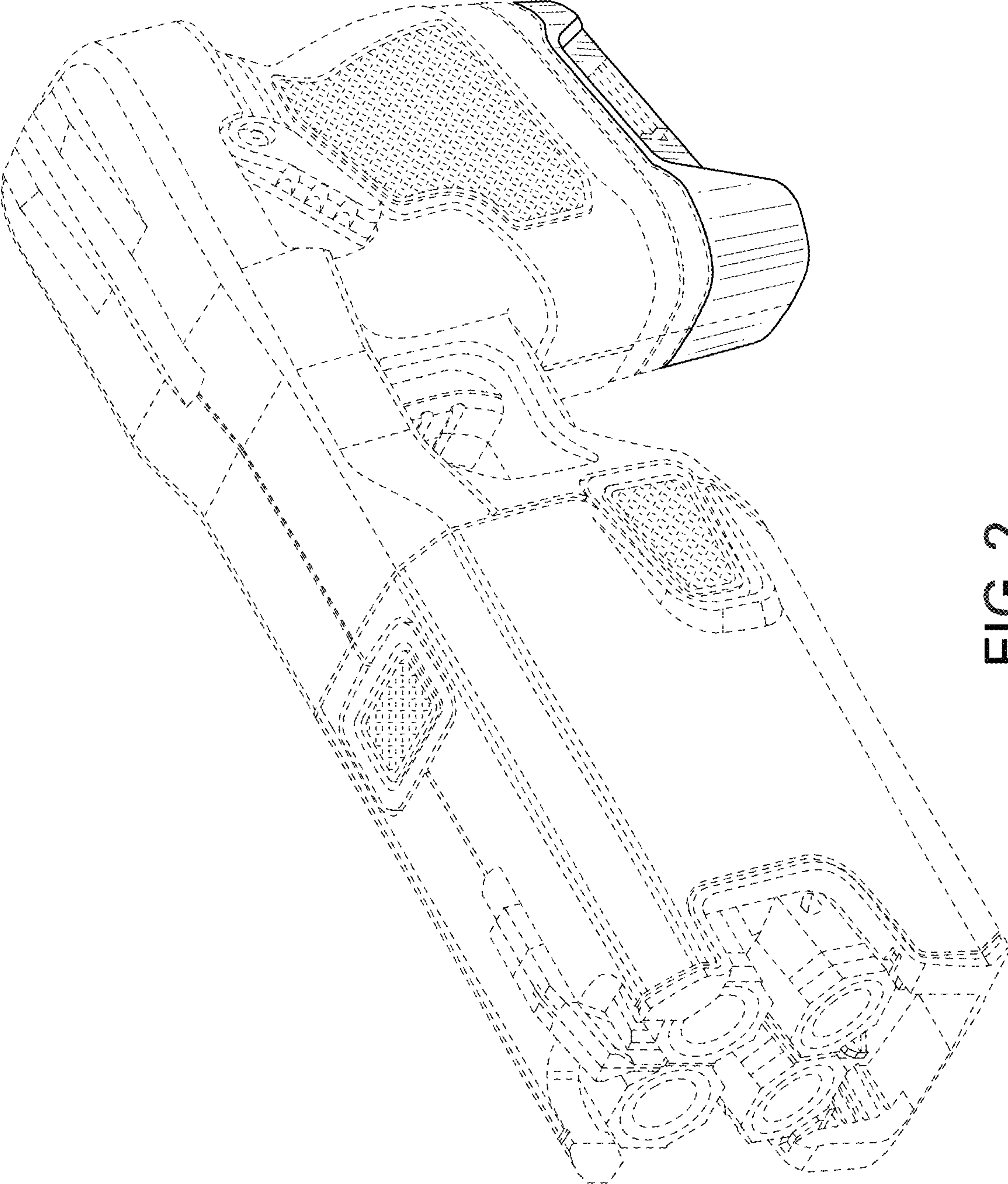


FIG. 2

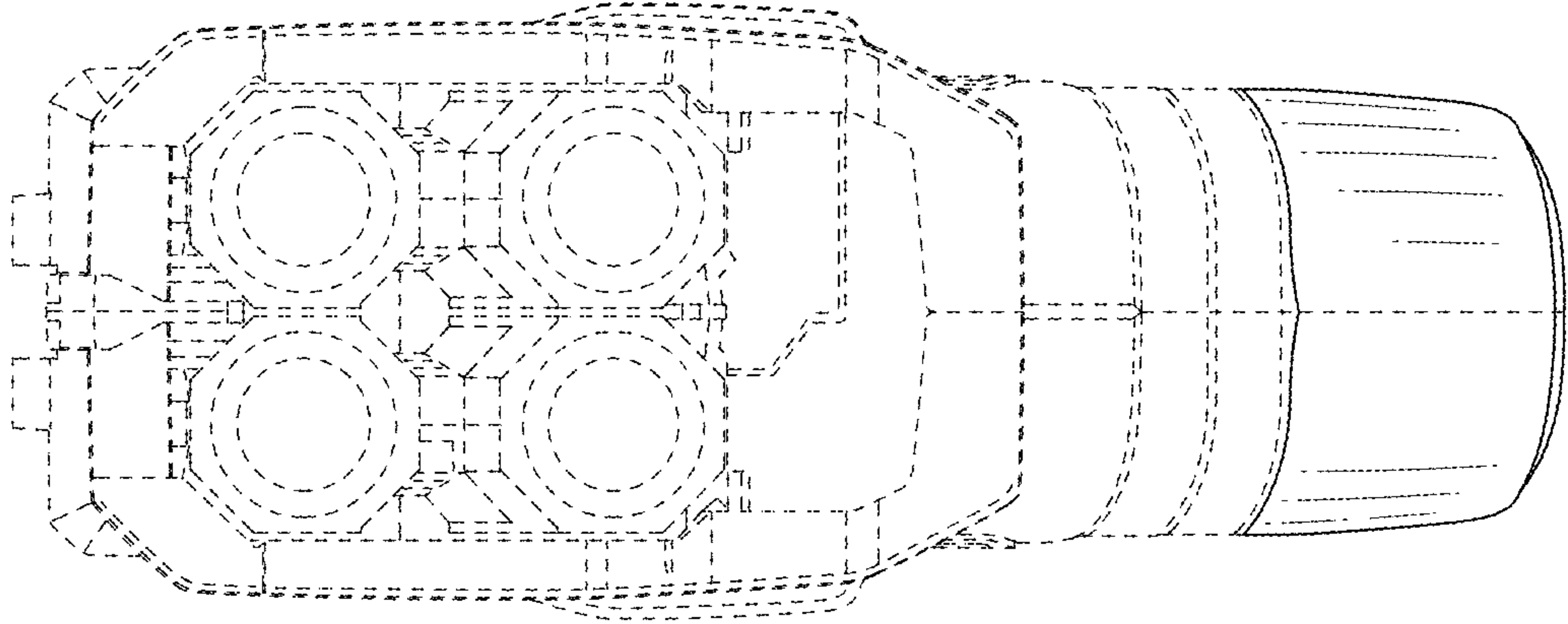


FIG. 3

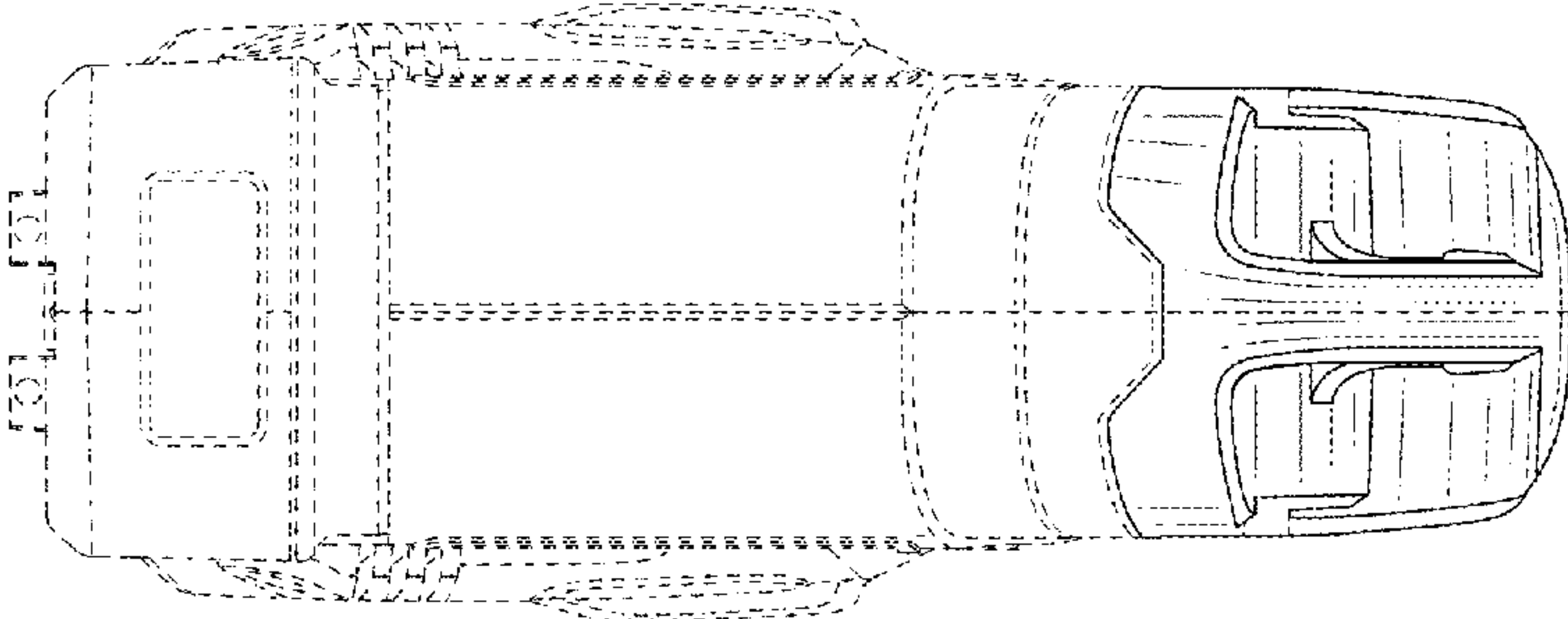


FIG.4



FIG. 5

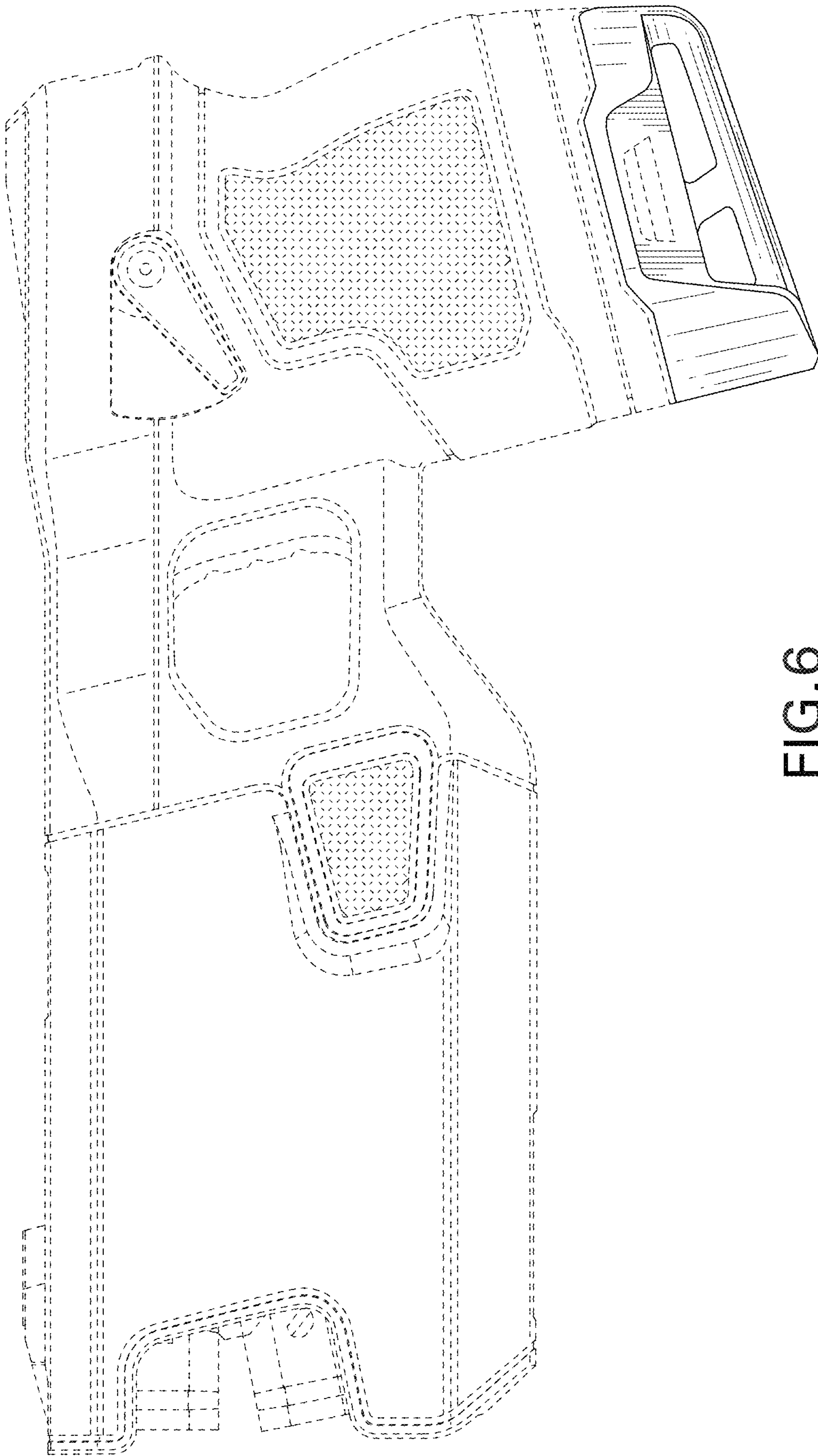


FIG. 6

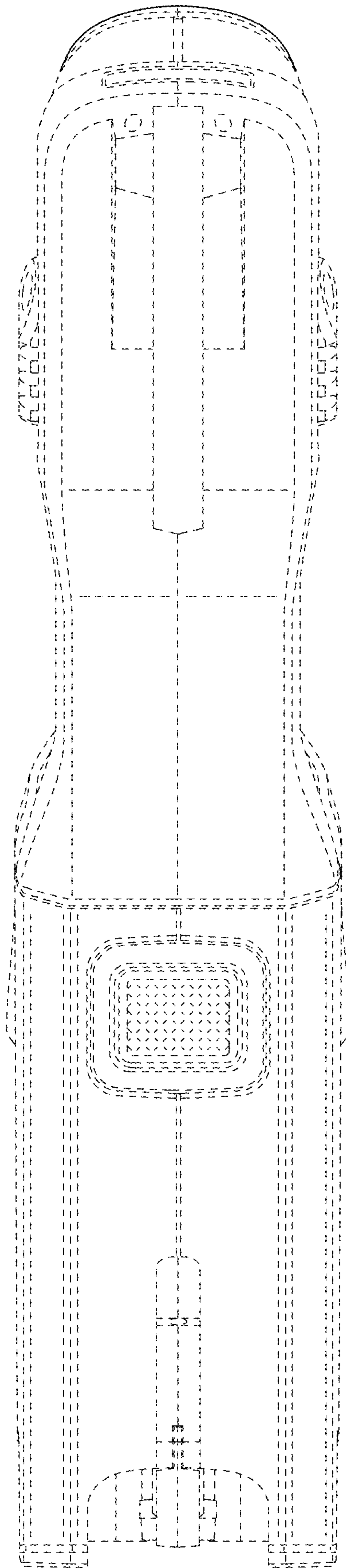


FIG. 7

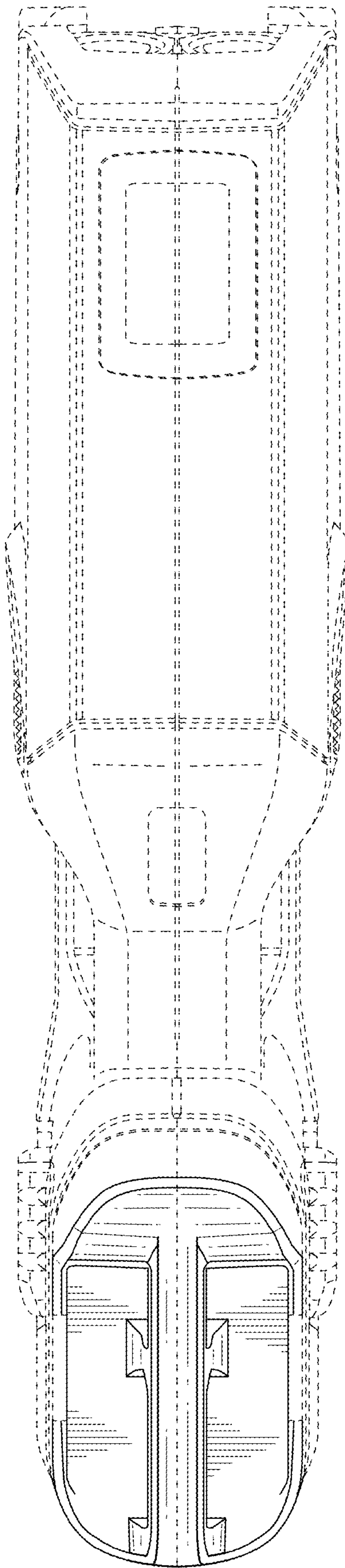


FIG. 8