



US00D896335S

(12) **United States Design Patent**
Mayer

(10) **Patent No.:** **US D896,335 S**

(45) **Date of Patent:** **** Sep. 15, 2020**

- (54) **PLAYGROUND GLIDER**
- (71) Applicant: **BCI Burke Company, LLC**, Fond du Lac, WI (US)
- (72) Inventor: **Bart Mayer**, Fond du Lac, WI (US)
- (73) Assignee: **BCI Burke Company, LLC**, Fond du Lac, WI (US)
- (**) Term: **15 Years**
- (21) Appl. No.: **29/680,830**
- (22) Filed: **Feb. 20, 2019**
- (51) **LOC (12) Cl.** **21-03**
- (52) **U.S. Cl.**
USPC **D21/823**
- (58) **Field of Classification Search**
USPC D21/811, 814, 822–825, 831–833
CPC A63G 9/00–9/22
See application file for complete search history.

- 7,892,151 B2 * 2/2011 Colk A63B 7/00
482/143
- 8,672,770 B2 * 3/2014 Matt A63G 9/14
472/118
- D728,721 S * 5/2015 Diego D21/823
- 9,511,296 B2 * 12/2016 Bertschy A63G 9/00
- D778,381 S * 2/2017 Bertschy D21/823
- 9,833,680 B2 * 12/2017 Claustre A63B 69/0064
- D810,853 S * 2/2018 Bertschy D21/823

(Continued)

Primary Examiner — Mitchell I. Siegel

(74) *Attorney, Agent, or Firm* — Boyle Fredrickson S.C.

(57) **CLAIM**

The ornamental design for a playground glider, substantially as shown and described.

DESCRIPTION

FIG. 1 is a perspective view of a playground glider according to the present invention; shown in use on an unclaimed swing set;

FIG. 2 is an enlarged perspective view of the playground glider of FIG. 1;

FIG. 3 is a front side elevation view of the playground glider of FIG. 2;

FIG. 4 is a rear side elevation view of the playground glider of FIG. 2;

FIG. 5 is a left side elevation view of the playground glider of FIG. 2;

FIG. 6 is a right side elevation view of the playground glider of FIG. 2;

FIG. 7 is a top plan view of the playground glider of FIG. 2; and,

FIG. 8 is a bottom plan view of the playground glider of FIG. 2.

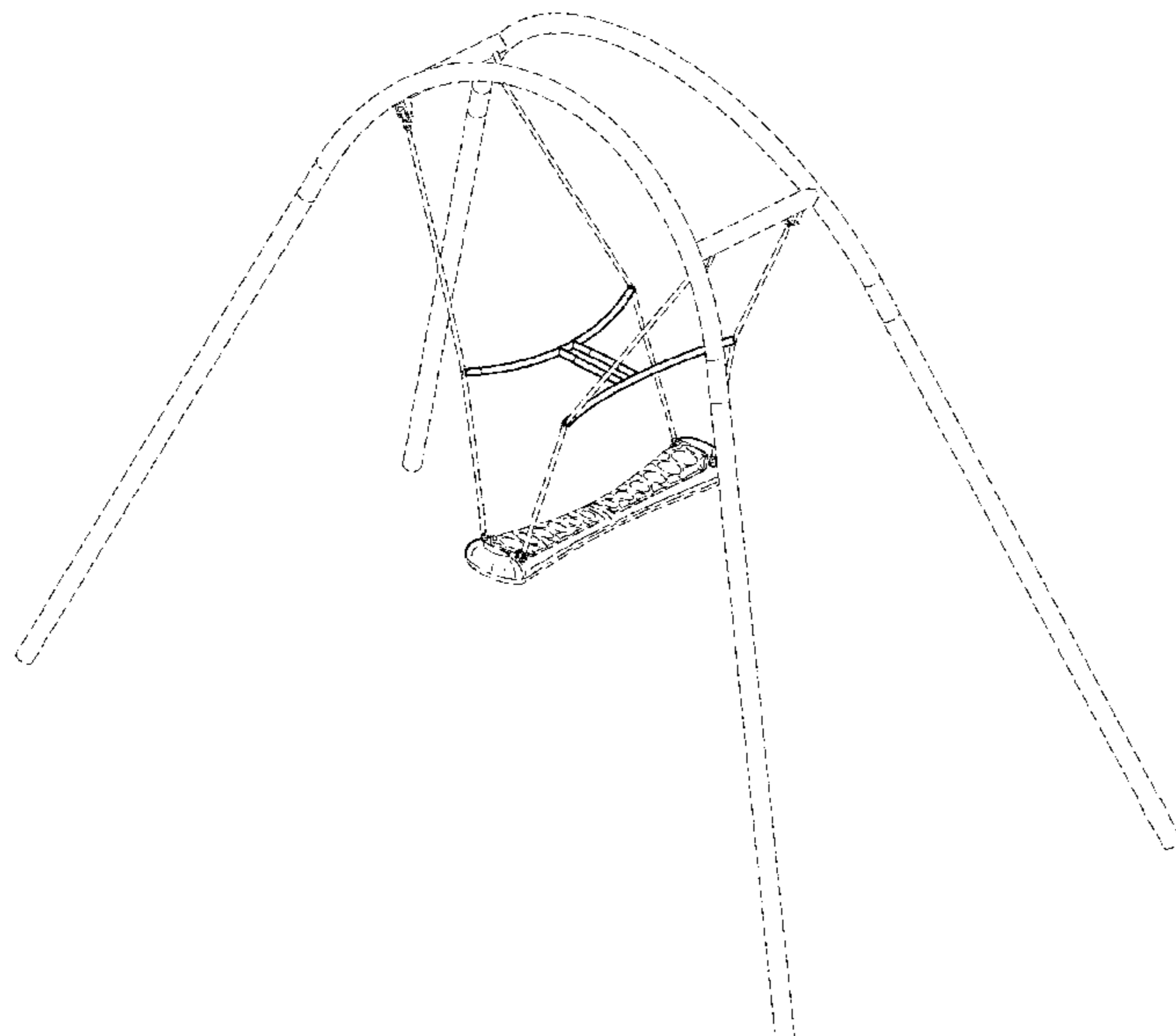
The broken lines are for illustrative purposes and represent environmental structure and unclaimed portions of the invention and therefore form no part of the claimed design.

1 Claim, 8 Drawing Sheets

(56) **References Cited**

U.S. PATENT DOCUMENTS

- D106,871 S * 11/1937 Spangler D21/823
- D123,491 S * 11/1940 Smith D21/823
- D136,786 S * 12/1943 Schumaker D21/823
- 2,464,446 A * 3/1949 Helms A47D 13/105
472/120
- D255,374 S * 6/1980 Smith D21/823
- 4,289,310 A * 9/1981 Weakly A63G 9/12
472/118
- 5,067,706 A * 11/1991 Tsai A63G 9/00
472/118
- D331,092 S * 11/1992 Coddington, Jr. D21/823
- D340,275 S * 10/1993 Haun D21/823
- D355,013 S * 1/1995 Schechner D21/823
- D358,618 S * 5/1995 Ryaa D21/823
- 6,932,710 B1 * 8/2005 Hartin A63B 7/00
472/118
- D619,187 S * 7/2010 Couch D21/823



(56)

References Cited

U.S. PATENT DOCUMENTS

D859,561	S	*	9/2019	Nordin	D21/823
D859,562	S	*	9/2019	Nordin	D21/823
D863,486	S	*	10/2019	Blackwood	D21/823
10,625,169	B1	*	4/2020	Mayer	A63G 9/02
2011/0263344	A1	*	10/2011	Brown	A63G 9/00 472/118

* cited by examiner

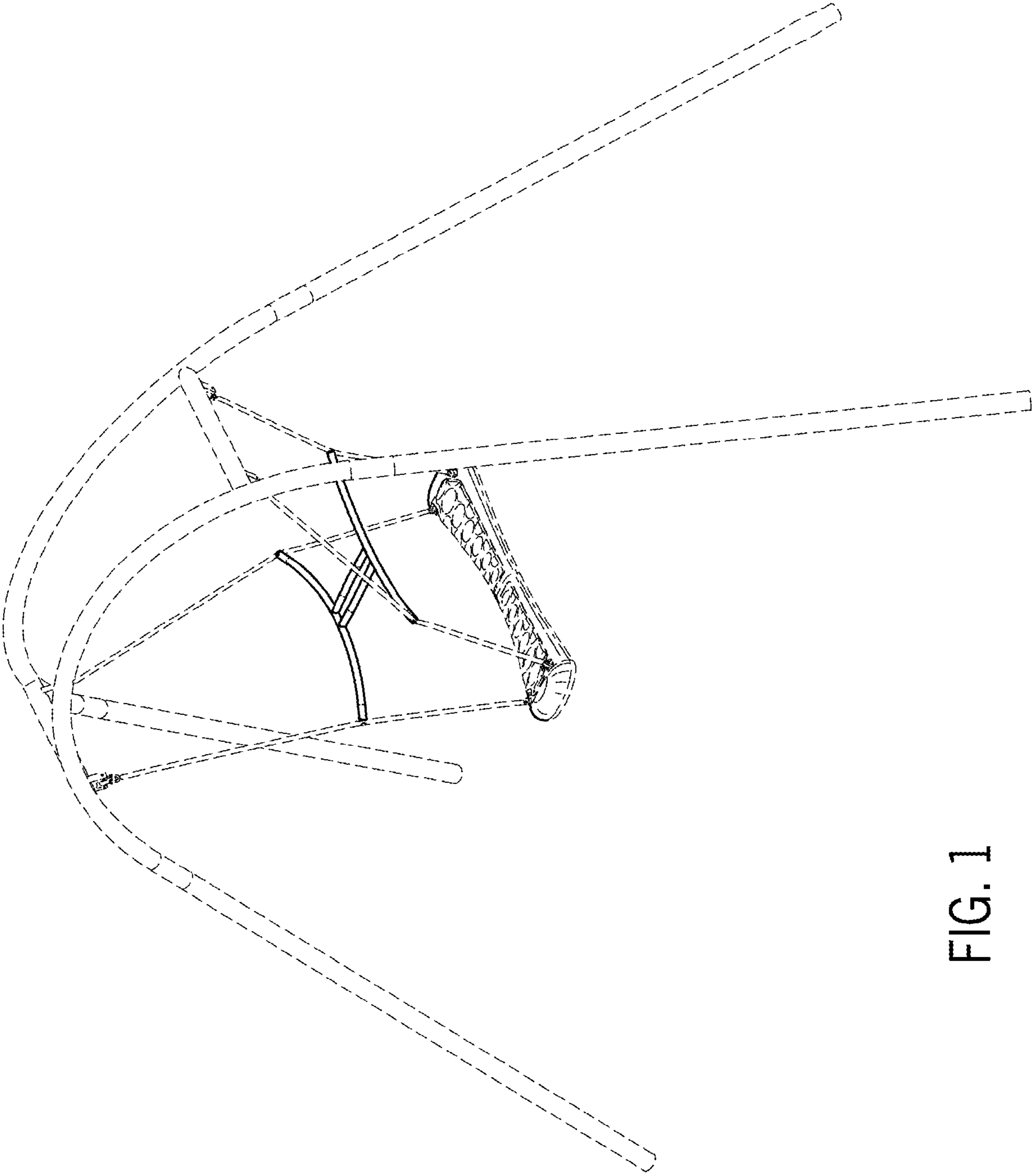


FIG. 1

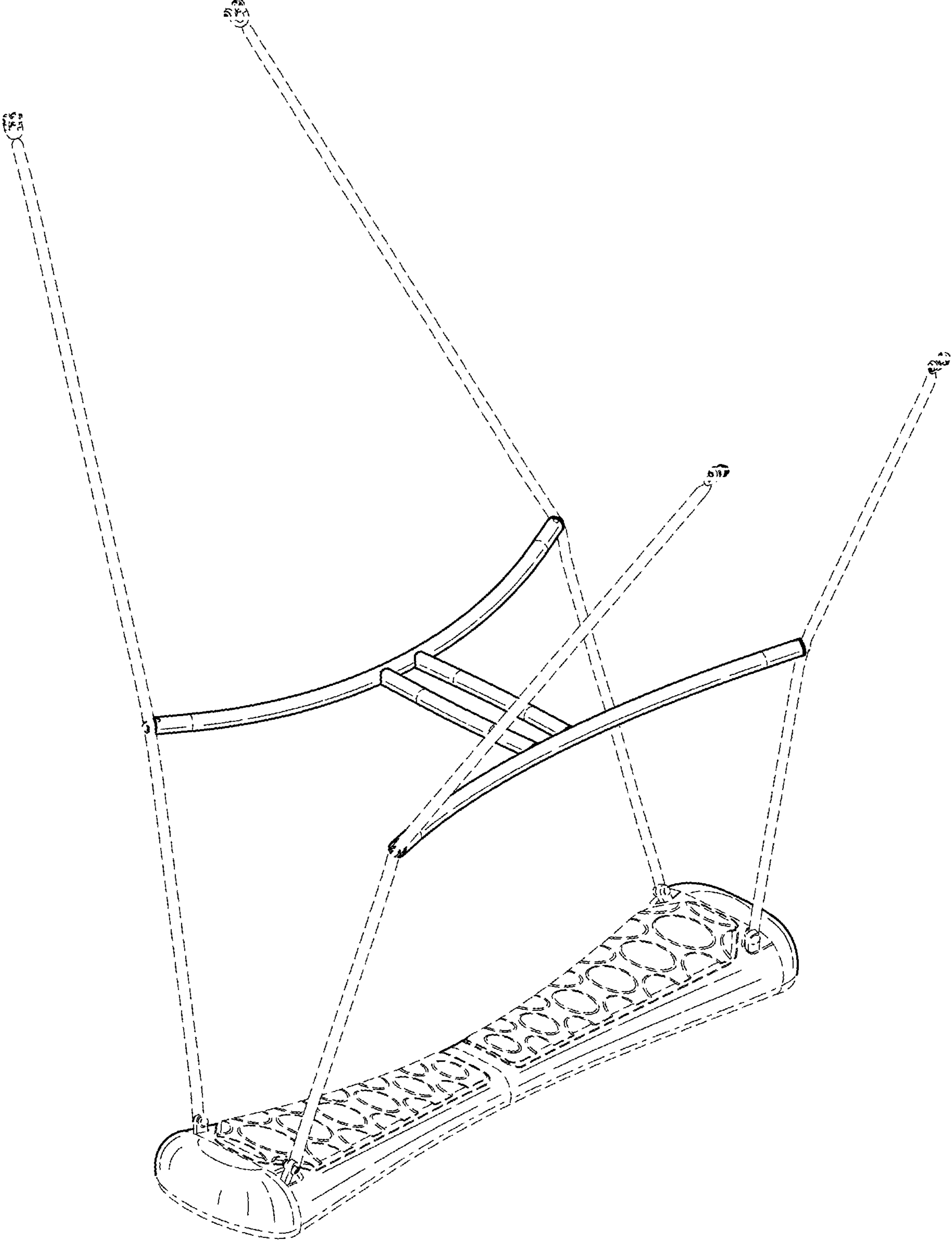


FIG. 2



FIG. 3



FIG. 4

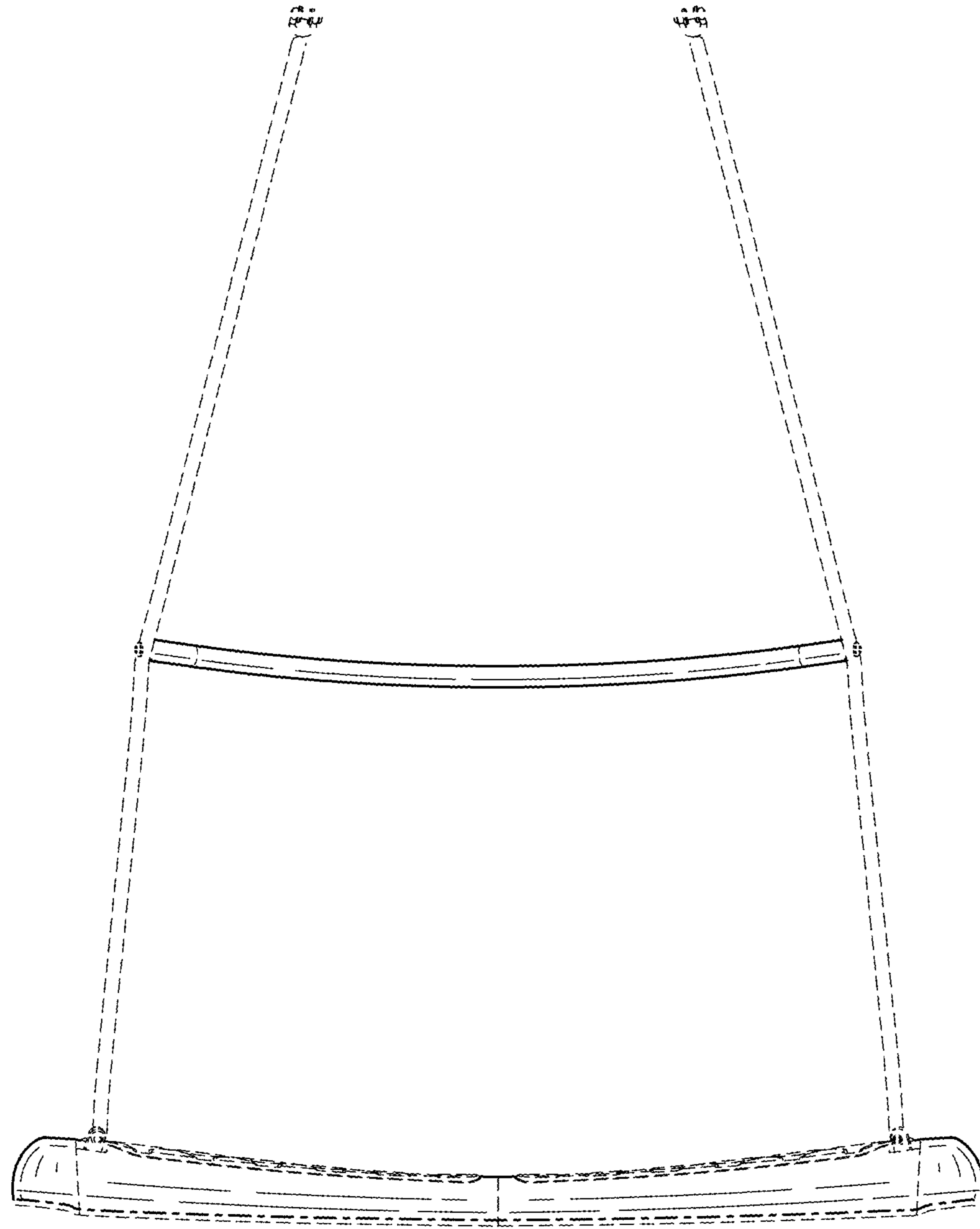


FIG. 5

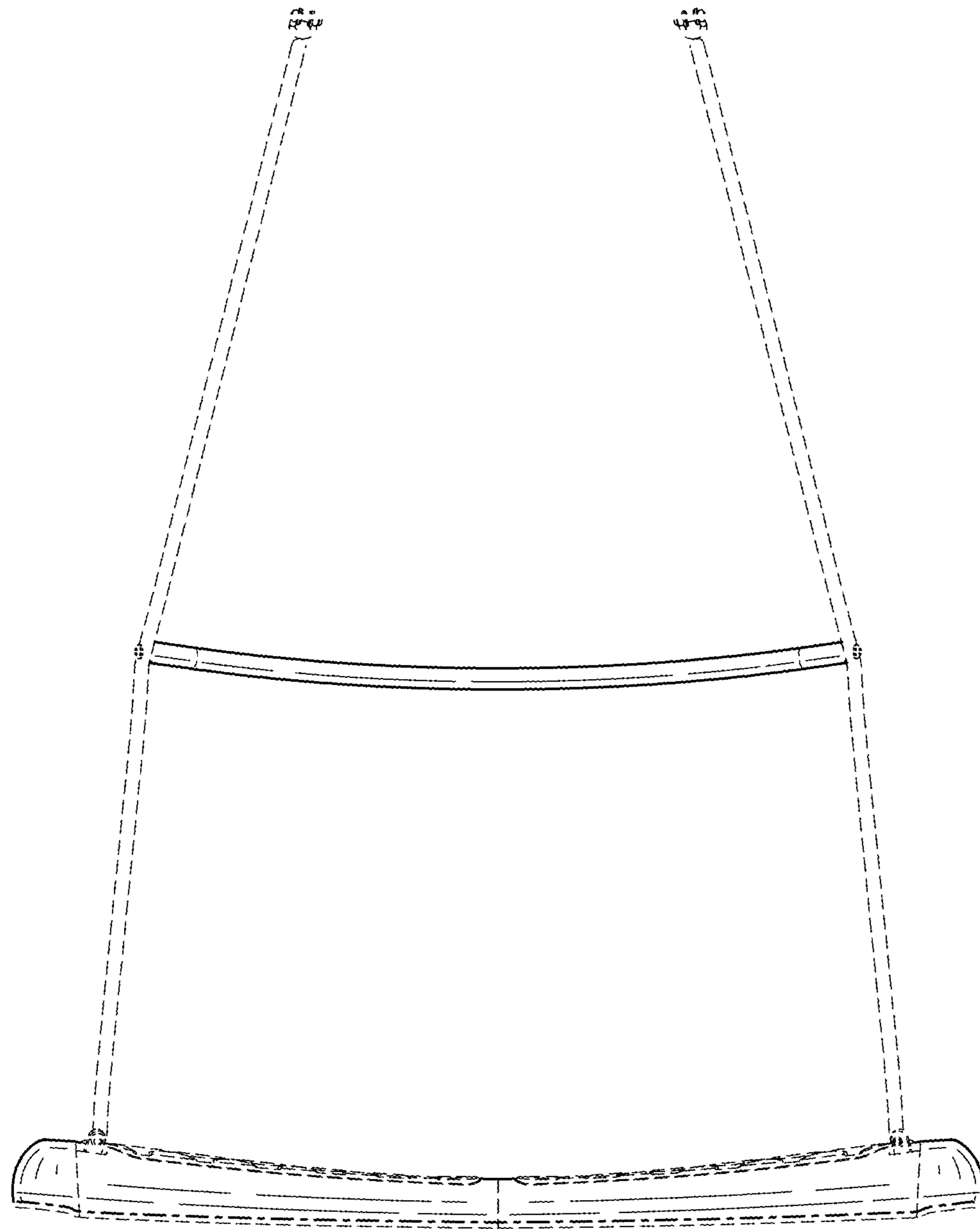


FIG. 6

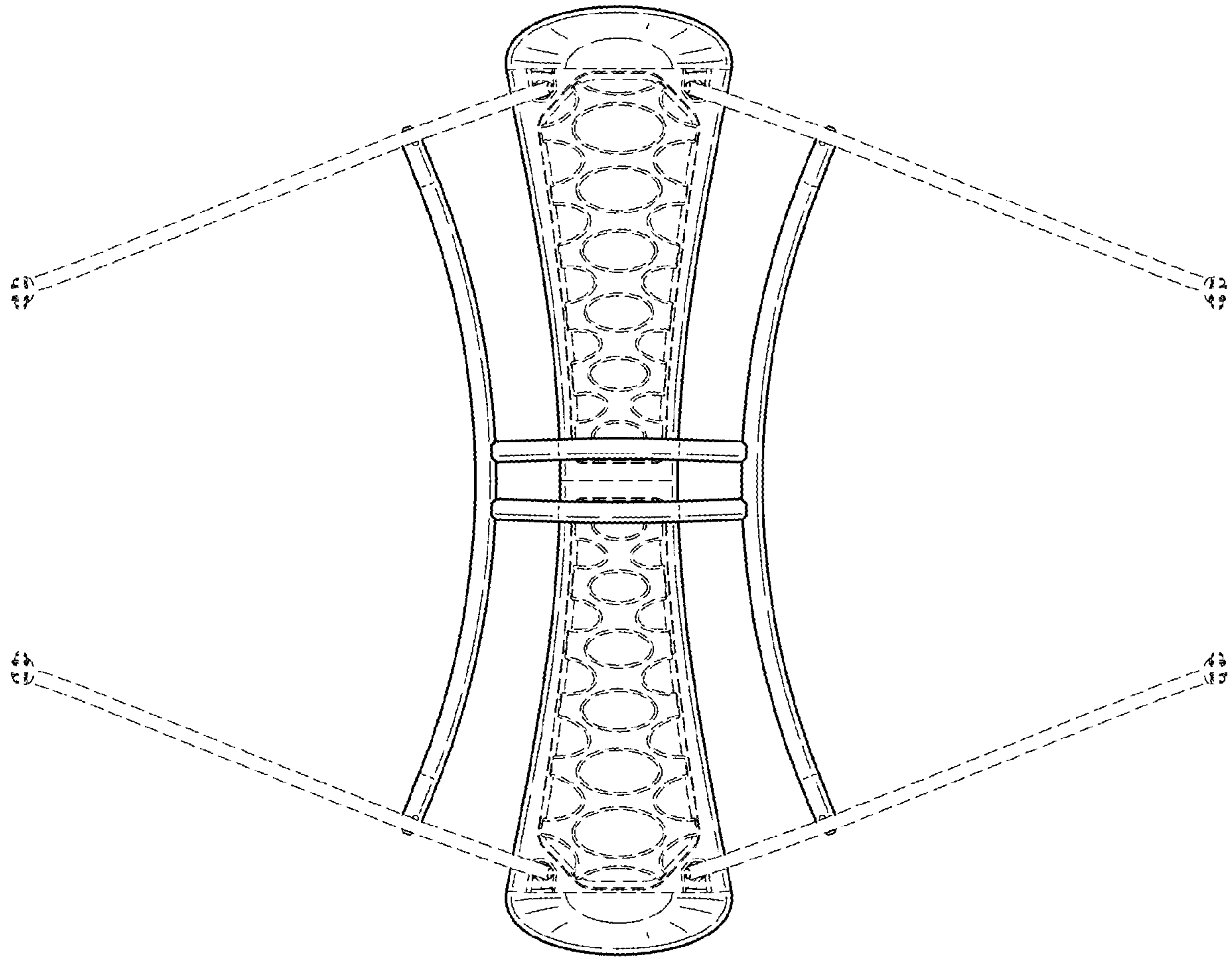


FIG. 7

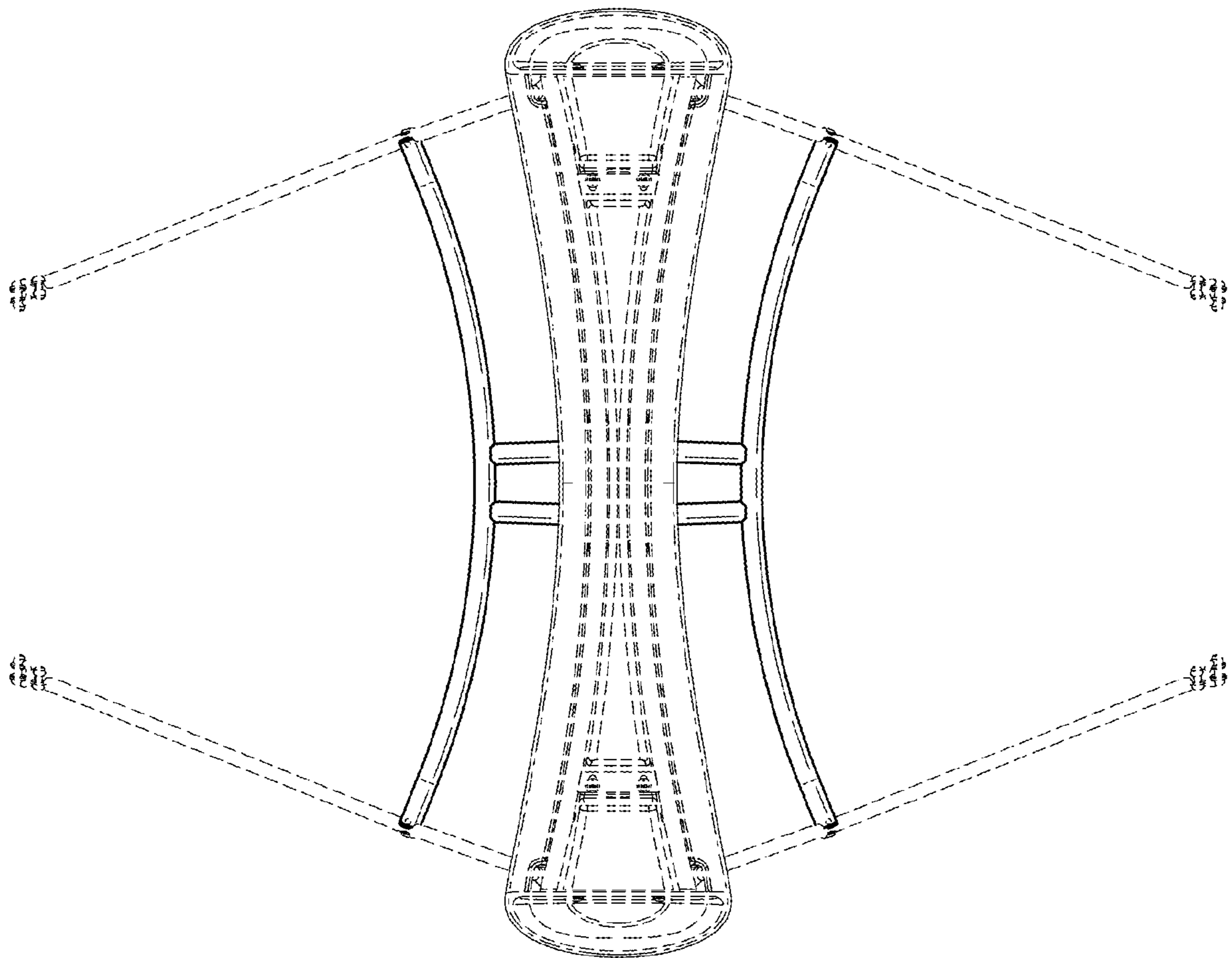


FIG. 8